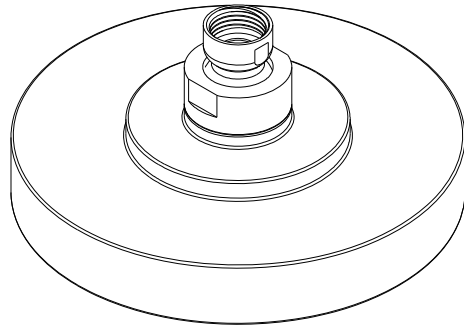
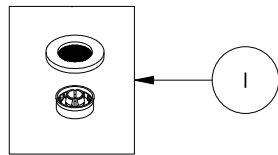


REPLACEMENT PARTS

ITEM	PT/ASSY	SPECIFY FINISH	DESCRIPTION
1	10-327		GASKET & FLOW REGULATOR SUB ASM



CONTEMP. SHOWER HEAD - 5 JETS
2143

REV J EN-4859 08/01/24

NEWPORT BRASS.

t: 949.417.5207 | www.newportbrass.com