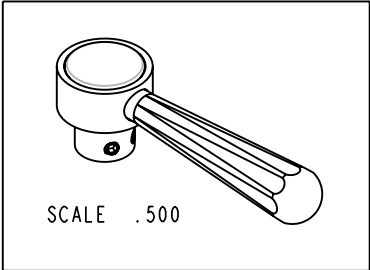
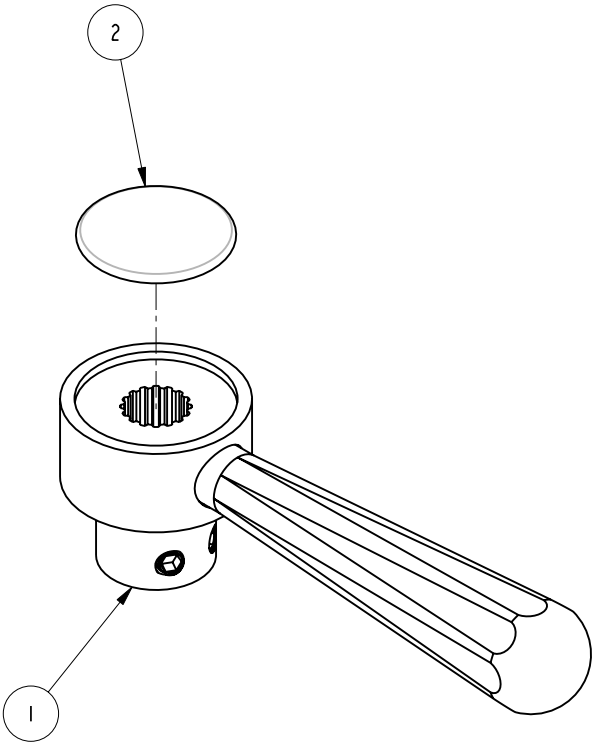


BILL OF MATERIAL (CURRENT LEVEL)				
ITEM	PT/ASSY	DESCRIPTION	TYPE	QTY.
1	2-444	LEVER HANDLE ASM	ASSEMBLY	1
2	1-110	BLANK BUTTON W/ADHESIVE	ASSEMBLY	1



SCALE .500



COPYRIGHT 2005 BRASSTECH, INC. THESE DRAWINGS AND THE DESIGNS DEPICTED HEREIN ARE THE PROPRIETARY PROPERTY OF BRASSTECH. ANY USE OR REPRODUCTION IS SUBJECT TO THE EXPRESS APPROVAL OF BRASSTECH. UNAUTHORIZED USE IS STRICTLY PROHIBITED. ALL RIGHTS RESERVED.

**BRASSTECH**  
INCORPORATED  
2001 E. CARNEGIE AVE.  
SANTA ANA, CA 92705  
(949) 417-5207

LEVER HANDLE ASM

ASSY. NO.	2-574	-	-	-
SCALE	1.000	REF.	-	
SHEET	1	OF	1	
REV		REV DESC	EO-0824	DATE
				04/13/07