

BILL OF MATERIAL (CURRENT LEVEL)

| ITEM | PT/ASSY | DESCRIPTION | TYPE | QTY. |
|------|---------|------------------------------|----------|------|
| 1 | 2-224 | COVERPLATE BP W/DIVERTER | ASSEMBLY | 1 |
| 2 | 2-217 | DIVERTER TRIM KIT | ASSEMBLY | 1 |
| 3 | 3-187H | TRIM KIT - HANDLE/ESCUTCHEON | ASSEMBLY | 1 |
| 4 | 206 | SHOWER ARM FLANGE | PART | 1 |
| 5 | 200 | SHOWER ARM 6" BRASS | PART | 1 |
| 6 | 212 | SHOWER HEAD | ASSEMBLY | 1 |
| 7 | 2-564 | TUB SPOUT | ASSEMBLY | 1 |

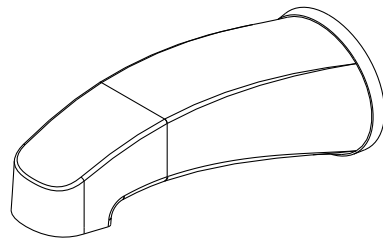
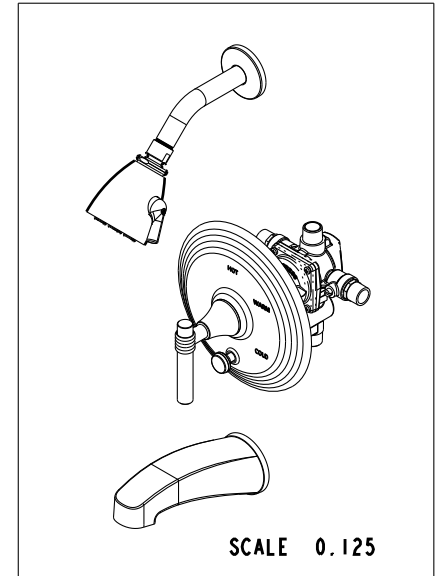
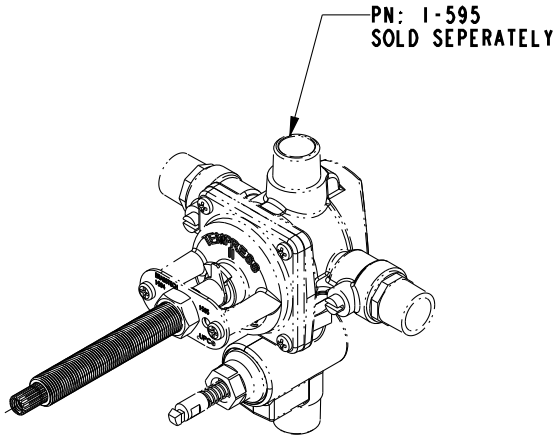
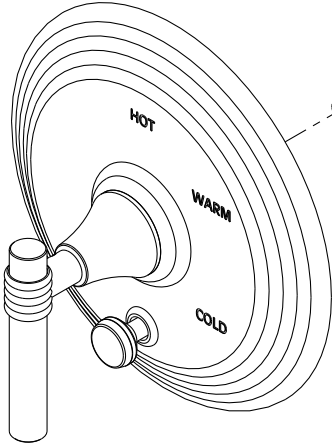
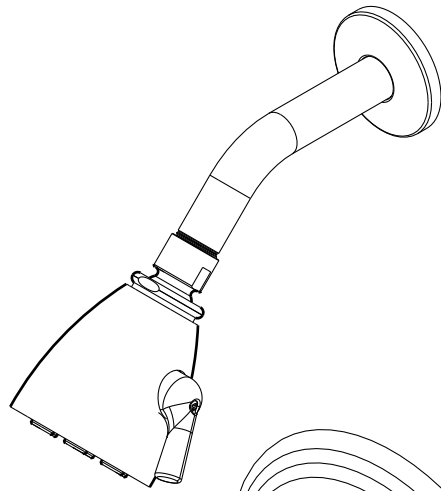
COPYRIGHT 2005 BRASSTECH, INC. THESE DRAWINGS AND THE DESIGNS DEPICTED HEREIN ARE THE PROPRIETARY PROPERTY OF BRASSTECH. ANY USE OR REPRODUCTION IS SUBJECT TO THE EXPRESS APPROVAL OF BRASSTECH. UNAUTHORIZED USE IS STRICTLY PROHIBITED. ALL RIGHTS RESERVED.

BRASSTECH
INCORPORATED
2001 E. CARNEGIE AVE.
SANTA ANA, CA 92705
(949) 417-5207

TRIM KIT (3-902BP)

| | | |
|-----------|----------|----------|
| ASSY. NO. | 3-902BP | |
| SCALE | 0.300 | REF. - |
| SHEET | 1 | OF 3 |
| REV | REV DESC | DATE |
| B | EN-1745 | 08/22/11 |
| A | EN-1183 | 03/23/09 |
| - | RELEASED | - |

SPECIFICATION DWG



DIMENSIONS ARE IN INCHES AND AN APPROXIMATION OF A TYPICAL INSTALLATION

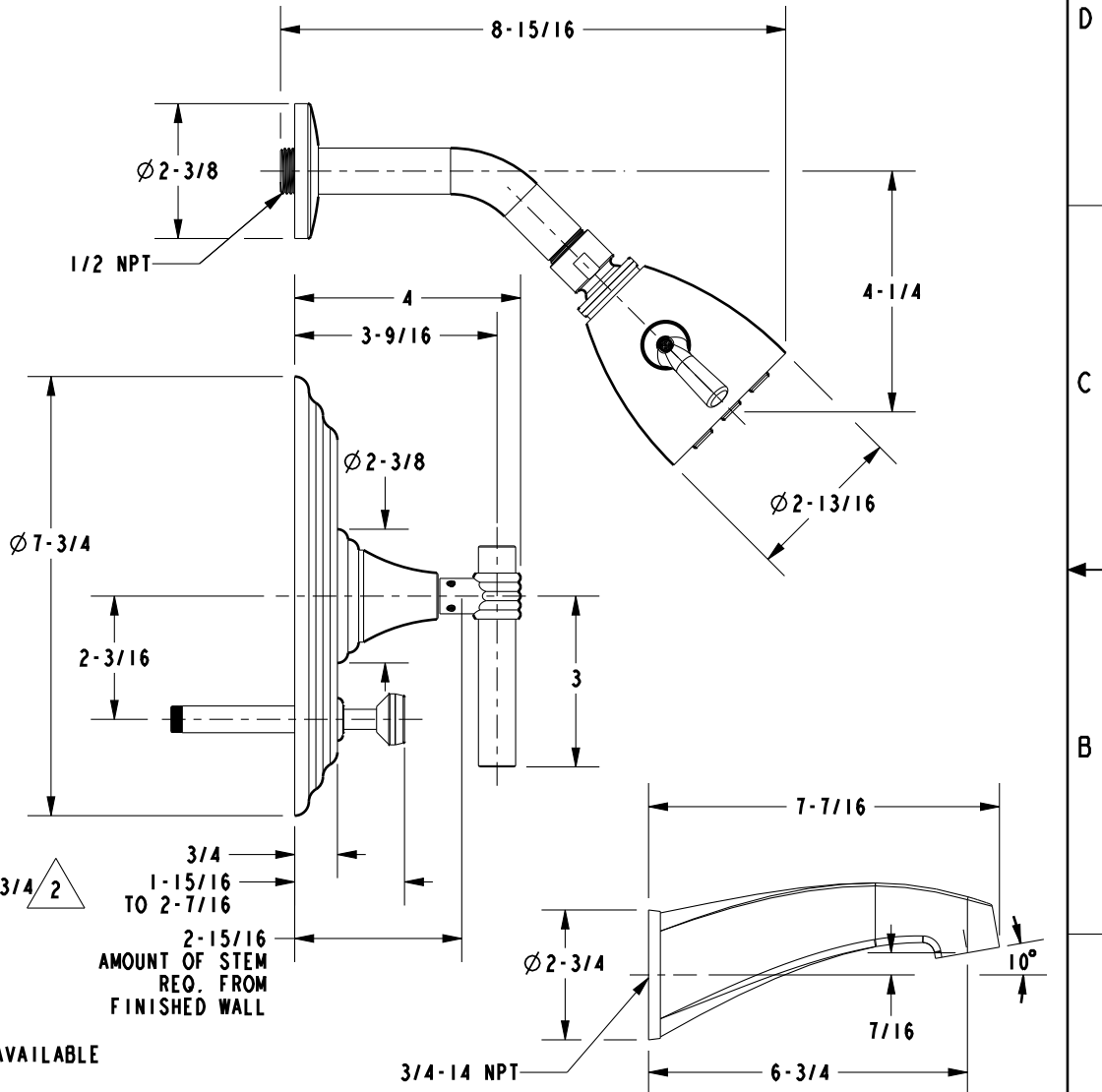
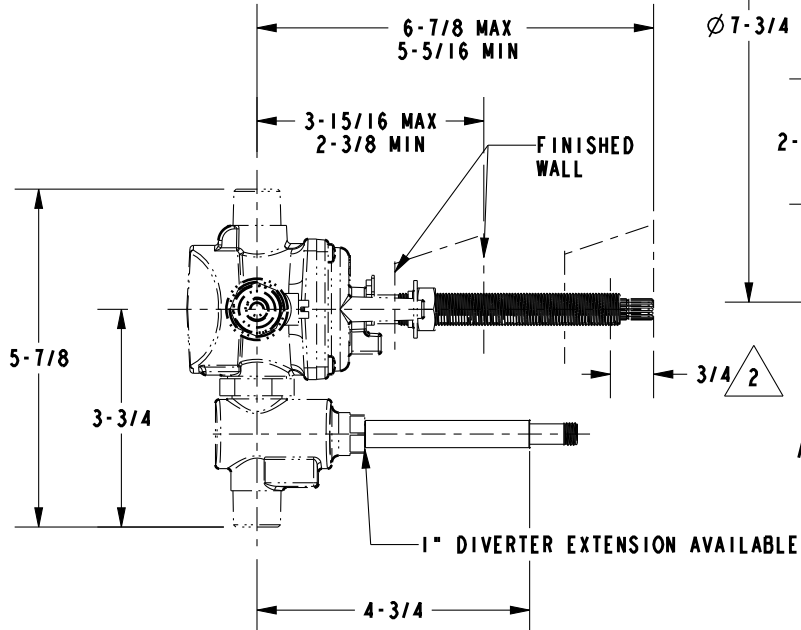
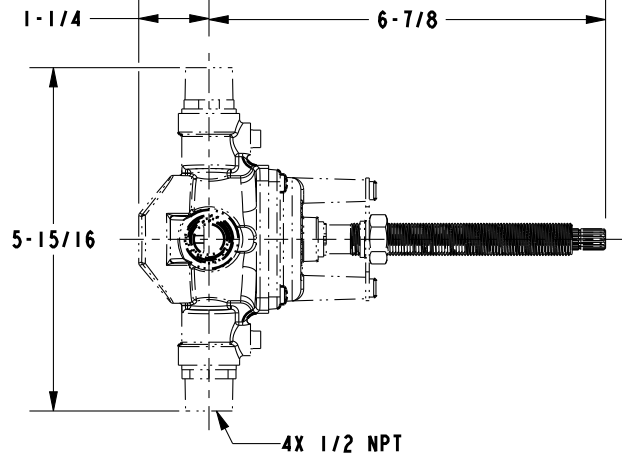
COPYRIGHT 2005 BRASSTECH, INC. THESE DRAWINGS AND THE DESIGNS DEPICTED HEREIN ARE THE PROPRIETARY PROPERTY OF BRASSTECH, INC. ANY USE OR REPRODUCTION IS SUBJECT TO THE EXPRESS APPROVAL OF BRASSTECH, INC. UNAUTHORIZED USE IS STRICTLY PROHIBITED. ALL RIGHTS RESERVED.

| | | | |
|------------------|---------|-----------------------|------|
| BRASSTECH | | 2001 E. CARNEGIE AVE. | |
| INCORPORATED | | SANTA ANA, CA 92705 | |
| | | (949) 417-5207 | |
| DWG NO. | 3-902BP | REV | B |
| SCALE 0.300 | REF. - | SHEET 2 | OF 3 |

SPECIFICATION DWG

NOTES:

- 1. CUT STEM TO DIMENSION SHOWN.
- 2. CUT ALL-THREAD 3/4" SHORTER THAN STEM.



DIMENSIONS ARE IN INCHES AND AN APPROXIMATION OF A TYPICAL INSTALLATION

COPYRIGHT 2005 BRASSTECH, INC. THESE DRAWINGS AND THE DESIGNS DEPICTED HEREIN ARE THE PROPRIETARY PROPERTY OF BRASSTECH. ANY USE OR REPRODUCTION IS SUBJECT TO THE EXPRESS APPROVAL OF BRASSTECH. UNAUTHORIZED USE IS STRICTLY PROHIBITED. ALL RIGHTS RESERVED.

| | | | |
|------------------|--------|-----------------------|--|
| BRASSTECH | | 2001 E. CARNEGIE AVE. | |
| INCORPORATED | | SANTA ANA, CA 92705 | |
| DWG NO. 3-902BP | | REV B | |
| SCALE 0, 300 | REF. - | SHEET 3 OF 3 | |