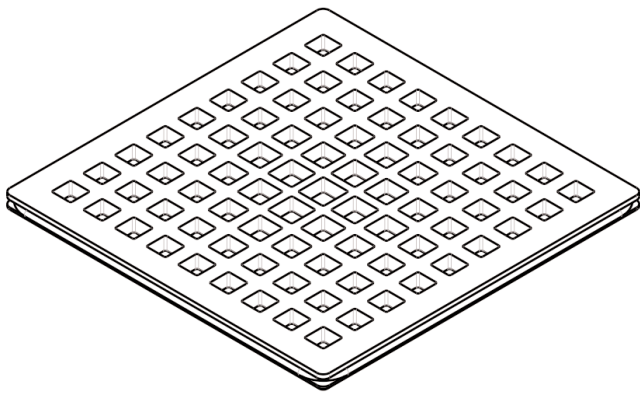


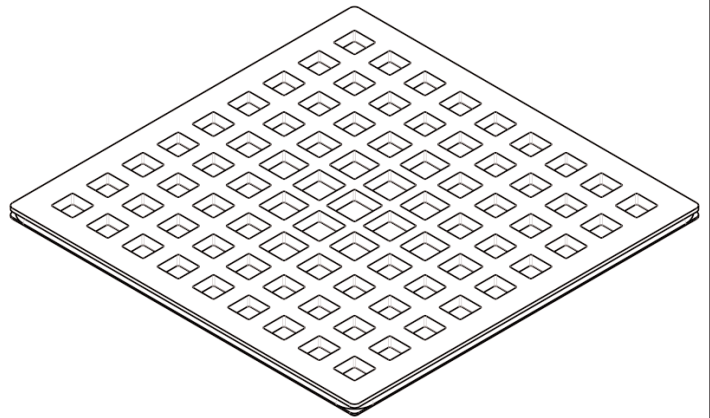
Installation Instructions 4" AND 6" DRAIN GRID

NEWPORT BRASS
Flawless Beauty. From Faucet to Finish.™

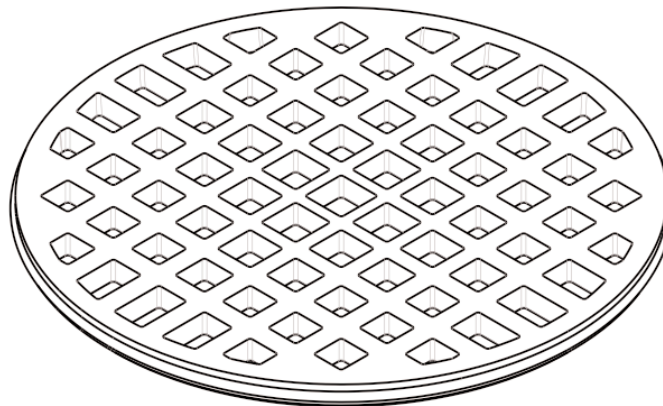
Model No: NWP 233-401, 233-402, 233-403, 233-404, 233-405
233-406, 233-407, 233-408, 243-401, 243-403,
243-404, 243-405, 243-06
NWP 233-601, 233-602, 233-603, 233-604, 233-605
233-606, 233-607, 233-608



233-401



233-601



243-401

2001 CARNEGIE AVE, SANTA ANA CA 92705

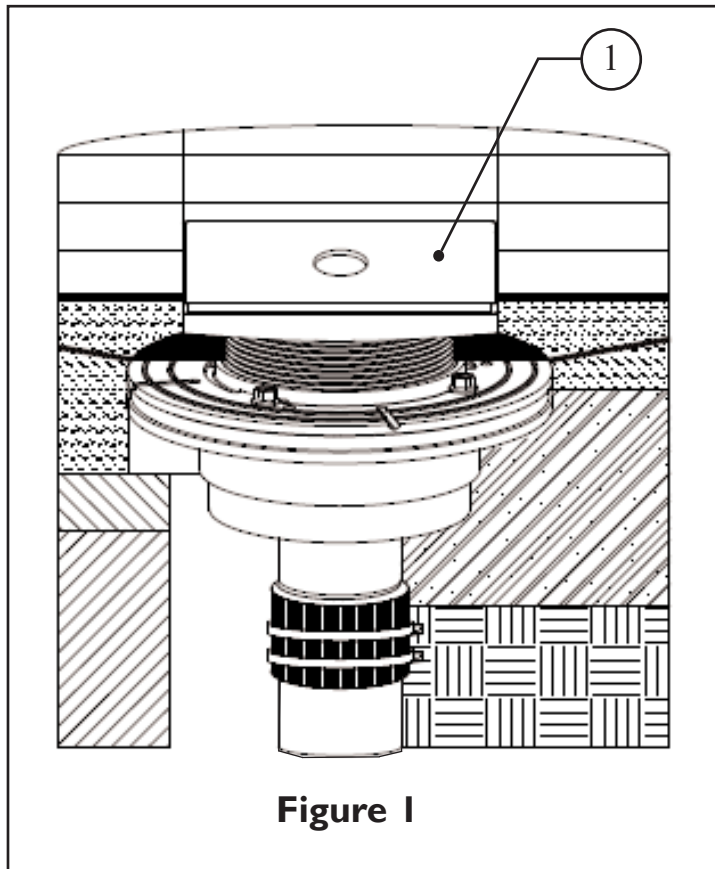
(949) 417-5207

WWW.NEWPORTBRASS.COM

INSTALLATION INSTRUCTIONS

GRID INSTALLATION

1. After completion of finished flooring, remove plastic MUDGUARD [1] by drilling a hole in the center and pull out.(see figure 1)
2. Place decorative DRAIN GRID onto drain THROAT ASSEMBLY [2] (see figure 2).



GRID REMOVAL

Use DRAIN GRID REMOVAL TOOL [3] (included), to remove grid (See figure 3).

