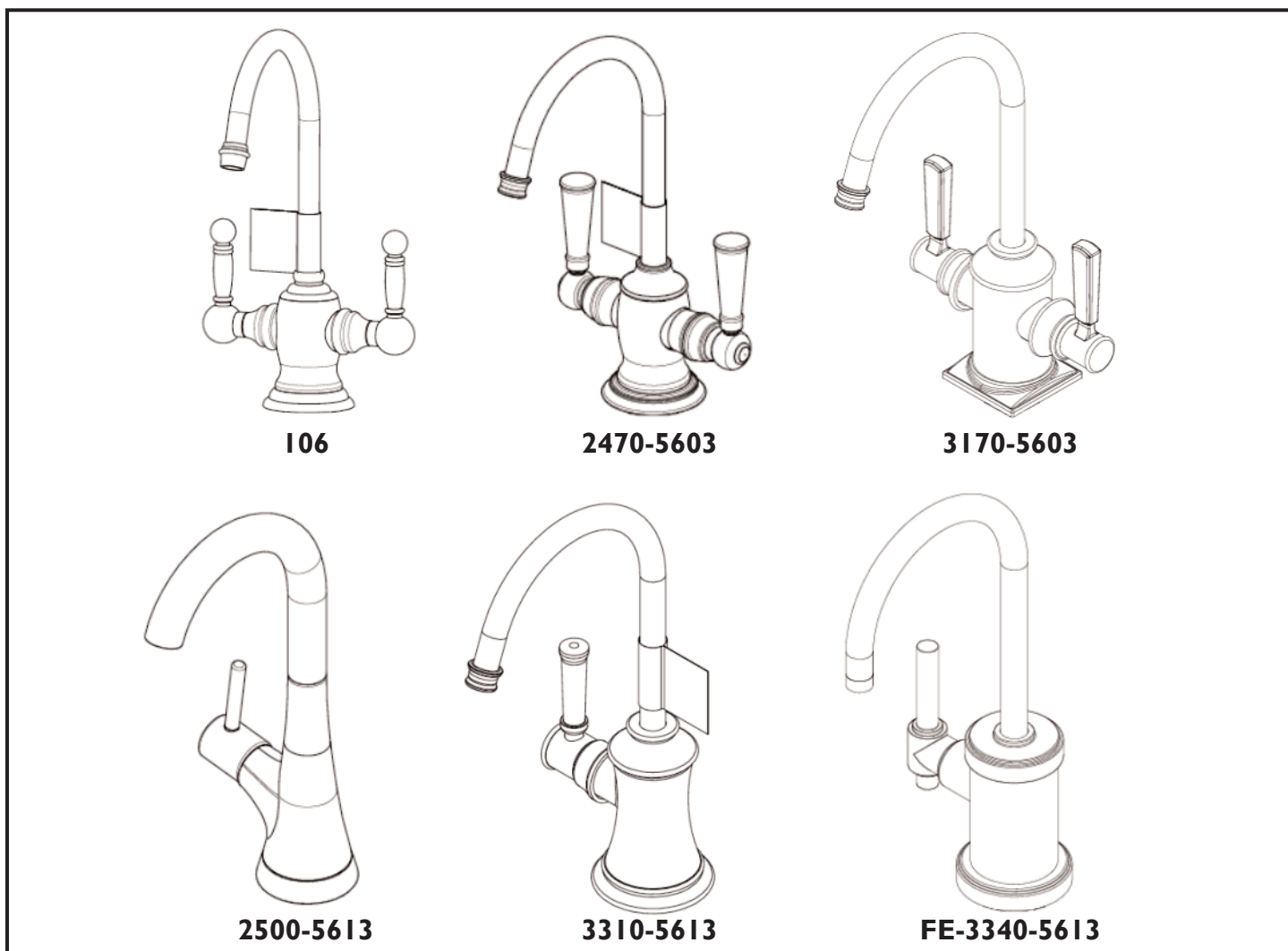


# INSTALLATION INSTRUCTIONS HOT/ COLD WATER DISPENSER

NEWPORT BRASS®

*Flawless Beauty. From Faucet to Finish.™*

Model No's: 106, 107, 108, 1030-5603,  
1200-5603, 2470-5603, 2940-5603, 3160-5603, 3170-5603,  
3180-5603, 3190-5603, 3200-5603, 3210-5603, 3220-5603,  
3290-5603, 3310-5603, FE-3340-5603, 106H, 107H, 108H,  
1030-5613, 1200-5613, 2470-5613, 2500-5613, 2940-5613,  
3160-5613, 3170-5613, 3180-5613, 3190-5613, 3200-5613,  
3210-5613, 3220-5613, 3290-5613, 3310-5613, FE-3340-5613



**Congratulations on the purchase of this  
Brasstech product, an excellent choice that  
will give you years of quality service and  
enhance the look and style of your home.**

## IMPORTANT PRODUCT INFORMATION

Brasstech water dispensers are tested and warrantied only when connected to Brasstech water heater 5-036.

Under normal operation, Brasstech's line of 'Hot' and 'Hot/Cold' water dispensers may drip for a period of up to 15 minutes after each use. This condition originates from the unit's integral hot water tank. It is caused by the thermal expansion of water occurring naturally when cool water is heated in a confined space (the tank). Brasstech dispensers were specifically designed to allow steam or any amount of water expansion to escape through the spout, thus preventing dangerous high pressure from building up inside the tank. This is a safety feature; not to be confused with a defective product.

Lab tests have confirmed that during the heat up cycle, water may leak from the spout for up to 15 minutes after the valve is shut off. This duration varies based on the hot water tank's temperature setting and amount of hot water consumed. Approximate volume of water expansion during the 10-15 minute period is 3-5 ounces.

Although persistent leaking and/or dripping may be caused by a non-conforming cartridge and/or improper assembly, the type of leakage described here (10-15 min., 3-5 oz) can be verified by unplugging the power to the water heater. There should be no leak through the spout after the hot valve is shut off in this manner.

### Recommended Installation by a Professional Plumbing Contractor

Note: The use of petroleum base plumbers putty on our products will nullify the warranty. We recommend the use of clear silicone sealing materials. Recommended deck thru hole  $\varnothing$  1.25" to  $\varnothing$  1.38".

#### I. INSTALLING FAUCET ON SINK (See Figure I)

- Slide the 3 hoses through escutcheon, o-ring, and mounting surface hole.
- Hand tighten Mounting Kit on underside of mounting surface and use a Phillip-head screwdriver to secure into place.

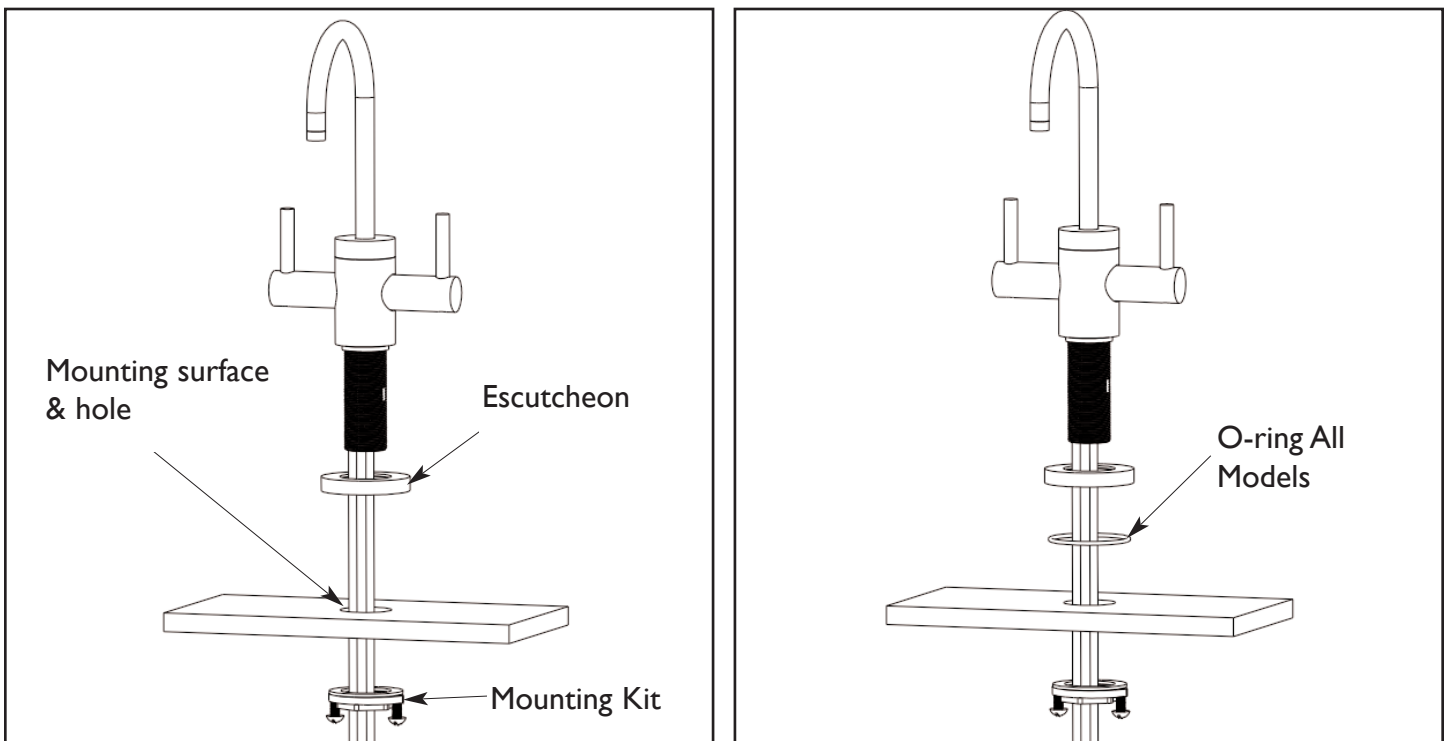


Figure I

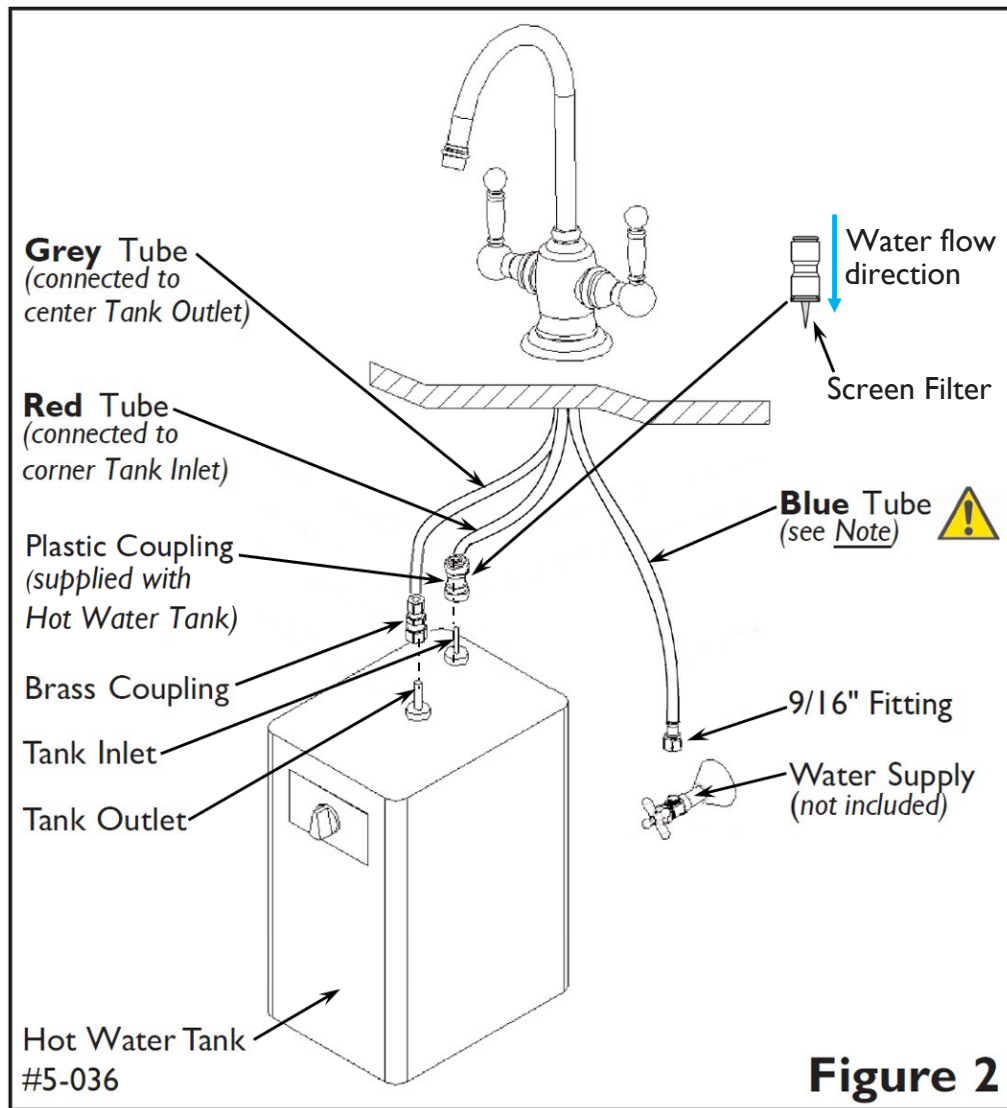
## 2. ATTACHING WATER CONNECTIONS TO WATER SUPPLY AND TANK (See Figure 2)

- Connect **Blue Tube** to the cold Water Supply utilizing the 9/16" Fitting.



**Note:** Do *not* trim Blue Tube and use it with 1/4" compression fitting. Blue Tube can only be trimmed if it is used with a quick-connect fitting that is supplied with Newport Brass Hot Water Tank.

- Trim the **Grey Tube** as short as possible to reduce back pressure, then, connect to the center Tank Outlet utilizing the Brass Coupling.
- Trim and connect the **Red Tube** to the corner Tank Inlet utilizing the Plastic Coupling with screen filter (supplied with Hot Water Tank). Debris Screen Filter protects Hot Water Tank from blockages. Warranty will be void if Plastic Coupling with screen filter is not used.



## 3. TEST INSTALLED FAUCET

- Turn on Water Supply. Rotate the hot handle and hold until the Hot Water Tank fills up, (tank is full when water comes out of the spout). Rotate hot handle to turn water off.
- Check all connections for leaks. Make any final adjustments as required by first turning off the Water Supply to relieve the pressure.
- Plug in the Hot Water Tank, turn Hot Water Tank thermostat control dial clockwise to the highest position, and wait between 10-15 minutes for water to reach its target temperature.