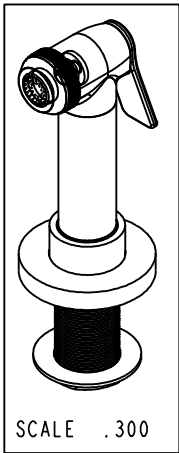


BILL OF MATERIAL (CURRENT LEVEL)				
ITEM	PT/ASSY	DESCRIPTION	TYPE	QTY.
1	2-100	KITCHEN SPRAY HEAD ESCUTCHEON - ASSEMBLY	ASSEMBLY	1
2	10980	SPRAY HANDLE - CONT	PART	1
3	2-119B	SPRAY HEAD ASM	ASSEMBLY	1
4	10451	SPLIT RING	PART	1
5	12021	HOSE, SPRAY, FEMALE CONNECTOR	PART	1
6	91219	WSHR .385 ID X .745 OD X .114 THK, FLT, NSF 61 APR MAT	PART	1
7	91218	WASHER: .295 X .745 X .063	PART	1
8	91543	GUIDE	PART	1
9	10981	BONNET - VEG SPRAY CONT	PART	1
10	50967	NIPPLE -SIDE SPRAY	PART	1
11	50114	MOUNTING NUT-1-1/8-18	PART	1
12	91580	O-RING, 3 X 19MM ID, EPDM, 65-75 DURO	PART	1



COPYRIGHT 2005 BRASSTECH, INC. THESE DRAWINGS AND THE DESIGNS DEPICTED HEREIN ARE THE PROPRIETARY PROPERTY OF BRASSTECH. ANY USE OR REPRODUCTION IS SUBJECT TO THE EXPRESS APPROVAL OF BRASSTECH. UNAUTHORIZED USE IS STRICTLY PROHIBITED. ALL RIGHTS RESERVED.

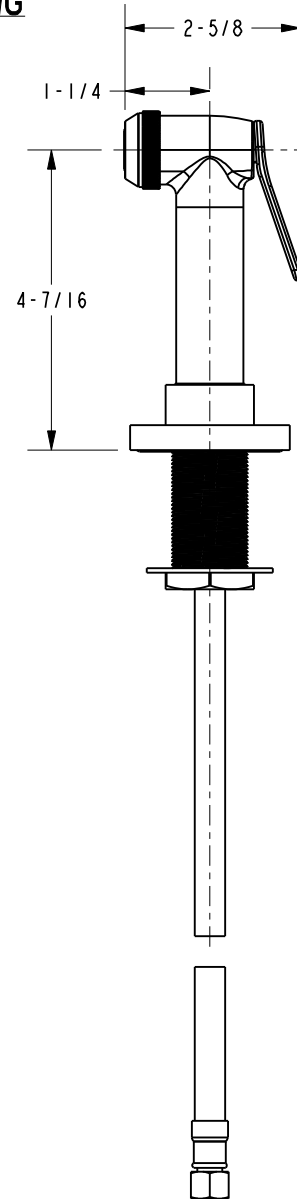
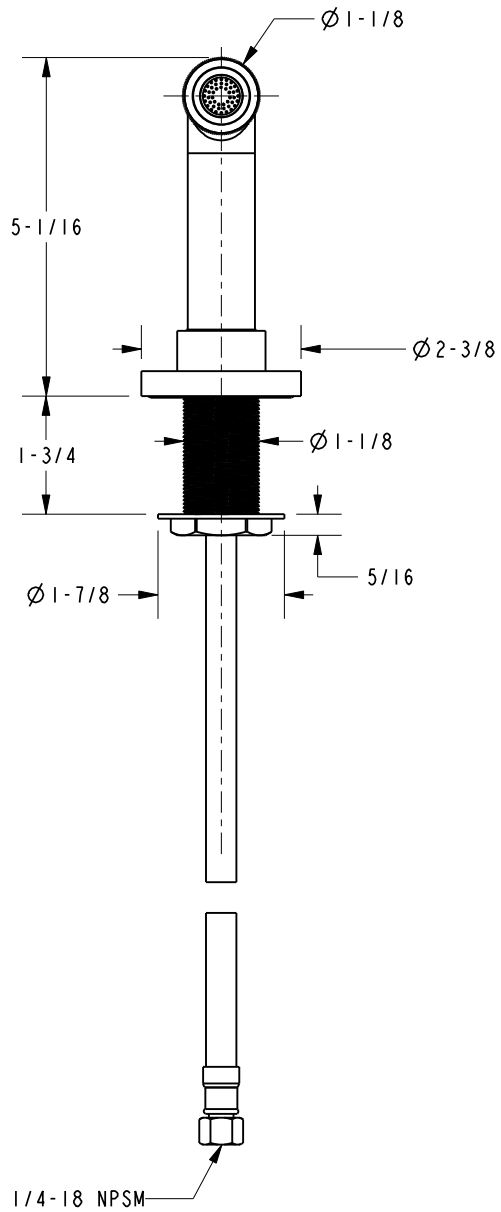
BRASSTECH
INCORPORATED
2001 CARNEGIE AVE.
SANTA ANA, CA 92705
(949) 417-5207

KITCHEN SPRAY HEAD

ASSY. NO.		1291	
SCALE .300	REF. -	SHEET 1 OF 2	REV
			REV DESC
			DATE

C	EN-2160A	09/21/12
B	EN-2160	05/22/12
A	EO-0886	10/02/07
-	RELEASED	-

SPECIFICATION DWG



DIMENSIONS ARE IN INCHES AND AN APPROXIMATION OF A TYPICAL INSTALLATION

COPYRIGHT 2005 BRASSTECH, INC. THESE DRAWINGS AND THE DESIGNS DEPICTED HEREIN ARE THE PROPRIETARY PROPERTY OF BRASSTECH. ANY USE OR REPRODUCTION IS SUBJECT TO THE EXPRESS APPROVAL OF BRASSTECH. UNAUTHORIZED USE IS STRICTLY PROHIBITED. ALL RIGHTS RESERVED.

BRASSTECH		2001 CARNEGIE AVE. SANTA ANA, CA 92705 (949) 417-5207	
DWG NO.	1291	REV	C
SCALE	.350	REF.	-
		SHEET	2 OF 2