

SPECIFICATIONS

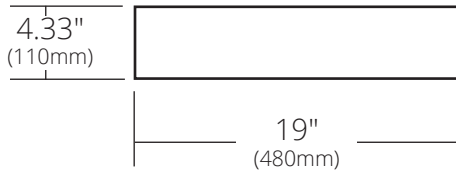
ZACA 48 WALL MOUNT



FRONT VIEW



SIDE VIEW



VNS48S

PRODUCT DETAILS

- 47.75"w x 19"d x 4.33"h (1213mm x 480mm x 110mm)
- Grade 304 Stainless Steel
- Trough sink sold separately

INSTALLATION

- Wall Mount

COORDINATING PRODUCTS

- NativeStone® Trough 4819
- Portola Mirror
- Decorative P-Trap

STANDARDS COMPLIANCE



IMPORTANT

Due to the handcrafted nature of this product, it will vary in finish, texture, hammering, and other details. Dimensions may vary up to .25" (6mm).

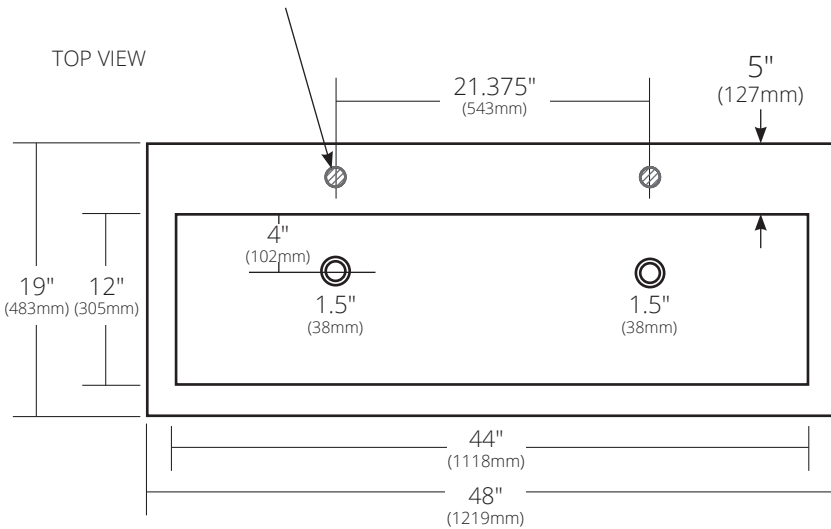
SPECIFICATIONS

TROUGH 4819

NativeStone® Collection



NOTE: These faucet holes do not exist in **no faucet hole** options.



Single Faucet Holes Ⓞ

- NSL4819-A Ash
- NSL4819-S Slate
- NSL4819-P Pearl
- NSL4819-E Earth

No Faucet Hole

- NSL4819-AX Ash
- NSL4819-SX Slate
- NSL4819-PX Pearl
- NSL4819-EX Earth

PRODUCT DETAILS

- 48" x 19" x 5" OD (1219mm x 483mm x 127mm)
- 44" x 12" x 4.25" ID (1118mm x 305mm x 107mm)
- 1.5" (38mm) drain opening
- Handcrafted from sustainable NativeStone®
- Sealed with impermeable nano sealer

INSTALLATION

- Drop-in or Undermount

COORDINATING PRODUCTS

- Drains: DR120, DR130 or DR150
- NativeStone® Sealer

STANDARDS COMPLIANCE

- UPC/cUPC compliant



IMPORTANT

Do NOT use tape or other adhesives on NativeStone® as it may remove the sealer.

Due to the handcrafted nature of this product, it will vary in finish, texture, and other details. Dimensions may vary up to .25" (6mm).

