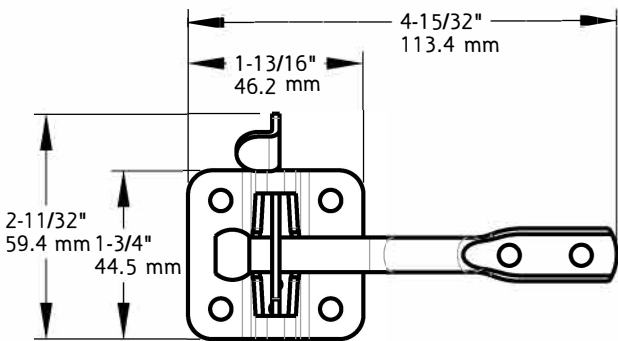
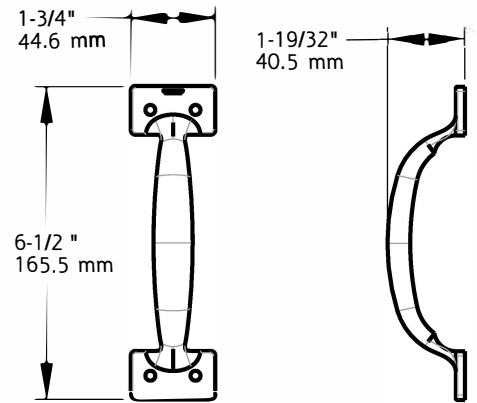
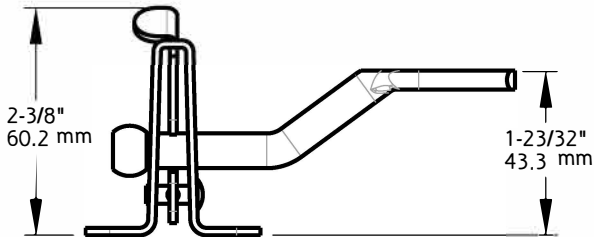


QTY: 2



QTY: 1



QTY: 1

Material: Steel  
Fasteners: (16) #10X1", FH Tapping Screws  
(6), #10X1-1/4", PH Tapping Screws  
(4) #9X1", FH Wood Screws

Revision	<b>1</b>	DO NOT SCALE	<b>V1114</b>	<b>N166-008</b>
Date	<b>JUN 2021</b>	Dimensions are nominal and subject to change.	Family Name	SKU
		©2021 Spectrum Brands, Inc.	<b>GALVANIZED GATE KIT</b>	
			Description	