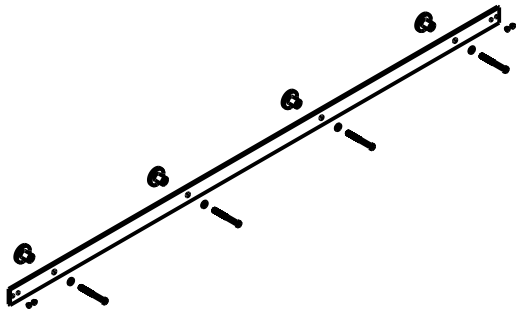


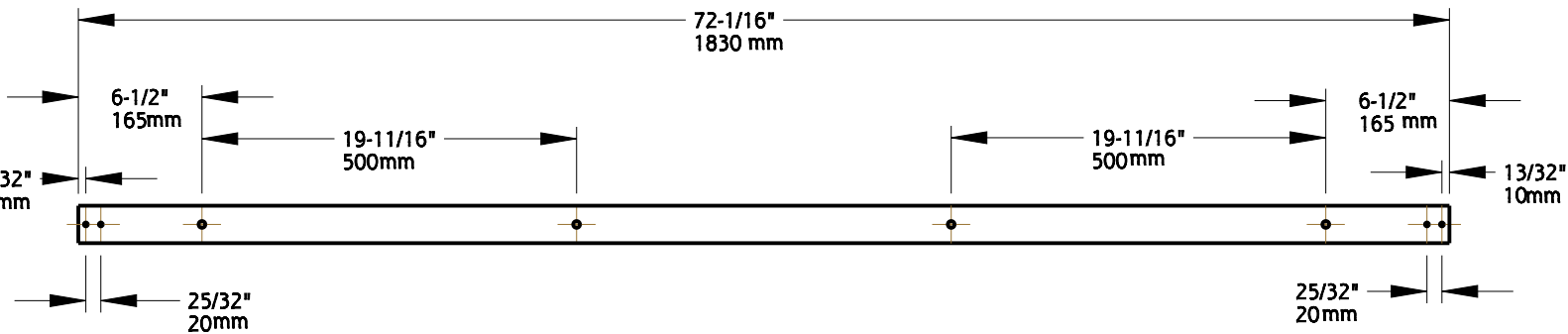
N700-006	BRUSHED GOLD
N700-005	MATTE BLACK
SKU NO.	FINISH

Material: Steel
Finish: See Table

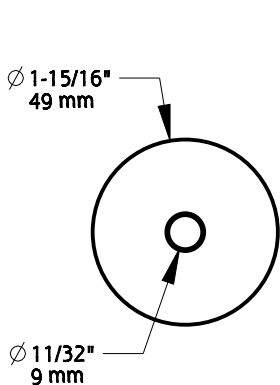
1	DO NOT SCALE	927	See Table
Revision	Dimensions are nominal and subject to change. ©2017 Spectrum Brands, Inc.	Family Name	SKU
Date		72IN DESIGNER IBD KIT	
JULY 2020		Description	



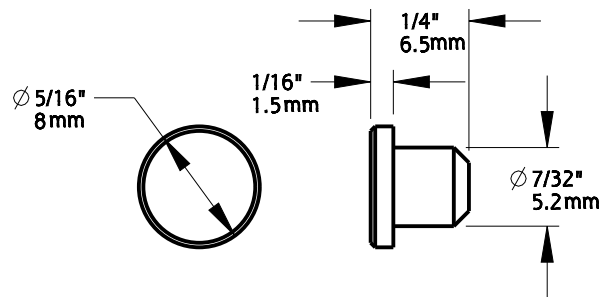
1/4"
6mm



Track



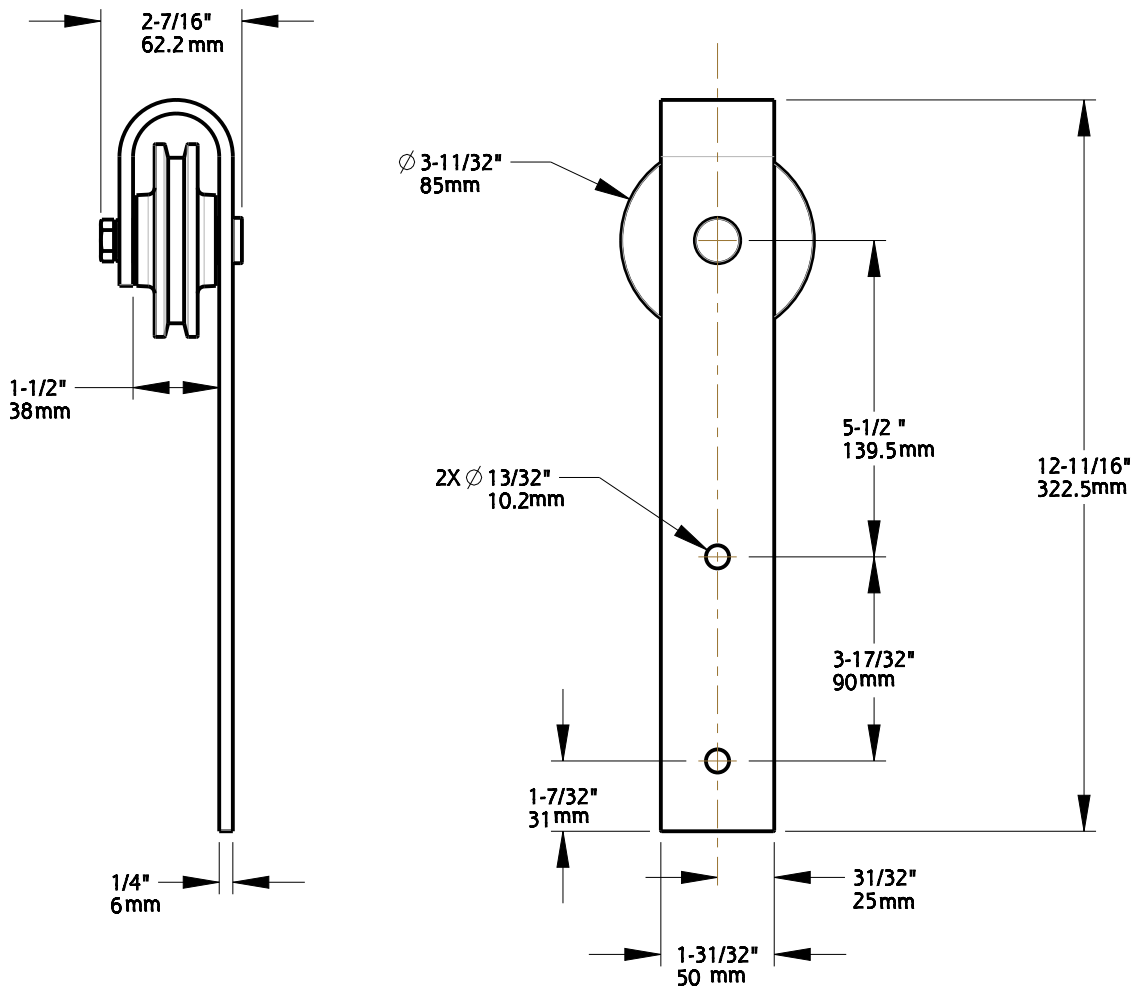
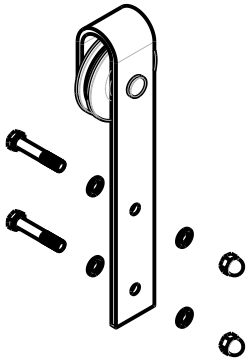
Spacer



Hole cap

Fasteners: (4) Hex Screw, M8 x 3-1/2" Long
(4) Washer, M8
(4) Spacer
(4) Hole cap

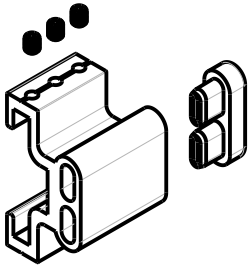
Revision	1	DO NOT SCALE	927	See Table
Date	JULY 2020	Dimensions are nominal and subject to change.	Family Name	SKU
		©2017 Spectrum Brands, Inc.	72IN DESIGNER IBD KIT	
			Description	



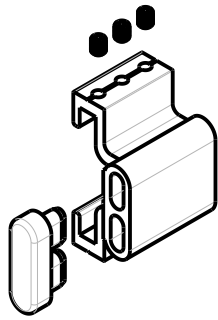
Hanger

Fasteners: (2) Hex Screw, M10x2-1/6" Long
(4) Washer, M10
(2) Nut, M10

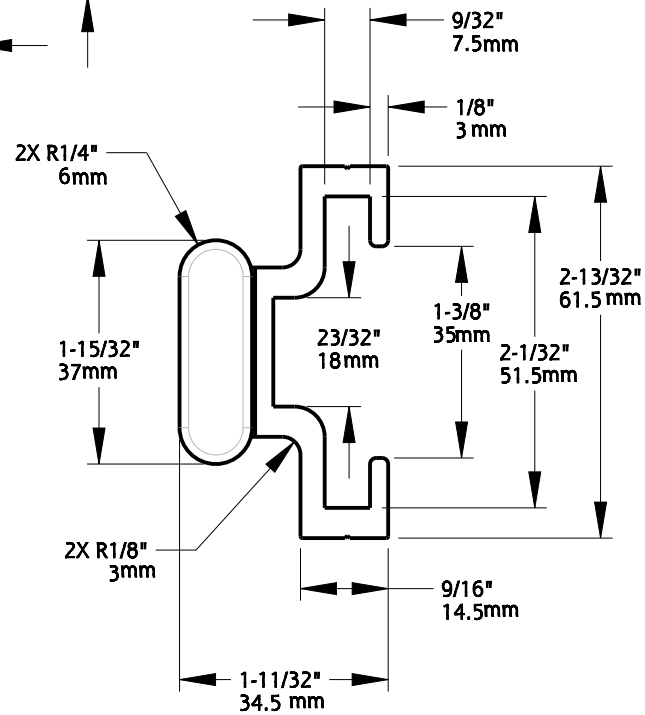
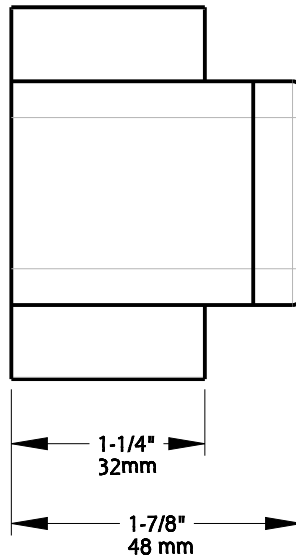
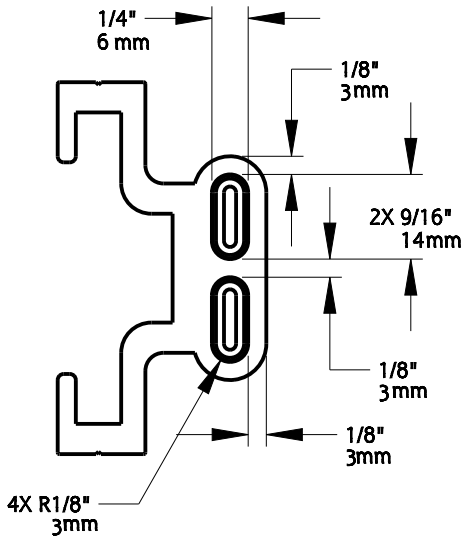
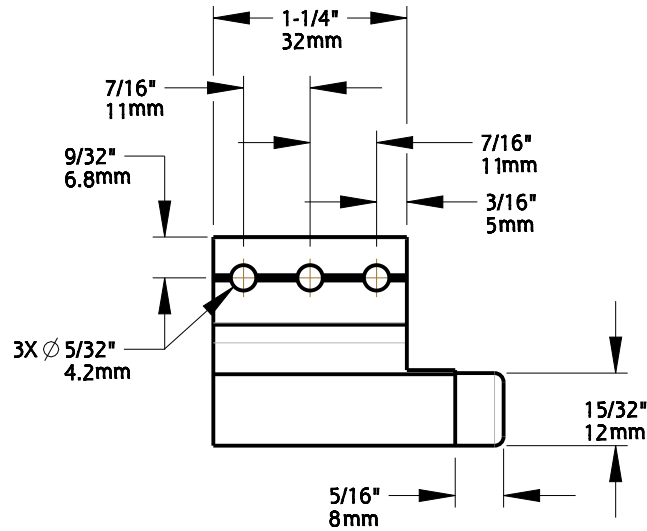
<p>Revision</p> <p style="text-align: center;">1</p>	<p style="text-align: center;">DO NOT SCALE</p> <p style="text-align: center;">Dimensions are nominal and subject to change.</p>	<p style="text-align: center;">927</p> <p>Family Name</p>	<p style="text-align: center;">See Table</p> <p>SKU</p>
<p>Date</p> <p style="text-align: center;">JULY 2020</p>	<p>©2017 Spectrum Brands, Inc.</p>	<p style="text-align: center;">72IN DESIGNER IBD KIT</p> <p>Description</p>	



Left-Sided Door stops



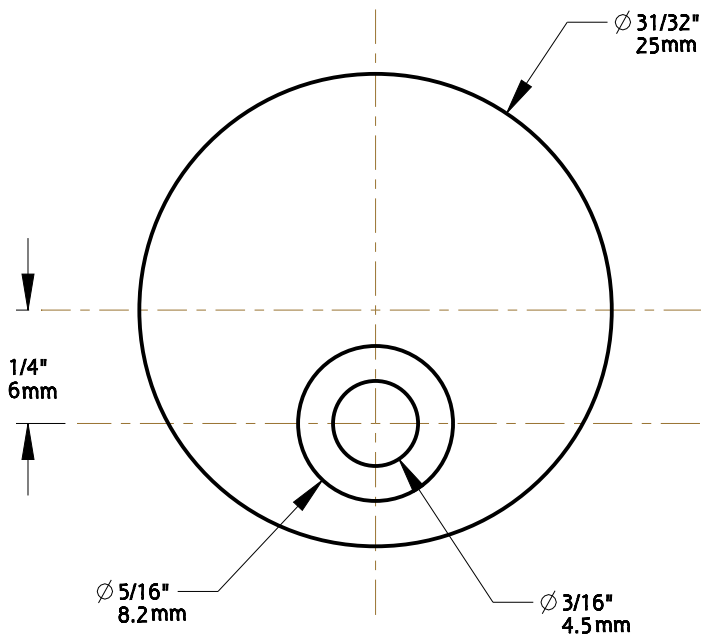
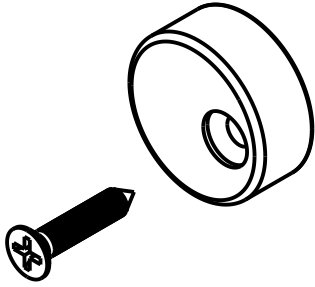
Right-Sided Door stops



Door stops

Fasteners (per door stop):
(3) Set Screw, M5x1/4" Long

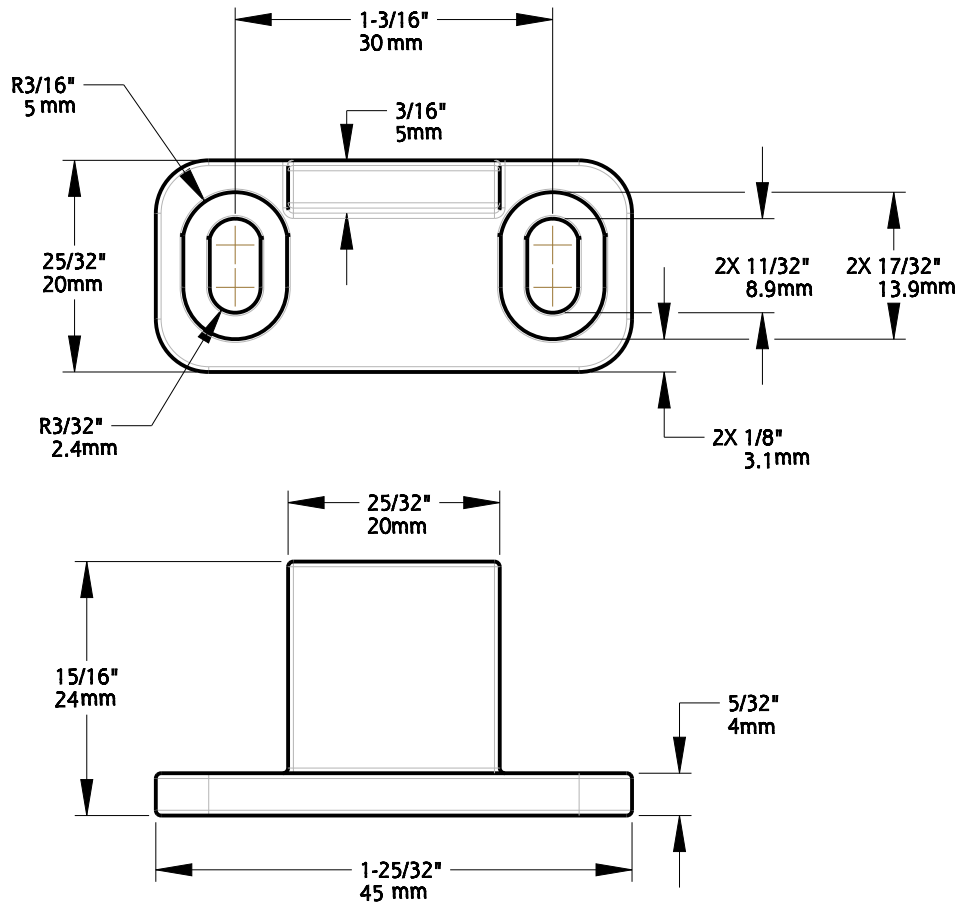
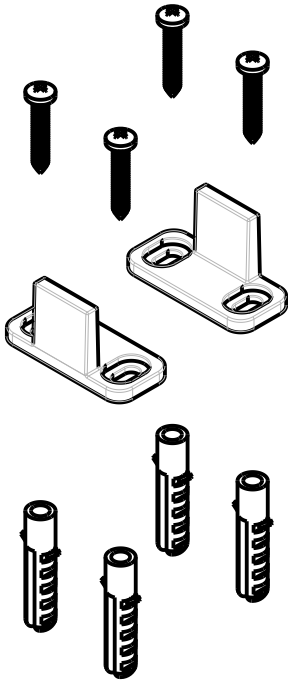
Revision	1	DO NOT SCALE	927	See Table
Date	JULY 2020	Dimensions are nominal and subject to change.	Family Name	SKU
		©2017 Spectrum Brands, Inc.	72IN DESIGNER IBD KIT	
			Description	



Anti-Jump Disc

Fasteners: (1) Screw, M4x3/4" Long, Self tapping

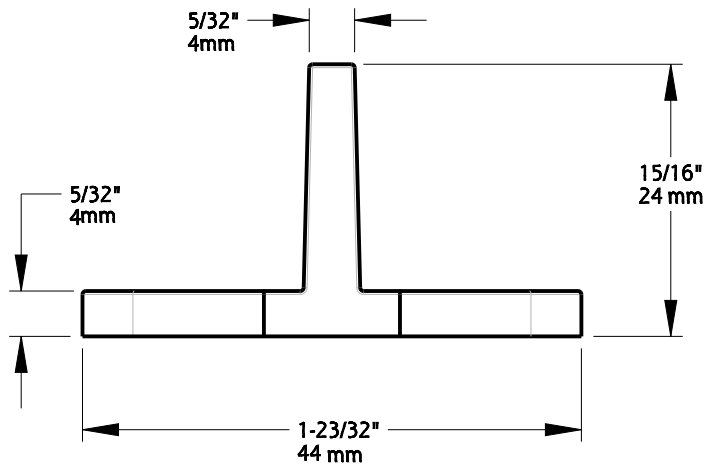
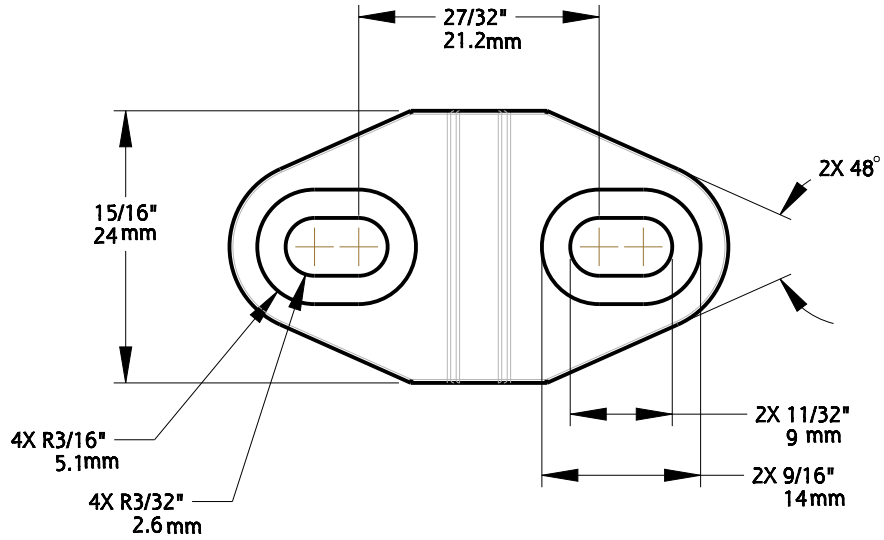
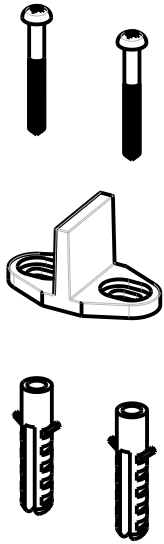
Revision	1	DO NOT SCALE	927	See Table
		Dimensions are nominal and subject to change.	Family Name	SKU
Date	JULY 2020	©2017 Spectrum Brands, Inc.	72IN DESIGNER IBD KIT	
			Description	



Double Floor Guide

Fasteners: (4) Phillips Screw, 5/32" x 1-3/8" Long, Self tapping
(4) Anchor, 1-1/2" Long, Plastic

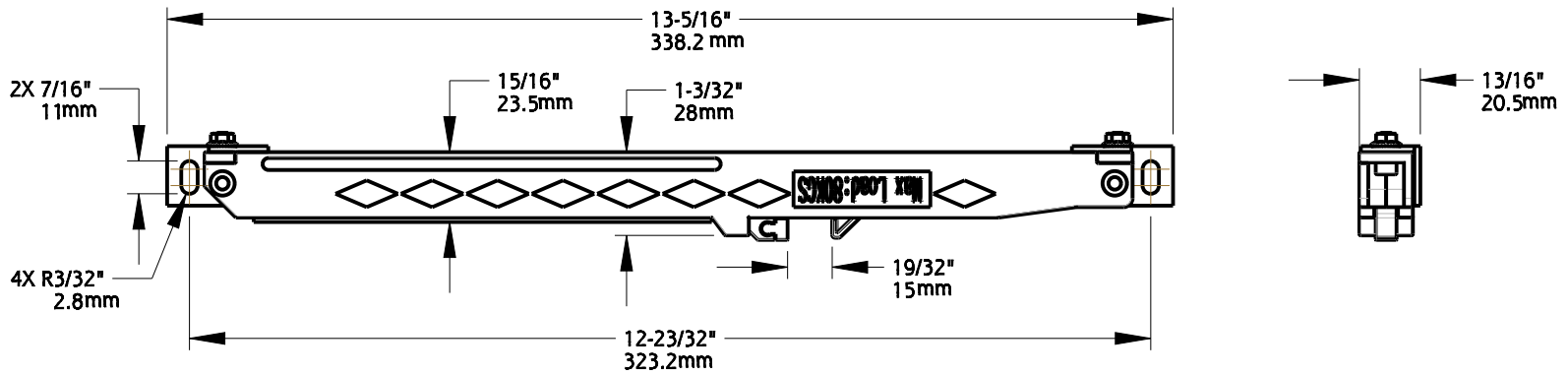
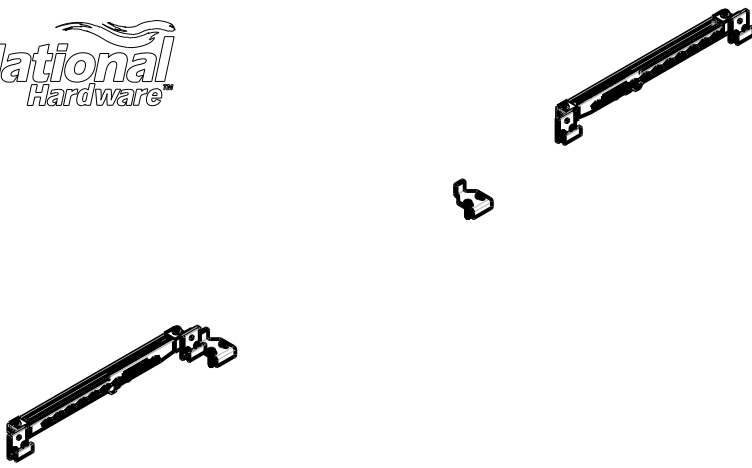
Revision 1	DO NOT SCALE Dimensions are nominal and subject to change.	Family Name 927	SKU See Table
Date JULY 2020	©2017 Spectrum Brands, Inc.	Description 72IN DESIGNER IBD KIT	



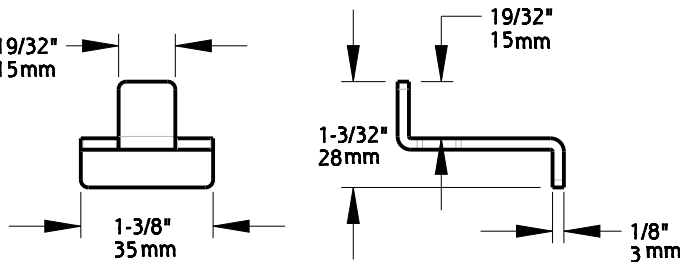
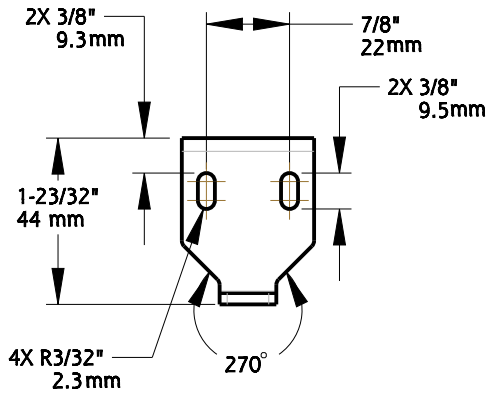
Single Floor Guide

Fasteners: (2) Phillips Screw, 5/32" x 1-3/8" Long, Self tapping
(2) Anchor, 1-1/2" Long, Plastic

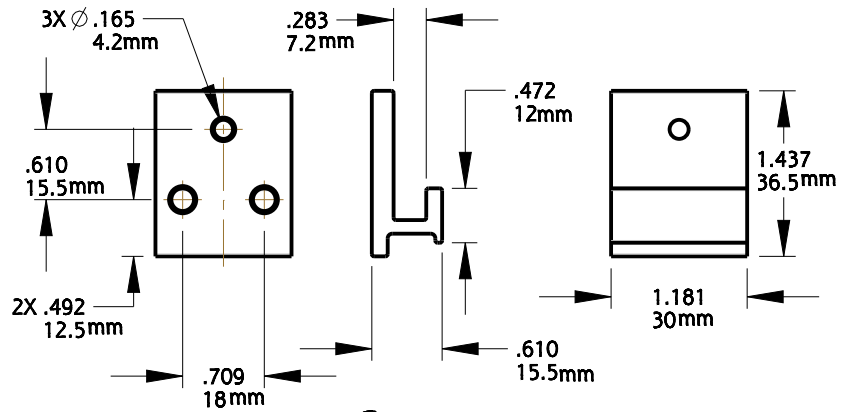
Revision 1	DO NOT SCALE Dimensions are nominal and subject to change.	Family Name 927	See Table SKU
Date JULY 2020	©2017 Spectrum Brands, Inc.	Description 72IN DESIGNER IBD KIT	



Soft Closer Assembly



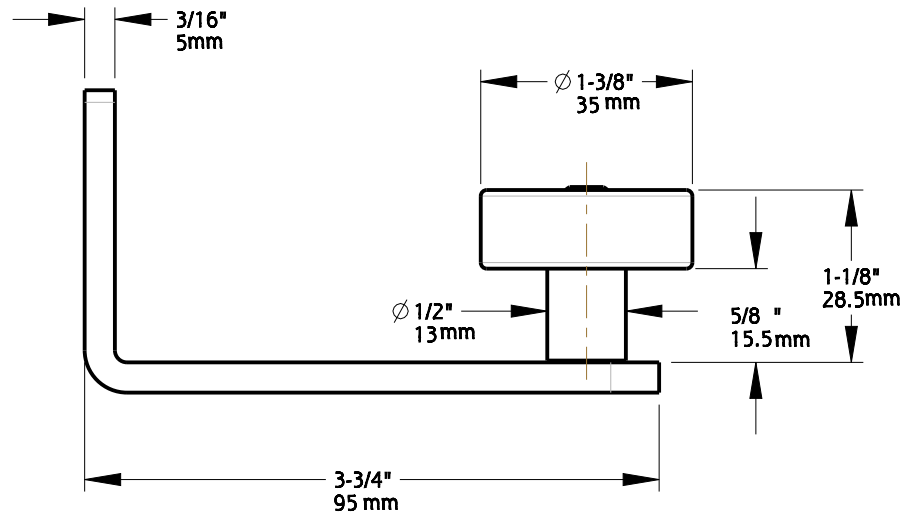
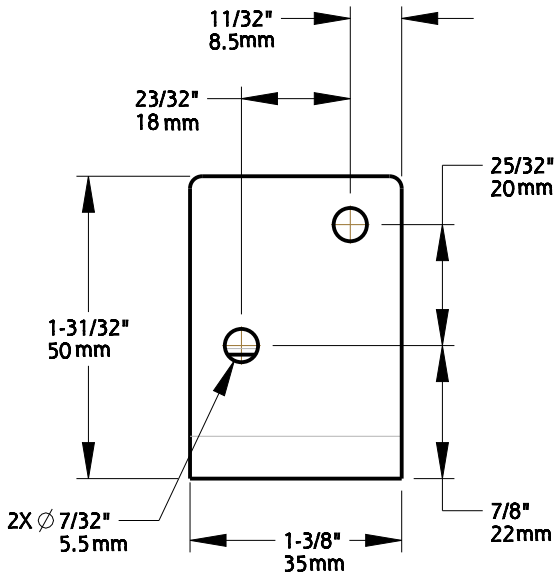
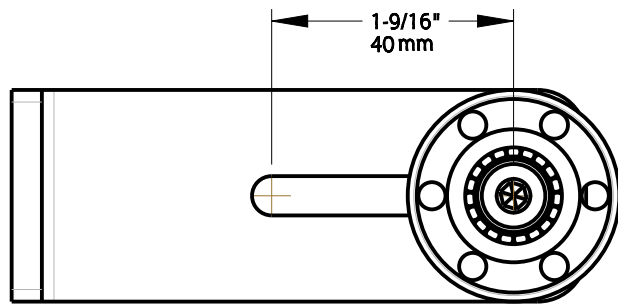
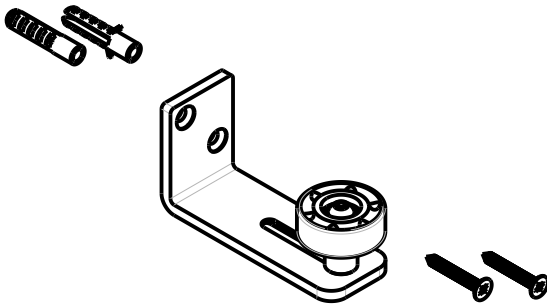
Actuator



Connector

Fasteners (per one closer assembly):
 (4) Set screw, M6 x 1/5" Long for Connector
 (2) Screw, M5x1/4" Long for Connector
 (2) Screw, M8 x 1" Long for Actuator

Revision	1	DO NOT SCALE	927	See Table
Date	JULY 2020	Dimensions are nominal and subject to change.	Family Name	SKU
		©2017 Spectrum Brands, Inc.	72IN DESIGNER IBD KIT	
			Description	



Wall mount Guide

Fasteners: (2) Screw, M4.8 x 1-1/4" Long, Self tapping
(2) Anchor, 1-4/7" Long, Plastic

<p>Revision</p> <p style="text-align: right;">1</p>	<p>DO NOT SCALE</p> <p>Dimensions are nominal and subject to change.</p>	<p>Family Name</p> <p style="text-align: right;">927</p>	<p>SKU</p> <p style="text-align: right;">See Table</p>
<p>Date</p> <p style="text-align: center;">JULY 2020</p>	<p>©2017 Spectrum Brands, Inc.</p>	<p>Description</p> <p style="text-align: center;">72IN DESIGNER IBD KIT</p>	