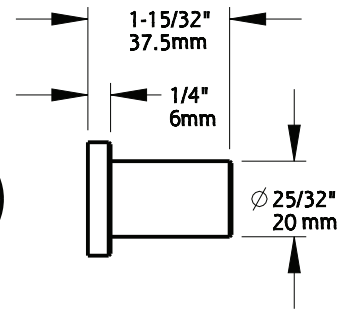
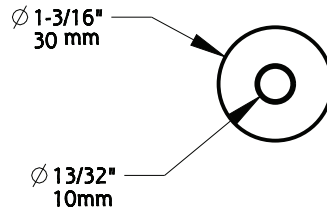
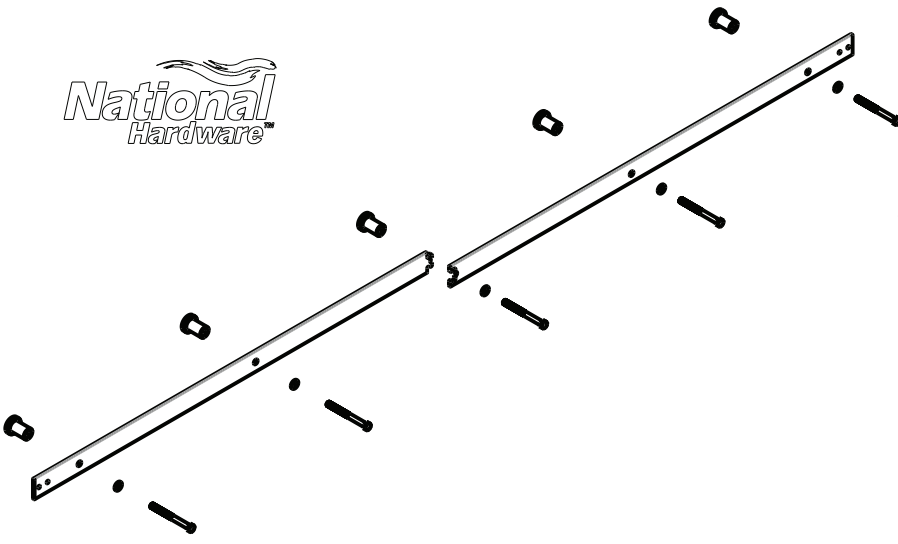


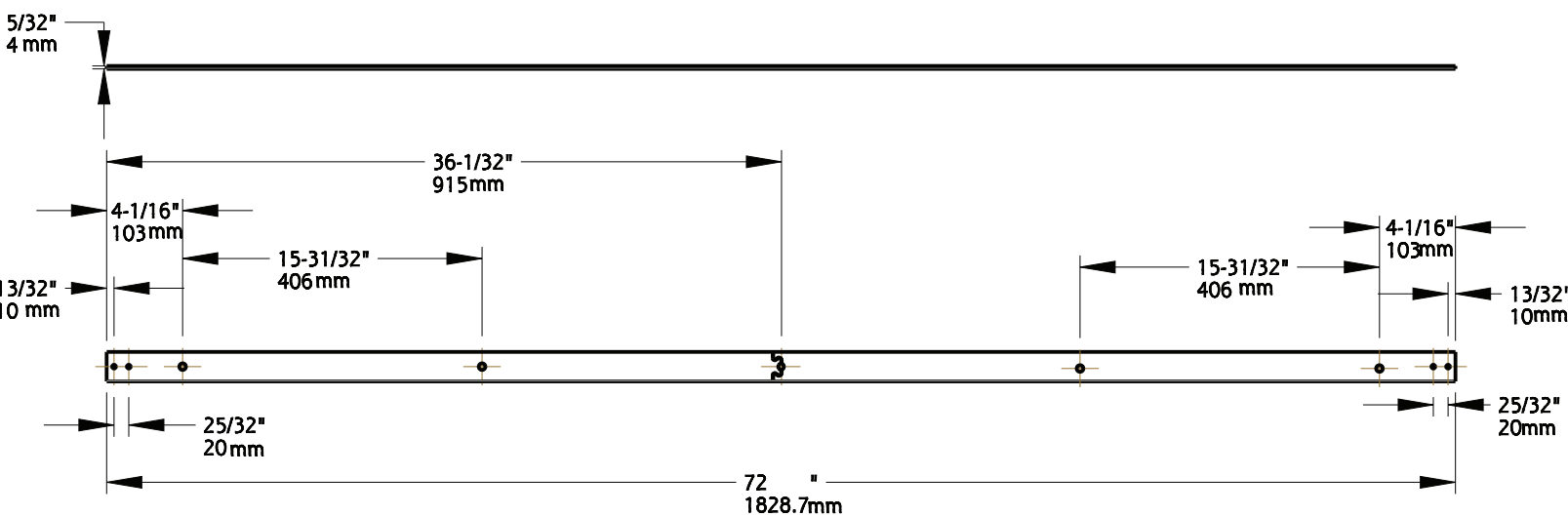
N700-004	96IN CLASSIC IBD KIT	MATTE BLACK
N700-003	72IN CLASSIC IBD KIT	MATTE BLACK
N700-002	72IN CLASSIC IBD KIT	SATIN NICKLE
SKU NO.	DESCRIPTION	FINISH

Material: Steel
Finish: See Table

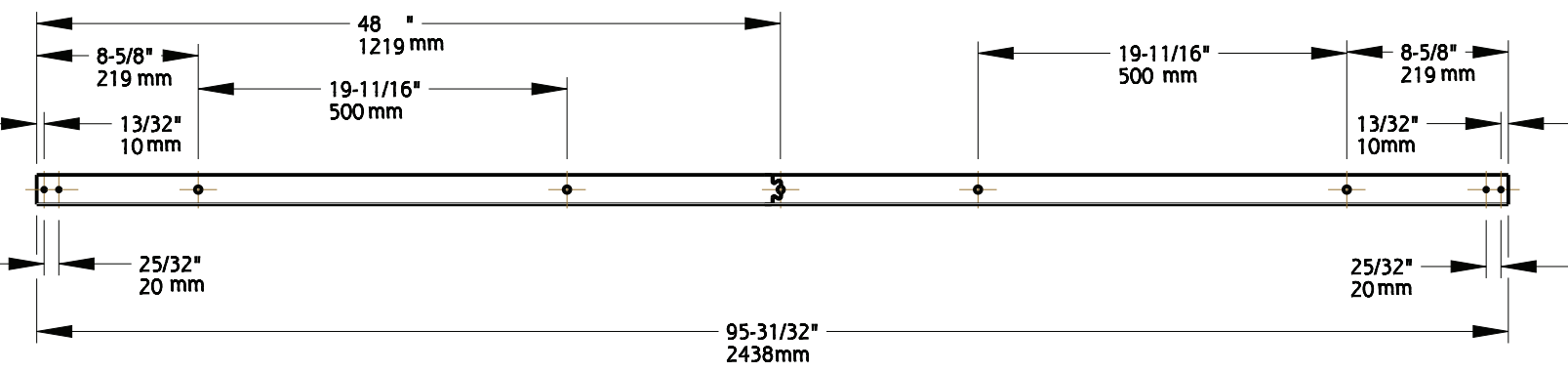
Revision	1	DO NOT SCALE	928	See Table
Date	JULY 2020	Dimensions are nominal and subject to change. ©2017 Spectrum Brands, Inc.	Family Name	SKU
			CLASSIC IBD KIT	
			Description	



Spacer



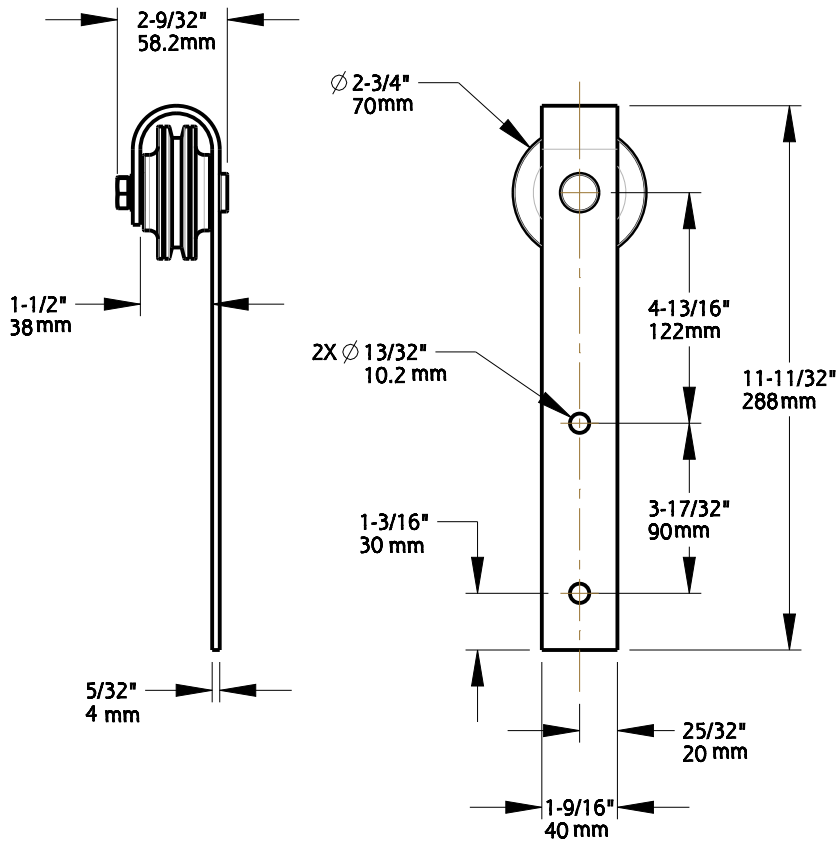
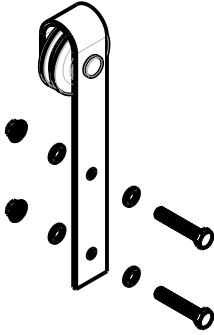
72" Track



96" Track

Fasteners: (5) Hex Screw, M8 x 3-1/2" Long
 (5) Washer, M8
 (5) Spacer
 (4) Hole cap

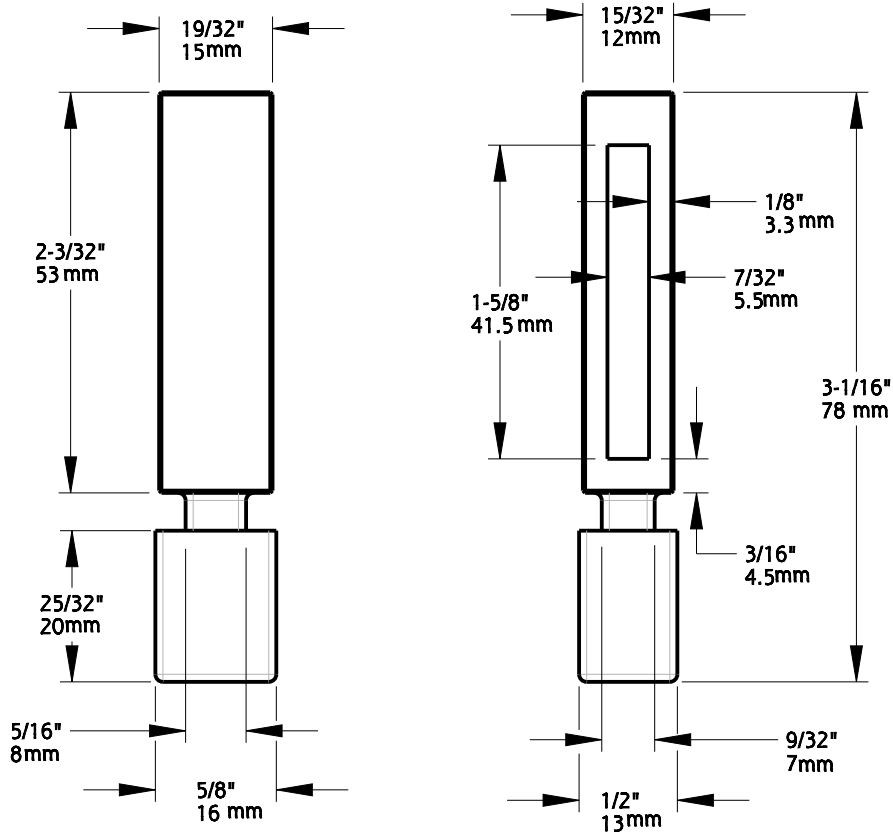
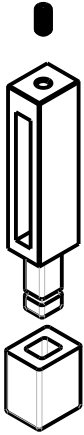
Revision	1	DO NOT SCALE	928	See Table
Date	JULY 2020	Dimensions are nominal and subject to change.	Family Name	SKU
		©2017 Spectrum Brands, Inc.	CLASSIC IBD KIT	
			Description	



Hanger

Fasteners: (2) Hex Screw, M10x2-1/6" Long
(4) Washer, M10
(2) Nut, M10

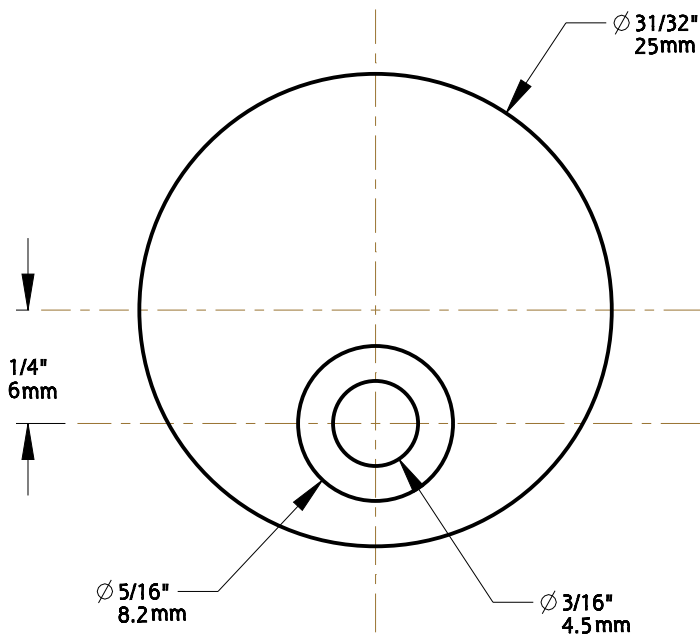
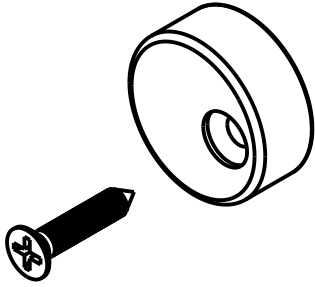
Revision	1	DO NOT SCALE	928	See Table
Date	JULY 2020	Dimensions are nominal and subject to change.	Family Name	SKU
		©2017 Spectrum Brands, Inc.	CLASSIC IBD KIT	
			Description	



Door stops

Fasteners (per door stop):
(1) Set Screw, M4x1/3" Long

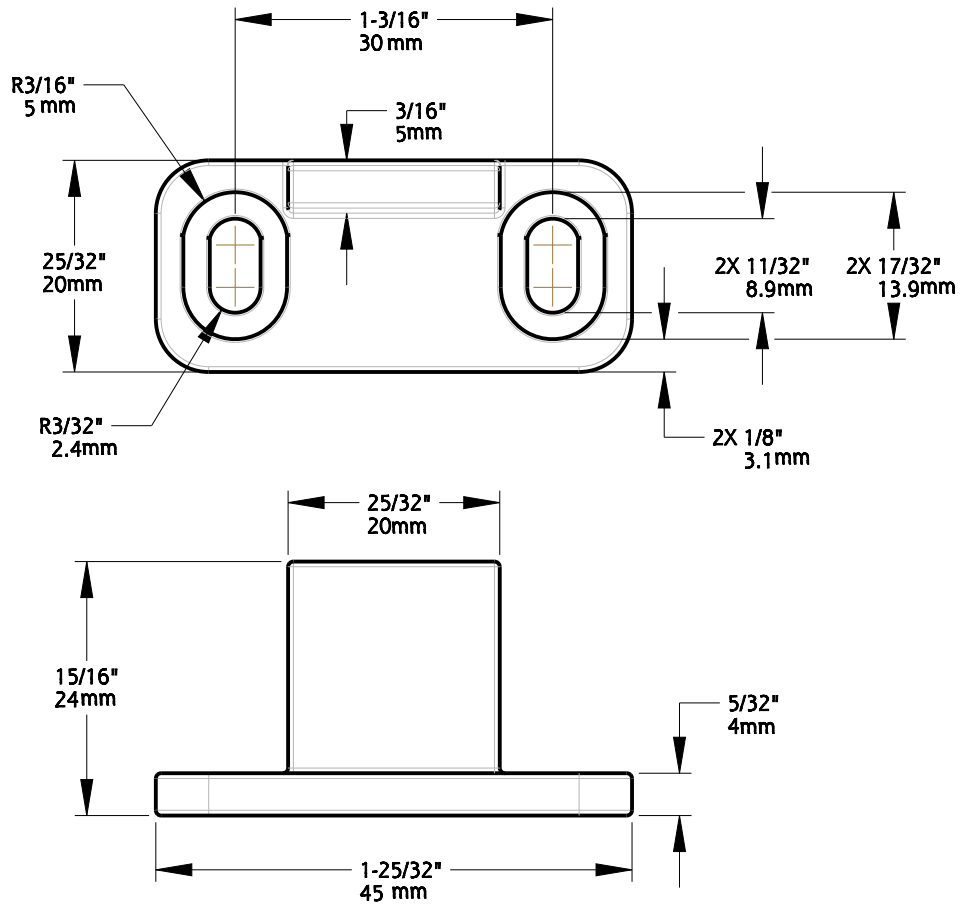
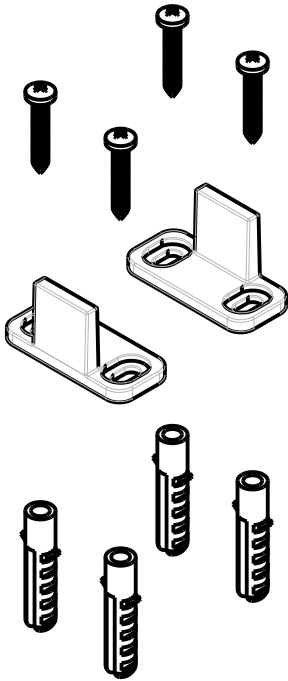
Revision	1	DO NOT SCALE	928	See Table
Date	JULY 2020	Dimensions are nominal and subject to change.	Family Name	SKU
		©2017 Spectrum Brands, Inc.	CLASSIC IBD KIT	
			Description	



Anti-Jump Disc

Fasteners: (1) Screw, M4x3/4" Long, Self tapping

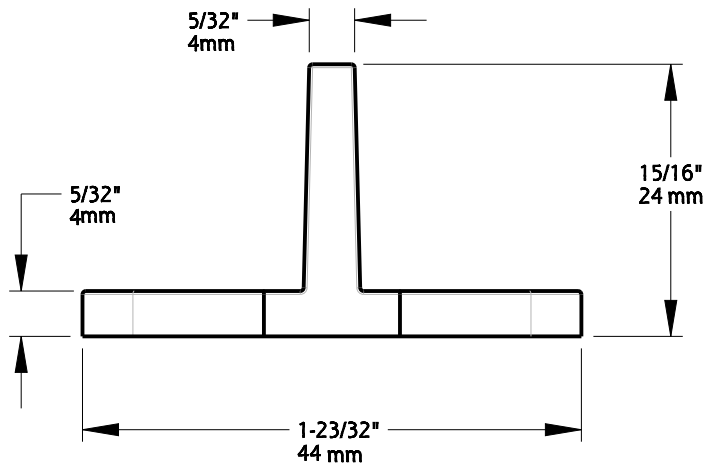
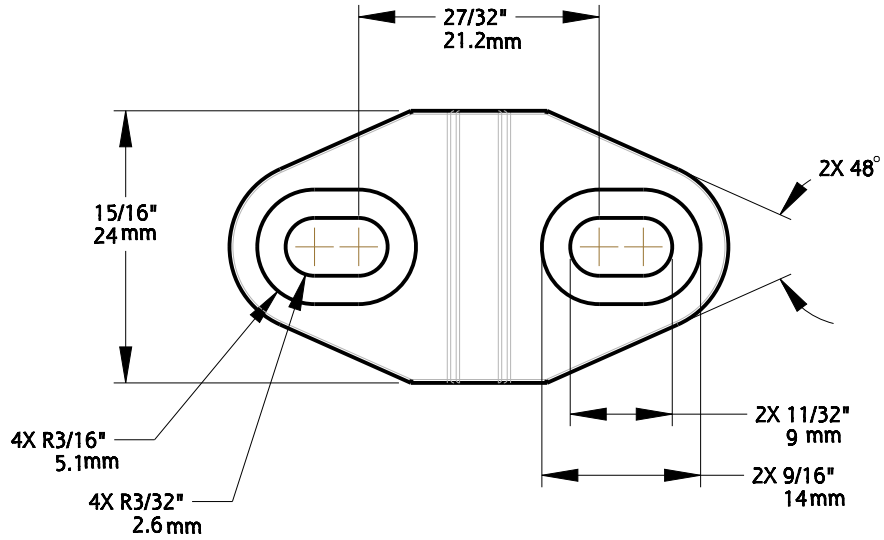
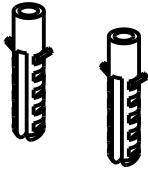
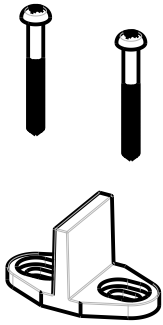
Revision	1	DO NOT SCALE	928	See Table
Date	JULY 2020	Dimensions are nominal and subject to change.	Family Name	SKU
		©2017 Spectrum Brands, Inc.	CLASSIC IBD KIT	
			Description	



Double Floor Guide

Fasteners: (4) Phillips Screw, $5/32" \times 1\text{-}3/8"$ Long, Self tapping
(4) Anchor, $1\text{-}1/2"$ Long, Plastic

Revision	1	DO NOT SCALE	928	See Table
Date	JULY 2020	Dimensions are nominal and subject to change.	Family Name	SKU
		©2017 Spectrum Brands, Inc.	CLASSIC IBD KIT	
			Description	



Single Floor Guide

Fasteners: (2) Phillips Screw, $5/32"$ x $1-3/8"$ Long, Self tapping
(2) Anchor, $1-1/2"$ Long, Plastic

Revision	1	DO NOT SCALE	928	See Table
Date	JULY 2020	Dimensions are nominal and subject to change.	Family Name	SKU
		©2017 Spectrum Brands, Inc.	CLASSIC IBD KIT	
			Description	