



APPLY SERIAL NUMBER LABEL FROM CARTON

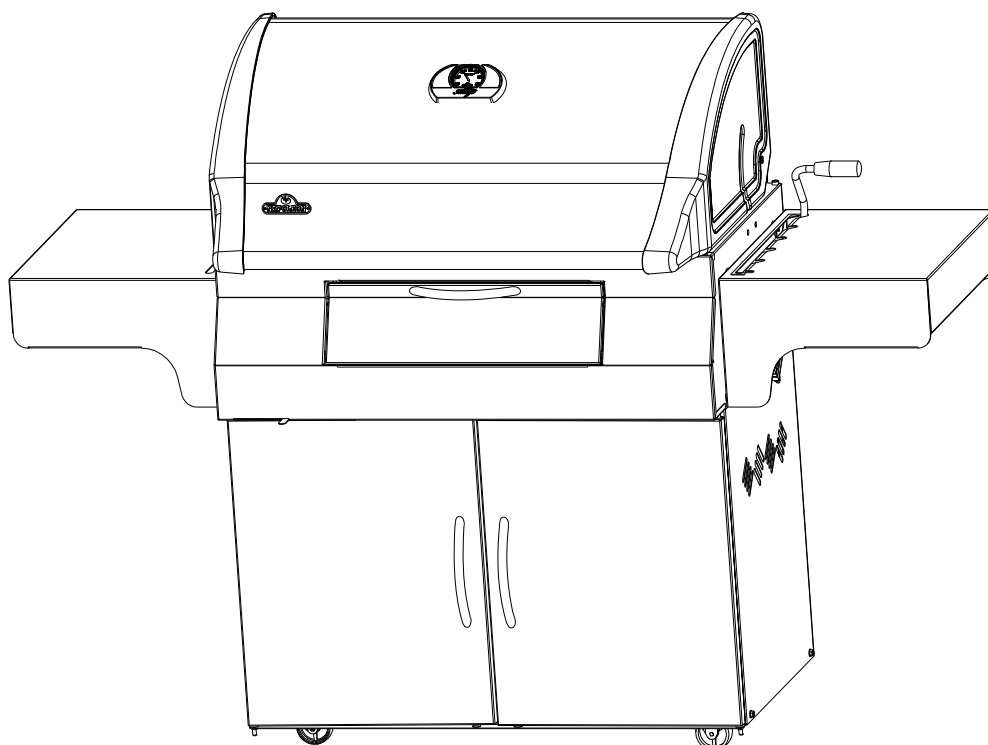


Serial No. XXXXXX000000  
MODEL NO.

# OUTDOOR CHARCOAL GRILL

## ASSEMBLY USE AND CARE MANUAL

THIS GRILL MUST ONLY BE USED OUTDOORS IN A WELL-VENTILATED SPACE  
RETAIN THIS MANUAL FOR FUTURE REFERENCE



### WARNING



Do not try to light this appliance without reading lighting instructions section of this manual.



### DANGER



Burning charcoal gives off carbon monoxide. Do not burn charcoal inside homes, garages, tents, vehicles or any enclosed areas.

**FAILURE TO FOLLOW THESE INSTRUCTIONS EXACTLY COULD RESULT IN A FIRE CAUSING SERIOUS INJURY OR DEATH.**

## THANK YOU FOR CHOOSING NAPOLEON

NAPOLEON products are designed with superior components and materials, and are assembled by trained craftsmen who take great pride in their work. This grill has been thoroughly inspected by a qualified technician before packaging and shipping to ensure that you, the customer, receive the quality product you expect from NAPOLEON.

We at Napoleon are dedicated to you, "our valued customer". It is our goal to provide you with the necessary tools to make this an unforgettable grilling experience. This manual is provided to assist you in assuring your new grill is assembled, installed, maintained and cared for properly. It is important to read and understand this entire manual before operating your new grill to ensure you fully understand all safety precautions and features your grill has to offer. By carefully following the instructions inside this manual you will enjoy years of trouble free grilling. For whatever reason if we fail to meet your expectations please call our customer care department at 1-866-820-8686 between 9 AM and 5 PM (Eastern Standard Time) or visit our website.



## NAPOLEON GRILL PRESIDENT'S LIMITED LIFETIME WARRANTY

NAPOLEON warrants the following materials and workmanship in your new NAPOLEON grill against defects for as long as you own the grill. This covers: aluminum castings (excluding paint), wheels, knobs, stainless steel lid inserts, and lid handles. Subject to the following conditions. During the first five years NAPOLEON will provide replacement parts at our option free of charge. From the sixth year to lifetime NAPOLEON will provide replacement parts at 50% of the current retail price.

Components such as cast iron cooking grids, lifting mechanism, and temperature gauges are covered and NAPOLEON will provide parts free of charge during the first two years of the limited warranty.

Components such as casters, warming racks, fasteners and accessories are covered and NAPOLEON will provide parts free of charge during the first year of the limited warranty.

NAPOLEON shall not be liable for any transportation charges, labour costs or export duties.

## CONDITIONS AND LIMITATIONS

"NAPOLEON warrants its products against manufacturing defects to the original purchaser only, provided that the purchase was made through an authorized NAPOLEON dealer and is subject to the following conditions and limitations."

This factory warranty is non-transferable and may not be extended what-so-ever by any of our representatives.

The grill must be installed by a licenced, authorized service technician or contractor. Installation must be done in accordance with the installation instructions included with the product and all local and national building and fire codes.

This limited warranty does not cover damages caused by misuse, lack of maintenance, grease fires, hostile environments, accident, alterations, abuse or neglect and parts installed from other manufacturers will nullify this warranty.

This limited warranty further does not cover any scratches, dents, painted finishes, corrosion or discolouring by heat, abrasive and chemical cleaners, nor chipping on porcelain enamel parts, nor any components used in the installation of the grill.

Should deterioration of parts occur to the degree of non-performance within the duration of the warranted coverage, a replacement part will be provided.

In the first year only, this warranty extends to the replacement of warranted parts which are defective in material or workmanship provided that the product has been operated in accordance with the operation instructions and under normal conditions.

After the first year, with respect to this President's Limited Lifetime Warranty NAPOLEON may, at its discretion, fully discharge all obligations with respect to this warranty by refunding to the original warranted purchaser the wholesale price of any warranted but defective part(s).

**NAPOLEON will not be responsible for the installation, labour or any other costs or expenses related to the re-installation of a warranted part, and such expenses are not covered by this warranty.**

Notwithstanding any provision contained in this President's Limited Lifetime Warranty NAPOLEON's responsibility under this warranty is defined as above and it shall not in any event extend to any incidental, consequential, or indirect damages.

This warranty defines the obligation and liability of NAPOLEON with respect to the NAPOLEON grill and any other warranties expressed or implied with respect to this product, its components or accessories are excluded.

NAPOLEON neither assumes, nor authorizes any third party to assume, on its behalf, any other liabilities with respect to the sale of this product. NAPOLEON will not be responsible for: over firing, blow outs caused by environmental conditions such as strong winds, or inadequate ventilation.

Any damages to the grill due to weather, hail, rough handling, damaging chemicals or cleaners will not be the responsibility of NAPOLEON.

The bill of sale or copy will be required together with a serial number and a model number when making any warranty claims from NAPOLEON.

NAPOLEON reserves the right to have its representative inspect any product or part prior to honouring any warranty claim.

NAPOLEON shall not be liable for any transportation charges, labour costs, or export duties.

# SAFE OPERATING PRACTICES

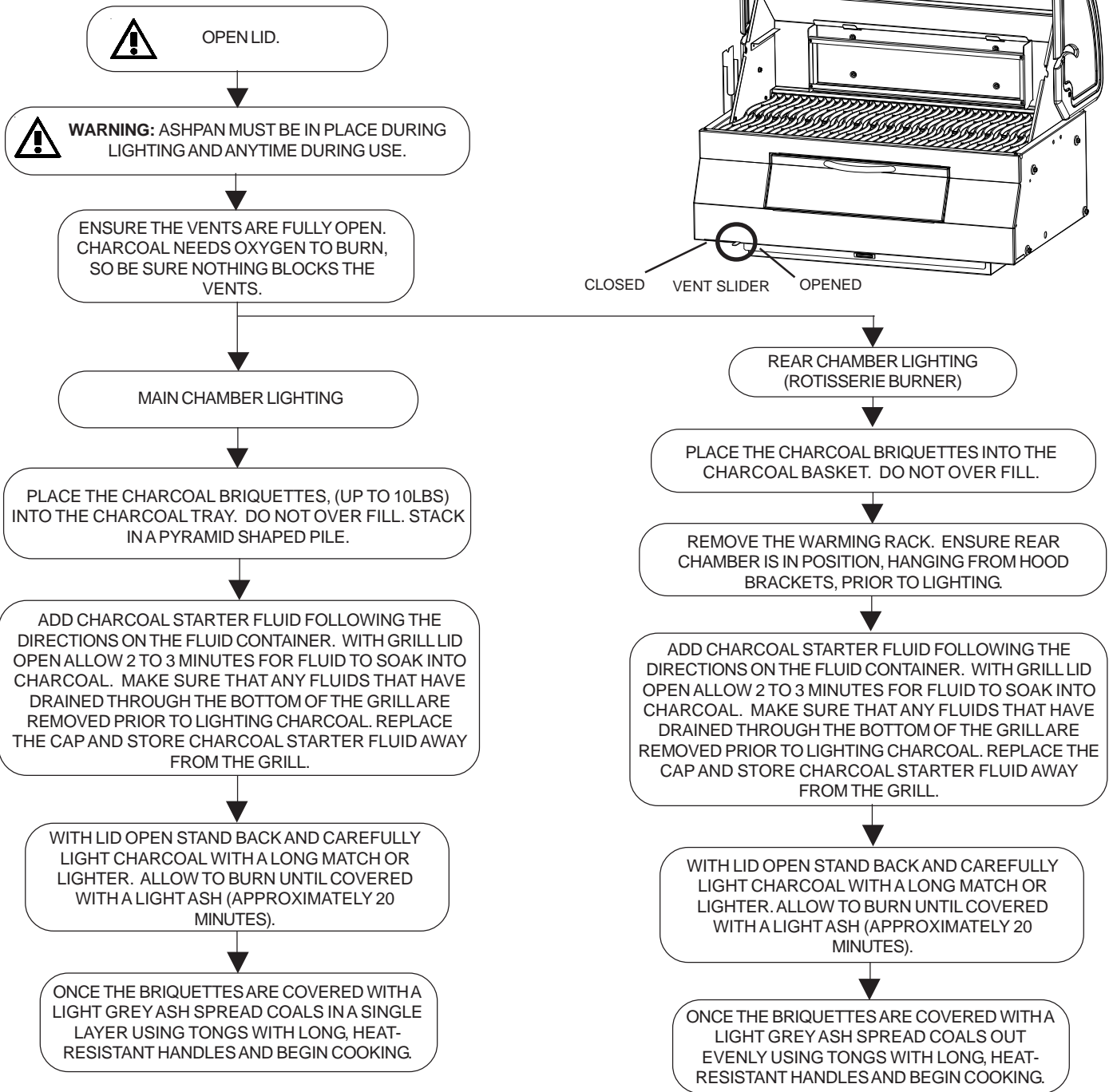
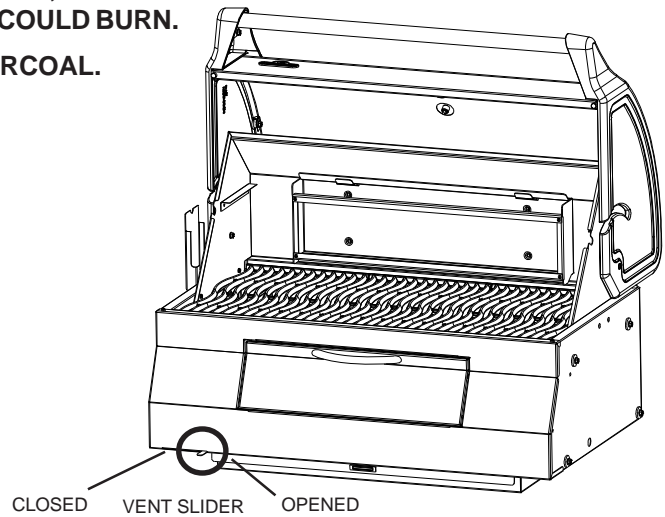


**DANGER: READ ALL INSTRUCTIONS CAREFULLY BEFORE OPERATING GRILL. FAILURE TO FOLLOW THESE INSTRUCTIONS EXACTLY COULD RESULT IN A FIRE CAUSING SERIOUS INJURY OR DEATH.**

- ▲ Read the entire instruction manual before operating grill.
- ▲ Under no circumstance should this grill be modified.
- ▲ Follow lighting instructions carefully when operating grill.
- ▲ Do not light charcoal with lid closed.
- ▲ Do not lean over grill when lighting.
- ▲ Prior to lighting rear chamber (burner) it must be in position on brackets inside hood.
- ▲ Do not use gasoline, alcohol, or other highly volatile fluids to ignite charcoal. Use ONLY charcoal starter fluid approved for lighting charcoal, and make sure that any fluids that have drained through the bottom of the grill are removed before lighting the charcoal.
- ▲ Charcoal starter fluid should never be added to hot or even warm coals.
- ▲ After use and before lighting, charcoal starter fluid should be capped and stored a safe distance away from the grill, at least 25 feet.
- ▲ Keep children and pets away from hot grill, DO NOT allow children to climb inside cabinet.
- ▲ Do not leave the grill unattended while in use.
- ▲ Do not move grill when hot or operating.
- ▲ This grill must not be installed in or on recreational vehicles and/or boats.
- ▲ This grill must only be stored outdoors in a well-ventilated area and must not be used inside a building, garage, screened in porch, gazebo or any enclosed area.
- ▲ Maintain proper clearance to combustibles (16" to rear of unit 7" to sides). This clearance is also recommended near vinyl siding or large panes of glass.
- ▲ At all times keep the ventilation openings of the enclosure free and clear from debris.
- ▲ Do not place hands inside grill when adjusting charcoal tray. Keep hands and fingers away from lifting mechanism at all times.
- ▲ Do not locate unit under unprotected combustible construction.
- ▲ Do not operate this grill under any overhead construction such as roof coverings, carports, awnings or overhangs.
- ▲ Do not locate in windy settings. High winds adversely affect the cooking performance of the grill.
- ▲ The lid is to be closed during the preheat period.
- ▲ Ash/Grease tray must be in place when using the grill.
- ▲ Clean ash/grease tray regularly to avoid build-up which may lead to grease fires.
- ▲ Do not use side shelves to store lighter, matches or any other combustibles.
- ▲ Grill should be on level ground at all times.
- ▲ Do not use water to control flare ups or extinguish coals, as it may damage your grill's finish.
- ▲ To control flare-ups, slightly close the vents on your grill. To completely extinguish coals/fire, close all vents and lid completely.
- ▲ Use proper grilling tools with long, heat-resistant handles.
- ▲ Use barbecue mitts or hot pads to protect hands while cooking or adjusting the vents.
- ▲ Do not remove ashes from grill until all charcoal is completely burned out and fully extinguished. Allow ample time to cool.
- ▲ Remaining coal and ashes are to be removed from grill and stored in a non-combustible metal container. Allow to remain in metal container 24 hours before disposing of.
- ▲ Keep electrical supply cords away from water or heated surfaces.
- ▲ Always use this grill in accordance with local codes.

# LIGHTING INSTRUCTIONS

- ⚠️ LOCATE THE GRILL OUTDOORS ON A SOLID, LEVEL, NON-COMBUSTIBLE SURFACE. NEVER USE GRILL ON WOODEN OR OTHER SURFACES THAT COULD BURN.**
- ⚠️ DO NOT LEAN OVER GRILL WHEN LIGHTING CHARCOAL.**



**AS AN ALTERNATIVE TO USING CHARCOAL STARTER FLUID LIGHTLY SOAK A CRUMBLED PIECE OF PAPER OR CARDBOARD IN VEGETABLE OIL. PLACE SOAKED PAPER/CARDBOARD IN THE CENTER OF THE CHARCOAL TRAY AND PYRAMID CHARCOAL BRIQUETTES AROUND PAPER. CAREFULLY LIGHT USING LONG MATCH. IF USING THIS METHOD DO NOT USE CHARCOAL STARTER FLUID AS OUTLINED ABOVE.**

- ⚠️ DO NOT OPERATE REAR CHAMBER WITH MAIN CHAMBER OPERATING.**

# OPERATING THE GRILL

## BURN IN PROCEDURE

When lit for the first time, the grill will emit a slight odour. This is a normal temporary condition caused by the "burn-in" of internal paints and lubricants used in the manufacturing process and will not occur again. Simply burn the grill on high for approximately ½ hour with the lid closed.

## MAIN CHAMBER USE:

The charcoal tray has six positions in which it can operate, we recommend locking the charcoal tray in the uppermost position, as close to the cooking grids as possible, for optimal performance. Temperatures can be reduced by lowering the tray away from the food as desired, and closing the intake vents.

### ⚠ CAUTION

**Do not place hands inside grill when adjusting charcoal tray. Keep hands and fingers away from lifting mechanism at all times.**

Preheating is recommended by operating the grill with the lid closed for approximately 20 minutes. Coals are ready when they have a light coating of grey ash. Food cooked for a short period of time (fish, vegetables) may be grilled with the lid open. Cooking with the lid closed will ensure higher, more even temperatures that will reduce cooking time and cook food more evenly. When cooking very lean meat, such as chicken breast, or lean pork, the grids can be oiled before preheating to reduce sticking. Cooking meat with a high degree of fat content, may create flare-ups. Either trim some fat or reduce temperatures to prevent this. Should a flare-up occur, move food away from flames, reduce heat (reduce vent opening and lower charcoal tray). Leave the lid open.

**As a general rule plan on using about 30 Briquettes to cook 1 pound of meat. If cooking for more than 30 to 40 minutes additional briquettes must be added to the fire. When the weather is cold or windy, you will need more briquettes to reach ideal cooking temperatures.**

## DIRECT COOKING:

Place food to be cooked on the grill directly over the heat. This method is generally used for searing or for foods that do not require prolonged cooking times - hamburgers, steaks, chicken pieces, vegetables, etc. The food is first seared to trap in the juices and flavor, and then the temperature is lowered to finish cooking the food to your preference.

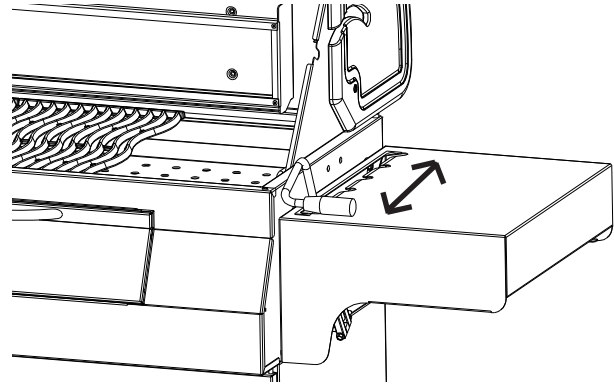
## INDIRECT COOKING:

When cooking by the indirect method. Charcoal should be positioned, in the charcoal tray on the opposite side in which you intend to place your food. The heat circulates around the food, cooking slowly and evenly. Cooking in this manner is much the same as cooking in your oven and is generally used for larger cuts of meats such as roasts, chickens or turkeys, but can also be used for cooking foods that are prone to flare ups. Cooking in this method with lower temperatures and slower cooking times will result in tender foods every time you grill.

## ADDING CHARCOAL DURING COOKING:

Carefully open door located on front of base. Use caution since flames may flare up when coals come in contact with fresh air. Stand back a safe distance and use long heat-resistant handle cooking tongs to add additional charcoal briquettes.

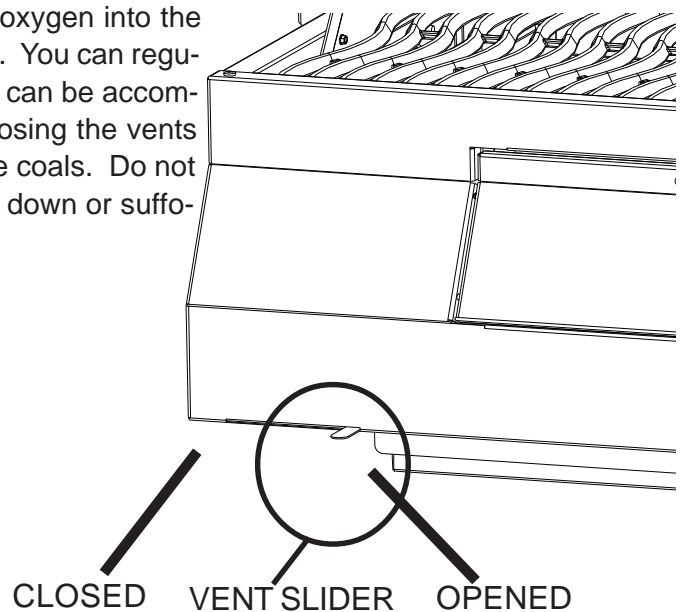
**Warning:** Never add charcoal starter fluid to hot or warm coals, once charcoal is ignited no more fluid is required.





## OPERATING THE VENTS:

Vents on a covered grill are usually left open to allow oxygen into the grill. Oxygen will increase the temperature of the coals. You can regulate the grill's temperature by adjusting the vents. This can be accomplished by sliding the vent slide to the right or left. Closing the vents either partially or completely may help to cool down the coals. Do not completely close air vents and lid unless trying to cool down or suffocate a flame.



## REAR CHAMBER USE (ROTISSERIE BURNER):

**⚠** Only install rear chamber when using.

**Remove the warming rack prior to use.** Cooking grids should also be removed if they interfere with the rotisserie. Ensure rear chamber is installed on brackets located inside hood prior to lighting. The rear burner is designed to be used in conjunction with the rotisserie kit (included with rear burner units) available from your dealer. See the rotisserie kit assembly instructions. To use the counterbalance, remove the rotisserie motor from the grill. Place the spit with meat being cooked across the hangers inside the grill. The meat will naturally hang with the heavy side down.

Tighten the counterbalance arm and weight, so that the arm is facing up. Slide the counterweight in or out to balance the load, and tighten in place. Re-install the motor and begin cooking. Place a dish underneath to collect drippings for basting and naturally delicious gravy. Basting liquid may be added as required. Keep the lid closed for best results. Your roasts and fowl will brown perfectly on the outside and stay moist and tender on the inside. For example, a 3 pound chicken on the rotisserie will be done in approximately 1½ hours on medium to high.

To add additional charcoal briquettes during cooking stand back a safe distance and use long heat-resistant handle cooking tongs.

**Warning:** Never add charcoal starter fluid to hot or warm coals, once charcoal is ignited no more fluid is required.

## CHARCOAL COOKING GUIDE

Charcoal is the traditional way of cooking that we are all familiar with. The glowing briquettes emit infrared energy to the food being cooked, with very little drying effect. Any juices or oils that escape from the food drip down onto the charcoal and vaporize into smoke giving the food its delicious grilled taste. For instantaneous searing the charcoal tray can be set to its uppermost position, yet the tray can also be lowered for slower cooking. The bottom line is that Napoleon's charcoal grill produces searing heat for juicier, tastier steaks, hamburgers and other meats. For cooking times and tips refer to the Charcoal Grilling Chart.

The following grilling chart is meant to be a guideline only. Cooking times are affected by such factors as altitude, outside temperature, wind, and desired doneness which will be reflected in your cooking time.

## CHARCOAL GRILLING CHART

FOOD	DIRECT/INDIRECT HEAT	COOKING TIME	HELPFUL SUGGESTIONS
Steak 1" Thick	Direct Heat	6-8 min. -Medium	When selecting meat for grilling, ask for meat with a marbled fat distribution. The fat acts as a natural tenderizer while cooking and will keep the meat moist and juicy.
Hamburger 1/2" Thick	Direct Heat	6-8 min. -Medium	Preparing hamburgers to order is made easier by varying the thickness of your patties. To add an exotic taste to your meat, try adding hickory-flavored woodchips in with the charcoal.
Chicken Pieces	Direct Heat approx 2min per side. Indirect Heat for the remaining 18-20min	20-25 min.	The joint connecting the thigh and the leg from the skinless side, should be sliced 3/4 of the way through in order for the meat to lay flatter on the grill. This will help it to cook faster and more evenly. To add a trademark taste to your cooking, try adding mesquite-flavoured woodchips in with the charcoal.
Pork Chops	Direct Heat	10-15 min.	Trim off the excess fat before grilling. Choose thicker chops to get more tender meat.
Spare Ribs	Direct Heat for 5 minutes. Indirect Heat to finish.	1.5 - 2 hrs turning often	Choose ribs that are lean and meaty. Grill until meat easily pulls away from the bone.
Lamb Chops	Direct Heat	25-30 min	Trim off the excess fat before grilling. Choose extra thick chops to get more tender meat.
Hot Dogs	Direct Heat	4-6 min.	Select the larger size wieners. Slit the skin lengthwise before grilling.

## AFTER USE SAFETY

- Close lid and all vents to extinguish fire.
- Always allow the grill to cool completely before handling.
- Never leave coals and ashes in grill unattended. Make sure coals and ashes are completely extinguished before removing.
- Remove remaining coals and ashes from grill. Use caution to protect yourself and property from damage. Place remaining coals and ashes in a non-combustible metal container and completely saturate with water. Leave in metal container an additional 24 hours before disposing of.

## MAINTENANCE / CLEANING INSTRUCTIONS

**It is recommended that the ashtray/drip pan be emptied out after each use. Make sure the grill is cool and all coals are completely extinguished prior to removing any part from your grill.**

- Do not use pressure washer to clean any part of the grill.

Avoid unprotected contact with hot surfaces. Clean grill in an area where cleaning solutions will not harm decks, lawns or patios. Do not use oven cleaner to clean any part of this gas grill. Do not use a self-cleaning oven to clean cooking grids or any other parts of the gas grill. Barbecue sauce and salt can be corrosive and will cause rapid deterioration of the gas grill components unless cleaned regularly.

**Maintenance should only be done when the grill is cool, to avoid the possibility of burns.**

**GRIDS AND WARMING RACK:** The grids and warming rack are best cleaned during the pre-heat period with a soft brass wire brush. Steel wool can be used for stubborn stains.

**CLEANING INSIDE THE GRILL:** Remove cooking grids. Use a soft brass wire brush to clean loose debris from casting sides and insides of the lid. Scrape inside base with a putty knife or scraper, and use a wire brush to remove ash. Brush all debris from inside the grill into the removable ash/drip pan. If desired you can wash the inside of the grill with a mild detergent and water. Rinse well with clear water and wipe dry.

**ASH/DRIP PAN:** Slide the drip pan out for easy cleaning. It should be cleaned after each use to avoid buildup. Ashes, grease and excess drippings pass through to the drip pan, located under the charcoal grill, and accumulate. Accumulated grease can cause a fire hazard. The pan should be scraped out with a putty knife or scraper, and all the debris should be scraped into a non-combustible metal container. Wash the ash/drip pan with a mild detergent and water. Rinse well with clear water and wipe dry.

**CLEANING THE OUTSIDE OF THE GAS GRILL:** Do not use abrasive cleaners to clean any painted, porcelain or stainless steel parts. Exterior grill surfaces should be cleaned while warm to the touch, with warm soapy water. To clean stainless surfaces, use a stainless steel cleaner or a non-abrasive cleaner. Always wipe in the direction of the grain. Do not use steel wool, as it will scratch the finish. Stainless steel parts will discolour when heated, usually to a golden or brown colour. This discolouration is normal and will not affect the performance of the grill.

## TROUBLE SHOOTING

Problem	Possible Causes	Solution
Low heat / Low flame.	Improper preheating.  Not enough airflow.  Low charcoal.  Improper charcoal tray location.	Allow charcoal to burn until covered with a light grey ash. (usually 20-25min).  Open Vents.  Add more charcoal to charcoal tray.  Raise charcoal tray to highest position.
Excessive flare-ups/uneven heat.	Improper pre-heating.  Excessive grease and ash build up in ash/drip pan.  Improper charcoal tray location.	Pre-heat grill with lid closed for 20 - 25 mins.  Clean ash/drip pan regularly. Do not line pan with aluminum foil. Refer to cleaning instructions.  Lower charcoal tray to lowest position.
"Paint" appears to be peeling inside lid or hood.	Grease build up on inside surfaces.	This is not a defect. The finish on the lid and hood is stainless steel, and will not peel. The peeling is caused by hardened grease, which dries into paint-like shards, that will flake off. Regular cleaning will prevent this. See cleaning instructions.



# ORDERING REPLACEMENT PARTS

## WARRANTY INFORMATION



MODEL: \_\_\_\_\_  
DATE OF PURCHASE: \_\_\_\_\_  
SERIAL NUMBER: \_\_\_\_\_

**(record information here for easy reference)**

Before contacting the customer care department, check the NAC web site for more extensive cleaning, maintenance, troubleshooting and part replacement instructions at [www.napoleongrills.com](http://www.napoleongrills.com). Contact the factory directly for replacement parts and warranty claims. The customer care department is available Monday to Friday between 9 AM and 5 PM (Eastern Standard Time) at 1-866-820-8686 or fax at 1-705-727-4282. In order to process a claim, we must be provided with the following information:

1. Model and serial number of the unit.
2. Part number and description.
3. A concise description of the problem ('broken' is not sufficient).
4. Proof of purchase (photocopy of the invoice).

In some cases the customer care representative may request to have the parts returned to the factory for inspection, before providing replacement parts. The parts must be shipped prepaid to the attention of the customer care department with the following information:

1. Model and serial number of the unit.
2. A concise description of the problem ('broken' is not sufficient).
3. Proof of purchase (photocopy of the invoice).
4. Return Authorization number - provided by the customer care representative.

Before contacting customer care, please note that the following items are not covered by the warranty:

- costs for transportation, brokerage or export duties
- labor costs for removal and re-installation
- costs for service calls to diagnose problems
- discoloration of stainless steel parts
- part failure due to lack of cleaning and maintenance, or use of improper cleaners (oven cleaner).

# ASSEMBLY INSTRUCTIONS

**⚠ CAUTION:** During unpacking and assembly it is recommended that you wear work gloves and safety glasses for your protection. Although we make every effort to make the assembly process as problem free and safe as possible, it is characteristic of fabricated steel parts that the edges and corners may be sharp and can cause cuts if handled incorrectly during assembly.

## GETTING STARTED

1. Remove all cart panels, hardware, and grill head from carton. Raise lid and remove any components packed inside. Use the parts list to ensure all necessary parts are included.
2. Do not destroy packaging until grill has been fully assembled and operates to your satisfaction.
3. Assemble BBQ where it is to be used, lay down cardboard or a towel to protect parts from being lost or damaged while assembling.
4. Most stainless steel parts are supplied with a protective plastic coating that must be removed prior to using grill.
5. Follow all instructions in the order that they are laid out in this manual.
6. Two people are required to lift the grill head onto the assembled cart.

## TOOLS REQUIRED FOR ASSEMBLY (tools not included)

3/8 (10mm)  
WRENCH  
RATCHET OR  
DRIVER



7/16  
WRENCH  
RATCHET OR  
DRIVER

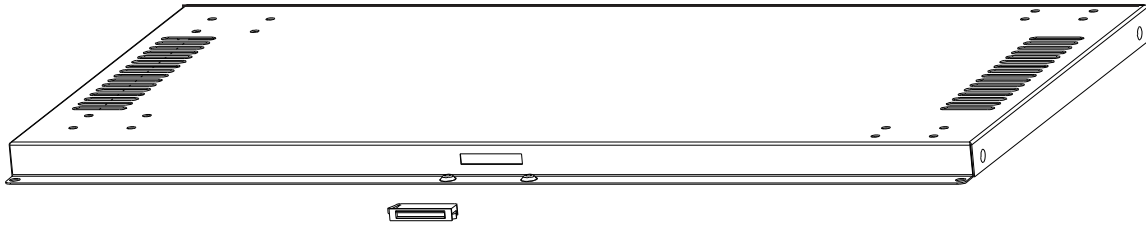


**If you have any questions about assembly or grill operation, or if there are damaged or missing parts please call our customer care department at 1-866-820-8686 Monday to Friday between 9 AM and 5 PM (Eastern Standard Time)**

1 x N430-0002  
MAGNET CATCH

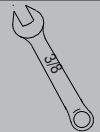
## 1 Magnet Installation

Snap magnet into slot in front of bottom shelf.



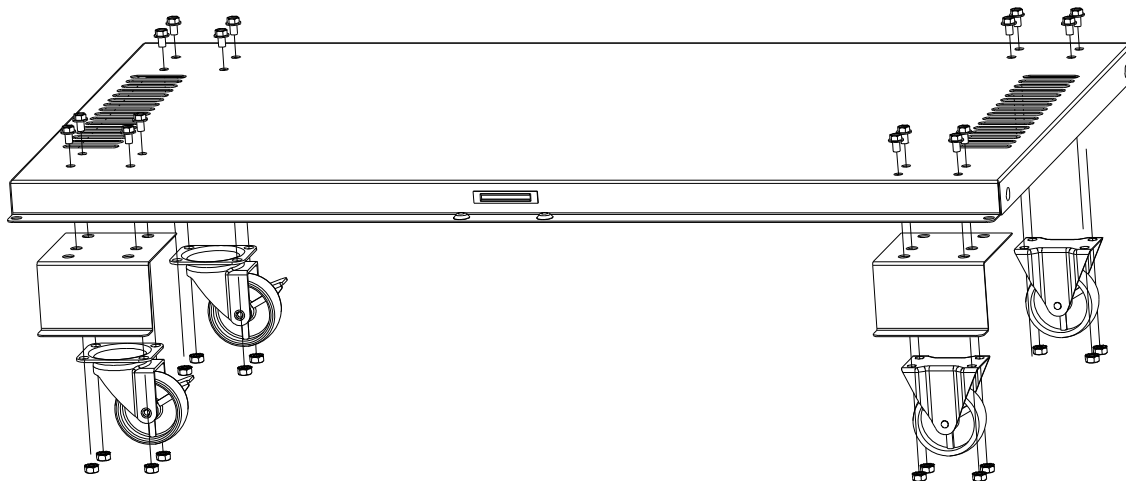
16 X   
N570-0073 (1/4-20 X 3/8")

16 X   
N450-0027 (1/4-20)



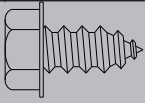
## 2 Caster Installation

Attach (4) casters using (4) 1/4 - 20 X 3/8" screws and (4) 1/4-20 lock nuts for each caster. Tighten securely.

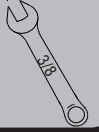


non revolving caster- right side

4 X

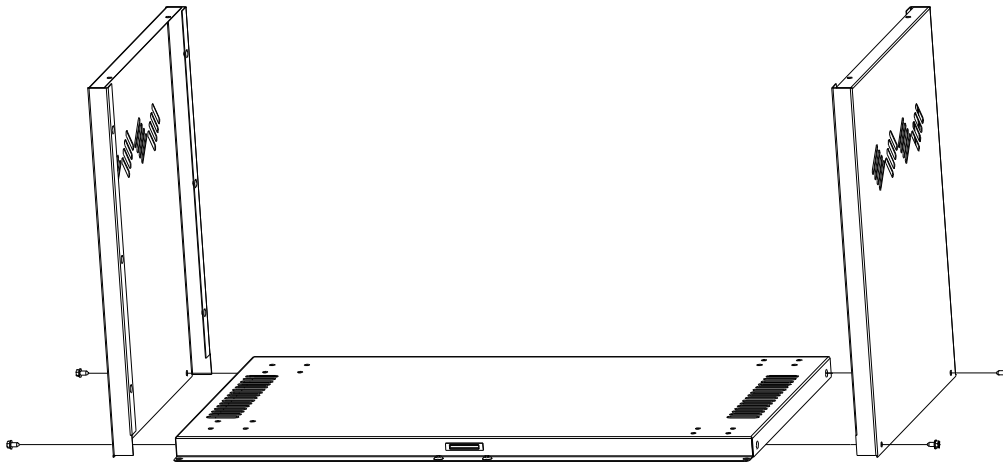


N570-0080 (#14 X 1/2")

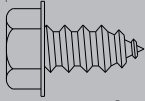


### 3 Left and Right Cart Panel Installation

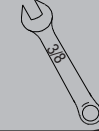
Install end cart panels ensuring slots in panel are to the top, rest panel on bottom shelf and line up holes. Fasten using (4) #14 x 1/2" screws.



6 X

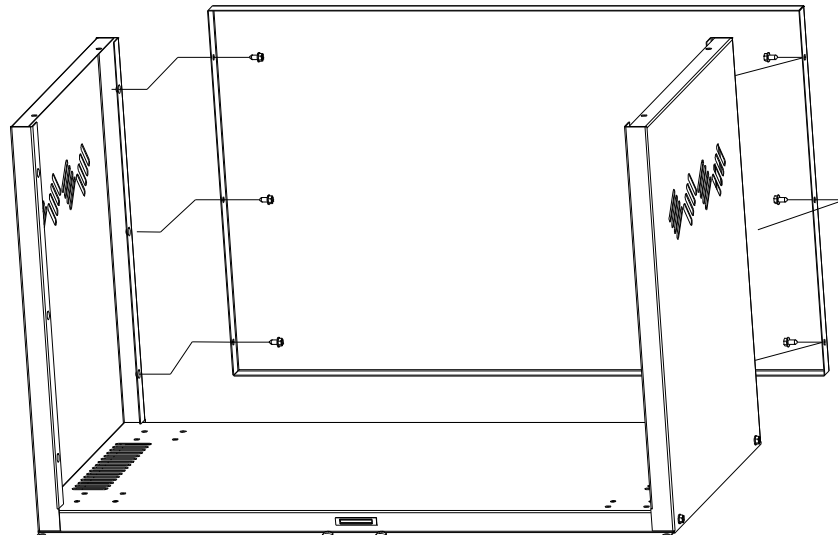


N570-0080 (#14 X 1/2")

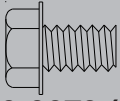


### 4 Rear Cart Panel Installation

Fit rear cart panel between the two end panels. Fasten using (6) #14 x 1/2" screws, three on each side.



6 X

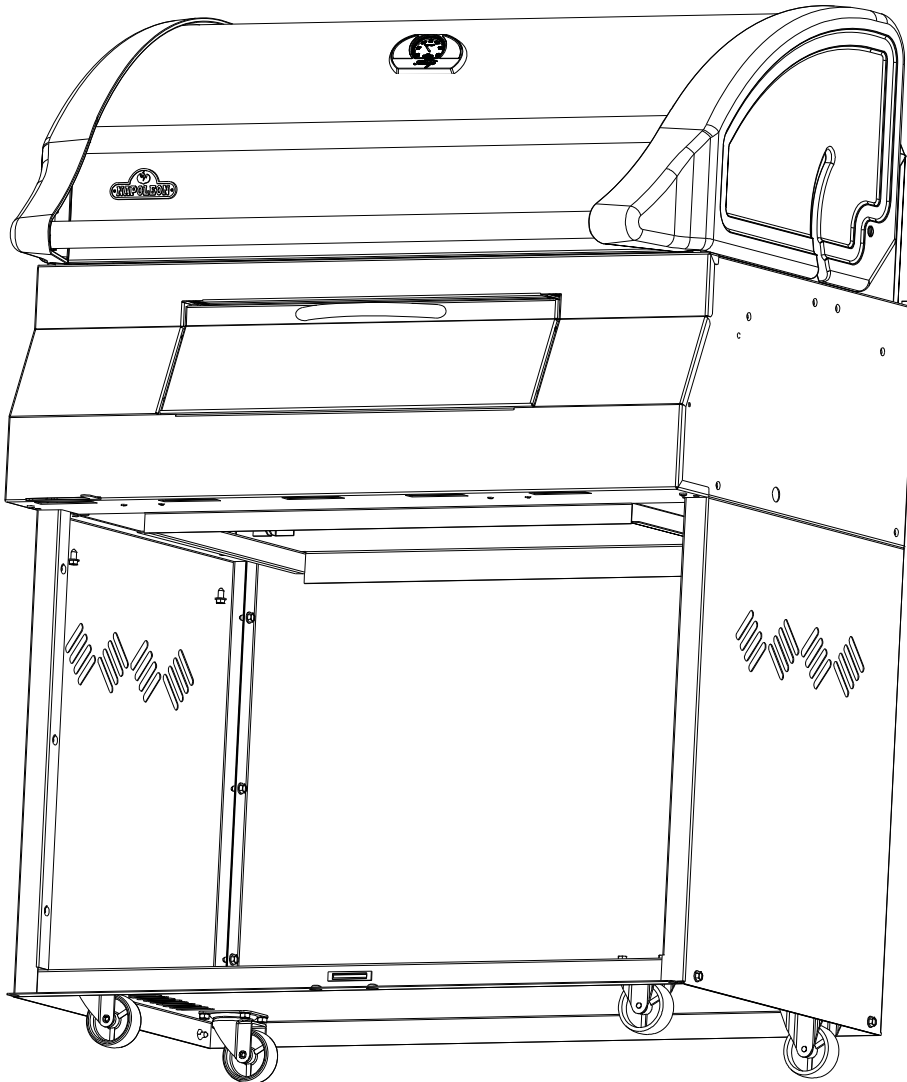


N570-0073 (1/4-20 X 3/8")

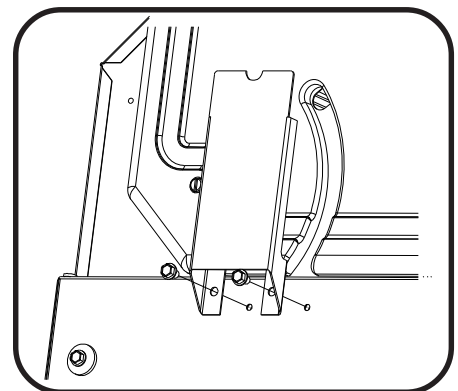


## 5 Grill Head Installation

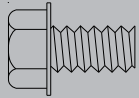
Lift grill head and place on assembled cart, lining up holes in top of side cart panels with holes in bottom of base. Fasten from inside using (4) 1/4-20 x 3/8" screws, two per side. Install rotisserie mount bracket to left side of grill as shown using (2) 1/4-20 x 3/8" screws.



**TWO PEOPLE ARE REQUIRED  
FOR THIS STEP**



8 X

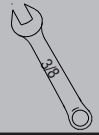


N570-0082 (1/4-20 x 5/8")

8 X

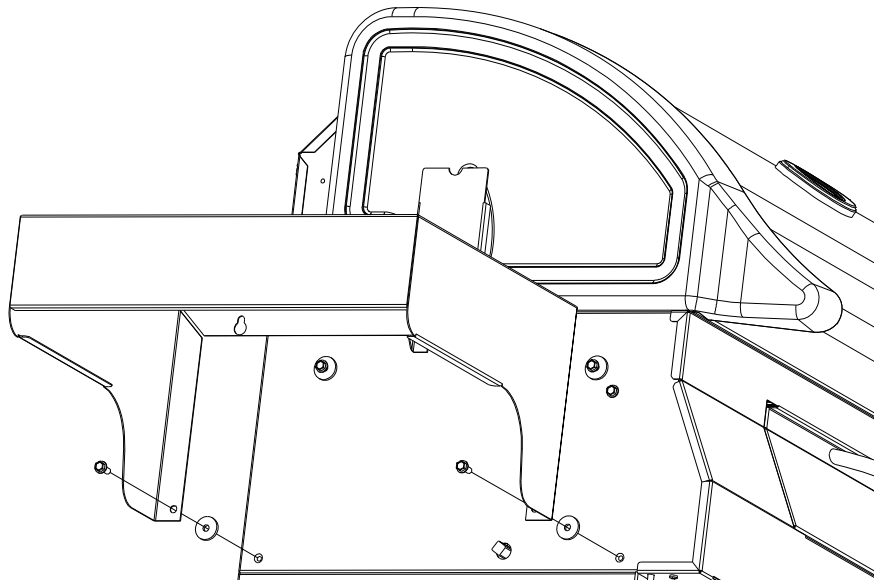
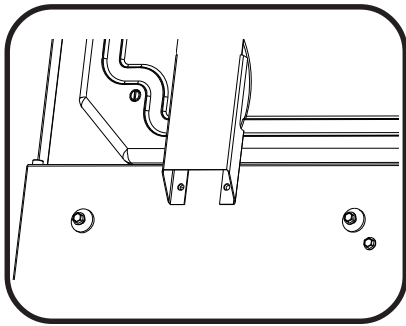


N735-0001 (1 1/16" insulated washer)



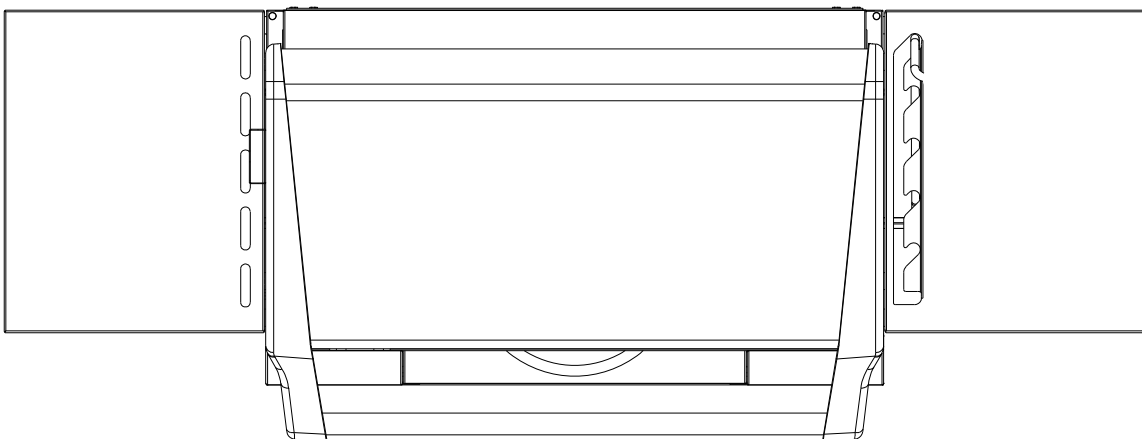
## 6 Side Shelf Installation

Insert (2) 1/4-20 x 5/8" screws through washers into the top holes in side of base, do not tighten all the way. Slide side shelf over screw heads. Align bottom holes in side shelf with bottom holes in base, place remaining washers between side shelf and base as shown. Insert remaining screws through side shelf into base and finish tightening all screws.



LEFT SHELF

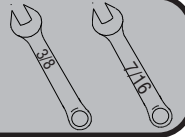
RIGHT SHELF





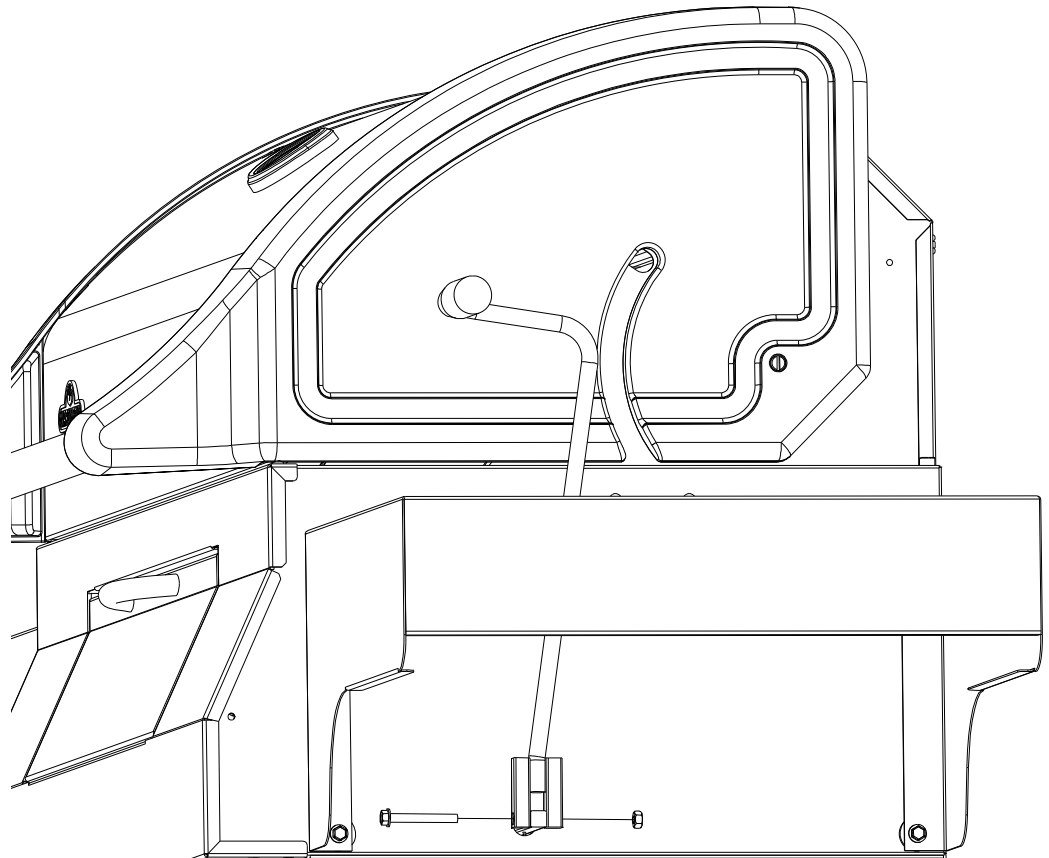
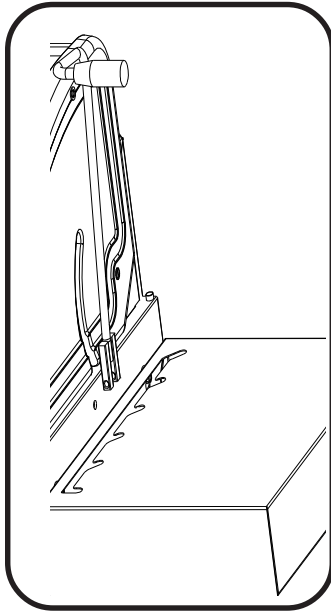
1 X  
N570-0084 (1/4-20 x 2")

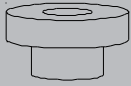
1 X  
W450-0032 (1/4-20)



## 7 Handle Installation Charcoal Tray Adjustment

Insert handle through slot in side shelf as shown. Fit over shaft protruding from base. Align holes and secure with (1) 1/4-20 x 2" screw and (1) 1/4-20 locking nut.

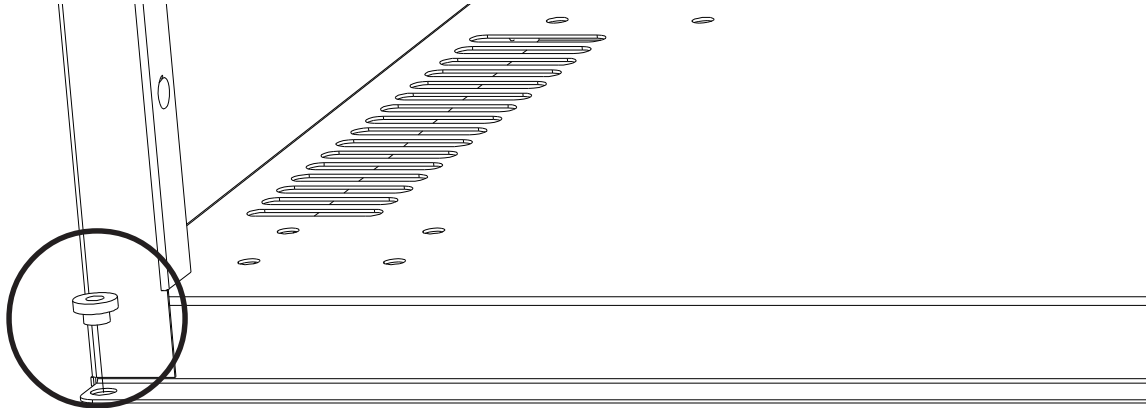




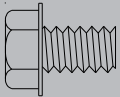
2 x N105-0011 DOOR BUSHING

## 8 Bushing Installation

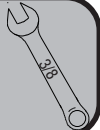
Insert bushing into either end of bottom shelf.



4 x N570-0073  
(1/4-20 X 3/8")

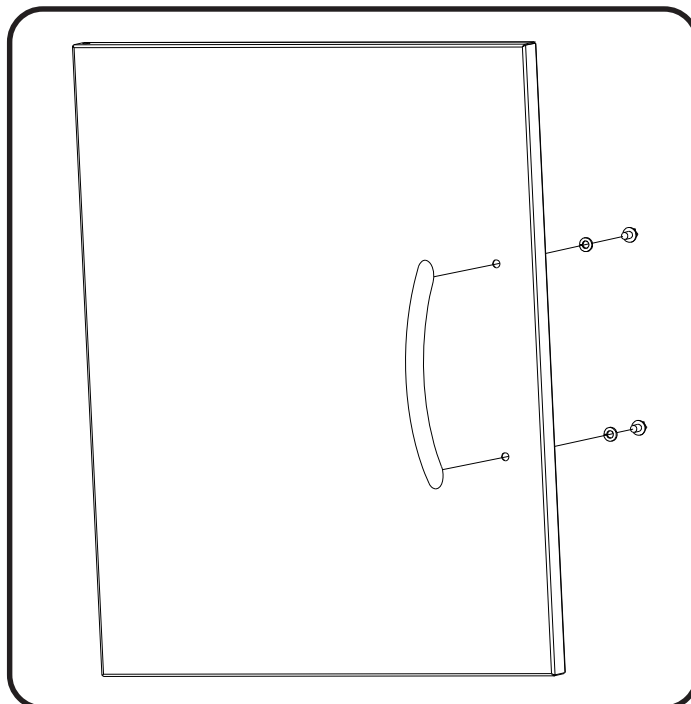


4 X N735-0003  
(1/4" LOCK WASHER)



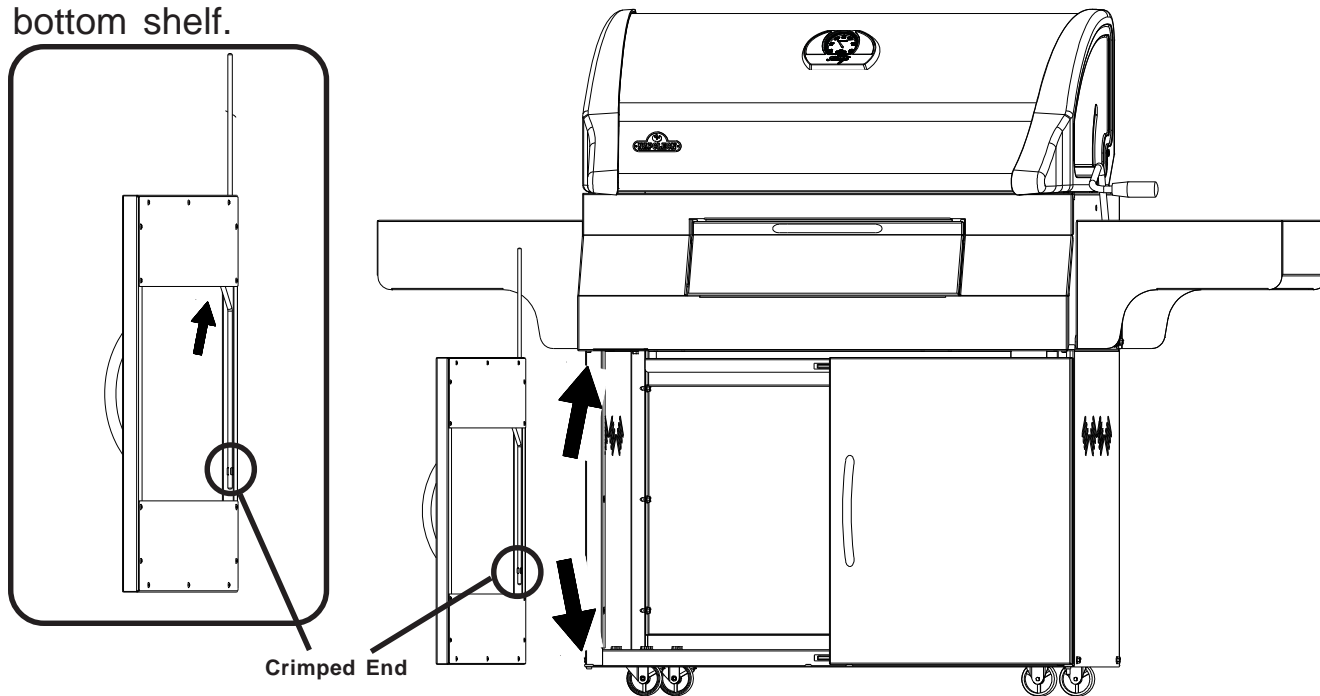
## 9 Door Handle Installation

Install door handle onto front of door using (2) 1/4-20 x 3/8" screws and (2) 1/4" washers per door.



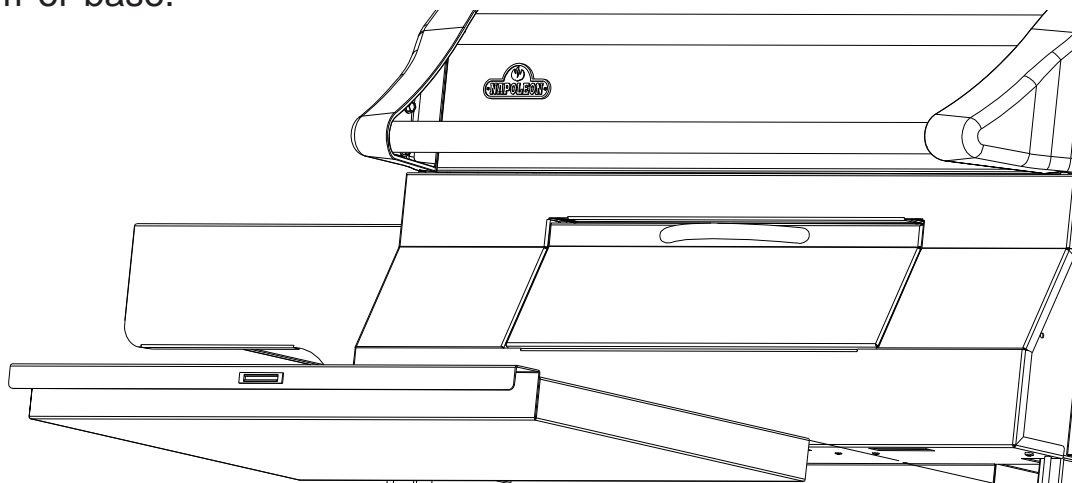
## 10 Cabinet Door Installation

Insert pivot rod (crimped end down) through hole on inside top of door. Holding door in one hand, direct pivot rod into hole in underside of front panel. Once secure, let rod slide down and through hole in bottom of door and into bushing in bottom shelf.



## 11 Ash Tray / Drip Pan Installation

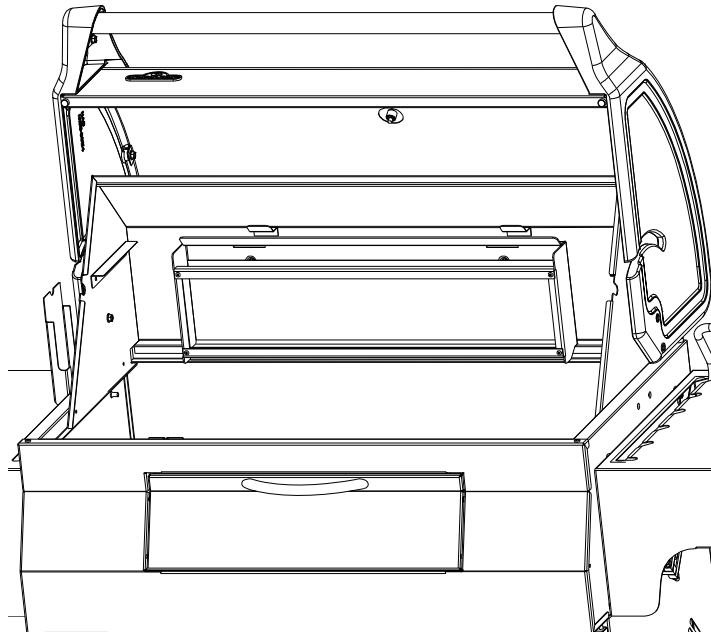
Slide drip pan into front of base as shown. Ensure drip pan rides along rails on bottom of base.



## 12 Rear Chamber Installation (Rotisserie Burner)

⚠ Only Install rear chamber when using.

Slide rear chamber over brackets on inside of hood as shown.

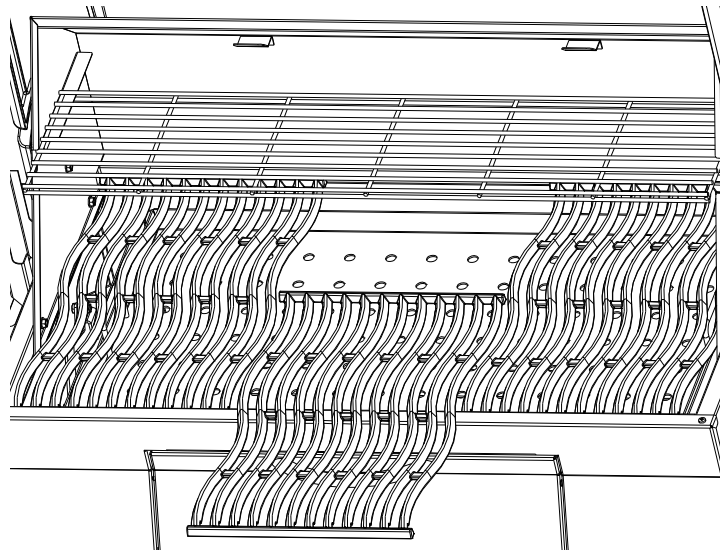


3 X N305-0064

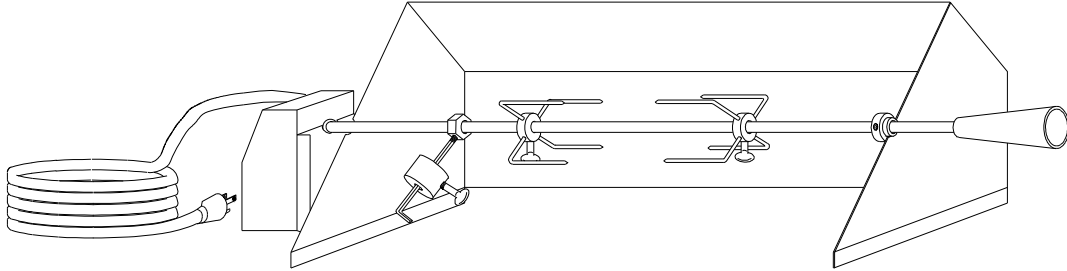
1 X N520-0024

## 13 Grill and Warming Rack Installation.

Rest warming rack on brackets inside hood, and insert grills into unit so they sit on back and front lip of base.



## 14 Rotisserie Kit Installation (optional)



### NOTES

# PARTS LIST

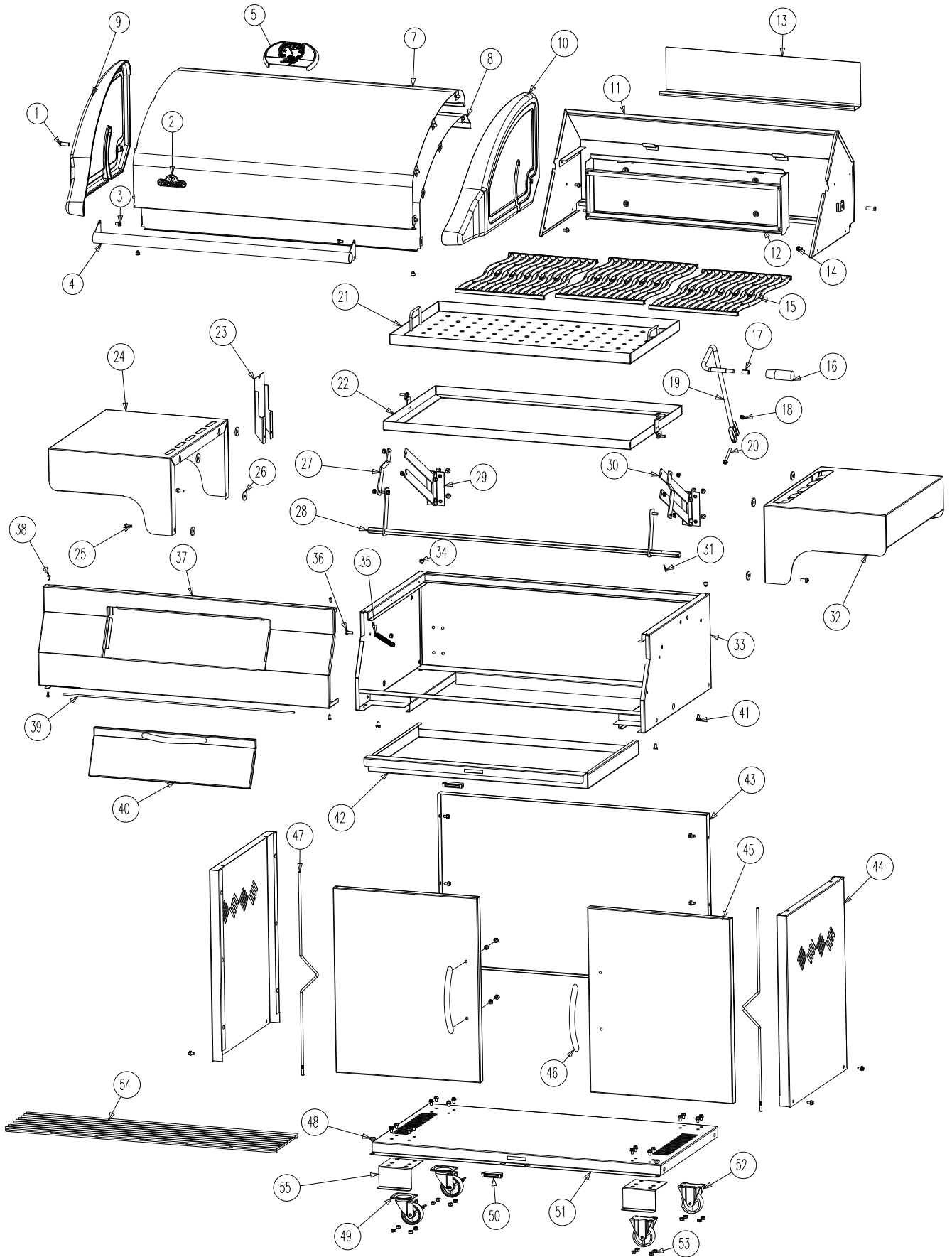
Item	Part #	Description	605
1	N570-0015	lid pivot screw	x
2	N385-0129	NAPOLEON logo	x
	W450-0005	logo spring clips	x
	N510-0010	black silicone lid bumper	x
3	N570-0073	1/4-20 x 3/8" screw	x
4	N010-0517	lid handle	x
5	N685-0005	temperature gauge	x
7	N335-0044L	stainless steel lid insert	x
8	N585-0042	heat shield lid	x
9	N135-0024K	left side lid casting	x
10	N135-0025K	right side lid casting	x
11	N010-0553	hood assembly	x
12	N010-0550P	rear burner assembly	x
13	N565-0005	rear burner screen	x
14	N570-0008	#8 x 1/2" screw	x
15	N305-0064	cooking grids - cast iron	x
16	N325-0054	handle outer charcoal tray lever	x
17	N540-0004	snap ring	x
18	W450-0032	locking nut 1/4-20	x
19	N010-0555P	handle assembly charcoal tray lever	x
20	N570-0084	1/4-20 x 2" screw	x
21	N010-0606P	charcoal tray assembly	x
22	N010-0551P	charcoal tray frame assembly	x
23	N475-0199	rotisserie mount	x
24	N590-0166	stainless steel side shelf - left	x
25	N570-0082	1/4-20 x 5/8" screw	x
26	N735-0001	insulated washer	x
27	N080-0241P	bracket offset	x
28	N010-0552P	lever assembly	x
29	N080-0219	bracket rear arm	x
30	N655-0103P	support arm	x
31	N485-0012	cotter pin	x
32	N590-0167	stainless steel side shelf - right	x
33	N010-0549	base assembly	x
34	N510-0010	black silicone lid bumper	x
35	N630-0004	spring	x
36	N570-0082	1/4-20 x 5/8" screw	x
37	N010-0562	base front panel assembly	x
38	N570-0013	#8 x 1/2" screw	x
39	N555-0034	pivot rod charcoal access door	x
40	N010-0554	charcoal access door assembly	x
41	N570-0082	1/4-20 x 3/8" screw	x
42	N710-0057P	ash tray / drip pan	x
43	N475-0214P	rear cart panel	x
44	N475-0213P	left and right cart panel	x
45	N010-0548	cart door assembly	x
46	N325-0048	door handle	x
	N570-0073	1/4-20 x 3/8" screw	x
	N735-0003	1/4" lockwasher	x
47	N555-0018	door pivot rod	x
48	N105-0011	door bushings	x
49	N130-0012	revolving caster	x
50	N430-0002	magnetic catch	x



# PARTS LIST

Item	Part #	Description	605
51	N590-0165P	bottom shelf	x
52	N130-0013	non revolving caster	x
53	N450-0027	locking nut 1/4-20	x
54	N520-0024	w arming rack	x
55	N080-0212P	stability bracket	x
	N370-0454	rotisserie kit	ac
	N555-0021	rotisserie spit	ac
	63605	vinyl cover	ac
	56017	stainless steel griddle	ac

x - standard      ac - accessory





**FAX TO: 705 727 4282**

**GOURMET GRILLS**

*Award Winning Products*

**ACCESSORIES & PARTS ORDER FORM**

PLEASE PRINT CLEARLY

CONTACT NAME: \_\_\_\_\_

SHIP TO : \_\_\_\_\_

\_\_\_\_\_  
\_\_\_\_\_  
\_\_\_\_\_

TEL : \_\_\_\_\_

FAX : \_\_\_\_\_

EMAIL: \_\_\_\_\_

VISA OR MASTERCARD # : \_\_\_\_\_ EXPIRY DATE: \_\_\_\_\_

SIGNATURE: \_\_\_\_\_

QUANTITY	PART NUMBER	DESCRIPTION

TAXES MAY APPLY  
SHIPPING EXTRA

IF CONFIRMATION IS REQUIRED PLEASE INCLUDE A FAX NUMBER OR EMAIL ADDRESS





APPOSER L'ÉTIQUETTE DU  
NUMÉRO DE SÉRIE DU CARTON



N° de série

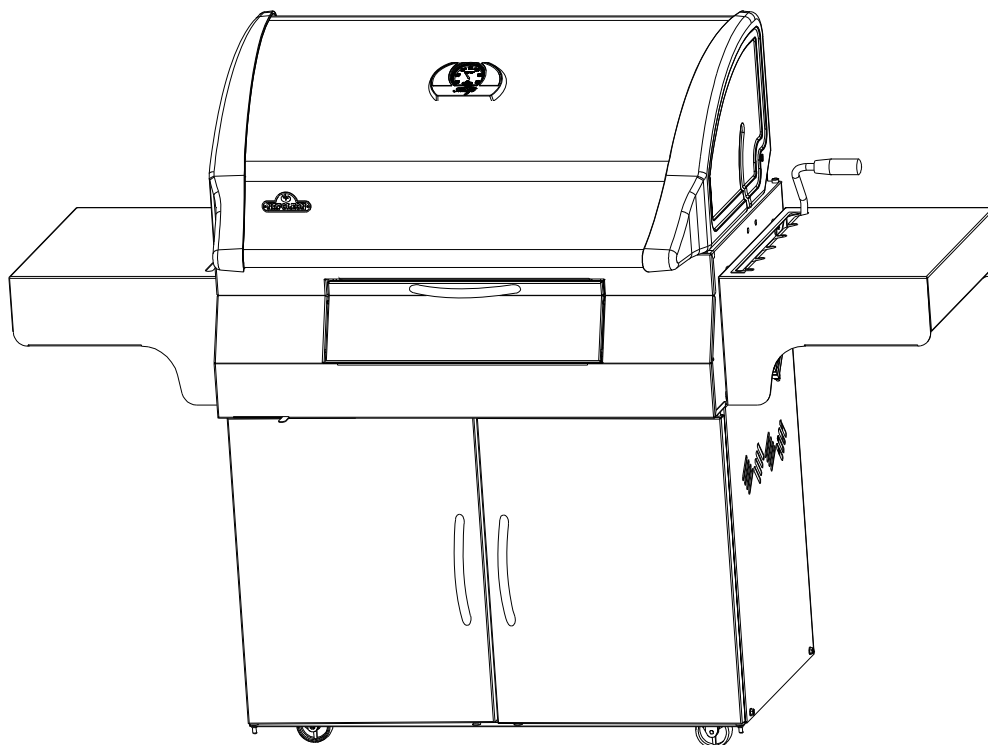
XXXXXX000000

N° DE MODÈLE

## GRILL AU CHARBON DE BOIS POUR L'EXTÉRIEUR

### MANUEL D'ASSEMBLAGE, D'UTILISATION ET D'ENTRETIEN

CE GRIL DOIT ÊTRE UTILISÉ UNIQUEMENT À L'EXTÉRIEUR DANS UN ENDROIT BIEN AÉRÉ  
CONSERVEZ CE MANUEL POUR CONSULTATION ULTÉRIEURE



#### AVERTISSEMENT



Ne tentez pas d'allumer cet appareil avant d'avoir lu les instructions d'allumage de ce manuel.



#### DANGER



La combustion du charbon de bois dégage du monoxyde de carbone. Ne faites pas brûler de charbon de bois dans une maison, un garage, une tente, un véhicule ou dans un endroit clos.

**SI CES INSTRUCTIONS NE SONT PAS SUIVIES À LA LETTRE, UN INCENDIE POURRAIT S'ENSUIVRE, CAUSANT DES BLESSURES GRAVES OU LA MORT.**

NAPOLEON APPLIANCE CORPORATION.,  
214 BAYVIEW DR., BARRIE, ONTARIO, CANADA L4N 4Y8 TÉLÉPHONE : 705-726-4278  
TÉLÉC. : 705-725-2564 C. ÉLEC. : care@nac.on.ca SITE WEB : www.napoleongrills.com

N415-0176 APR 30/09

## MERCI D'AVOIR CHOISI NAPOLÉON

Les produits NAPOLÉON sont conçus avec des composants et des matériaux de qualité supérieure, assemblés par des artisans qualifiés qui sont fiers de leur travail. Ce gril a été soigneusement inspecté par un technicien qualifié avant d'être emballé et expédié pour garantir que vous, le client, recevez le produit de qualité dont vous attendez de NAPOLÉON. Chez Napoléon, notre priorité c'est vous, cher client. Notre objectif est de vous fournir les outils nécessaires pour rendre inoubliable cette expérience de cuisson sur le gril. Ce manuel vous est fourni pour vous aider lors de l'assemblage, l'installation et l'entretien de votre nouveau gril. Il est important de lire et de comprendre ce manuel en entier avant d'utiliser votre nouveau gril afin de vous assurer de bien comprendre toutes les consignes de sécurité et toutes les caractéristiques de votre gril. En suivant attentivement les instructions de ce manuel, vous profiterez de votre gril pendant de nombreuses années, et ce, sans tracas. Si nous ne répondons pas à vos attentes pour quelque raison que ce soit, veuillez contacter notre département du service aux consommateurs au 1-866-820-8686 entre 9 h et 17 h (heure normale de l'Est) ou visitez notre site Web.



## GARANTIE À VIE LIMITÉE DU PRÉSIDENT DES GRILS NAPOLÉON

**NAPOLÉON garantit votre nouveau gril contre tous défauts concernant les matériaux et la fabrication tant et aussi longtemps que vous êtes propriétaire du gril. Cette garantie couvre : la fonte d'aluminium (excluant la peinture), les roues, les boutons de contrôle, les appliqués pour couvercle en acier inoxydable et les poignées de couvercle, sous réserve des conditions suivantes. Pendant les cinq premières années, NAPOLÉON fournira gratuitement les pièces de rechange selon son choix. De la sixième année à vie, NAPOLÉON fournira les pièces de rechange à 50 % du prix de détail courant.**

**Les composants tels que les grilles de cuisson en fonte, les mécanismes de levage et les jauges de température sont couverts et NAPOLÉON fournira les pièces gratuitement durant les deux premières années de la garantie limitée.**

**Les composants tels que les roulettes, les grilles de réchaud, les pièces d'assemblage et les accessoires sont couverts et NAPOLÉON fournira les pièces gratuitement durant la première année de la garantie limitée. NAPOLÉON n'assumera aucuns frais d'expédition, de main-d'oeuvre ou de taxes d'exportation.**

## CONDITIONS ET LIMITATIONS

« NAPOLÉON garantit ses produits contre les défauts de fabrication à l'acheteur d'origine seulement, à condition que l'achat ait été fait par l'entremise d'un détaillant autorisé NAPOLÉON et sous réserve des conditions et limitations suivantes. »

Cette garantie du fabricant n'est pas transférable et ne peut être prolongée ou étendue par aucun de nos représentants quelle qu'en soit la raison.

Le gril doit être installé par un installateur ou entrepreneur qualifié. L'installation doit être faite conformément aux instructions d'installation incluses avec le produit et à tous les codes d'incendie et de construction locaux et nationaux.

Cette garantie limitée ne couvre pas les dommages causés par un mauvais usage, un manque d'entretien, des feux de graisse, un environnement inadéquat, un accident, des altérations, des abus ou de la négligence, et l'installation de pièces d'autres fabricants annulera cette garantie.

Cette garantie limitée ne couvre pas non plus les égratignures, les bossellements, les surfaces peintes, la corrosion ou la décoloration causés par la chaleur ou les produits d'entretien chimiques et abrasifs, ni l'écaillage des pièces en porcelaine émaillée ni les composants utilisés dans l'installation du gril.

Dans le cas d'une détérioration des composants causant un mauvais fonctionnement de l'appareil pendant la période couverte par la garantie, les pièces de rechange seront fournies par Napoléon.

Au cours de la première année seulement, cette garantie s'étend à la réparation ou au remplacement des pièces garanties dont les matériaux ou la fabrication sont défectueux sous condition que le produit ait été utilisé conformément aux instructions de fonctionnement et dans des conditions normales.

Après la première année, concernant cette Garantie à Vie Limitée du Président, NAPOLÉON peut, à sa discrétion, se libérer entièrement de toutes obligations concernant cette garantie en remboursant à l'acheteur d'origine le prix de gros de toute pièce garantie qui est défectueuse.

**NAPOLÉON ne sera pas responsable de l'installation, de la main-d'oeuvre ou autres coûts ou dépenses relatives à la réinstallation d'une pièce garantie, et de telles dépenses ne sont pas couvertes par cette garantie.**

Nonobstant toutes les dispositions contenues dans cette Garantie à Vie Limitée du Président, la responsabilité de NAPOLÉON sous cette garantie est définie comme ci-dessus et elle ne s'appliquera à aucun dommage accidentel, consécutif ou indirect.

Cette garantie définit les obligations et les responsabilités de NAPOLÉON concernant le gril NAPOLÉON; toutes autres garanties exprimées ou implicites concernant ce produit, ses composants ou accessoires sont exclues.

NAPOLÉON n'endosse ni n'autorise aucun tiers à assumer en son nom toute autre responsabilité concernant la vente de ce produit. NAPOLÉON ne sera pas responsable d'une surchauffe, de l'extinction du brûleur causée par des conditions environnementales telles que des vents forts ou une ventilation inadéquate.

Tous dommages causés au gril par les intempéries, la grêle, un usage abusif ou l'utilisation de produits chimiques ou de produits d'entretien nuisibles ne seront pas la responsabilité de NAPOLÉON.

La facture ou sa copie sera requise ainsi que le numéro de série et de modèle du gril lors d'une réclamation auprès de NAPOLÉON.

NAPOLÉON se réserve le droit de demander à son représentant d'inspecter tous produits ou pièces avant d'honorer toute réclamation.

NAPOLÉON n'assumera aucuns frais de transport, de main-d'oeuvre ou taxes d'exportation.



# PRATIQUES SÉCURITAIRES D'UTILISATION



**DANGER : LISEZ ATTENTIVEMENT TOUTES LES INSTRUCTIONS AVANT DE FAIRE FONCTIONNER LE GRIL. SI CES INSTRUCTIONS NE SONT PAS SUIVIES À LA LETTRE, UN INCENDIE POURRAIT S'ENSUIVRE, CAUSANT DES BLESSURES GRAVES OU LA MORT.**

- ▲ Lisez le manuel d'instructions en entier avant d'utiliser le gril.
- ▲ Ce gril ne devra être modifié en aucun cas.
- ▲ Suivez attentivement les instructions d'allumage lorsque vous faites fonctionner le gril.
- ▲ N'allumez pas les charbons de bois avec le couvercle fermé.
- ▲ Ne vous penchez pas au-dessus du gril lors de l'allumage.
- ▲ Avant d'allumer le compartiment arrière (brûleur arrière), il doit être positionné sur les supports à l'intérieur de la hotte.
- ▲ N'employez pas d'essence, d'alcool ou d'autres liquides volatiles pour allumer les charbons de bois.
- ▲ Utilisez UNIQUEMENT de l'allume-briquettes liquide approuvé. Avant d'allumer les briquettes, assurez-vous de bien essuyer tout liquide qui s'est écoulé par la base du gril.
- ▲ N'ajoutez jamais d'allume-briquettes liquide sur des briquettes chaudes ou tièdes.
- ▲ Après utilisation et avant l'allumage, le contenant d'allume-briquettes liquide doit être refermé et entreposé à une distance sécuritaire du gril, au moins 25 pieds.
- ▲ Tenez les enfants et les animaux éloignés du gril chaud. NE LAISSEZ PAS les enfants grimper dans le cabinet.
- ▲ Ne laissez pas le gril sans surveillance lorsqu'il est utilisé.
- ▲ Ne pas déplacer le gril pendant qu'il fonctionne ou qu'il est chaud.
- ▲ Ce gril ne doit pas être installé dans ou sur des véhicules récréatifs et/ou des bateaux.
- ▲ Ce gril doit être utilisé uniquement à l'extérieur, dans un endroit bien aéré et ne doit jamais être utilisé à l'intérieur d'un bâtiment, d'un garage, d'une véranda avec paramoustique, d'un gazebo ou tout autre endroit fermé.
- ▲ Respectez les dégagements recommandés aux matériaux combustibles (16" à l'arrière du gril et 7" sur les côtés). Ces mêmes dégagements sont aussi recommandés à proximité d'un recouvrement de vinyle ou d'une grande surface vitrée.
- ▲ En tout temps, gardez les ouvertures d'aération du cabinet libres et exemptes de débris.
- ▲ N'ajustez pas le bac à charbon de bois avec vos mains à l'intérieur du gril. En tout temps, garder les mains et les doigts éloignés des mécanismes de levage.
- ▲ Ne placez pas le gril sous une construction combustible non protégée.
- ▲ Ne pas utiliser ce gril sous une installation couverte comme une couverture, un abri d'auto, un auvent ou tout ouvrage en surplomb.
- ▲ N'installez pas le gril dans un endroit venteux. Les vents forts nuiront à la performance de cuisson de votre gril.
- ▲ Le couvercle doit être fermé lors de la période de préchauffage du gril.
- ▲ Le tiroir d'égouttement et à cendres doit être installé lors de l'utilisation du gril.
- ▲ Nettoyez régulièrement le tiroir d'égouttement et à cendres pour empêcher les accumulations qui pourraient causer des feux de graisse.
- ▲ N'utilisez pas les tablettes latérales pour entreposer des briquets, des allumettes ou autres matériaux inflammables.
- ▲ En tout temps, le gril doit être sur une surface de niveau.
- ▲ Pour éviter d'endommager le fini de votre gril, n'utilisez pas d'eau pour contrôler les poussées de flamme ou pour éteindre les briquettes.
- ▲ Pour contrôler les poussées de flammes, fermez un peu les portes d'alimentation en air du gril. Pour éteindre complètement les briquettes ou un feu, fermez entièrement toutes les portes d'alimentation en air et le couvercle.
- ▲ Utilisez des ustensiles de cuisson appropriés avec de longs manches résistant à la chaleur.
- ▲ Utilisez des gants pour le gril ou des sous-plats pour protéger vos mains lors de la cuisson ou du réglage des portes d'alimentation en air.
- ▲ N'enlevez pas les cendres du gril avant que les briquettes soient complètement brûlées et éteintes. Laissez-les refroidir suffisamment.
- ▲ Enlevez les briquettes et les cendres, entreposez-les dans un contenant en métal incombustible et laissez reposer 24 heures avant de les jeter.
- ▲ Tenez les cordons d'alimentation électriques loin de l'eau et des surfaces chaudes.
- ▲ Utilisez toujours ce gril en conformité avec les codes locaux.

# INSTRUCTIONS D'ALLUMAGE

- ⚠️ **INSTALLEZ LE GRIL À L'EXTÉRIEUR SUR UNE SURFACE SOLIDE, DE NIVEAU ET INCOMBUSTIBLE. N'UTILISEZ JAMAIS LE GRIL SUR UNE SURFACE EN BOIS OU TOUTE AUTRE SURFACE COMBUSTIBLE.**
- ⚠️ **NE VOUS PENCHEZ PAS AU-DESSUS DU GRIL LORS DE L'ALLUMAGE.**

⚠️ **OUVREZ LE COUVERCLE.**

⚠️ **AVERTISSEMENT : LE TIROIR À CENDRES DOIT ÊTRE EN PLACE LORS DE L'ALLUMAGE ET EN TOUT TEMPS DURANT L'UTILISATION.**

ASSUREZ-VOUS QUE LES PORTES D'ALIMENTATION EN AIR SONT COMPLÈTEMENT OUVERTES. LES BRIQUETTES ONT BESOIN D'OXYGÈNE POUR BRÛLER, ALORS ASSUREZ-VOUS QUE LES PORTES D'ALIMENTATION EN AIR NE SOIENT PAS OBSTRUÉES.

ALLUMAGE DU COMPARTIMENT PRINCIPAL

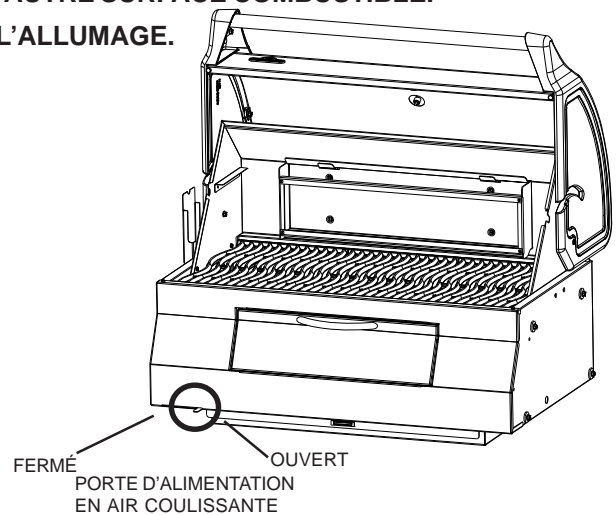
PLACEZ LES BRIQUETTES DE CHARBON DE BOIS (10 LB MAXIMUM) DANS LE BAC À CHARBON, SANS TROP LE REMPLIR. EMPILEZ LES BRIQUETTES EN FORME DE PYRAMIDE.

AJOUTEZ DE L'ALLUME-BRIQUETTES LIQUIDE SELON LES DIRECTIVES INDICUÉES SUR LE CONTENANT. LE COUVERCLE DU GRIL LEVÉ, LAISSEZ LE LIQUIDE IMBIBER LES BRIQUETTES DE 2 À 3 MINUTES. AVANT D'ALLUMER LES BRIQUETTES, ASSUREZ-VOUS DE BIEN ESSUYER TOUT LIQUIDE QUI S'EST ÉCOULÉ PAR LA BASE DU GRIL. REFERMEZ LE CONTENANT D'ALLUME-BRIQUETTES LIQUIDE ET ENTREPOSEZ-LE LOIN DU GRIL.

EN LAISSANT LE COUVERCLE OUVERT, ÉCARTEZ-VOUS DU GRIL ET ALLUMEZ LE CHARBON, AVEC SOIN, À L'AIDE D'UNE LONGUE ALLUMETTE OU D'UN BRIQUET. LAISSEZ BRÛLER JUSQU'À CE QUE LES BRIQUETTES SOIENT COUVERTES D'UNE LÉGÈRE CENDRE GRISE (ENVIRON 20 MINUTES).

LORSQUE LES BRIQUETTES SONT COUVERTES DE CENDRE GRISE, ÉTALEZ-LES UNIFORMÉMENT À L'AIDE D'UNE PINCE À LONGS MANCHES RÉSISTANT À LA CHALEUR, PUIS COMMENCEZ LA CUISSON.

**COMME ALTERNATIVE À DE L'ALLUME-BRIQUETTES LIQUIDE, TREMPÉZ LÉGÈREMENT UN MORCEAU DE PAPIER CHIFFONNÉ OU DE CARTON DANS L'HUILE VÉGÉTALE. PLACEZ LE PAPIER OU LE CARTON IMBIBÉ AU CENTRE DU BAC À CHARBON, PUIS DISPOSEZ LES BRIQUETTES EN FORME DE PYRAMIDE TOUT AUTOUR. ALLUMEZ LE TOUT AVEC SOIN À L'AIDE D'UNE LONGUE ALLUMETTE. SI VOUS OPTÉZ POUR CETTE MÉTHODE, N'EMPLOYEZ PAS D'ALLUME-BRIQUETTES LIQUIDE COMME INDICUÉ CI-DESSUS.**



ALLUMAGE DU COMPARTIMENT ARRIÈRE (BRÛLEUR ARRIÈRE)

PLACEZ LES BRIQUETTES DE CHARBON DE BOIS DANS LE BAC À CHARBON, SANS TROP LE REMPLIR.

ENLEVEZ LA GRILLE DE RÉCHAUD. AVANT L'ALLUMAGE, ASSUREZ-VOUS QUE LE COMPARTIMENT ARRIÈRE EST BIEN POSITIONNÉ. IL DEVRAIT ÊTRE SUSPENDU AUX SUPPORTS DE LA HOTTE.

AJOUTEZ DE L'ALLUME-BRIQUETTES LIQUIDE SELON LES DIRECTIVES INDICUÉES SUR LE CONTENANT. LE COUVERCLE DU GRIL LEVÉ, LAISSEZ LE LIQUIDE IMBIBER LES BRIQUETTES DE 2 À 3 MINUTES. AVANT D'ALLUMER LES BRIQUETTES, ASSUREZ-VOUS DE BIEN ESSUYER TOUT LIQUIDE QUI S'EST ÉCOULÉ PAR LA BASE DU GRIL. REFERMEZ LE CONTENANT D'ALLUME-BRIQUETTES LIQUIDE ET ENTREPOSEZ-LE LOIN DU GRIL.

EN LAISSANT LE COUVERCLE OUVERT, ÉCARTEZ-VOUS DU GRIL ET ALLUMEZ LE CHARBON, AVEC SOIN, À L'AIDE D'UNE LONGUE ALLUMETTE OU D'UN BRIQUET. LAISSEZ BRÛLER JUSQU'À CE QUE LES BRIQUETTES SOIENT COUVERTES D'UNE LÉGÈRE CENDRE GRISE (ENVIRON 20 MINUTES).

LORSQUE LES BRIQUETTES SONT COUVERTES DE CENDRE GRISE, ÉTALEZ-LES UNIFORMÉMENT À L'AIDE D'UNE PINCE À LONGS MANCHES RÉSISTANT À LA CHALEUR, PUIS COMMENCEZ LA CUISSON.

⚠️ **NE FAITES PAS FONCTIONNER LE COMPARTIMENT ARRIÈRE LORSQUE LE COMPARTIMENT PRINCIPAL FONCTIONNE.**

# FONCTIONNEMENT DU GRIL

## RODAGE:

Lorsqu'il est allumé pour la première fois, le gril dégagera une légère odeur. Ceci est un phénomène normal et temporaire causé par l'évaporation des peintures et lubrifiants internes utilisés dans le processus de fabrication et ne se reproduira plus. Faites simplement fonctionner le gril à « high » pendant une demi-heure, le couvercle fermé.

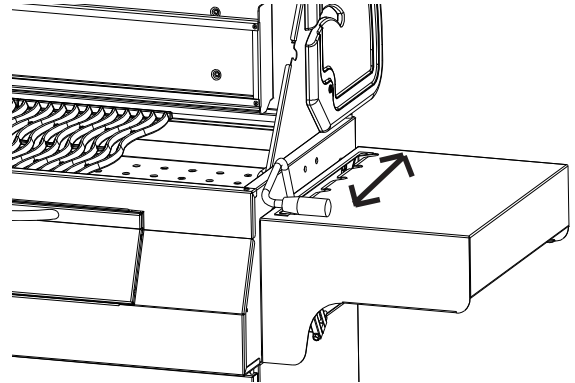
## UTILISATION DU COMPARTIMENT PRINCIPAL:

Le bac à charbon de bois peut être ajusté selon six réglages. Pour un rendement optimal, nous vous conseillons de le fixer à la position la plus élevée, soit le plus près possible des grilles de cuisson. Les températures peuvent être réduites en abaissant le bac pour l'éloigner des aliments et en fermant les portes d'alimentation en air.

### ATTENTION

**N'ajustez pas le bac à charbon de bois avec vos mains à l'intérieur du gril. En tout temps, garder les mains et les doigts éloignés des mécanismes de levage.**

Le préchauffage du gril est recommandé en le faisant fonctionner une vingtaine de minutes, le couvercle fermé. Les charbons de bois sont prêts lorsqu'ils sont légèrement couverts de cendre grise. Les aliments qui cuisent rapidement (poisson, légumes) peuvent être grillés avec le couvercle ouvert. La cuisson avec le couvercle fermé assurera des températures plus élevées et plus égales. Ceci réduira le temps de cuisson et les aliments seront cuits plus uniformément. Pour que les viandes très maigres, comme de la poitrine de poulet ou du porc maigre, collent moins lors de la cuisson, vous pouvez huiler les grilles avant de préchauffer le gril. La cuisson de viandes très grasses peut causer des poussées de flamme. Pour les éviter, enlevez une partie du gras ou réduisez la température. Si une poussée de flamme survient, éloignez les aliments des flammes, réduisez la chaleur (en réduisant l'ouverture des portes d'alimentation en air et en abaissant le bac à charbon). Laissez le couvercle ouvert.



**Règle générale, la cuisson d'une livre de viande requiert approximativement une trentaine de briquettes. Si la cuisson exige plus de 30 à 40 minutes, vous devrez ajouter d'autres briquettes. Lorsque le temps est venteux ou froid, vous devrez utiliser davantage de briquettes pour atteindre une température de cuisson idéale.**

## CUISSON DIRECTE:


Placez les aliments à cuire sur la grille de cuisson, directement au-dessus de la chaleur. Cette méthode est habituellement utilisée pour faire saisir les aliments ou pour la nourriture nécessitant une courte cuisson - les burgers, les steaks, le poulet, les légumes, etc. La nourriture est d'abord saisie afin d'emprisonner les jus et la saveur, puis la température est réduite afin de terminer la cuisson selon vos préférences.

## CUISSON INDIRECTE:

Lors de la cuisson indirecte, le bac contenant les charbons devrait être placé du côté opposé à celui où vous désirez cuire vos aliments. La chaleur circulera tout autour des aliments pour les cuire lentement et uniformément. Ce type de cuisson ressemble à la cuisson dans un four et est généralement utilisé pour les plus grosses pièces de viande telles que les rôtis, les poulets ou les dindes, mais il peut aussi être utilisé pour cuire la nourriture ayant tendance à produire des poussées de flamme. Cette méthode de cuisson, utilisant des températures plus basses et des temps de cuisson plus longs, donnera une viande plus tendre chaque fois.

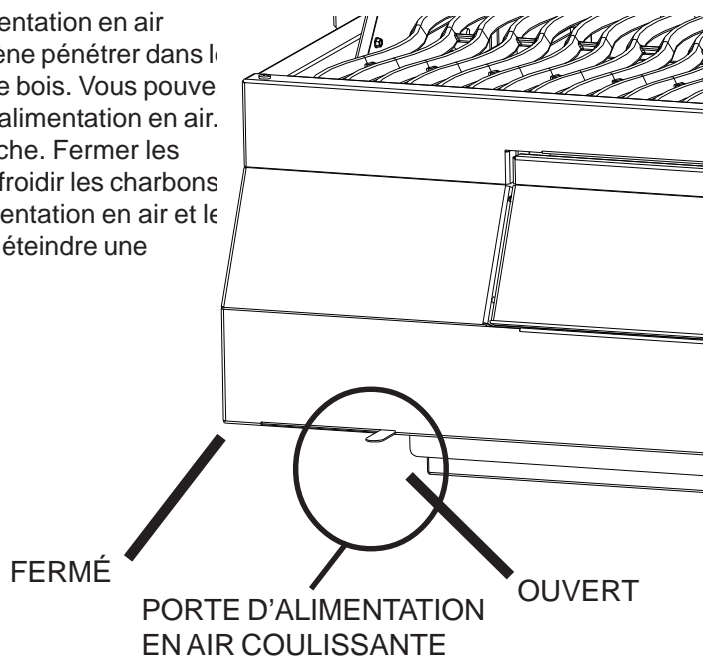
## AJOUT DE BRIQUETTES EN COURS DE CUISSON:

Ouvrez avec précaution la porte située sur le devant de la base. Soyez prudent, car les briquettes peuvent s'embraser au contact de l'air. Pour ajouter d'autres briquettes, tenez-vous à une distance sécuritaire du gril et utilisez une pince à longs manches résistant à la chaleur.

** Avertissement:** N'ajoutez jamais d'allume-briquettes liquide sur des briquettes chaudes ou tièdes. Nul besoin d'ajouter de l'allume-briquettes liquide sur des charbons de bois déjà allumés.

## FONCTIONNEMENT DES PORTES D'ALIMENTATION EN AIR:

Lorsque le couvercle du gril est fermé, les portes d'alimentation en air doivent habituellement être ouvertes pour laisser l'oxygène pénétrer dans le gril. L'oxygène accroîtra la température des charbons de bois. Vous pouvez contrôler la température du gril en ajustant les portes d'alimentation en air. Pour ce faire, glissez les portes vers la droite ou la gauche. Fermer les portes, partiellement ou complètement, aidera à faire refroidir les charbons de bois. Ne fermez pas complètement les portes d'alimentation en air et le couvercle, à moins de vouloir refroidir les charbons ou d'éteindre une flamme.



## UTILISATION DU COMPARTIMENT ARRIÈRE (BRÛLEUR ARRIÈRE):

**⚠** Installez le compartiment arrière uniquement lorsque vous désirez l'utiliser.

**Enlevez la grille de réchaud avant l'utilisation.** Les grilles de cuisson doivent aussi être enlevées si elles nuisent à la rôtissoire. Avant l'allumage, assurez-vous que le compartiment arrière est installé sur les supports situés à l'intérieur de la hotte. Le brûleur arrière est conçu pour être utilisé conjointement avec la rôtissoire offerte chez votre détaillant. Consultez les instructions d'assemblage de la rôtissoire. Pour utiliser le contrepoids, retirez le moteur de la rôtissoire du gril. Insérez la broche sur laquelle vous avez disposé la viande à cuire sur les crochets à l'intérieur du gril. Naturellement, le côté le plus lourd pendra.

Serrez la tige du contrepoids et le poids, de façon à ce que la tige soit à la verticale. Ajustez le contrepoids en le glissant vers le haut ou le bas pour équilibrer la charge, puis serrez en place. Réinstallez le moteur et commencez la cuisson. Placez un récipient sous la viande pour recueillir les jus. Ceux-ci serviront à badigeonner et à faire une délicieuse sauce. Si désiré, vous pouvez ajouter un liquide à badigeonner. Pour de meilleurs résultats, gardez le couvercle fermé. Vos rôtis et volailles seront grillés à la perfection à l'extérieur et leur chair sera tendre et juteuse. Par exemple, la cuisson d'un poulet de 3 livres avec la rôtissoire exigera environ 1 ½ heure à une chaleur moyenne à élevée.

Pour ajouter d'autres briquettes, tenez-vous à une distance sécuritaire du gril et utilisez une pince à longs manches résistant à la chaleur.

**Avertissement :** N'ajoutez jamais d'allume-briquettes liquide sur des briquettes chaudes ou tièdes. Nul besoin d'ajouter de l'allume-briquettes liquide sur des briquettes déjà allumées.

## GUIDE DE CUISSON AU CHARBON DE BOIS

Le charbon de bois est la méthode traditionnelle de cuisson à l'infrarouge avec laquelle nous sommes le plus familier. Les briquettes incandescentes émettent de l'énergie infrarouge à l'aliment qui se fait cuire et ce, avec très peu d'assèchement. Les jus ou les huiles qui s'échappent des aliments tombent sur le charbon de bois et se vaporisent en fumée pour donner un délicieux goût grillé aux aliments. Pour saisir instantanément les aliments, le bac à charbon peut être installé à la position la plus élevée. Pour une cuisson plus lente, il peut être abaissé. En conclusion, le gril au charbon de bois de Napoléon® produit un rayonnement intense qui vous donnera des steaks, des viandes et des hamburgers plus juteux et plus savoureux. Pour connaître les temps de cuisson et certains conseils, consultez le tableau de cuisson.

Le tableau suivant n'est qu'à titre indicatif seulement. Les temps de cuisson sont influencés par des facteurs tels que l'altitude, la température extérieure, le vent et le degré de cuisson désiré.

## TABLEAU DE CUISSON AU CHARBON DE BOIS

ALIMENT	CUISSON DIRECTE OU INDIRECTE	TEMPS DE CUISSON	SUGGESTIONS
Bifteck 1" d'épaisseur	Cuisson directe	6 à 8 min. à chaleur moyenne	Lorsque vous choisissez votre viande, demandez une viande qui est marbrée. Le gras de la viande agira comme un élément attendrissant durant la cuisson et gardera la viande plus juteuse.
Burger ½" d'épaisseur	Cuisson directe	6 à 8 min. à chaleur moyenne	Pour terminer la cuisson de vos burgers tous en même temps, nous vous conseillons de varier l'épaisseur de vos galettes. Pour ajouter une saveur exotique à votre viande, ajoutez des copeaux de bois à saveur de hickory aux briquettes.
Morceaux de poulet	Cuisson directe approx. 2 min. par côté, puis cuisson indirecte pour les 18 à 20 min. restantes.	20 à 25 min.	L'articulation qui retient le pilon à la cuisse doit être coupée au 3/4 à partir du côté sans peau afin de permettre à la viande d'être plus à plat sur la grille de cuisson. Ceci permettra à la viande de cuire de façon plus uniforme et plus rapidement. Pour ajouter une touche personnelle à votre poulet, ajoutez des copeaux de bois à saveur de mesquite aux briquettes.
Côtelettes de porc	Cuisson directe	10 à 15 min.	Coupez l'excès de gras avant de faire cuire. Choisissez des côtelettes de porc plus épaisses pour obtenir une viande plus tendre.
Côtes levées	Cuisson directe pendant 5 min., cuisson indirecte pour terminer	1,5 à 2 heures, en tournant souvent	Choisissez des côtes bien charnues et maigres. Grillez jusqu'à ce que la viande se détache facilement des os.
Côtelettes d'agneau	Cuisson directe	25 à 30 min.	Coupez l'excès de gras avant de faire cuire. Choisissez des côtelettes très épaisses pour obtenir une viande plus tendre.
Saucisses	Cuisson directe	4 à 6 min.	Choisissez des saucisses plus grosses. Faites une entaille dans la peau, sur la longueur de la saucisse avant de faire griller.

## CONSIGNES DE SÉCURITÉ APRÈS L'UTILISATION

- Fermez le couvercle et toutes les portes d'alimentation en air pour éteindre le feu.
- Laissez refroidir complètement le grill avant de le manipuler.
- Ne laissez pas sans surveillance un grill qui contient des charbons ou des cendres. Assurez-vous qu'ils sont complètement éteints avant de les enlever.
- Enlevez les charbons restants et la cendre du grill. Soyez prudent afin de vous protéger et d'éviter d'endommager la propriété. Placez les charbons restants et la cendre dans un contenant métallique incombustible, puis saturez le tout avec de l'eau. Attendez 24 heures avant de disposer du contenu.

## INSTRUCTIONS D'ENTRETIEN ET DE NETTOYAGE

**Nous vous recommandons de vider le tiroir d'égouttement et à cendres après chaque utilisation. Assurez-vous que le grill est refroidi et que tous les charbons sont complètement éteints avant d'enlever tout composant du grill.**

- N'utilisez pas de laveuse à pression pour nettoyer les composants du grill.

Évitez tout contact avec les surfaces chaudes. Nettoyez votre grill dans un endroit où les produits de nettoyage n'endommageront pas votre patio, pelouse ou terrasse. N'utilisez pas de produit à nettoyer les fours pour nettoyer votre grill au charbon de bois. N'utilisez pas un four autonettoyant pour nettoyer les grilles de cuisson ou tout autre composant de votre grill au charbon de bois. La sauce BBQ et le sel sont corrosifs et causeront une détérioration rapide de votre grill au charbon de bois à moins de le nettoyer régulièrement.

**L'entretien devrait être effectué seulement lorsque le grill est froid pour éviter toutes possibilités de brûlure.**



**GRILLES DE CUISSON ET GRILLES DE RÉCHAUD:** Les grilles de cuisson et la grille de réchaud sont plus faciles à nettoyer durant la période de préchauffage en utilisant une brosse en laiton. Une laine d'acier peut être utilisée pour les taches les plus tenaces.

**NETTOYAGE DE L'INTÉRIEUR DU GRIL:** Enlevez les grilles de cuisson. Utilisez une brosse en laiton pour enlever les débris non incrustés sur les côtés de la cuve et à l'intérieur du couvercle. Grattez l'intérieur de la cuve avec un couteau à mastic ou un grattoir, puis utilisez une brosse en laiton pour enlever les dépôts de carbone. Nettoyez l'intérieur du gril avec une brosse en faisant tomber les débris dans le tiroir d'égouttement et à cendres amovible. Si désiré, vous pouvez nettoyer l'intérieur du gril avec un savon doux et de l'eau. Rincez à fond avec de l'eau claire et essuyez.

**TIROIR D'ÉGOUTTEMENT ET À CENDRES:** Sortez le tiroir d'égouttement pour en faciliter le nettoyage. Il devrait être nettoyé après chaque utilisation afin d'éviter une accumulation de graisse. Les cendres, la graisse et les jus de cuisson tombent dans le tiroir d'égouttement situé sous le gril et créent une accumulation. L'accumulation de graisse peut présenter un risque de feu. Le tiroir d'égouttement devrait être gratté à l'aide d'un couteau à mastic ou d'un grattoir en jetant les débris dans un contenant métallique incombustible. Nettoyez le tiroir d'égouttement et à cendres avec un détergent doux et de l'eau. Rincez à fond avec de l'eau claire et essuyez.

**NETTOYAGE DE L'EXTÉRIEUR DU GRIL:** N'utilisez pas de produits abrasifs pour nettoyer les pièces peintes, en porcelaine émaillée ou en acier inoxydable. Utilisez une solution d'eau savonneuse chaude pour nettoyer l'extérieur du gril pendant qu'il est encore tiède au toucher. Pour nettoyer les surfaces en acier inoxydable, utilisez un nettoyant à acier inoxydable ou un nettoyant tout usage sans abrasif. Frottez toujours dans le sens du grain. N'utilisez pas de laine d'acier car elle égratignerait le fini. Les pièces en acier inoxydable vont décolorer de façon permanente sous l'effet de la chaleur pour habituellement prendre une teinte dorée ou brune. Cette décoloration est normale et n'affectera pas la performance du gril.

## DÉPANNAGE

Problème	Causes possibles	Solutions
Faible chaleur / petite flamme.	Mauvais préchauffage.  Circulation d'air insuffisante.  Quantité de briquettes insuffisantes.  Bac à charbon mal positionné.	Laissez brûler les briquettes jusqu'à ce qu'elles soient légèrement couvertes de cendre grise.  Ouvrez les portes d'alimentation en air.  Ajoutez des briquettes dans le bac à charbon de bois.  Relevez-le à la position la plus élevée.
Poussées de flamme excessives / chaleur inégale.	Mauvais préchauffage.  Accumulation excessive de graisse et de cendre dans le tiroir d'égouttement et à cendres.  Bac à charbons mal positionné.	Préchauffez le gril, le couvercle fermé, pendant 20 à 25 minutes.  Nettoyez le tiroir régulièrement. Ne tapissez pas le tiroir de papier d'aluminium. Consultez les instructions de nettoyage.  Abaissez-le à la position la plus basse.
La peinture semble peler à l'intérieur du couvercle ou de la hotte.	Accumulation de graisse sur les surfaces intérieures.	Ceci n'est pas un défaut. Le fini du couvercle et de la hotte est en acier inoxydable et ne pèlera pas. Le pelage est causé par la graisse qui durcit et sèche comme des éclats de peinture qui pèlent. Un nettoyage régulier préviendra ce problème. Consultez les instructions de nettoyage.



# COMMANDE DES PIÈCES DE RECHANGE

## INFORMATION SUR LA GARANTIE

MODÈLE: \_\_\_\_\_

DATE D'ACHAT: \_\_\_\_\_

NUMÉRO DE SÉRIE : \_\_\_\_\_

GARDEZ VOTRE REÇU  
COMME PREUVE  
D'ACHAT POUR VALIDER  
LA GARANTIE

**(pour en faciliter la consultation, inscrivez vos renseignements ici)**

Avant de contacter le département du service aux consommateurs, consultez le site Web de NAC pour obtenir plus d'instructions sur le nettoyage, l'entretien, le dépannage et le remplacement des pièces à [www.napoleongrills.com](http://www.napoleongrills.com). Contactez le fabricant directement pour obtenir des pièces de rechange et faire des réclamations au titre de la garantie. Le département du service aux consommateurs est à votre disposition entre 9 h et 17 h (heure normale de l'Est) au 1-866-820-8686 ou par télécopieur au 705-727-4282. Pour qu'une réclamation soit traitée, l'information suivante est nécessaire :

1. Modèle et numéro de série de l'appareil.
2. Numéro de la pièce et description.
3. Description concise du problème (« brisé » n'est pas suffisant).
4. Preuve d'achat (copie de la facture).

Dans certains cas, le département du service aux consommateurs peut demander de retourner la pièce pour des fins d'inspection avant de fournir une pièce de rechange. Les pièces doivent être expédiées port payé à l'attention du département du service aux consommateurs avec l'information suivante :

1. Modèle et numéro de série de l'appareil.
2. Description concise du problème (« brisé » n'est pas suffisant).
3. Preuve d'achat (copie de la facture).
4. Numéro d'autorisation de retour - fourni par le représentant du département du service aux consommateurs.

Avant de contacter le service aux consommateurs, veuillez prendre note que les items suivants ne sont pas couverts par la garantie :

- coûts de transport, de courtage et frais d'exportation;
- coûts de main-d'oeuvre pour l'enlèvement et l'installation de la pièce;
- coûts des appels de service pour diagnostiquer le problème;
- décoloration des pièces en acier inoxydable;
- bris des pièces causé par un manque d'entretien et de nettoyage, ou par l'utilisation de nettoyeurs inappropriés (nettoyant à four).

# INSTRUCTIONS D'ASSEMBLAGE

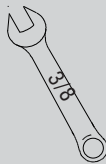
**⚠ ATTENTION:** Lors du déballage et de l'assemblage, il est recommandé de porter des gants de travail et des lunettes de sécurité pour votre protection. Bien que nous ayons fait tous les efforts pour rendre le processus d'assemblage le plus simple et le plus sécuritaire possible, les coins et les bords des pièces fabriquées en acier peuvent être coupants et peuvent causer des blessures s'ils sont manipulés de façon incorrecte lors de l'assemblage.

## POUR COMMENCER

1. Retirez tous les panneaux, le matériel et la cuve de gril du carton d'emballage. Soulevez le couvercle et enlevez les composants qui se trouvent à l'intérieur. Servez-vous de la liste de pièces pour vous assurer que toutes les pièces nécessaires sont incluses.
2. Ne détruisez pas l'emballage jusqu'à ce que le gril ait été complètement assemblé et qu'il fonctionne à votre satisfaction.
3. Assemblez le gril là où il sera utilisé et posez un carton ou une serviette afin d'éviter de perdre ou d'endommager les pièces lors de l'assemblage.
4. La plupart des pièces en acier inoxydable possèdent un revêtement de plastique protecteur qui doit être enlevé avant d'utiliser le gril.
5. Suivez toutes les instructions dans l'ordre donné dans ce manuel.
6. Deux personnes sont requises pour soulever la cuve de gril et la placer sur le chariot assemblé.

## OUTILS REQUIS POUR L'ASSEMBLAGE (outils non inclus)

CLÉ OU  
CLIQUET OU  
TOURNEVIS  
À DOUILLE  
3/8 (10 mm)



CLÉ OU  
CLIQUET OU  
TOURNEVIS  
À DOUILLE  
7/16 (11 mm)

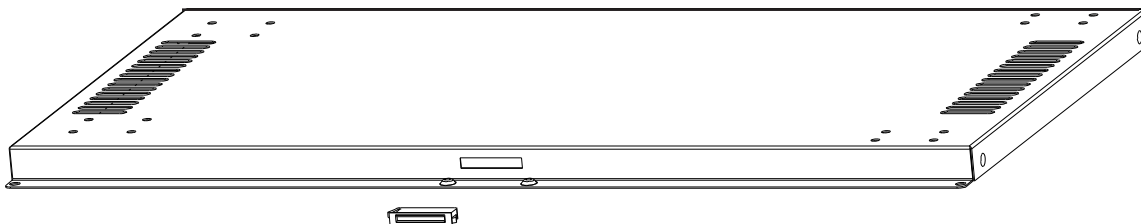


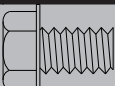
**Si vous avez des questions à propos de l'assemblage ou du fonctionnement du gril, ou si des pièces sont manquantes ou endommagées, veuillez appeler notre département du service aux consommateurs au 1-866-820-8686 entre 9 h et 17 h (heure normale de l'Est), du lundi au vendredi.**


1 x N430-0002  
LOQUET MAGNÉTIQUE

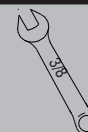
## 1 Installation du loquet magnétique

Insérez le loquet magnétique dans la fente à l'avant de la tablette inférieure.



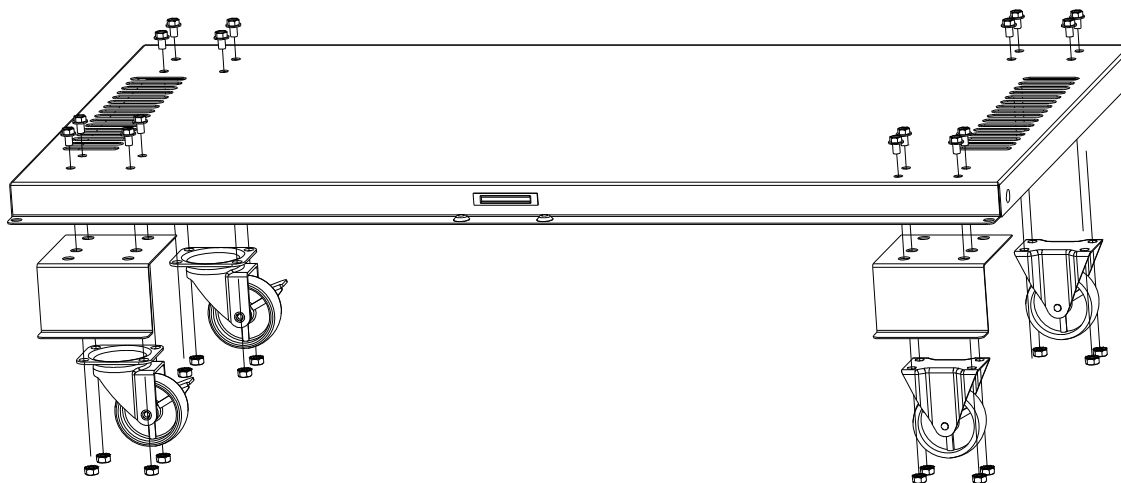
16 X   
N570-0073 (1/4-20 X 3/8")

16 X   
N450-0027 (1/4-20)



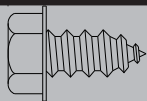
## 2 Installation des roulettes

Attachez les quatre (4) roulettes en utilisant quatre (4) vis de 1/4 - 20 X 3/8" et quatre (4) contre-écrous de 1/4-20 pour chaque roulette. Serrez fermement.

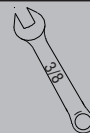


roulettes non pivotantes - côté droit

4 X

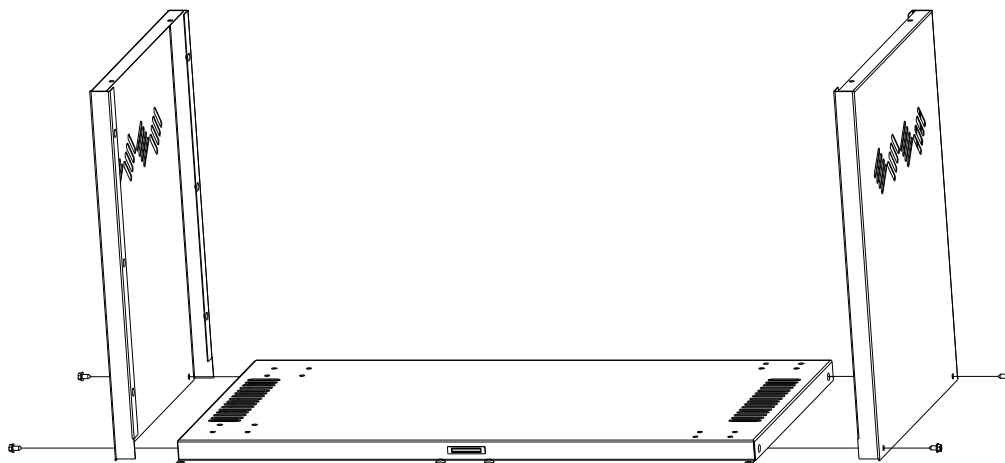


N570-0080 (#14 X 1/2")

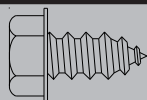


### 3 Installation des panneaux de gauche et de droite du chariot

Installez les panneaux du chariot en vous assurant que les fentes du panneau sont situées en haut. Appuyez les panneaux contre la tablette inférieure et alignez les trous. Fixez en utilisant quatre (4) vis #14 x 1/2".



6 X

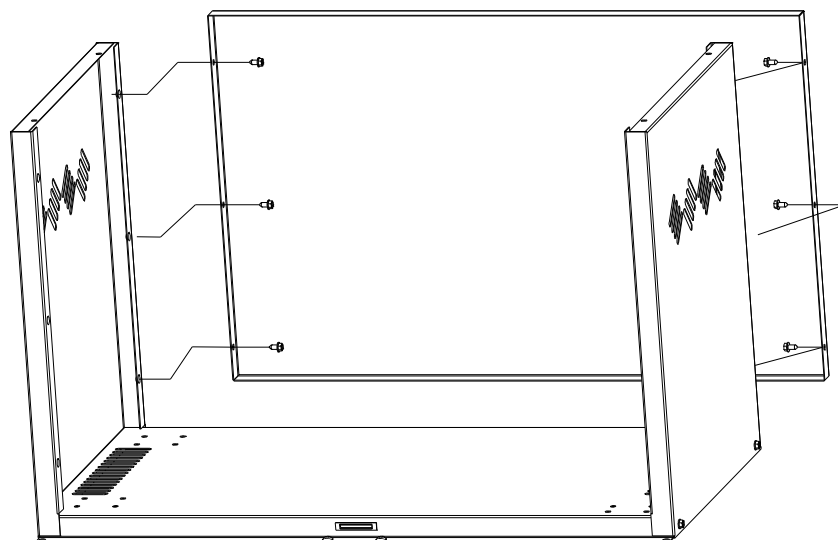


N570-0080 (#14 X 1/2")

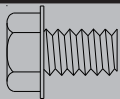


### 4 Installation du panneau arrière du chariot

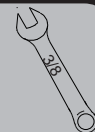
Placez le panneau arrière du chariot entre les deux panneaux latéraux. Fixez en utilisant six (6) vis #14 x 1/2", trois de chaque côté.



6 X

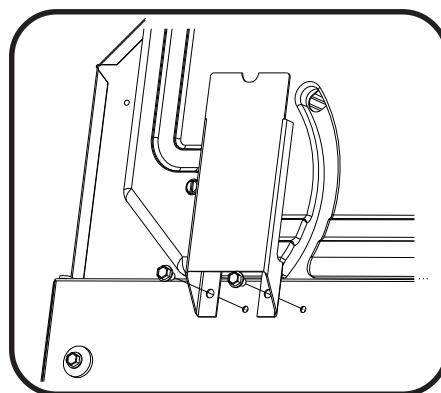
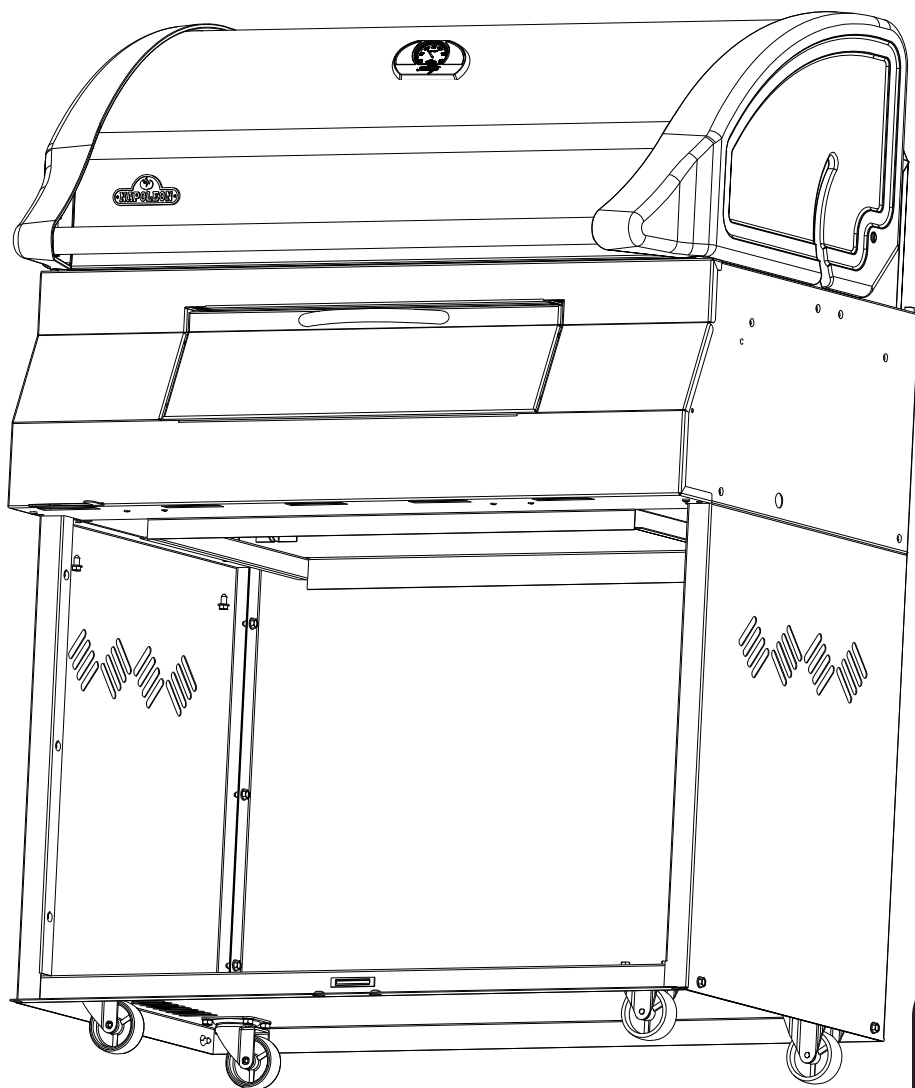


N570-0073 (1/4-20 X 3/8")



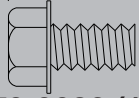
## 5 Installation de la cuve de grill

Soulevez la cuve de grill et installez-la sur le chariot assemblé en alignant les trous au sommet des panneaux latéraux avec les trous au bas de la cuve. Fixez de l'intérieur en utilisant quatre (4) vis de 1/4-20 x 3/8", deux par côté. Installez le support de rôtissoire à la gauche du grill comme illustré, en utilisant deux (2) vis de 1/4-20 x 3/8".



**DEUX PERSONNES SONT  
REQUISES POUR EFFECTUER  
CETTE ÉTAPE.**

8 X

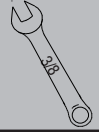


N570-0082 (1/4-20 x 5/8")

8 X

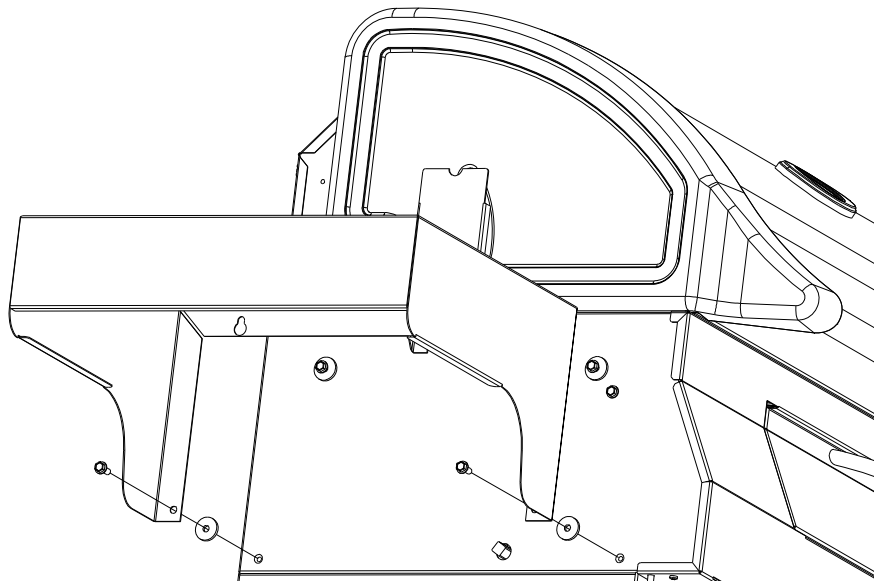
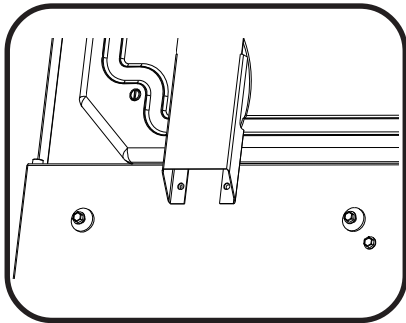


N735-0001 (1 1/16" RONDELLE ISOLÉE)



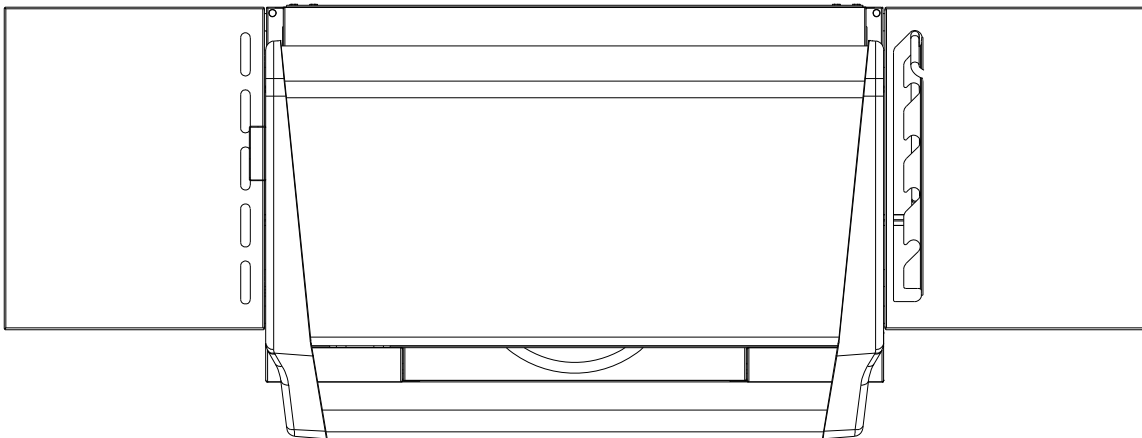
## 6 Installation de la tablette latérale

Insérez deux (2) vis de 1/4-20 x 5/8" dans les rondelles jusque dans les trous supérieurs du côté de la cuve. Ne serrez pas jusqu'au bout. Faites glisser la tablette latérale par-dessus les têtes des vis. Alignez les trous inférieurs de la tablette latérale avec les trous inférieurs de la cuve, puis placez les rondelles restantes entre la tablette latérale et la cuve, comme illustré. Insérez les vis restantes dans la tablette latérale, puis dans la cuve. Terminez le serrage.

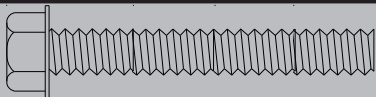


**TABLETTE GAUCHE**

**TABLETTE DROITE**



1 X

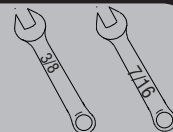


N570-0084 (1/4-20 x 2")

1 X



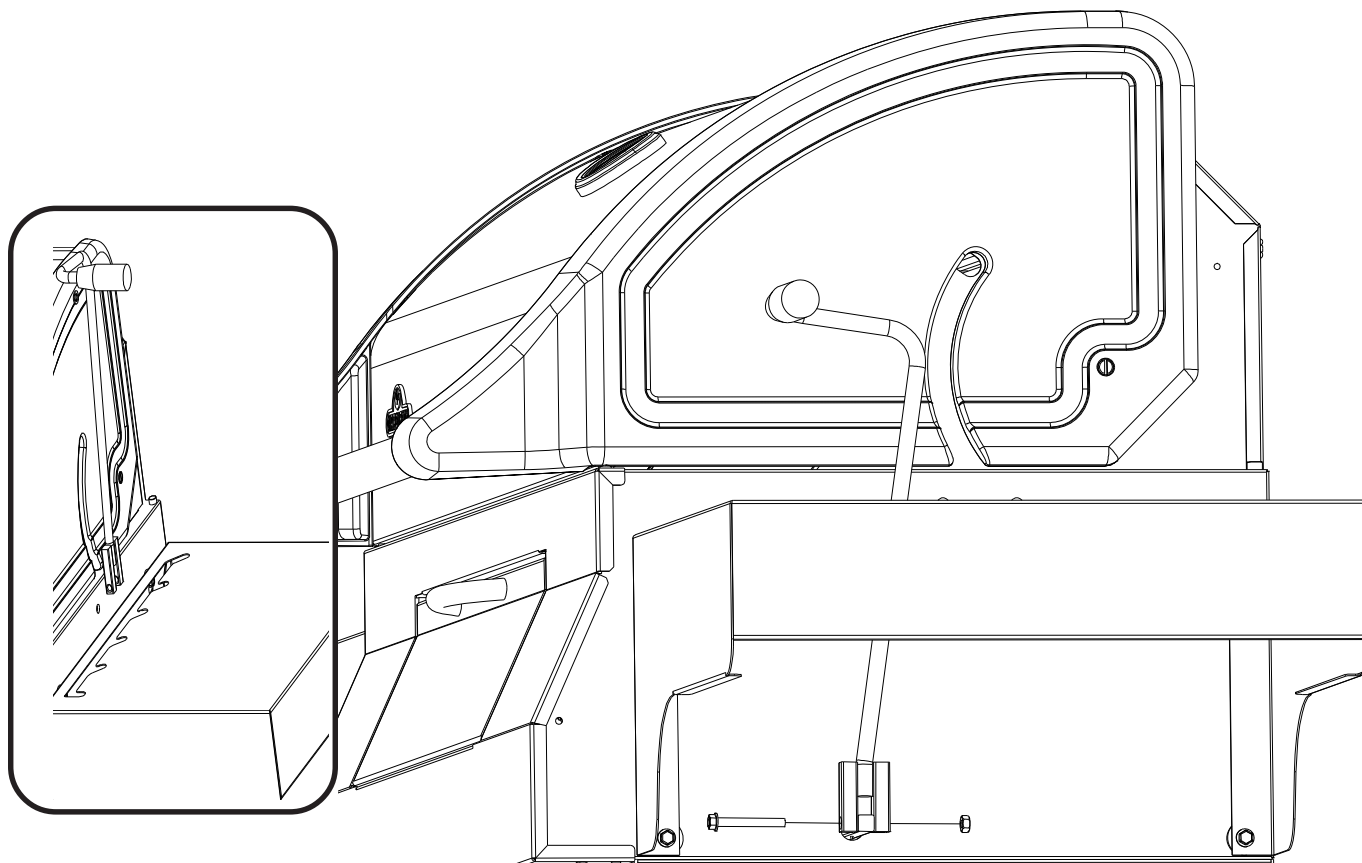
W450-0032 (1/4-20)

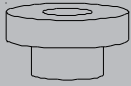


**7**

## Installation de la poignée et ajustement du bac à charbon de bois

Insérez la poignée dans la fente de la tablette latérale, comme illustré. Placez-la sur la tige qui émerge de la cuve. Alignez les trous et fixez avec une (1) vis 1/4-20 x 2" et un (1) contre-écrou 1/4-20.

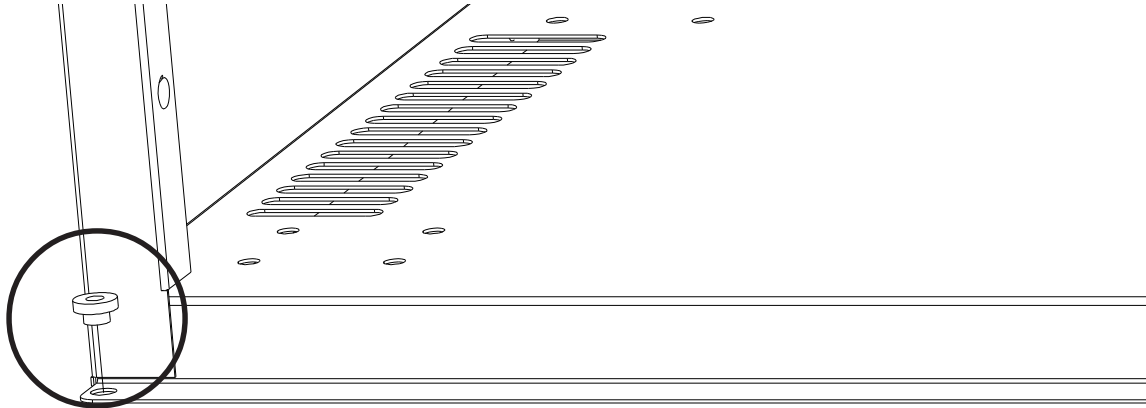




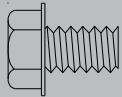
2 x N105-0011 BAGUE DE PORTE

## 8 Installation des bagues de porte

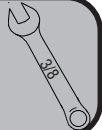
Insérez les bagues dans chaque extrémité de la tablette inférieure.



4 x N570-0073  
(1/4-20 X 3/8")

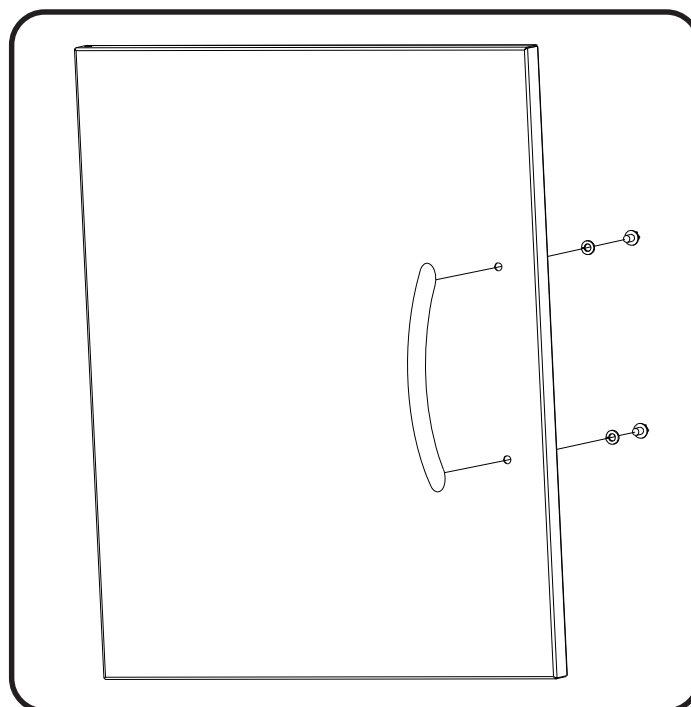


4 X N735-0003  
(1/4" RONDELLE DE BLOCAGE)



## 9 Installation de la poignée de la porte

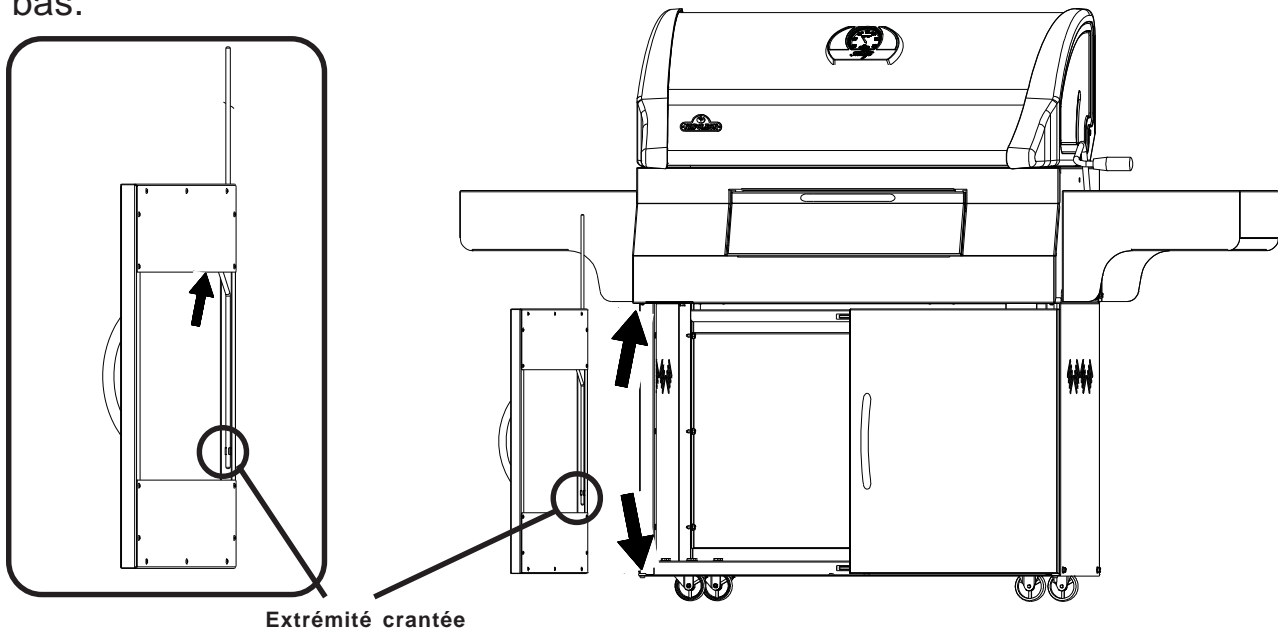
Installez la poignée de porte à l'avant de la porte à l'aide de deux (2) vis de 1/4-20 x 3/8" et de deux (2) rondelles 1/4" par porte.





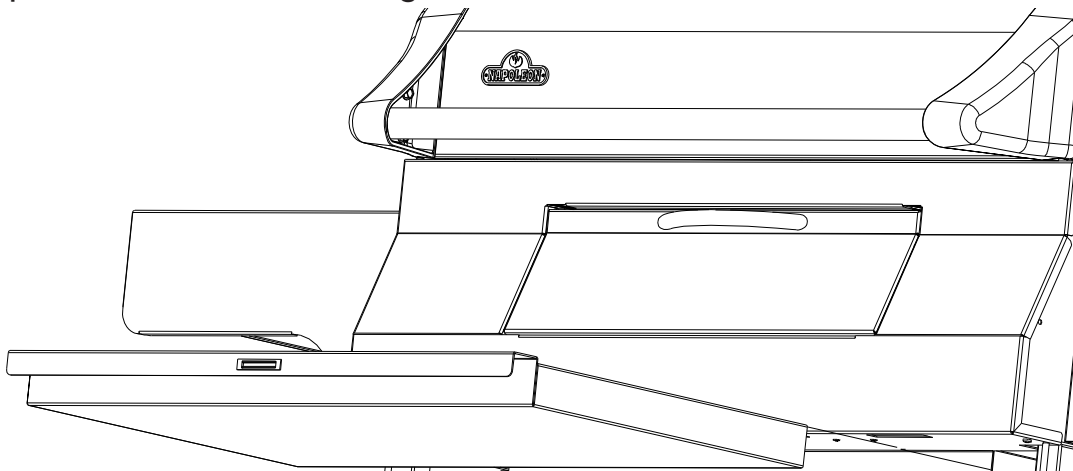
## 10 Installation de la porte du cabinet

Insérez la tige pivot (l'extrémité crantée vers le bas) dans le trou situé dans le haut, à l'intérieur de la porte. En tenant la porte d'une main, dirigez la tige pivot dans le trou situé sous le support avant du cabinet. Lorsqu'elle est fixée, laissez glisser la tige vers le bas, dans le trou inférieur de la porte et dans la bague de la tablette du bas.



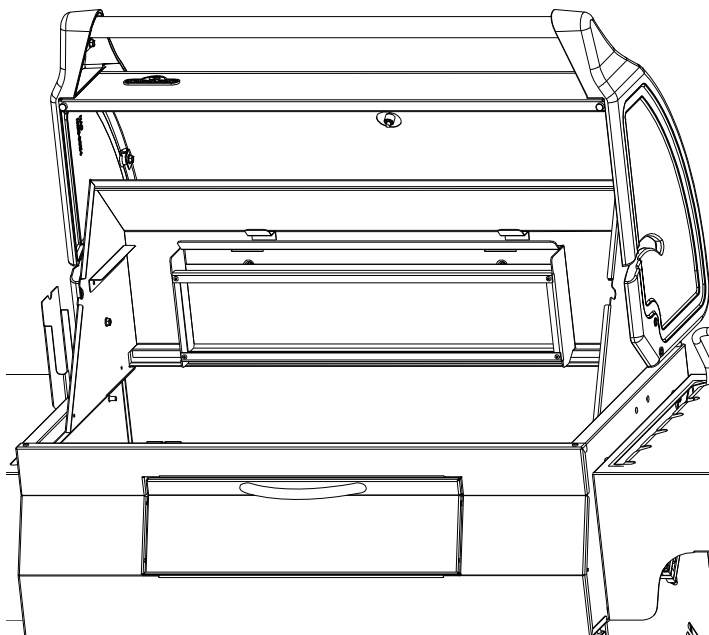
## 11 Installation du tiroir d'égouttement et à cendres

Insérez le tiroir d'égouttement sur le devant de la cuve, comme illustré. Assurez-vous que le tiroir circule le long des rails au bas de la cuve.



## 12 Installation du compartiment arrière (brûleur arrière)

⚠ Installez le compartiment arrière uniquement lorsque vous désirez l'utiliser. Glissez le compartiment arrière sur les supports à l'intérieur de la hotte, comme illustré.

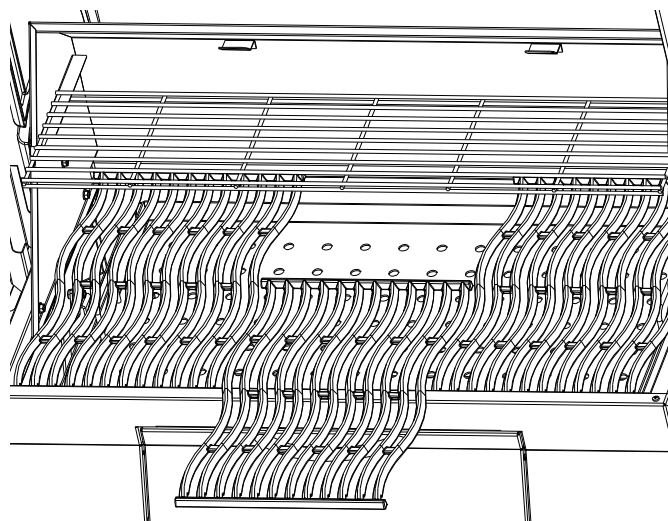


3 X N305-0064

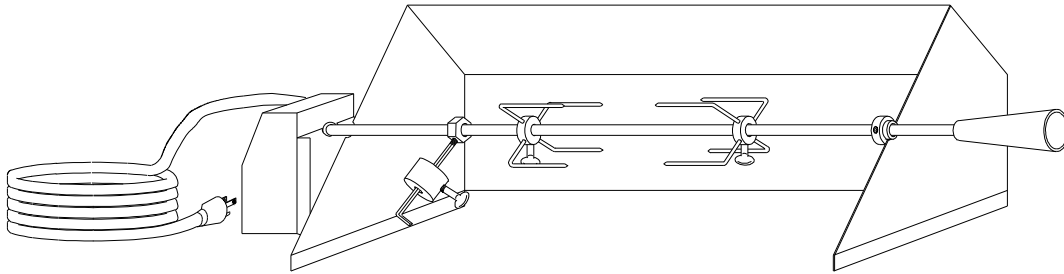
1 X N520-0024

## 13 Installation des grilles de cuisson et de la grille de réchaud

Placez la grille de réchaud sur les supports situés à l'intérieur de la hotte, et les grilles de cuisson sur les bordures avant et arrière de la cuve.



## 14 Installation de la rôtissoire (facultatif)



### NOTES

# LISTE DE PIÈCES

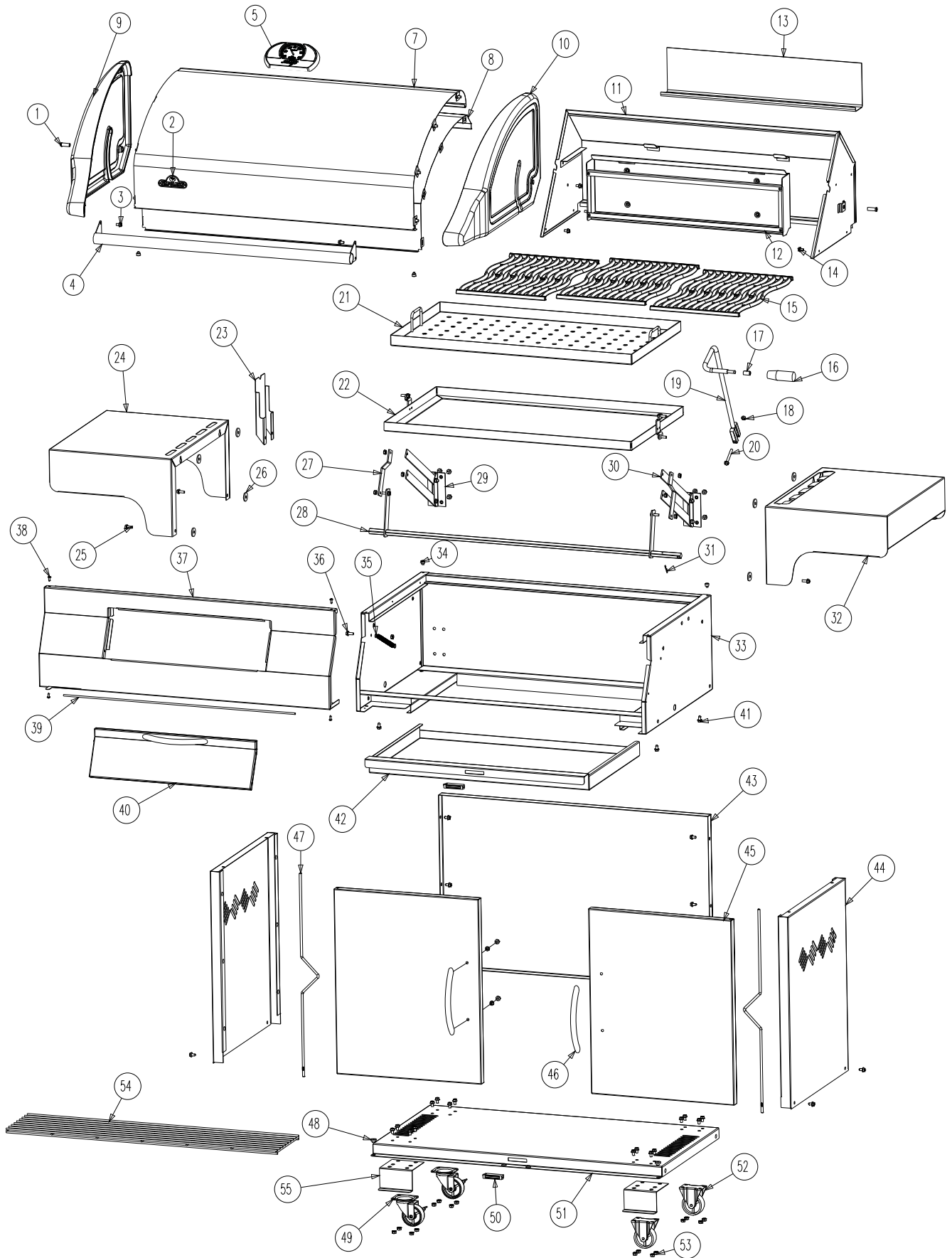
Article	N° pièce	Description	605
1	N570-0015	Vis pivot du couvercle	x
2	N385-0129	Logo NAPOLEON	x
	W450-0005	Attaches à ressort pour logo	x
	N510-0010	Pare-choc du couvercle (silicone noire)	x
3	N570-0073	Vis 1/4-20 x 3/8"	x
4	N010-0517	Poignée de couvercle	x
5	N685-0005	Jauge de température	x
7	N335-0044L	Appliqué pour couvercle en acier inoxydable	x
8	N585-0042	Protecteur de chaleur du couvercle	x
9	N135-0024K	Moulage gauche du couvercle	x
10	N135-0025K	Moulage droit du couvercle	x
11	N010-0553	Hotte	x
12	N010-0550P	Assemblage du brûleur arrière	x
13	N565-0005	Plaque de protection du brûleur arrière	x
14	N570-0008	Vis #8 x 1/2"	x
15	N305-0064	Grilles de cuisson - fonte	x
16	N325-0054	Poignée du levier externe du bac à charbon de bois	x
17	N540-0004	Anneau élastique	x
18	W450-0032	Écrou de blocage 1/4-20	x
19	N010-0555P	Assemblage du levier externe du bac à charbon de bois	x
20	N570-0084	Vis 1/4-20 x 2"	x
21	N010-0606P	Assemblage du bac à charbon de bois	x
22	N010-0551P	Assemblage du cadre du bac à charbon de bois	x
23	N475-0199	Support de rôtissoire	x
24	N590-0166	Tablette latérale en acier inoxydable - gauche	x
25	N570-0082	Vis 1/4-20 x 5/8"	x
26	N735-0001	Rondelle isolée	x
27	N080-0241P	Support de décalage	x
28	N010-0552P	Assemblage du levier interne	x
29	N080-0219	Support du bras de levage	x
30	N655-0103P	Bras de levage	x
31	N485-0012	Goupille fendue	x
32	N590-0167	Tablette latérale en acier inoxydable - droite	x
33	N010-0549	Assemblage de la base	x
34	N510-0010	Pare-choc du couvercle (silicone noire)	x
35	N630-0004	Ressort	x
36	N570-0082	Vis 1/4-20 x 5/8"	x
37	N010-0562	Assemblage du panneau avant de la base	x
38	N570-0013	Vis #8 x 1/2"	x
39	N555-0034	Tige de pivot de la porte d'accès	x
40	N010-0554	Porte d'accès au bac à charbon	x
41	N570-0082	Vis 1/4-20 x 3/8"	x
42	N710-0057P	Tiroir d'égouttement et à cendres	x
43	N475-0214P	Panneau arrière du cabinet	x
44	N475-0213P	Panneaux gauche et droit du cabinet	x
45	N010-0548	Porte du cabinet	x
46	N325-0048	Poignée de porte	x
	N570-0073	Vis 1/4-20 x 3/8"	x
	N735-0003	Rondelle de blocage 1/4"	x
47	N555-0018	Tige de pivot de la porte	x
48	N105-0011	Bagues de porte	x
49	N130-0012	Roulette pivotante	x

# LISTE DE PIÈCES

Article	No pièce	Description	605
50	N430-0002	Loquet magnétique	x
51	N590-0165P	Tablette inférieure	x
52	N130-0013	Roulette non pivotante	x
53	N450-0027	Écrou de blocage 1/4-20	x
54	N520-0024	Grille de réchaud	x
55	N080-0212P	Support de stabilisation	x
	N370-0454	Ensemble de rôtissoire	ac
	N555-0021	Tige de rôtissoire	ac
	63605	Housse en vinyle	ac
	56017	Plaque de cuisson en acier inoxydable	ac

x - compris

ac - accessoires





TÉLÉCOPIEZ AU: 705 727 4282

## BON DE COMMANDE POUR PIÈCES/ACCESSOIRES

NOM DU CLIENT \_\_\_\_\_

ADRESSE: \_\_\_\_\_

\_\_\_\_\_

\_\_\_\_\_

\_\_\_\_\_

TÉLÉPHONE : \_\_\_\_\_ FAX : \_\_\_\_\_

EMAIL: \_\_\_\_\_

# VISA OU MASTERCARD : \_\_\_\_\_ DATE D'EXPIRATION : \_\_\_\_\_

SIGNATURE: \_\_\_\_\_

QUANTITÉ	NUMÉRO DE PRODUIT	DESCRIPTION

LES TAXES PEUVENT S'APPLIQUER  
LES FRAIS D'EXPEDITION SUPPLÉMENTAIRE

SI VOUS DÉSIREZ RECEVOIR UNE CONFIRMATION, VEUILLEZ INCLURE UN NUMÉRO DE  
TÉLÉCOPIEUR OU UNE ADRESSE COURRIEL

