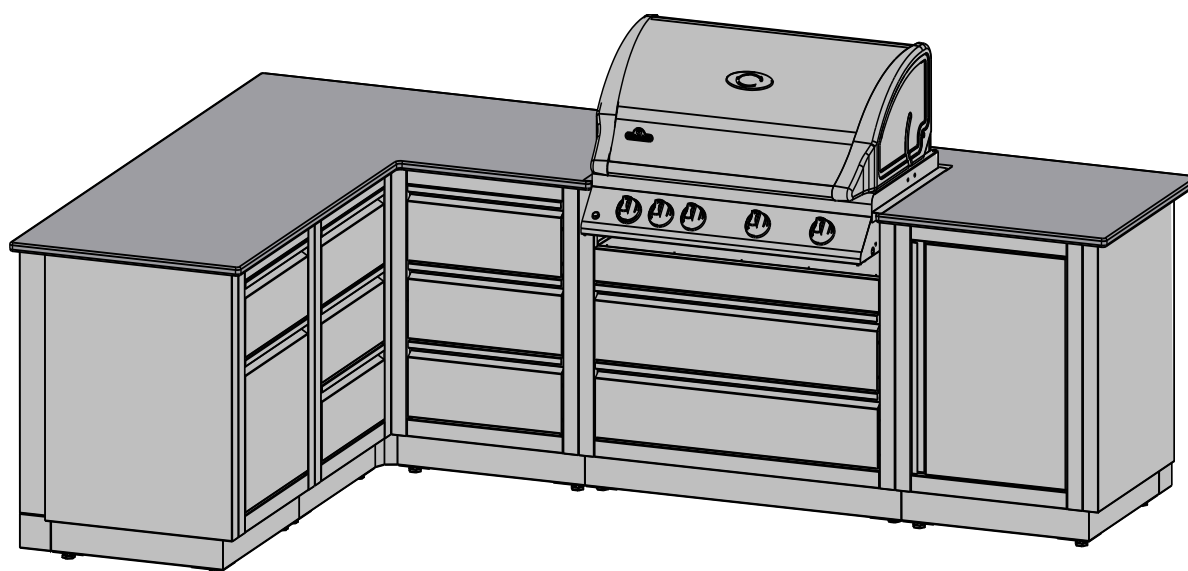


EN
FR
PG.17
DE
PG.33



OASIS MODULAR CABINET PLANNING GUIDE

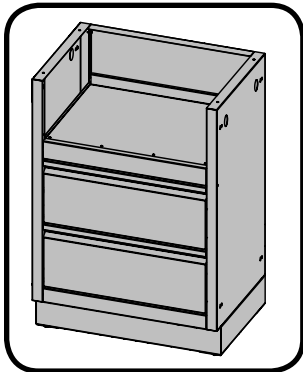
Napoleon Group of Companies
214 Bayview Dr., Barrie, Ontario, Canada L4N 4Y8
Phone: 1-705-726-4278 Fax: (705)-727-4282

www.napoleongrills.com

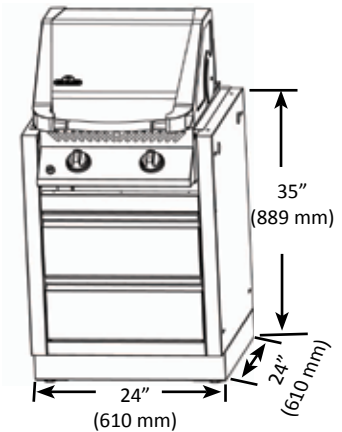
Customer Solutions: 1-866-820-8686 or grills@napoleonproducts.com

RETAIN THIS MANUAL FOR FUTURE REFERENCE.

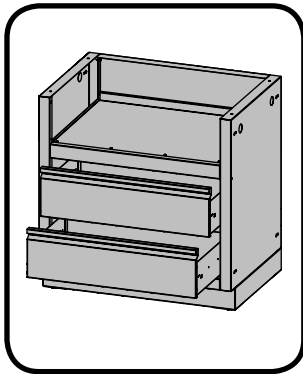
IM-UGC300 245/300 UNDER GRILL CABINET



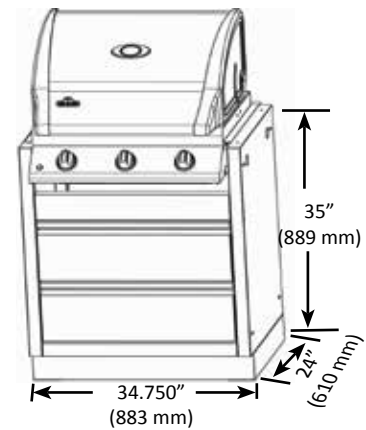
- under grill cabinet required for BISZ300 or BISB245 units
- grill head not included
- 2 drawers on roller slides
- rear and side panels have removable knockouts for gas piping
- stainless steel drawer fronts
- adjustable leveling feet
- shipped fully assembled



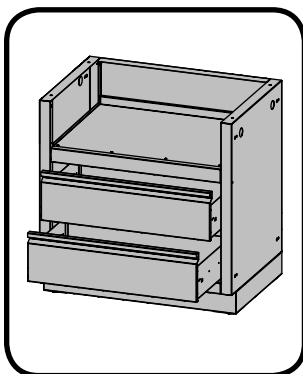
IM-UGC485 485 UNDER GRILL CABINET



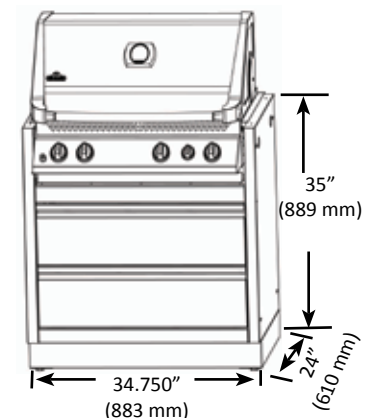
- under grill cabinet required for BILEX485 units
- grill head not included
- 2 drawers on roller slides
- rear and side panels have removable knockouts for gas piping
- stainless steel drawer fronts
- adjustable leveling feet
- shipped fully assembled



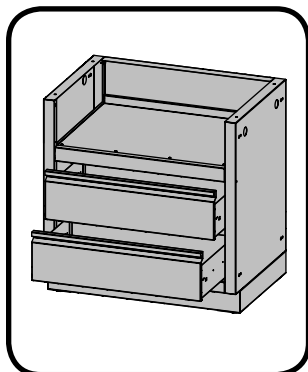
IM-UGC500 500 UNDER GRILL CABINET



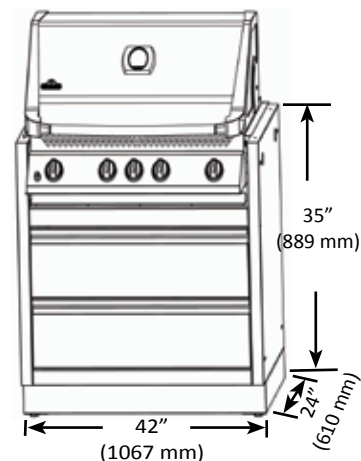
- under grill cabinet required for BIP500 / BIPRO500 units
- grill head not included
- 2 drawers on roller slides
- rear and side panels have removable knockouts for gas piping
- stainless steel drawer fronts
- adjustable leveling feet
- shipped fully assembled



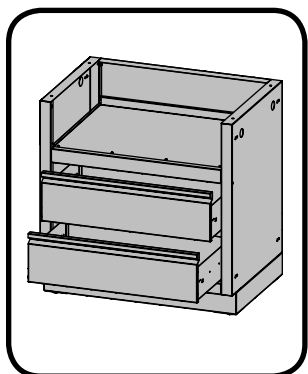
IM-UGC600 600 UNDER GRILL CABINET



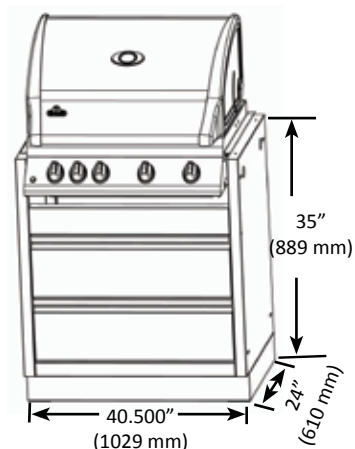
- under grill cabinet required for BIPT600 / BIPRO600 units
- grill head not included
- 2 drawers on roller slides
- rear and side panels have removable knockouts for gas piping
- stainless steel drawer fronts
- adjustable leveling feet
- shipped fully assembled



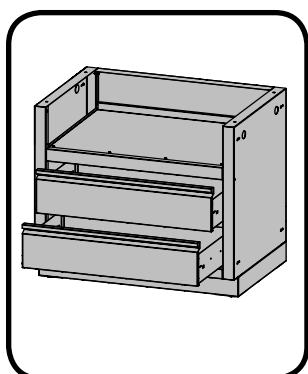
IM-UGC605 605 UNDER GRILL CABINET



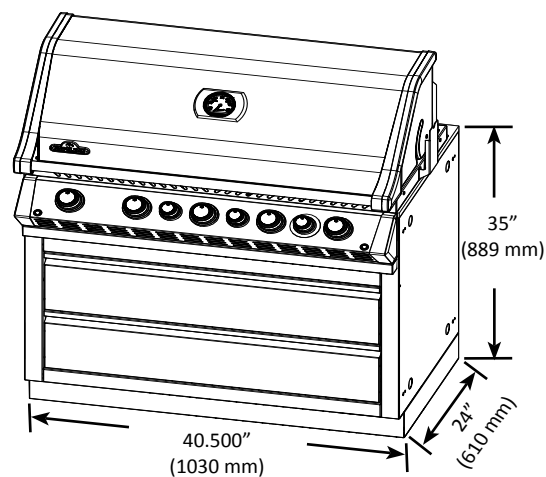
- under grill cabinet required for BILEX605 units
- grill head not included
- 2 drawers on roller slides
- rear and side panels have removable knockouts for gas piping
- stainless steel drawer fronts
- adjustable leveling feet
- shipped fully assembled



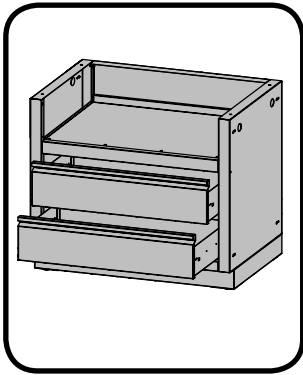
IM-UGC665 665 UNDER GRILL CABINET



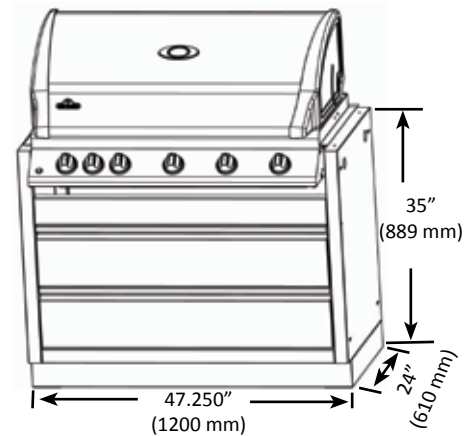
- under grill cabinet required for BIPRO665 units
- grill head not included
- 2 drawers on roller slides
- rear and side panels have removable knockouts for gas piping
- stainless steel drawer fronts
- adjustable leveling feet
- shipped fully assembled



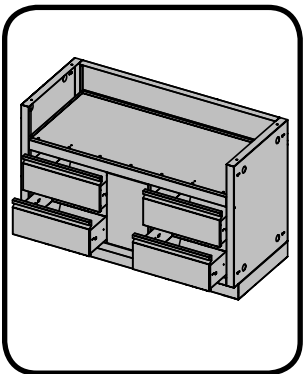
IM-UGC730 730 UNDER GRILL CABINET



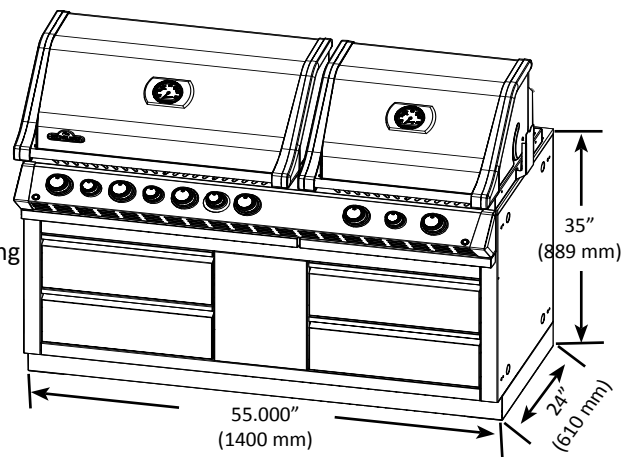
- under grill cabinet required for BILEX730 units
- grill head not included
- 2 drawers on roller slides
- rear and side panels have removable knockouts for gas piping
- stainless steel drawer fronts
- adjustable leveling feet
- shipped fully assembled



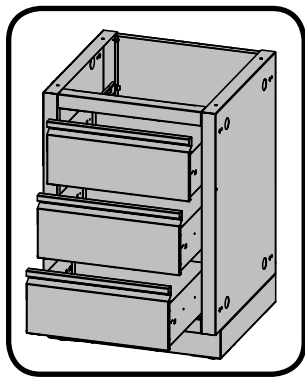
IM-UGC825 825 UNDER GRILL CABINET



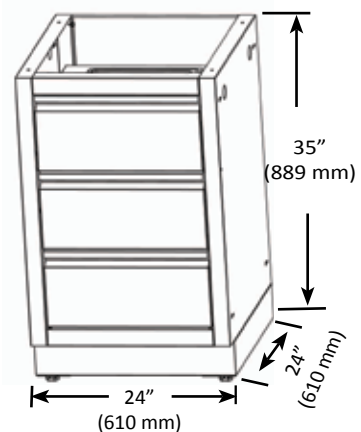
- under grill cabinet required for BIPRO825 units
- grill head not included
- 4 drawers on roller slides
- rear and side panels have removable knockouts for gas piping
- stainless steel drawer fronts
- adjustable leveling feet
- shipped fully assembled



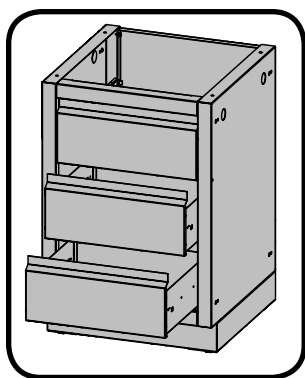
IM-3DC 3 DRAWER CABINET



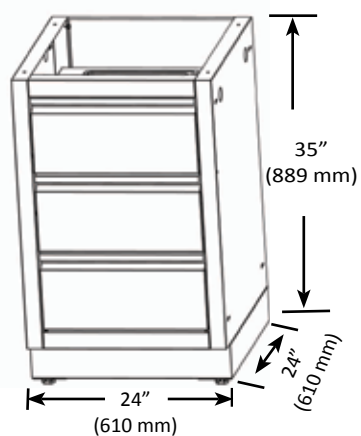
- 3 drawers on roller slides
- stainless steel drawer fronts
- adjustable leveling feet
- shipped fully assembled



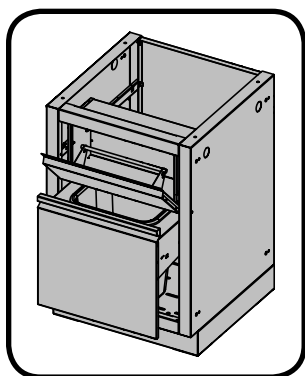
IM-2DC 2 DRAWER CABINET



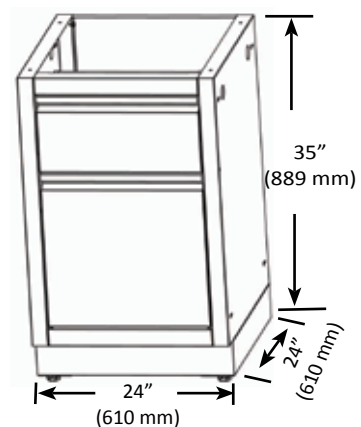
- 2 drawers on roller slides
- stainless steel drawer fronts
- adjustable leveling feet
- top drawer is a false drawer
- use this when installing a sink or side burner above the cabinet
- shipped fully assembled



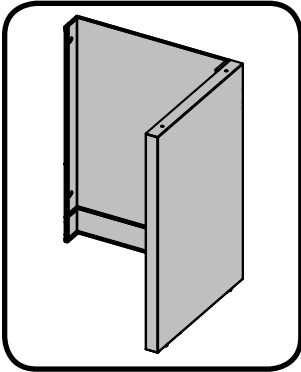
IM-WDC WASTE DRAWER W/PAPER TOWEL HOLDER



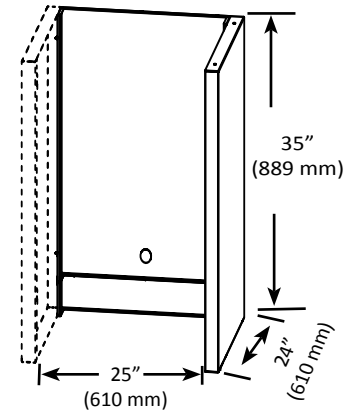
- 1 waste drawer on roller slides
- sturdy removable waste bucket
- top level enclosed paper towel holder
- stainless steel drawer fronts
- adjustable leveling feet
- cannot be used under optional side burner or sink
- shipped fully assembled



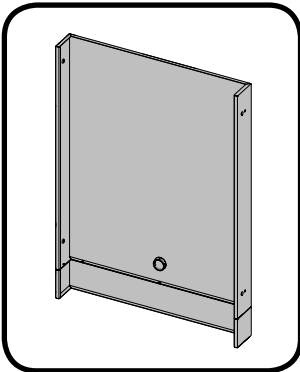
IM-FEP FRIDGE CABINET END



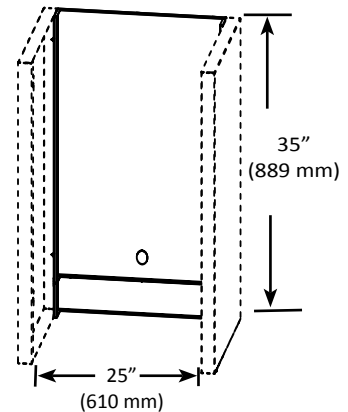
- do not place directly beside barbecue
- cannot be used under optional side burner or sink
- a minimum gap of 6" (150mm) is required between the rear of the cabinet and adjacent structures
- adjustable leveling feet
- Napoleon model NFR055ORSS.



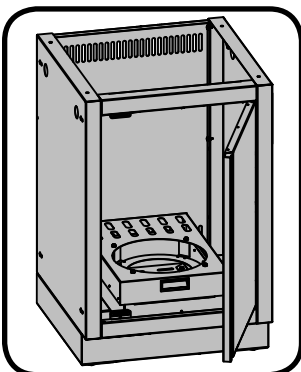
IM-FMP FRIDGE CABINET MIDDLE



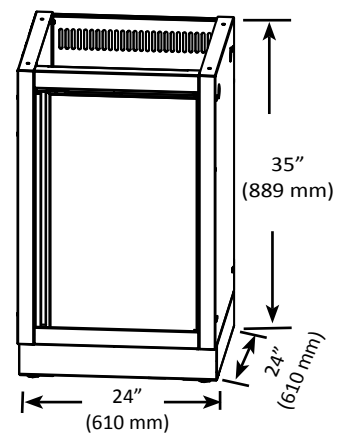
- do not place directly beside barbecue
- cannot be used under optional side burner or sink
- a minimum gap of 6" (150mm) is required between the rear of the cabinet and adjacent structures
- Napoleon model NFR055ORSS.



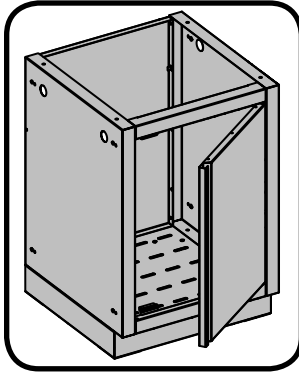
IM-UTC PROPANE TANK CABINET



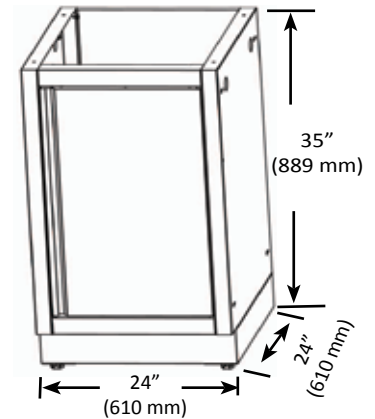
- propane tank storage cabinet
- stainless steel door front
- universal door, right or left opening
- pullout shelf for easy propane tank installation
- adjustable leveling feet
- shipped fully assembled



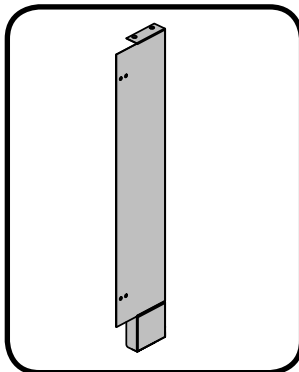
IM-UDC UNIVERSAL DOOR CABINET



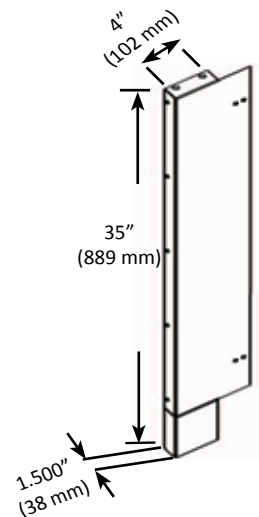
- reversible door, left or right opening
- stainless steel door
- excellent outdoor storage
- adjustable leveling feet
- shipped fully assembled



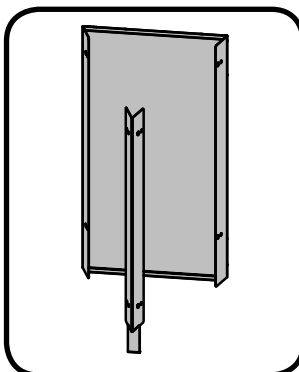
IM-WSF WALL SPACER



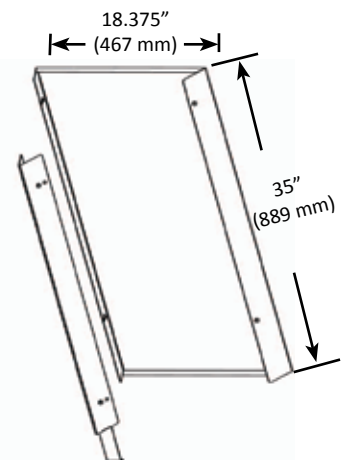
- painted panels
- maintain required offset for installations fit against wall of house or landscaping (for lid to open)
- clearance to combustibles must be maintained according to the rating plate on the grill
- block off gap between cabinet and house



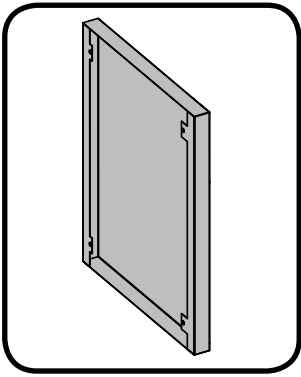
IM-45T 45 DEGREE TRANSITION



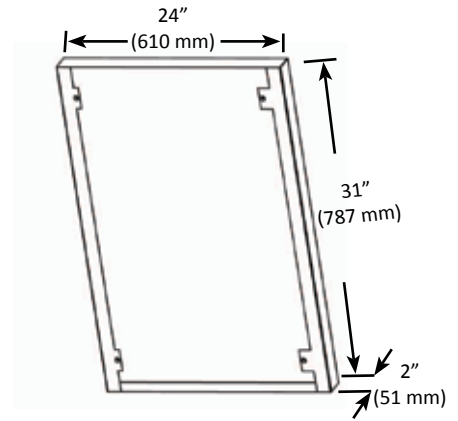
- painted transition panels to join 2 cabinets at 45 degree angle.
- can be doubled up to create 90 degree transition
- if a transition is used directly beside a grill, an IM-2DC (2 drawer module must be used on the other side of the transition (other drawer/door modules may interfere with the grill control panel.)



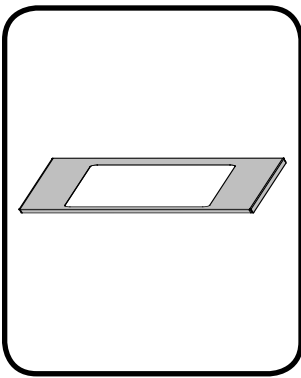
IM-CEP END PANEL



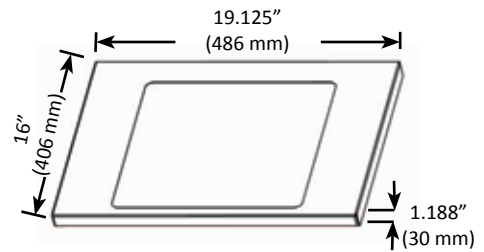
- painted end panel
- used at the end of run of cabinets to cover knock-outs and mounting holes



IM-IBA ICE BUCKET HOLDER



- stainless steel tray
- fits on top of standard drawer
- holds standard stainless steel serving trays large to small combinations



PLANNING YOUR NAPOLEON MODULAR OUTDOOR ISLAND

The Napoleon Outdoor Modular Island series has been developed with versatility in mind. The cabinets can be assembled in virtually any combination to suit your individual needs. They can be assembled against a house wall or as a standalone island, becoming the focal point of your backyard. With multi-function and storage capabilities, your backyard island can be transformed into an outdoor kitchen, placing the host in the center of the action when entertaining guests.

The cabinets are designed to be easy to assemble and install for either the home owner or private contractor. All cabinets are 35" (889 mm) tall by 24" (610 mm) deep. All cabinets are 24" (610 mm) wide except for the BUILT-IN grill cabinets whose width correspond to the width of the unit it was designed for. The temperature control is located at the back of the fridge. The cabinet has a removable panel which allows access to the temperature control. Ensure that there is access to the panel when the cabinet is installed. Each cabinet has 4 leveling feet for adjustment on even surfaces. The 2 drawer cabinets are made to fit the Napoleon BUILT-IN series of grills only, available in several different sizes. BUILT-IN grills come in several different sizes. Refer to the installation manuals that come with the grill head for proper installation and operating instructions.

The BUILT-IN series of grills can be ordered in your choice of propane or natural gas configuration. Natural gas is an obvious selection for many people that already have it available in their home. All gas modifications or installations must be done by a qualified gas installer. Knockouts are present in the side and rear panels for easy piping and installation. For those who order a propane grill, a propane tank cabinet is available.

The cabinets can be installed against a **NON-COMBUSTIBLE** wall of a house, a masonry or stucco half-wall, or freestanding in an island configuration. Ensure there is adequate ventilation behind the fridge cabinet – a minimum gap of 6" (150mm) is required between the back of the cabinet and adjacent structures. Never block the vents located on the back of the cabinet. Failure to do so can result in the fridge overheating. An optional 4" (102 mm) spacer panel must be purchased and installed when placing an island against a wall to allow clearance for the grill lid to open. The spacer also provides closure for the cabinet to prevent debris or rodents from entering behind the cabinets. A powdercoated, 2" (51 mm) wide end panel can be purchased to cover the knockouts and mounting holes in the outside panels in a run of cabinets, giving a more finished look.

When utilizing 45° and 90° transitions in your design, modules on either side of the transition need to be chosen carefully. If doors or drawers are used on either side of the transition, they will interfere with each other when opened. If a drawer module is placed next to a grill, the control panel on the grill will prevent the top drawer from opening. The same applies to the paper towel/garbage module. Door modules can be used with 45° transitions, but the control panel will prevent the door from fully opening and may damage the door. The best module for this application is the 2 drawer module (false drawer at the top).

Optional built-in sideburner kits are available through your Napoleon Gas Grill dealer. These sideburner kits are an excellent complement to the BUILT-IN series of grills. We recommend that the sideburner kit be installed over top of the IM-2DC cabinet. It has the false drawer front at the top of the cabinet which allows clearance for the sideburner valve and hose routing. The IM-2DC cabinet also provides the necessary clearance for those who would like to install a sink in their outdoor kitchen.

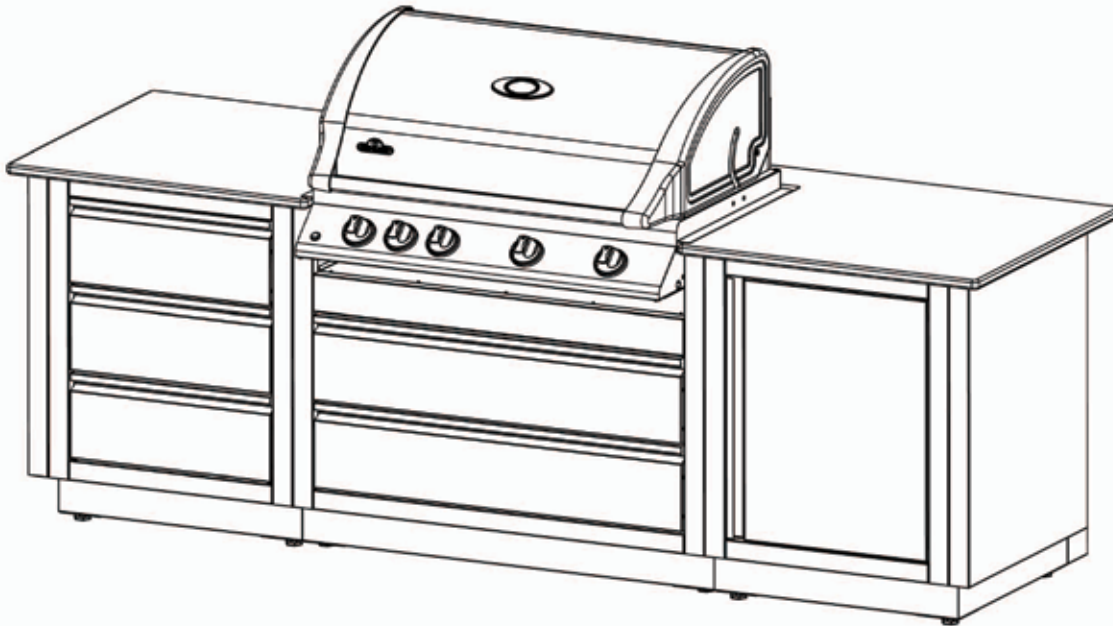
Countertops must be ordered and supplied locally by the homeowner. The countertop material must be **NON-COMBUSTIBLE** if a grill is to be installed into it. They can be ordered in advance by drawing out the floorplan of how the cabinets will be situated and adding up the width measurements, allowing 1-2 inches (25 mm-51 mm) of countertop overhang. Most countertop manufacturers are willing to come and take measurements after assembly of the cabinets is complete to ensure a perfect fit.



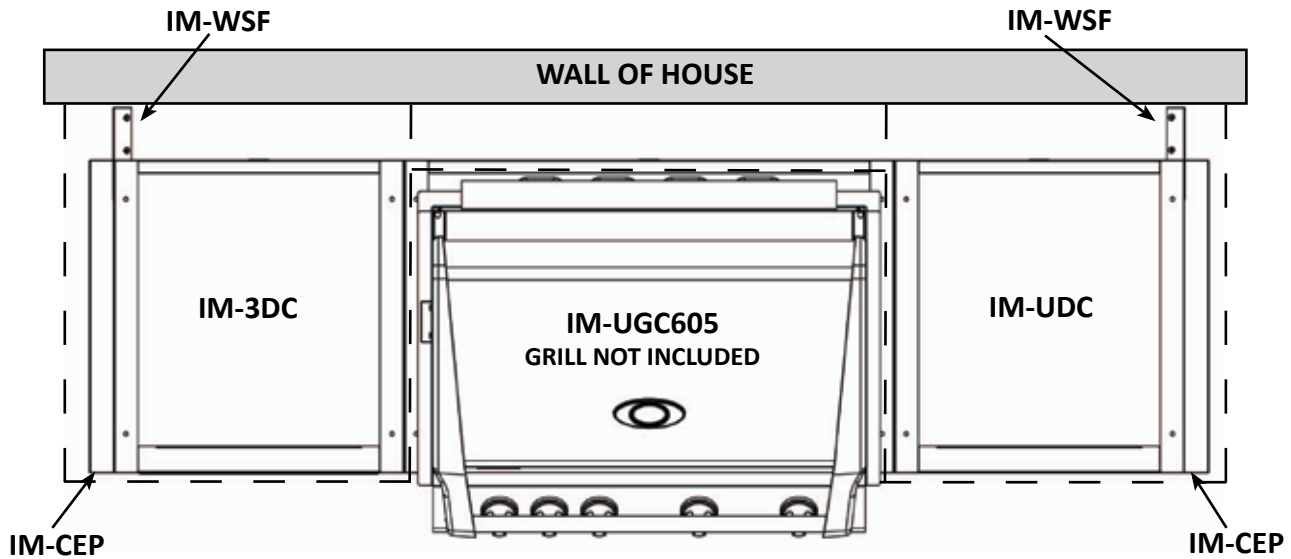
The built-in grillhead comes with stainless steel brackets and hardware that allow the unit to rest on the countertop above the corresponding island cabinet for that unit. Granite or Corian are excellent choices of countertop materials. In order for the drip pan to slide in and out properly, the grill head must be supported by a countertop with a thickness between ½" (13mm) and 1 ½" (38mm).

Decorative countertops made of ceramic tile set on top of cement tiling board can be made to match your surrounding backyard furniture colors.

EXAMPLE 1: 605 BUILT-IN ISLAND AGAINST NON-COMBUSTIBLE WALL



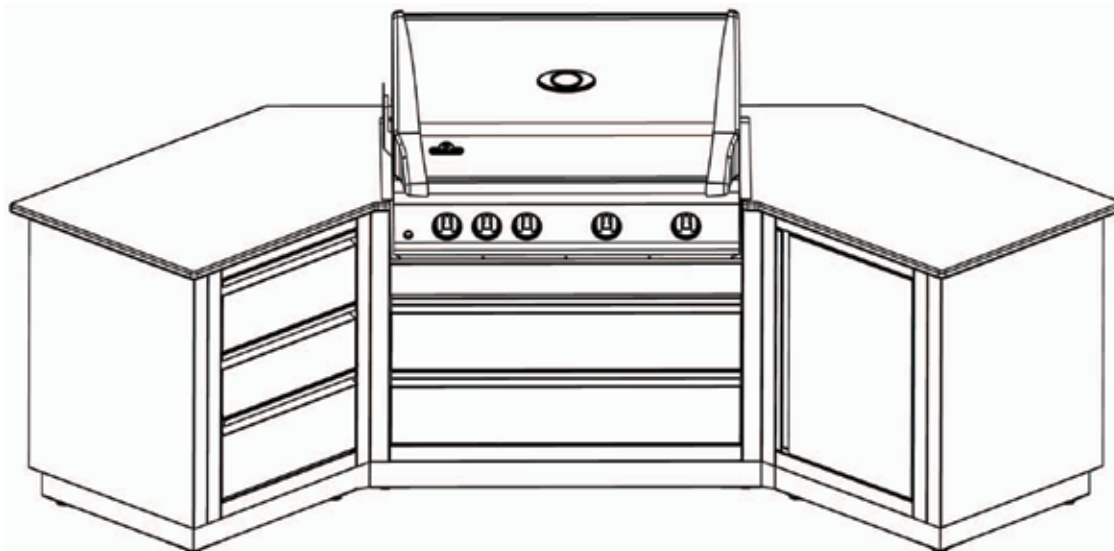
The above example is shown built against a non-combustible house wall. Below, the dashed line represents the perimeter of the countertop (not supplied). It has the IM-WSF kit in 2 places which stands the unit of from the wall the required 4" (102 mm) to create clearance for opening the lid of the grill. **The WSF (wall spacer kit) does not provide enough offset to allow the unit to be placed against a combustible wall. The clearance marked on the rating plate of the grill still needs to be maintained.** The kit extends from the countertop to the patio or deck surface, blocking off the area behind the island, preventing debris from entering behind the cabinet. Also shown is the IM-CEP, end panel, which creates a finished look to the ends of the assembled cabinets by covering the exposed knockouts and mounting holes.



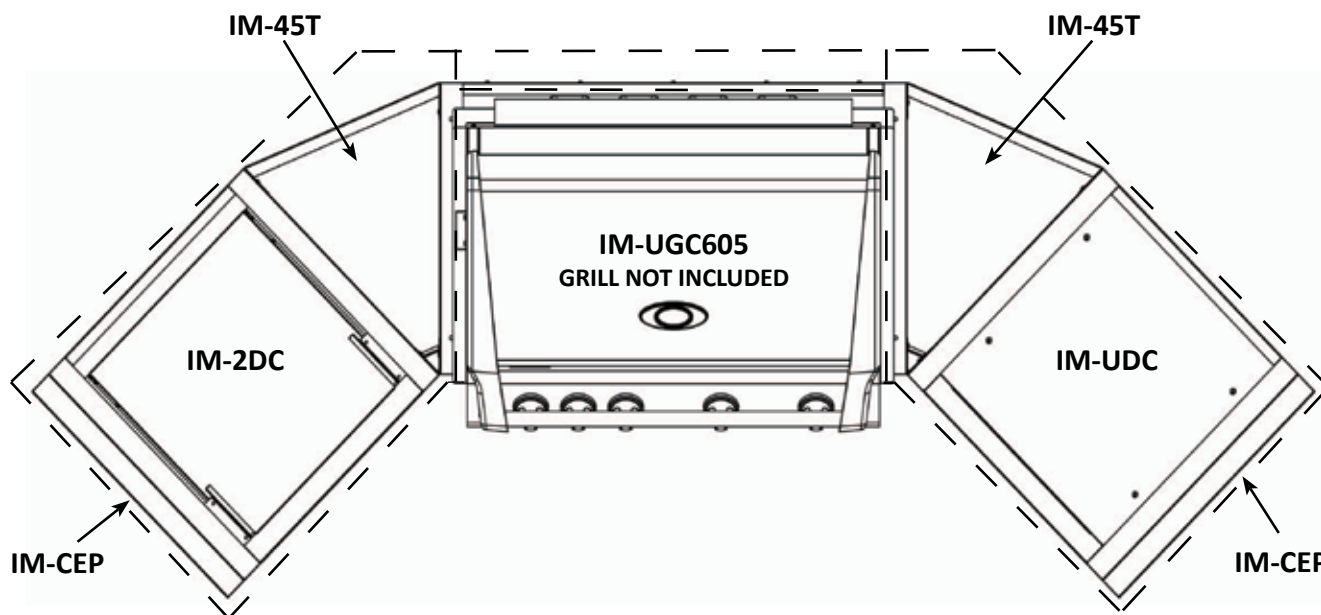
MODULE	DESCRIPTION	QTY	SUBSTITUTE	DESCRIPTION	QTY
* IM-UGC605-CN	UNDER UNIT CABINET 605	1			
* BILEX605RB-N	LEX 605 BUILTIN NATURAL	1	BILEX605RB-P	LEX 605 BUILTIN PROPANE	1
IM-UDC-CN	SINGLE DOOR CABINET	1	IM-UTC-CN	PROPANE TANK CABINET	1
IM-3DC-CN	THREE DRAWER CABINET	1			
IM-CEP-CN	CABINET END PANEL	2			

***Other grill heads can also be substituted. Ensure the under grill cabinet corresponds to the unit.**

EXAMPLE 2: 605 BUILT-IN ANGLED ISLAND



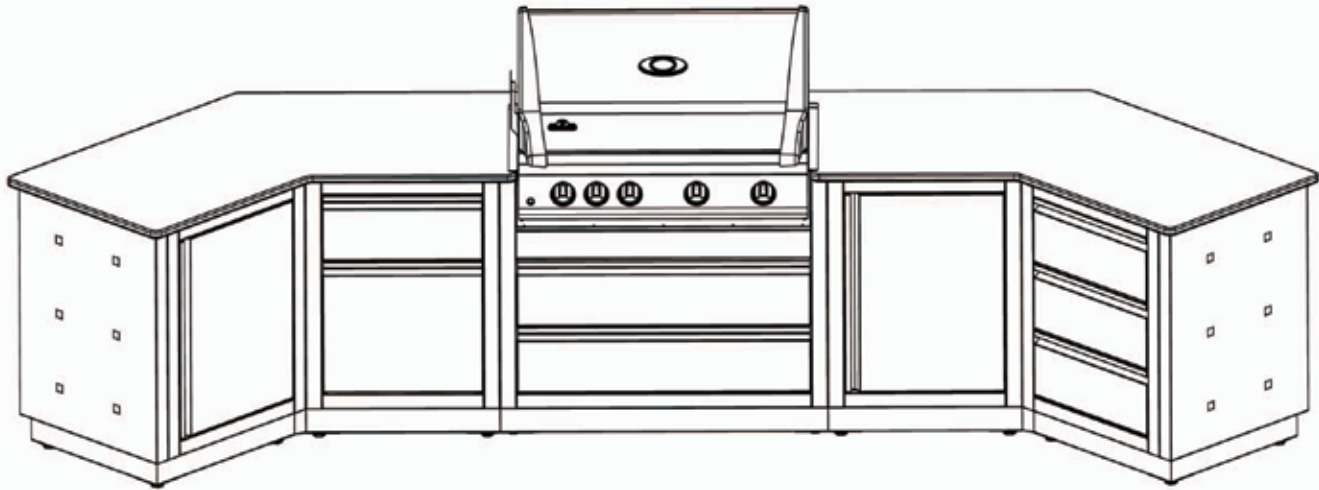
The above example is shown built as a stand alone island. Below, the dashed line represents the perimeter of the countertop (not supplied). The unit is angled by applying the IM-45T kit on either side of the unit which rotates the side cabinets at a 45° angle. Also shown is the IM-CEP, end panel, which creates a finished look to the ends of the assembled cabinets by covering the exposed knockouts and mounting holes.



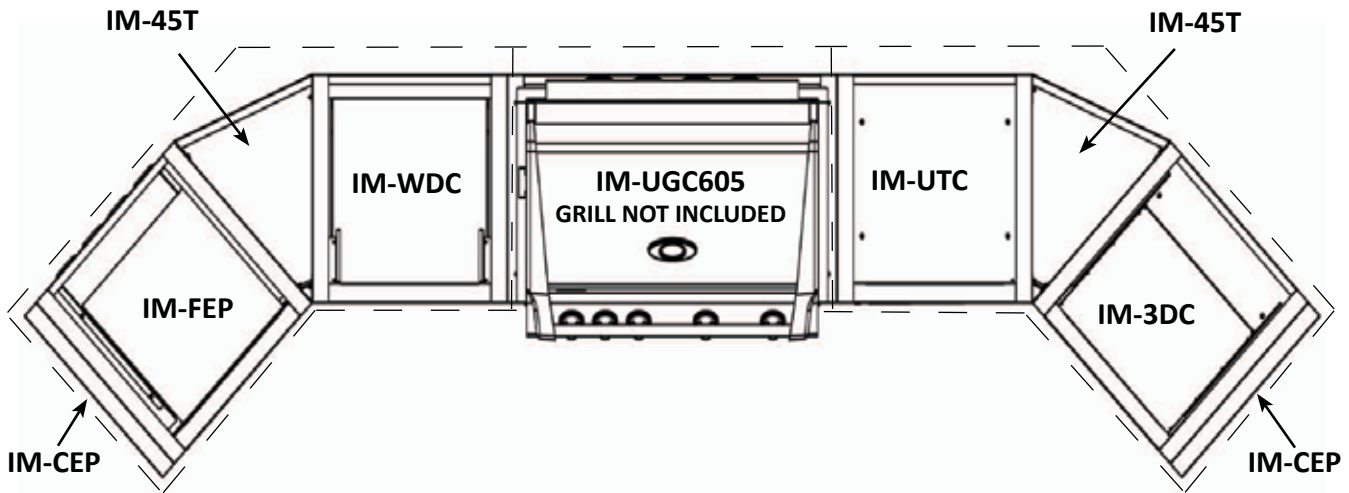
MODULE	DESCRIPTION	QTY	SUBSTITUTE	DESCRIPTION	QTY
* IM-UGC605-CN	UNDER UNIT CABINET 605	1			
* BILEX605RB-N	LEX 605 BUILTIN NATURAL	1	BILEX605RB-P	LEX 605 BUILTIN PROPANE	1
IM-UDC-CN	SINGLE DOOR CABINET	1	IM-UTC-CN	PROPANE TANK CABINET	1
IM-2DC-CN	TWO DRAWER CABINET	1			
IM-45T-CN	45 DEGREE PANEL KIT	2			
IM-CEP-CN	CABINET END PANEL	2			

***Other grill heads can also be substituted. Ensure the under grill cabinet corresponds to the unit.**

EXAMPLE 3: 605 BUILT-IN ANGLED ISLAND



The above example is shown built as a stand alone island. Below, the dashed line represents the perimeter of the countertop (not supplied). The unit is angled by applying the IM-45T kit between the cabinets which rotates the side cabinets at a 45° angle. Also shown is the IM-CEP, end panel, which creates a finished look to the ends of the assembled cabinets by covering the exposed knockouts and mounting holes.

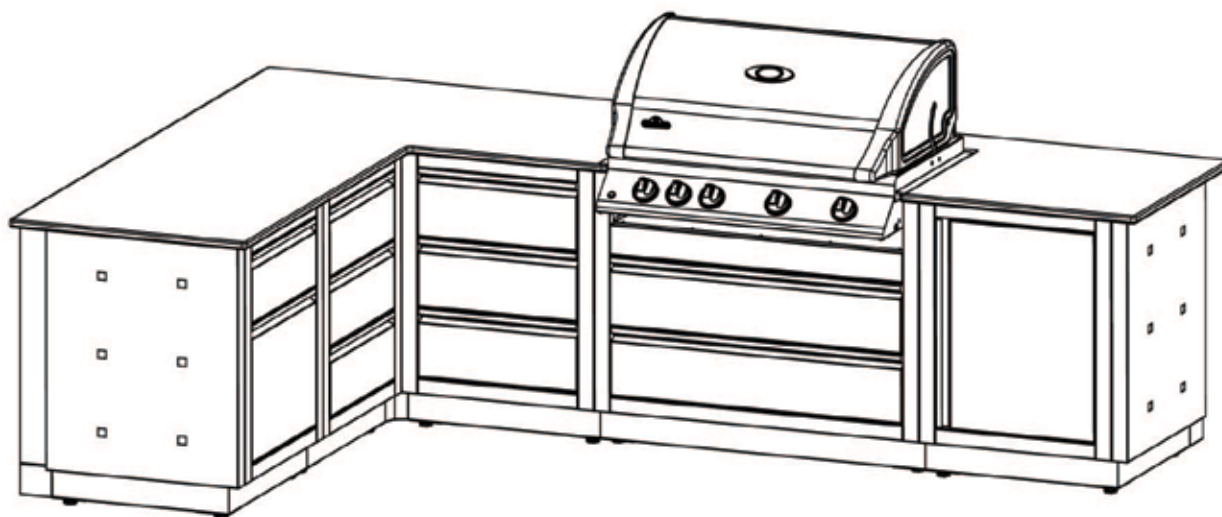


MODULE	DESCRIPTION	QTY	SUBSTITUTE	DESCRIPTION	QTY
* IM-UGC605-CN	UNDER UNIT CABINET 605	1			
* BILEX605RB-P	LEX 605 BUILTIN PROPANE	1	BILEX605RB-N	LEX 605 BUILTIN NATURAL	1
IM-UTC-CN	PROPANE TANK CABINET	1	IM-UDC-CN	SINGLE DOOR CABINET	1
IM-FEP-CN	FRIDGE CABINET END	1	IM-3DC-CN	THREE DRAWER CABINET	1
IM-3DC-CN	THREE DRAWER CABINET	1	IM-FEP-CN	FRIDGE CABINET END	1
IM-WDC-CN	WASTE DRAWER CABINET	1			
IM-45T-CN	45 DEGREE PANEL KIT	2			
IM-CEP-CN	CABINET END PANEL	2			

***Other grill heads can also be substituted. Ensure the under grill cabinet corresponds to the unit. Napoleon model NFR055ORSS.**

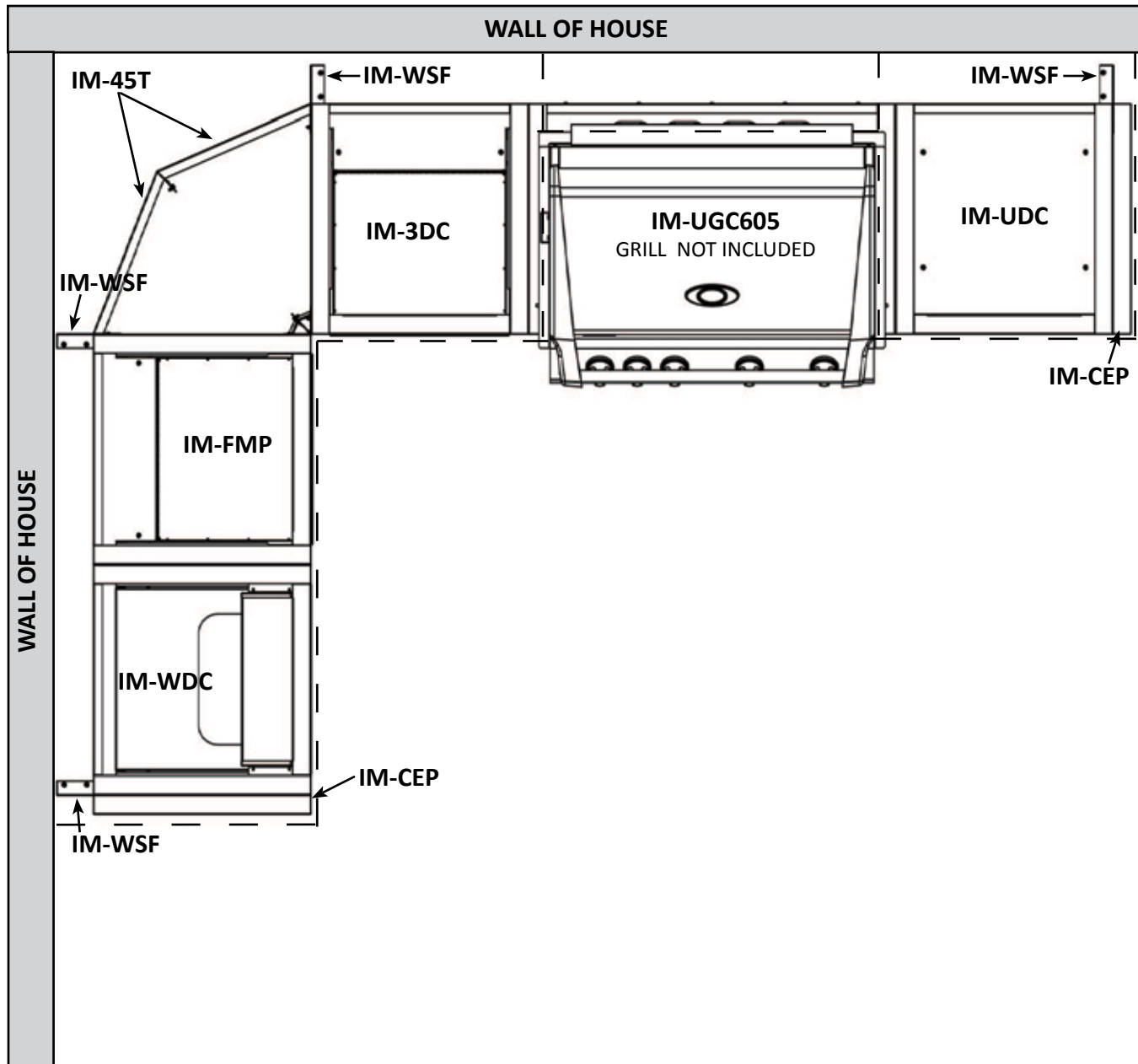
EXAMPLE 4: 605 BUILT-IN 90° ISLAND AGAINST NON-COMBUSTIBLE WALL

EN



The following example is shown built against a non-combustible house wall. Below, the dashed line represents the perimeter of the countertop (not supplied). It has the IM-WSF kit in 4 places, which stands the unit of from the wall the required 4" (102 mm) to create clearance for opening the lid of the grill. **The WSF (wall spacer kit) does not provide enough offset to allow the unit to be placed against a combustible wall. The clearance marked on the rating plate of the grill still needs to be maintained.**

The kit extends from the countertop to the patio or deck surface blocking off the area behind the island, preventing debris from entering behind the cabinet. The 90° bend in the cabinet is created by attaching together 2 IM-45T kits, which also lend support to the countertop. Also shown is the IM-CEP, end panel, which creates a finished look to the ends of the assembled cabinets by covering the exposed knockouts and mounting holes.

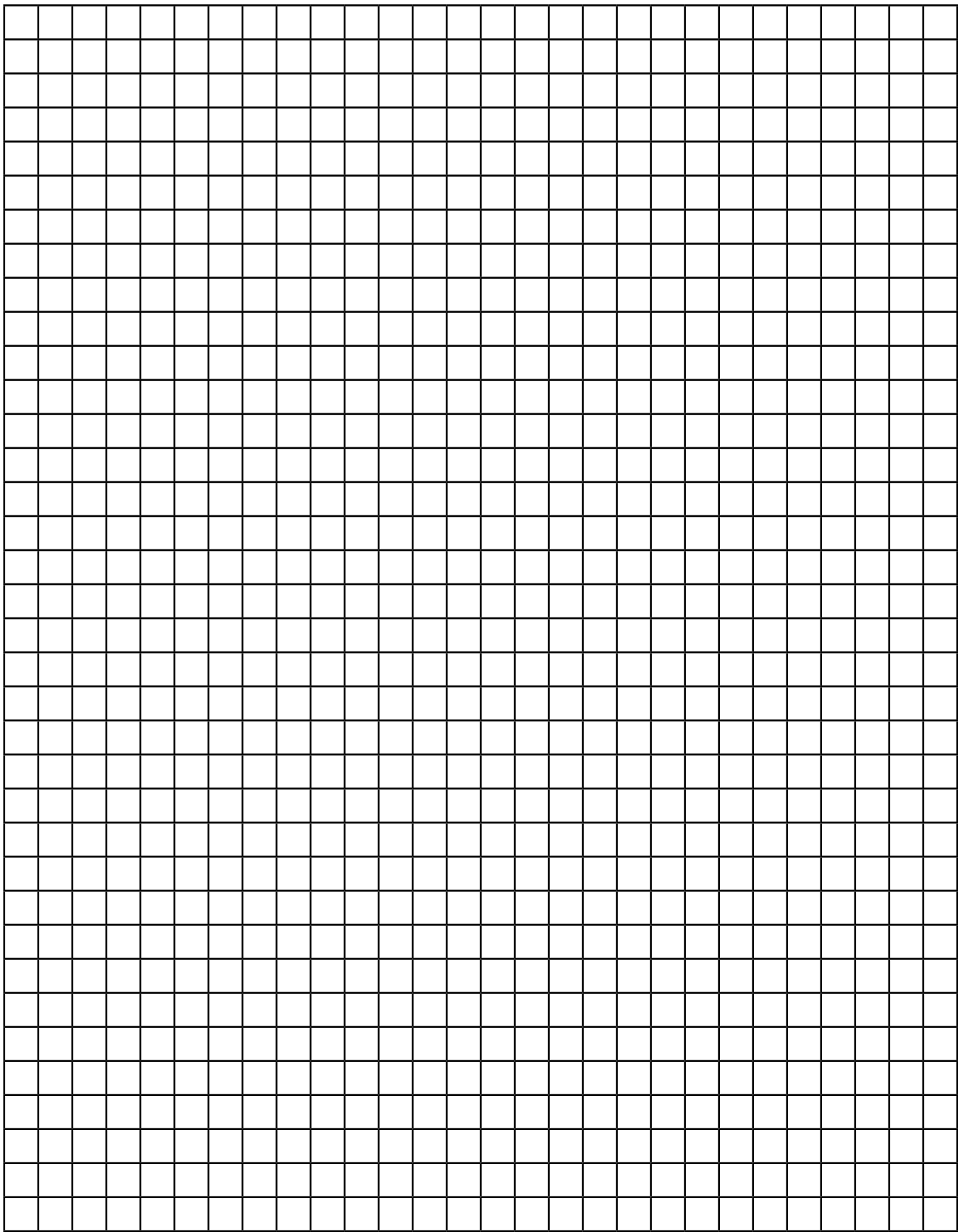


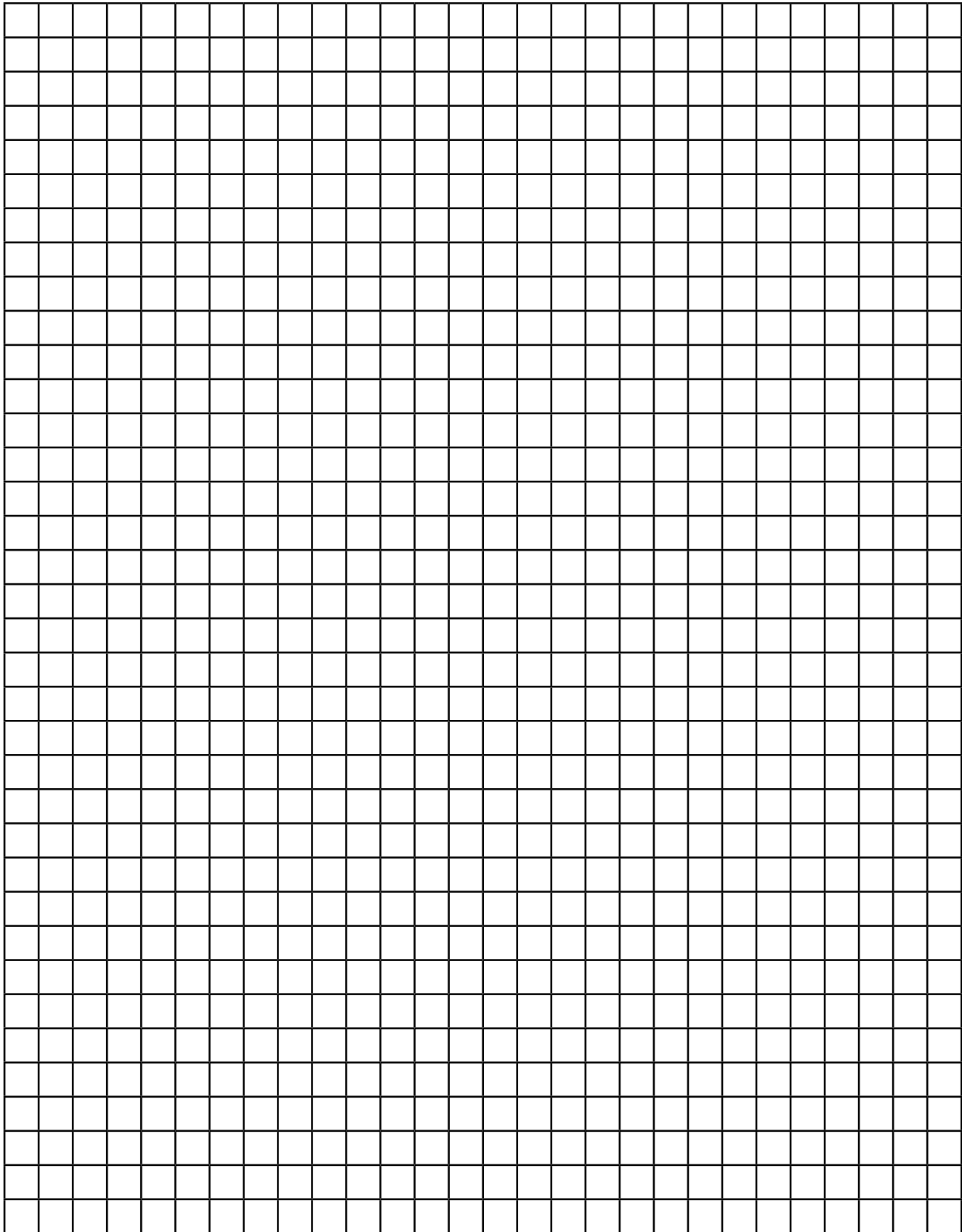
MODULE	DESCRIPTION	QTY	SUBSTITUTE	DESCRIPTION	QTY
* IM-UGC605-CN	UNDER UNIT CABINET 605	1			
* BILEX605RB-N	LEX 605 BUILTIN NATURAL	1	BILEX605RB-P	LEX 605 BUILTIN PROPANE	1
IM-3DC-CN	THREE DRAWER CABINET	1			
IM-FMP-CN	FRIDGE CABINET MIDDLE	1	IM-3DC-CN	THREE DRAWER CABINET	1
IM-UTC-CN	SINGLE DOOR CABINET	1	IM-UTC-CN	PROPANE TANK CABINET	1
IM-WDC-CN	WASTE DRAWER CABINET	1	IM-FEP-CN	FRIDGE CABINET END	1
IM-WSF-CN	WALL STANDOFF KIT	4			
IM-45T-CN	45 DEGREE PANEL KIT	2			
IM-CEP-CN	CABINET END PANEL	2			

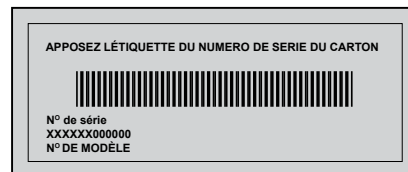
***Other grill heads can also be substituted. Ensure the under grill cabinet corresponds to the unit. Napoleon model NFR055ORSS.**

PLANNING PAGE

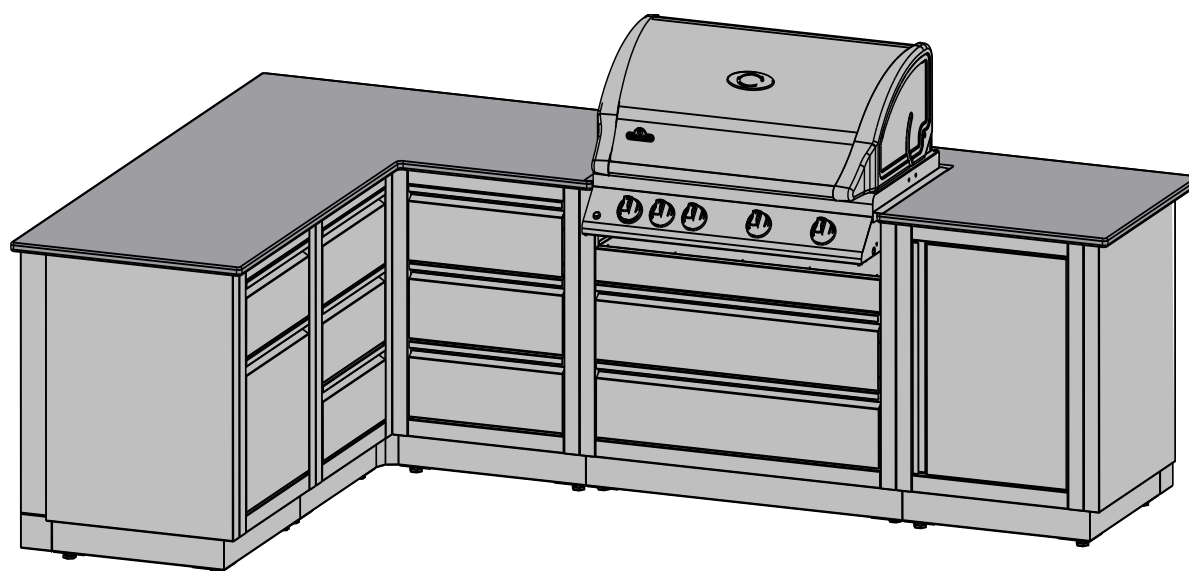
EN







FR



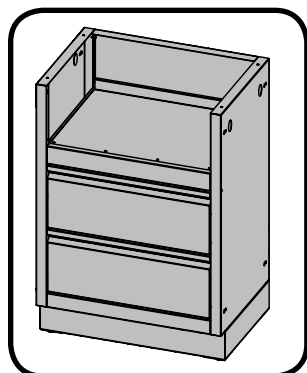
GUIDE DE PLANIFICATION POUR LES CABINETS MODULAIRES OASIS

Napoleon Group of Companies
214 Bayview Dr., Barrie, Ontario, Canada L4N 4Y8
Phone: 1-705-726-4278 Fax: (705)-727-4282
www.napoleongrills.com
Customer Solutions: 1-866-820-8686 or grills@napoleonproducts.com

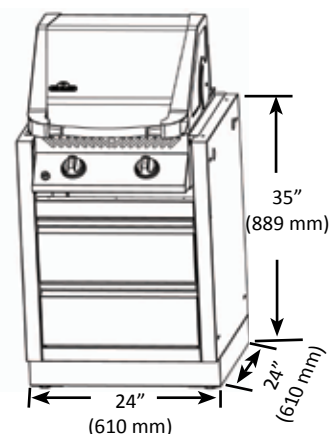
GARDER CE LIVRE POUR RÉFÉRENCES FUTURES.

CABINET POUR GRIL 245/300 IM-UGC300

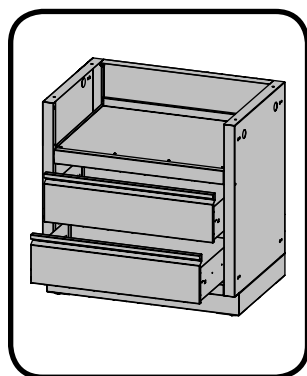
FR



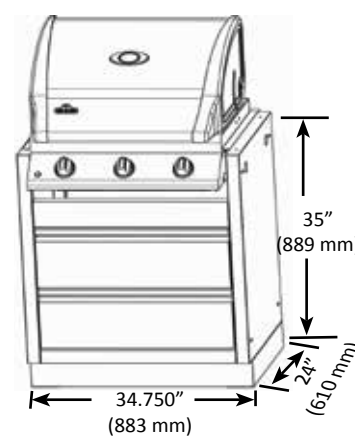
- cabinet pour gril nécessaire pour les appareils BISZ245 ou BISB
- cuve de gril non comprise
- 2 tiroirs sur glissière à roulettes
- panneaux arrière et latéraux munis de plaques poinçonnées pour y insérer les conduites de gaz
- façades de tiroirs en acier inoxydable
- pattes de nivellement ajustables
- expédiés complètement assemblés



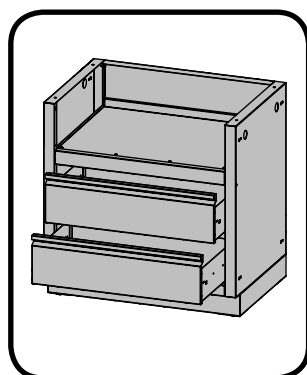
CABINET POUR GRIL 485 IM-UGC485



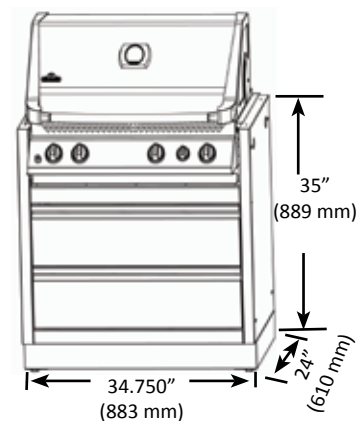
- cabinet pour gril nécessaire pour les appareils BILEX485
- cuve de gril non comprise
- 2 tiroirs sur glissière à roulettes
- panneaux arrière et latéraux munis de plaques poinçonnées pour y insérer les conduites de gaz
- façades de tiroirs en acier inoxydable
- pattes de nivellement ajustables
- expédiés complètement assemblés



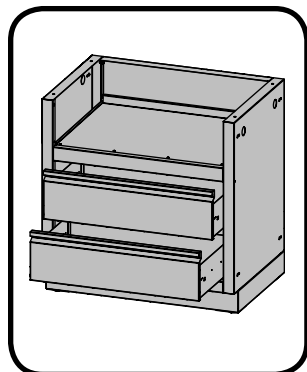
CABINET POUR GRIL 500 IM-UGC500



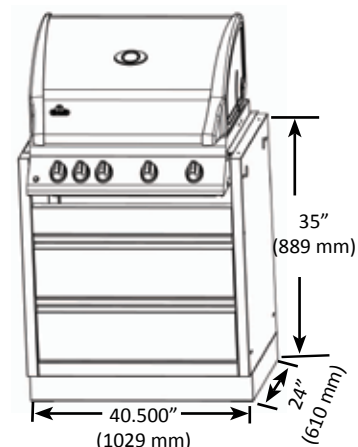
- cabinet pour gril nécessaire pour les appareils BIPRO500
- cuve de gril non comprise
- 2 tiroirs sur glissière à roulettes
- panneaux arrière et latéraux munis de plaques poinçonnées pour y insérer les conduites de gaz
- façades de tiroirs en acier inoxydable
- pattes de nivellement ajustables
- expédiés complètement assemblés



CABINET POUR GRIL 605 IM-UGC605

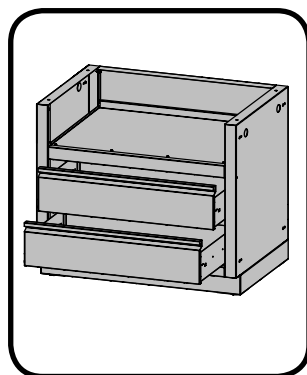


- cabinet pour gril nécessaire pour les appareils BILEX605
- cuve de gril non comprise
- 2 tiroirs sur glissière à roulettes
- panneaux arrière et latéraux munis de plaques poinçonnées pour y insérer les conduites de gaz
- façades de tiroirs en acier inoxydable
- pattes de nivellement ajustables
- expédiés complètement assemblés

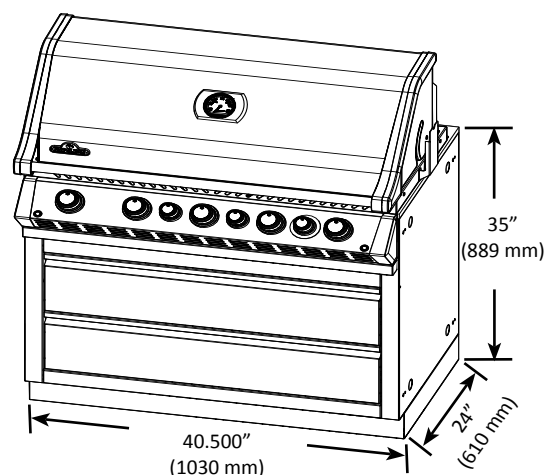


FR

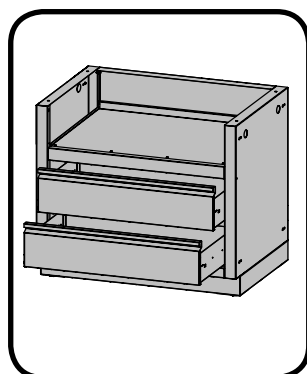
CABINET POUR GRIL 665 IM-UGC665



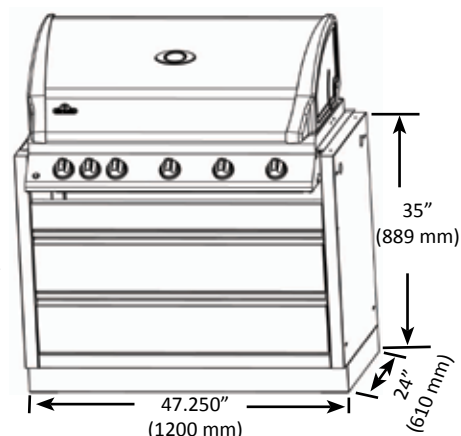
- cabinet pour gril nécessaire pour les appareils BIPRO665
- cuve de gril non comprise
- 2 tiroirs sur glissière à roulettes
- panneaux arrière et latéraux munis de plaques poinçonnées pour y insérer les conduites de gaz
- façades de tiroirs en acier inoxydable
- pattes de nivellement ajustables
- expédiés complètement assemblés



CABINET POUR GRIL 730 IM-UGC730

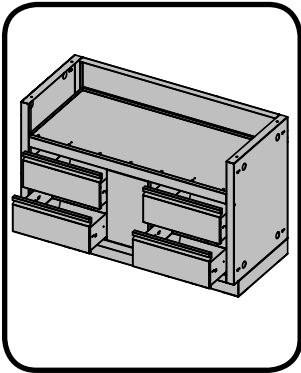


- cabinet pour gril nécessaire pour les appareils BILEX730
- cuve de gril non comprise
- 2 tiroirs sur glissière à roulettes
- panneaux arrière et latéraux munis de plaques poinçonnées pour y insérer les conduites de gaz
- façades de tiroirs en acier inoxydable
- pattes de nivellement ajustables
- expédiés complètement assemblés

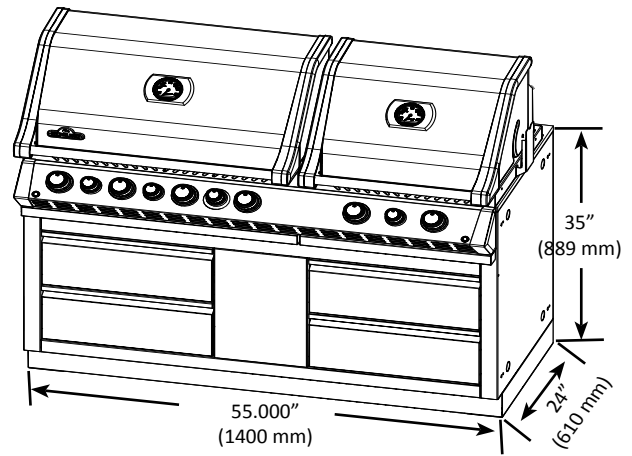


CABINET POUR GRIL 825 IM-UGC825

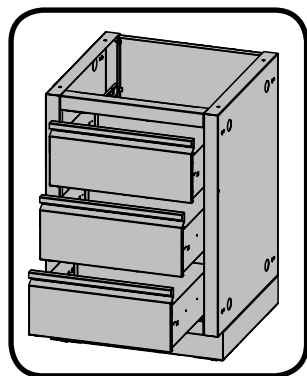
FR



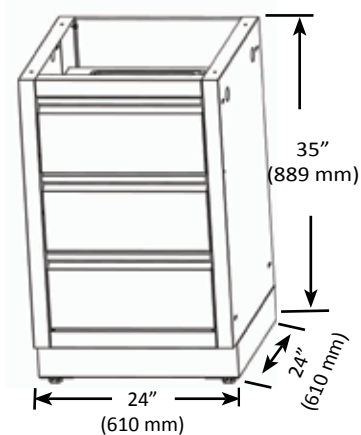
- cabinet pour gril nécessaire pour les appareils BIPRO825
- cuve de gril non comprise
- 4 tiroirs sur glissière à roulettes
- panneaux arrière et latéraux munis de plaques poinçonnées pour y insérer les conduites de gaz
- façades de tiroirs en acier inoxydable
- pattes de nivellement ajustables
- expédiés complètement assemblés



CABINET À 3 TIROIRS IM-3DC

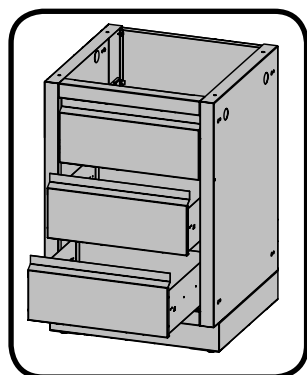


- 3 tiroirs sur glissière à roulettes
- façades de tiroirs en acier inoxydable
- pattes de nivellement ajustables
- expédiés complètement assemblés

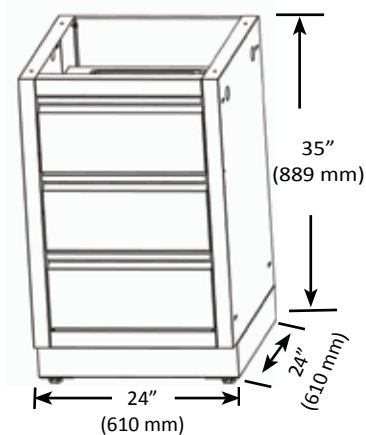


FR

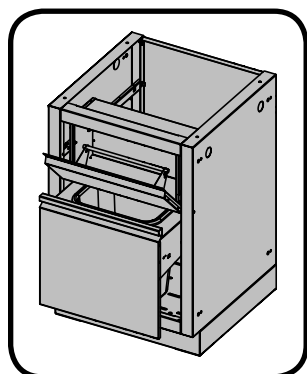
CABINET À 2 TIROIRS IM-2DC



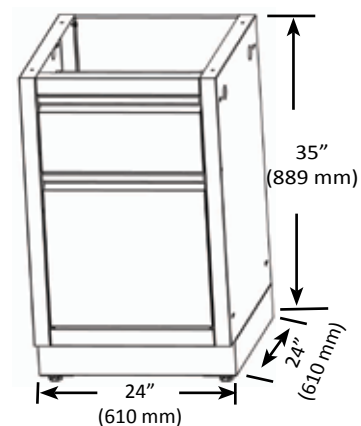
- 2 tiroirs sur glissière à roulettes
- façades de tiroirs en acier inoxydable
- pattes de nivellement ajustables
- le tiroir du haut est un faux tiroir
- utilisez-le lorsque vous installez un évier ou un brûleur latéral sur le dessus du cabinet
- expédiés complètement assemblés



TIROIR À DÉCHETS ET PORTE ESSUIE-TOUT IM-WDC

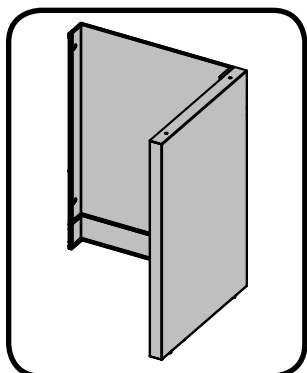


- 1 tiroir à déchets sur glissières à roulettes
- panier à déchets robuste et amovible
- porte essuie-tout dissimulé dans la partie supérieure
- façades de tiroirs en acier inoxydable
- pattes de nivellement ajustables
- ne peut pas utiliser-le lorsque vous installez un évier ou un brûleur latéral sur le dessus du cabinet
- expédiés complètement assemblés

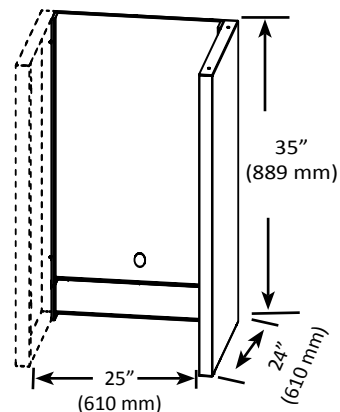


CABINET POUR RÉFRIGÉRATEUR EXTRÉMITÉ IM-FEP

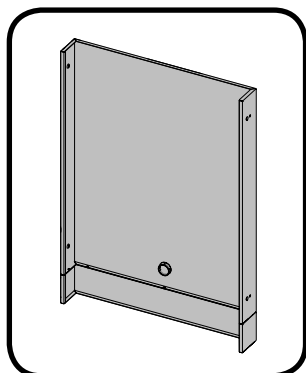
FR



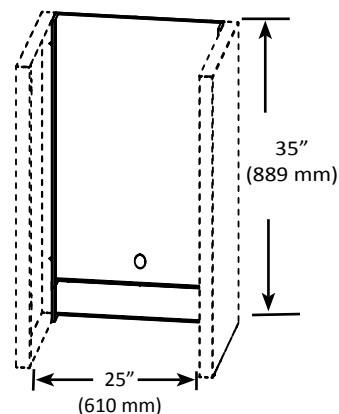
- Ne pas placer directement à côté du grill.
- ne peut pas utiliser-le lorsque vous installez un évier ou un brûleur latéral sur le dessus du cabinet
- un espace minimal de 6" (150 mm) est requis entre l'arrière du cabinet et les structures adjacentes.
- pattes de nivellement ajustables
- Napoleon modèle NFR055ORSS.



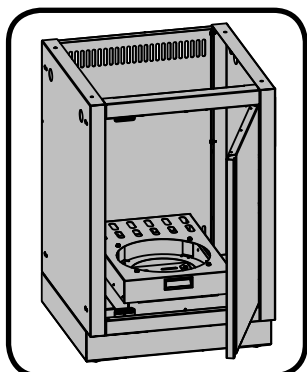
CABINET POUR RÉFRIGÉRATEUR CENTRE IM-FMP



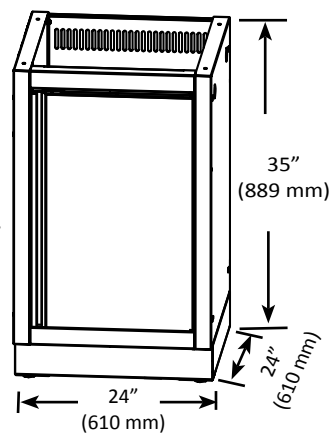
- Ne pas placer directement à côté du grill.
- ne peut pas utiliser-le lorsque vous installez un évier ou un brûleur latéral sur le dessus du cabinet
- un espace minimal de 6" (150 mm) est requis entre l'arrière du cabinet et les structures adjacentes.
- Napoleon modèle NFR055ORSS.



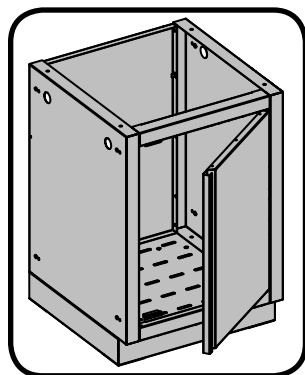
CABINET POUR RÉSERVOIR DE PROPANE IM-UTC



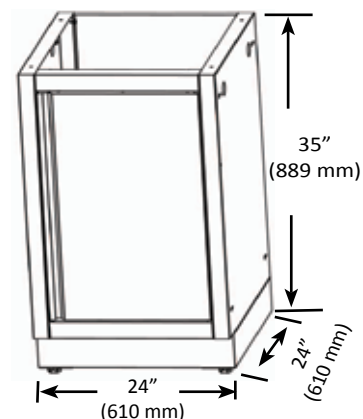
- cabinet de rangement pour réservoir de propane
- façades de porte en acier inoxydable
- porte universelle, ouverture à droite ou à gauche
- tablette coulissante pour faciliter l'installation du réservoir
- pattes de nivellement ajustables
- expédiés complètement assemblés



CABINET À PORTE UNIVERSEL IM-UDC

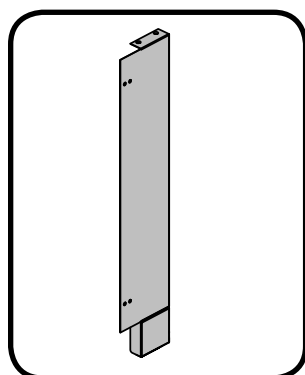


- porte réversible, ouverture à gauche ou à droite
- porte en acier inoxydable
- parfait pour le rangement à l'extérieur
- pattes de nivellement ajustables
- expédiés complètement assemblés

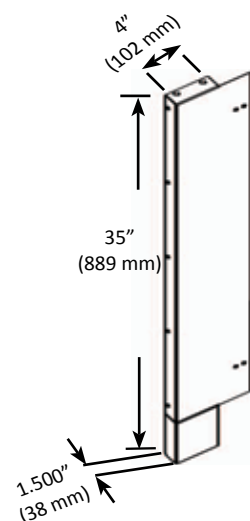


FR

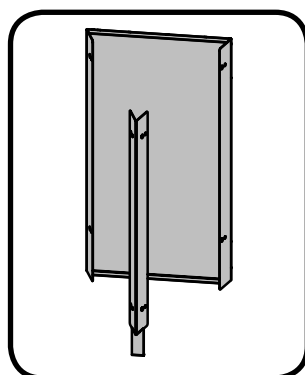
ESPACEUR MURAL IM-WSF



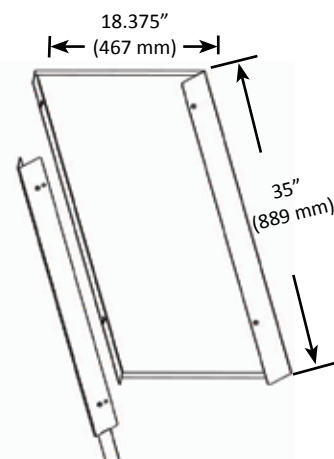
- panneaux peints
- permet de maintenir l'espacement requis dans le cas des installations contre un mur de la maison ou près d'un aménagement extérieur (pour le couvercle à s'ouvrir)
- les dégagements aux matériaux combustibles doivent être conservés selon les valeurs se trouvant sur la plaque d'homologation du grill
- comble l'espace entre le cabinet et la maison



PIÈCE DE TRANSITION 45 DEGRÉS IM-45T

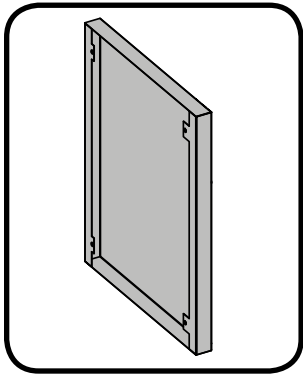


- pièces de transition peintes servant à réunir 2 cabinets à un angle de 45 degrés
- peut être doublé pour créer une transition de 90 degrés
- Si une pièce de transition est installée directement à côté du grill, le module IM-2DC (module à deux tiroirs) doit être utilisé de l'autre côté de la pièce de transition. Les autres modules avec tiroirs ou porte risquent d'accrocher le panneau de commande du grill.

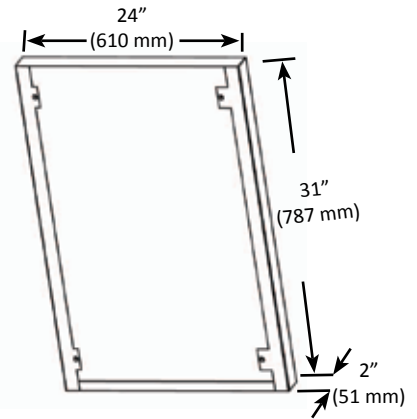


PANNEAU D'EXTRÉMITÉ IM-CEP

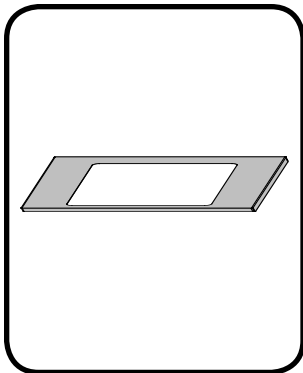
FR



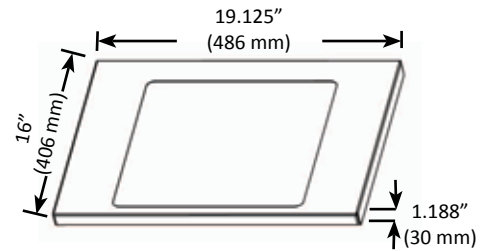
- panneau d'extrémité peint
- à installer à l'extrémité d'une rangée de cabinets pour couvrir les ouvertures laissées par les plaques poinçonnées et les trous de montage



SUPPORT POUR BAC À GLACE IM-IBA



- plateau en acier inoxydable
- s'installe sur le dessus d'un tiroir standard
- supporte une combinaison de plateaux de service petits ou grands en acier inoxydable



PLANIFICATION DE VOTRE ÎLOT MODULAIRE EXTÉRIEUR NAPOLÉON

FR

La polyvalence est à la base de la conception de la série des Îlots modulaires extérieurs Napoléon. Pour convenir à vos besoins, la configuration des cabinets est presque illimitée. Les îlots peuvent être installés contre un mur de la maison ou comme îlot isolé, créant ainsi l'élément central de votre cour arrière. Grâce à ses fonctions multiples et à sa capacité de rangement, votre îlot peut être transformé en une cuisine extérieure. Ainsi, l'hôte évolue au cœur de l'action lorsqu'il reçoit ses invités.

Les cabinets sont conçus pour être facilement assemblés et installés par le propriétaire ou un entrepreneur. Tous les cabinets mesurent 35" (889 mm) de haut par 24" (610 mm) de profond. Tous les cabinets mesurent 24" (610 mm) de large sauf les cabinets pour grils ENCASTRÉS dont la largeur correspond à celle de l'appareil pour lequel il est conçu. Le contrôle de température est situé à l'arrière du réfrigérateur. Le cabinet est muni d'un panneau amovible donnant accès au contrôle de température. Assurez-vous que le panneau demeure accessible une fois que le cabinet est installé. Chaque cabinet est muni de quatre pattes de nivellement pour un ajustement facile sur les surfaces inégales. Les cabinets à deux tiroirs sont conçus pour les grils ENCASTRÉS Napoléon seulement et sont offerts en plusieurs grandeurs. Les grils ENCASTRÉS sont de grandeurs différentes. Consultez le manuel d'instructions de votre gril pour obtenir les instructions d'installation et de fonctionnement appropriées.

Les grils encastrés de la série BUILT-IN sont disponibles en tant que modèle fonctionnant au propane ou au gaz naturel. Le gaz naturel est le choix évident pour plusieurs des personnes qui l'utilisent déjà dans leur maison. Toutes les modifications ou installations relatives au gaz doivent être faites par un installateur de gaz qualifié. Les panneaux latéraux et arrière possèdent des plaques poinçonnées pour faciliter l'installation et le passage de la tuyauterie. Ceux qui opteront pour un gril au propane pourront aussi se procurer un cabinet pour y insérer le réservoir.

Les cabinets peuvent être installés contre un mur **INCOMBUSTIBLE** de la maison, un demi-mur en maçonnerie ou enduit de stuc, ou encore en tant qu'îlot isolé. Assurez-vous que la ventilation soit adéquate à l'arrière du cabinet du réfrigérateur - un espace minimal de 6" (150 mm) est requis entre l'arrière du cabinet et les structures adjacentes. Ne bloquez jamais les ouvertures de ventilation situées à l'arrière du cabinet sinon le réfrigérateur risque de surchauffer. Lorsque vous placez un îlot contre un mur, un espace doit être ménagé pour permettre de lever le couvercle du gril. Pour ce faire, vous devez acheter et installer un espaceur mural optionnel de 4 po. L'espaceur sert aussi à fermer l'espace entre le cabinet et le mur pour éviter que des débris ou des rongeurs y pénètrent. Pour une finition plus élégante, des panneaux d'extrémité, finis peints à base de poudre et d'une largeur de 2 po, peuvent être achetés pour recouvrir les ouvertures laissées par les plaques poinçonnées et les trous de montage situés dans les panneaux extérieurs des cabinets d'extrémité.

Lorsque vous utilisez des pièces de transition de 45° et 90°, les modules de chaque côté des pièces de transition doivent être choisis soigneusement. Si des modules avec des portes ou des tiroirs sont utilisés de chaque côté d'une pièce de transition, ils se nuiront l'un l'autre lors de l'ouverture. Si un module avec tiroir est placé à côté d'un gril, le panneau de commande du gril empêchera l'ouverture du tiroir supérieur. La même chose s'applique pour le module avec le tiroir à déchets/porte essuie-tout. Les modules avec portes peuvent être installés à côté des pièces de transition de 45°, cependant, le panneau de commande du gril empêchera la porte de s'ouvrir complètement et risque d'endommager la porte. Le module idéal pour cette application est le module à deux tiroirs (faux tiroir dans le haut).

Des ensembles de brûleur latéral optionnels sont disponibles auprès de votre détaillant de gril à gaz Napoléon. Ces ensembles de brûleur latéral complètent à merveille les grils encastrés de la série BUILT-IN. Nous recommandons d'installer l'ensemble de brûleur latéral sur le dessus d'un cabinet IM-2DC. Le devant à faux tiroir dans le haut de ce cabinet fournit l'espace nécessaire pour le passage de la soupape et du boyau du brûleur. Le cabinet IM-2DC procure aussi l'espace requis pour ceux qui aimeraient installer un évier dans leur cuisine extérieure.

Les comptoirs doivent être commandés et fournis par le propriétaire. Si le gril est incorporé dans le comptoir, ce dernier doit être de nature **INCOMBUSTIBLE**. Les comptoirs peuvent être commandés à l'avance. Il suffit de faire un croquis de l'emplacement des cabinets et de calculer les dimensions du comptoir, en y ajoutant un surplomb de 1 à 2 pouces (25 mm-51 mm). La plupart des fabricants de comptoirs acceptent de venir prendre les mesures une fois l'assemblage des cabinets complété afin d'assurer un ajustement parfait.

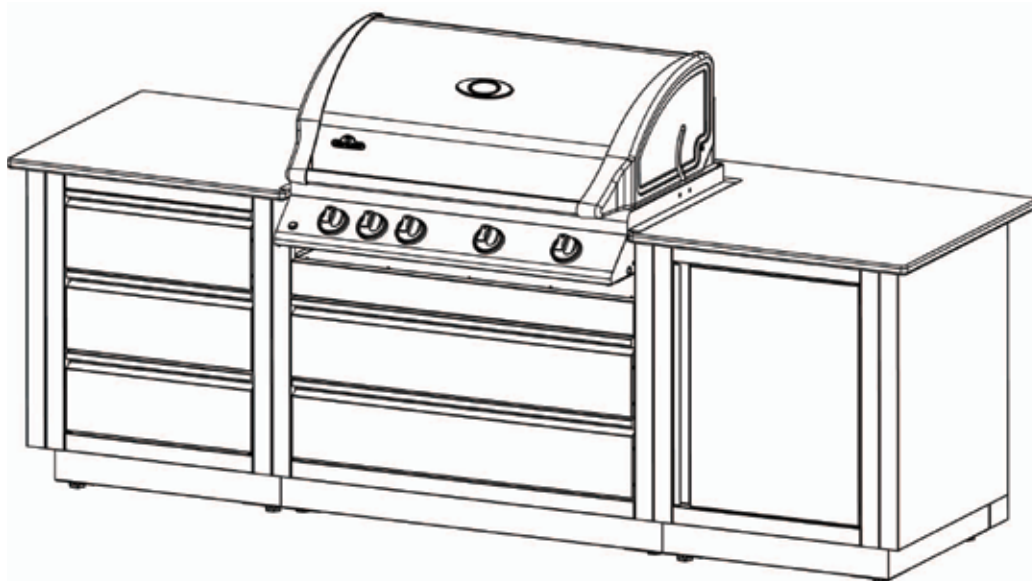
Le gril encastré est muni de supports en acier inoxydable et de ferrures qui permettent à l'appareil d'être placé sur le comptoir, au-dessus du cabinet approprié. Le granite, le MeganiteMD ou le Corian® représentent d'excellents choix de matériaux pour le comptoir. Pour insérer et retirer le tiroir d'égouttement correctement, la tête de gril encastré doit être soutenue par un comptoir avec une épaisseur entre ½" (13mm) et 1 ½" (38mm).

Afin de les agencer aux couleurs de vos meubles extérieurs, vous pouvez opter pour des comptoirs décoratifs faits de carreaux de céramique reposant sur un panneau de béton.

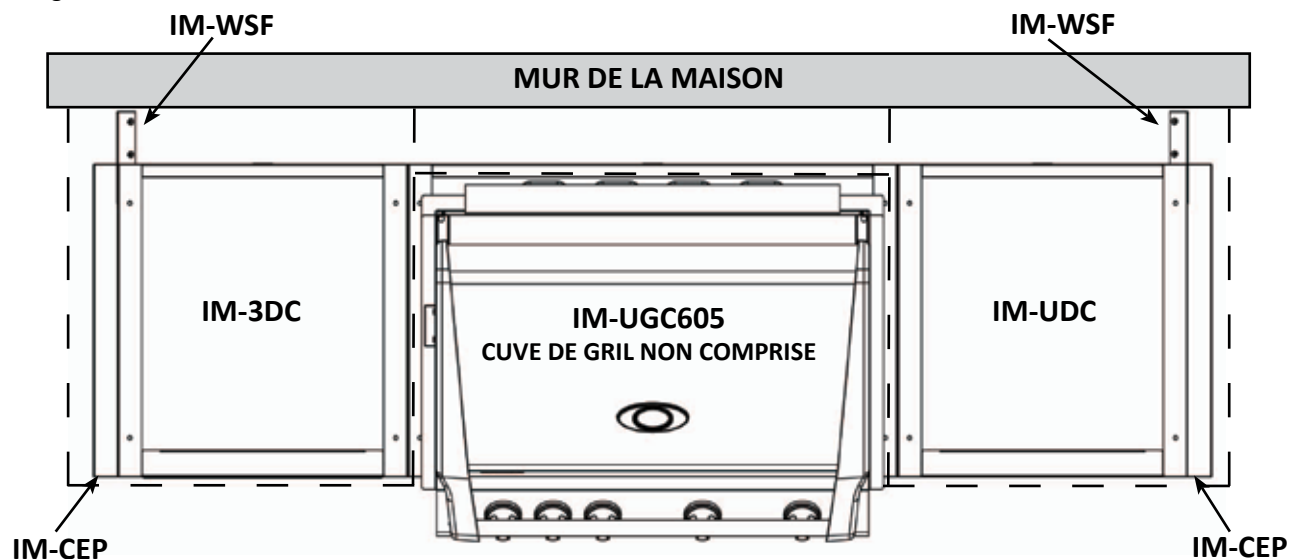


EXEMPLE 1 : ÎLOT AVEC GRIL ENCASTRÉ 605 SITUÉ CONTRE UN MUR INCOMBUSTIBLE

FR



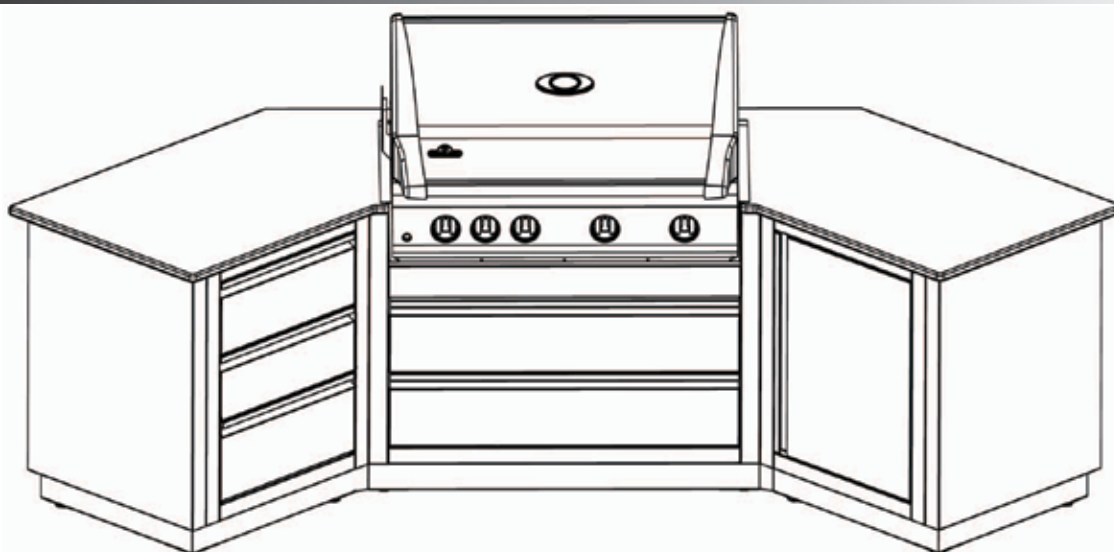
L'exemple ci-dessus montre une installation contre un mur incombustible de la maison. Ci-dessous, les lignes pointillées indiquent le périmètre du comptoir (non fourni). Un ensemble d'espaceur mural IM-WSF est installé à deux endroits, ce qui laisse un jeu de 4 po (102 mm) entre l'unité et le mur pour permettre l'ouverture du couvercle du gril. **L'espaceur mural WSF ne fournit pas suffisamment de dégagement pour permettre à l'appareil d'être placé contre un mur combustible. Les dégagements aux matériaux combustibles inscrits sur la plaque d'homologation du gril doivent être conservés.** L'ensemble s'étend du comptoir jusqu'à la surface de la terrasse. Ce faisant, l'espace derrière l'îlot est bloqué, ce qui empêche les débris de tomber à l'arrière du cabinet. Le panneau d'extrémité IM-CEP est aussi illustré. Ce panneau embellit la finition aux extrémités des cabinets assemblés en recouvrant les ouvertures laissées par les plaques poinçonnées et les trous de montage.



MODULE	DESCRIPTION	QTY	PRODUIT DE REMPLACEMENT	DESCRIPTION	QTY
* IM-UGC605-CN	CABINET POUR GRIL 605	1			
* BILEX605RB-N	LEX 605 BUILTIN NATURAL	1	BILEX605RB-P	LEX 605 BUILTIN PROPANE	1
IM-UDC-CN	CABINET À PORTE UNIVERSEL	1	IM-UTC-CN	CABINET POUR RÉSERVOIR DE PROPANE	1
IM-3DC-CN	CABINET À 3 TIROIRS	1			
IM-CEP-CN	PANNEAU D'EXTRÉMITÉ	2			

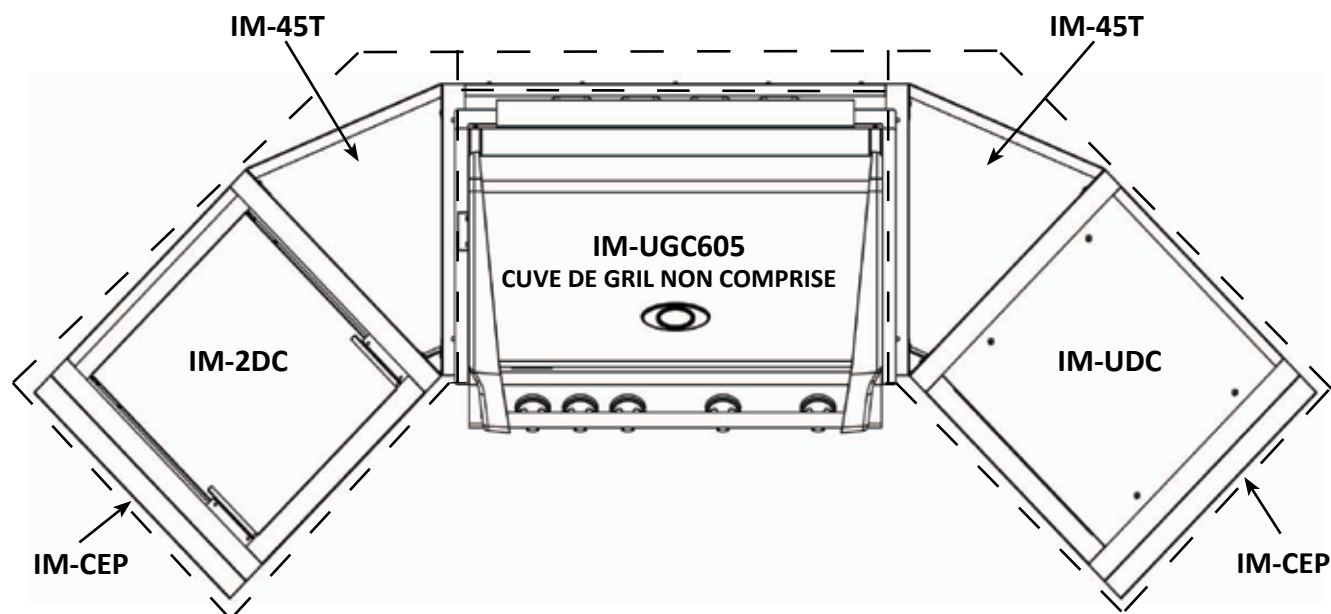
***La cuve de gril peut être remplacée par d'autres. S'assurer de choisir le cabinet pour gril approprié.**

EXEMPLE 2 : ÎLOT ANGULAIRE AVEC GRIL ENCASTRÉ 605



FR

La configuration ci-dessus montre un îlot isolé. Ci-dessous, les lignes pointillées indiquent le périmètre du comptoir (non fourni). L'unité est mise en angle grâce à l'ensemble IM-45T d'un côté ou l'autre de l'unité, ce qui permet de faire pivoter le cabinet latéral de 45 degrés. Le panneau d'extrémité IM-CEP est aussi illustré. Ce panneau embellit la finition aux extrémités des cabinets assemblés en recouvrant les ouvertures laissées par les plaques poinçonnées et les trous de montage.

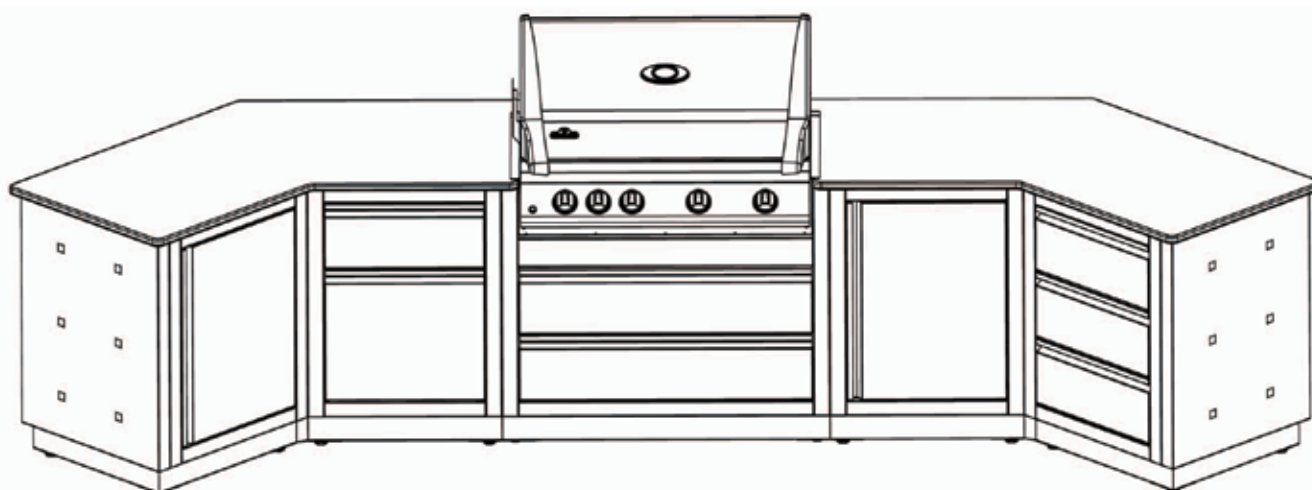


MODULE	DESCRIPTION	QTY	PRODUIT DE REMPLACEMENT	DESCRIPTION	QTY
* IM-UGC605-CN	CABINET POUR GRIL 605	1			
* BILEX605RB-N	LEX 605 BUILTIN NATURAL	1	BILEX605RB-P	LEX 605 BUILTIN PROPANE	1
IM-UDC-CN	CABINET À PORTE UNIVERSAL	1	IM-UTC-CN	CABINET POUR RÉSERVOIR DE PROPANE	1
IM-WDC-CN	TIROIR À DÉCHETS ET PORTE ESSUIE-TOUT	1			
IM-45T-CN	PIÈCE DE TRANSITION 45 DEGRÉS	2			
IM-CEP-CN	PANNEAU D'EXTRÉMITÉ	2			

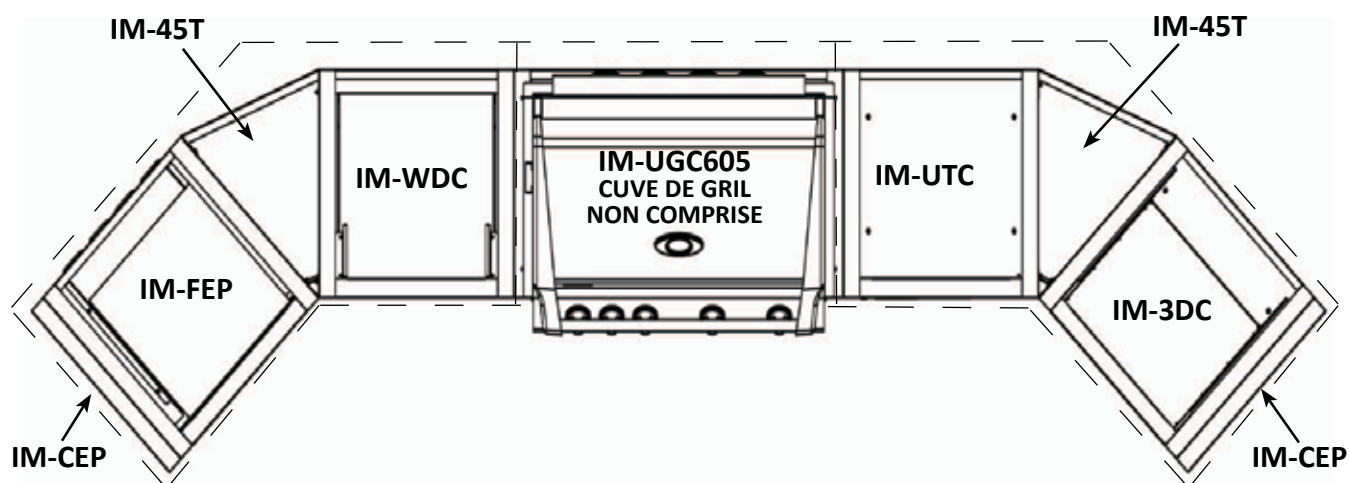
*La cuve de grill peut être remplacée par d'autres. S'assurer de choisir le cabinet pour grill approprié.

EXEMPLE 3 : ÎLOT ANGULAIRE AVEC GRIL ENCASTRÉ 605

FR



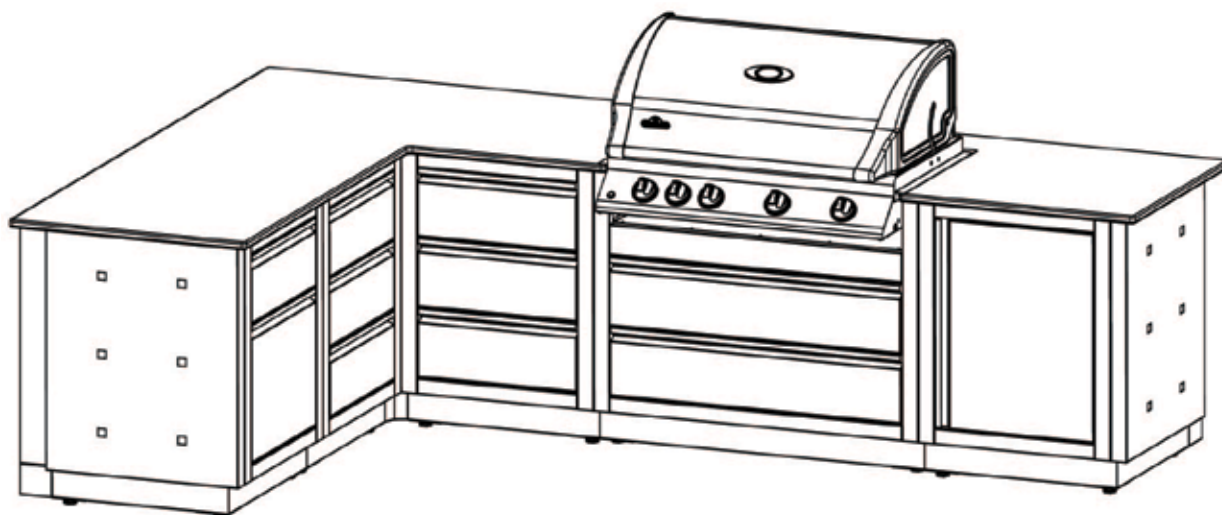
La configuration ci-dessus montre un îlot isolé. Ci-dessous, les lignes pointillées indiquent le périmètre du comptoir (non fourni). L'unité est mise en angle grâce à l'ensemble IM-45T d'un côté ou l'autre de l'unité, ce qui permet de faire pivoter le cabinet latéral de 45 degrés. Le panneau d'extrémité IM-CEP est aussi illustré. Ce panneau embellit la finition aux extrémités des cabinets assemblés en recouvrant les ouvertures laissées par les plaques poinçonnées et les trous de montage.



MODULE	DESCRIPTION	QTY	PRODUIT DE REMPLACEMENT	DESCRIPTION	QTY
* IM-UGC605	CABINET POUR GRIL 605	1			
* BILEX605RB-P	LEX 605 BUILTIN PROPANE	1	BILEX605RB-N	LEX 605 BUILTIN NATURAL	1
IM-UTC-CN	CABINET POUR RÉSERVOIR DE PROPANE	1	IM-UDC-CN	CABINET À PORTE UNIVERSAL	1
IM-FEP-CN	CABINET POUR RÉFRIGÉRATEUR EXTRÉMITÉ	1	IM-3DC-CN	CABINET À 3 TIROIRS	1
IM-3DC-CN	CABINET À 3 TIROIRS	1	IM-FEP-CN	CABINET POUR RÉFRIGÉRATEUR EXTRÉMITÉ	1
IM-WDC-CN	TIROIR À DÉCHETS ET PORTE ESSUE-TOUT	1			
IM-45T-CN	PIÈCE DE TRANSITION 45 DEGRÉS	2			
IM-CEP-CN	PANNEAU D'EXTRÉMITÉ	2			

***La cuve de gril peut être remplacée par d'autres. S'assurer de choisir le cabinet pour gril approprié. Napoleon modèle NFR055ORSS.**

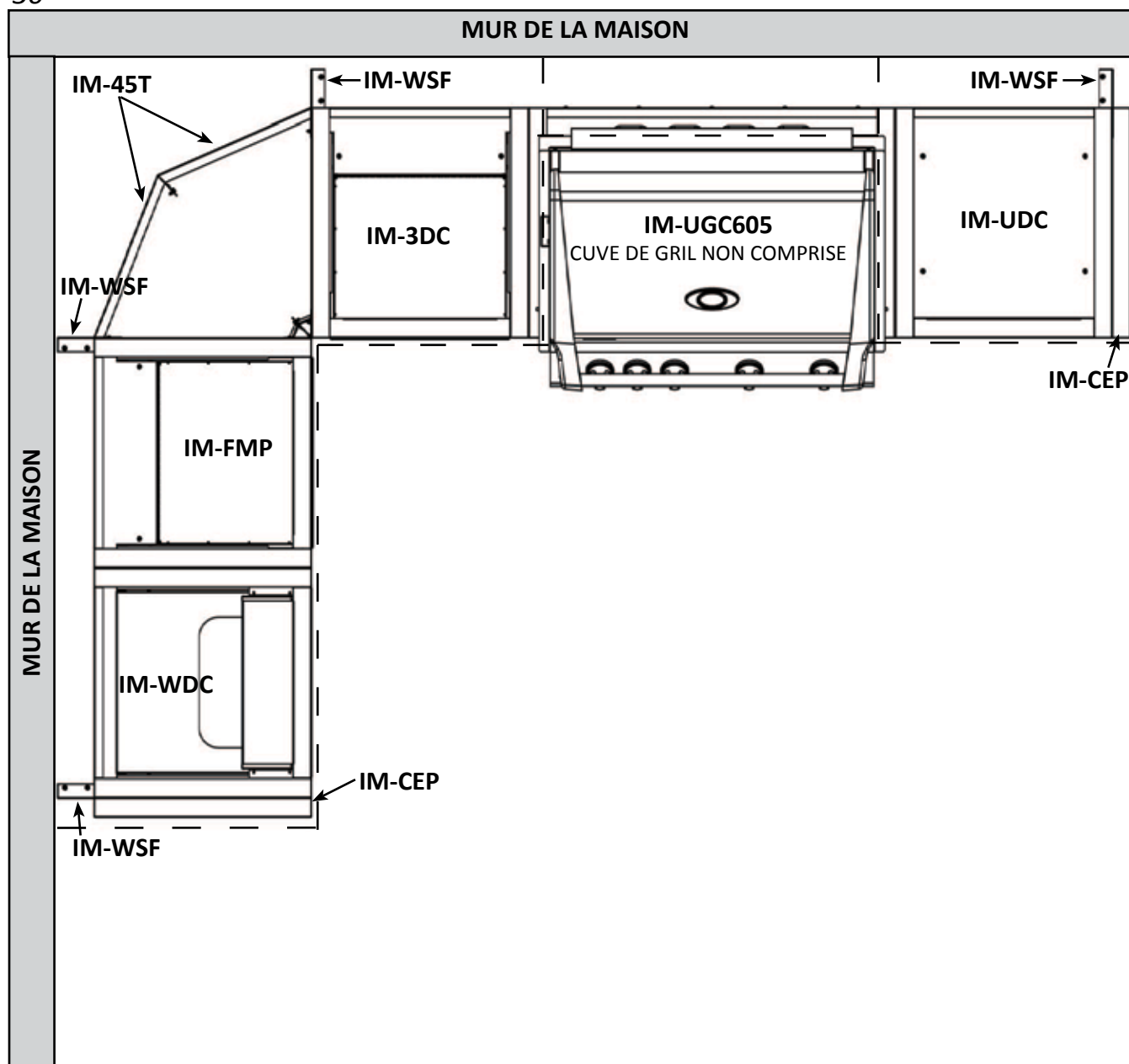
EXEMPLE 4 : ÎLOT À 90 ° AVEC GRIL ENCASTRÉ 605 SITUÉ CONTRE UN MUR INCOMBUSTIBLE



FR

La configuration suivante montre un îlot installé contre un mur incombustible de la maison. Ci-dessous, les lignes pointillées indiquent le périmètre du comptoir (non fourni). Un ensemble d'espaceur mural IM-WSF est installé à quatre endroits, ce qui laisse un jeu de 4 po (102 mm) entre l'unité et le mur pour permettre l'ouverture du couvercle du grill. **L'espaceur mural WSF ne fournit pas suffisamment de dégagement pour permettre à l'appareil d'être placé contre un mur combustible. Les dégagements aux matériaux combustibles inscrits sur la plaque d'homologation du grill doivent être conservés.** L'ensemble s'étend du comptoir jusqu'à la surface de la terrasse. Ce faisant, l'espace derrière l'îlot est bloqué, ce qui empêche les débris de tomber à l'arrière du cabinet. L'angle de 90° du cabinet est créé en réunissant deux ensembles IM-45T, ceux-ci servant aussi à supporter le comptoir. Le panneau d'extrémité IM-CEP est aussi illustré. Ce panneau embellit la finition aux extrémités des cabinets assemblés en recouvrant les ouvertures laissées par les plaques poinçonnées et les trous de montage.

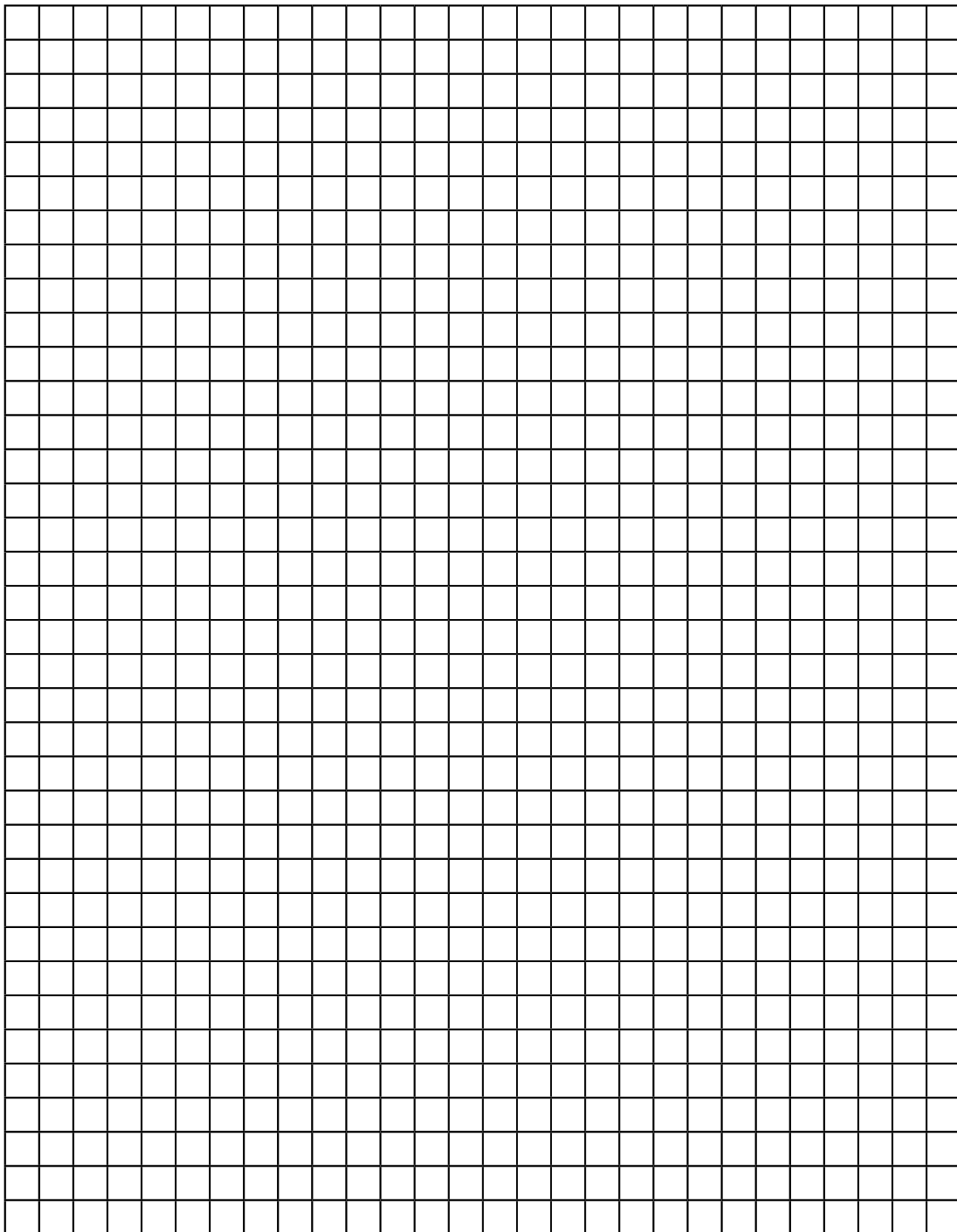
FR



MODULE	DESCRIPTION	QTY	PRODUIT DE REMPLACEMENT	DESCRIPTION	QTY
* IM-UGC605-CN	CABINET POUR GRIL 605	1			
* BIM605RB-N	MIRAGE 605 BUILTIN NATURAL	1	BIM605RB-P	MIRAGE 605 BUILTIN PROPANE	1
IM-3DC-CN	CABINET À 3 TIROIRS	1			
IM-FMP-CN	CABINET POUR RÉFRIGÉRATEUR CENTRE	1	IM-3DC-CN	CABINET À 3 TIROIRS	1
IM-UDC-CN	CABINET À PORTE UNIVERSEL	1	IM-UTC-CN	CABINET POUR RÉSERVOIR DE PROPANE	1
IM-WDC-CN	TIROIR À DÉCHETS ET PORTE ESSUIE-TOUIT	1	IM-FEP-CN	CABINET POUR RÉFRIGÉRATEUR EXTRÉMITÉ	1
IM-WSF-CN	ESPACEUR MURAL	4			
IM-45T-CN	PIÈCE DE TRANSITION 45 DEGRÉS	2			
IM-CEP-CN	PANNEAU D'EXTRÉMITÉ	2			

*La cuve de gril peut être remplacée par d'autres. S'assurer de choisir le cabinet pour gril approprié. **Napoleon modèle NFR055ORSS.**

PAGE DE PLANIFICATION

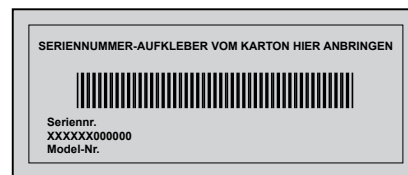


FR

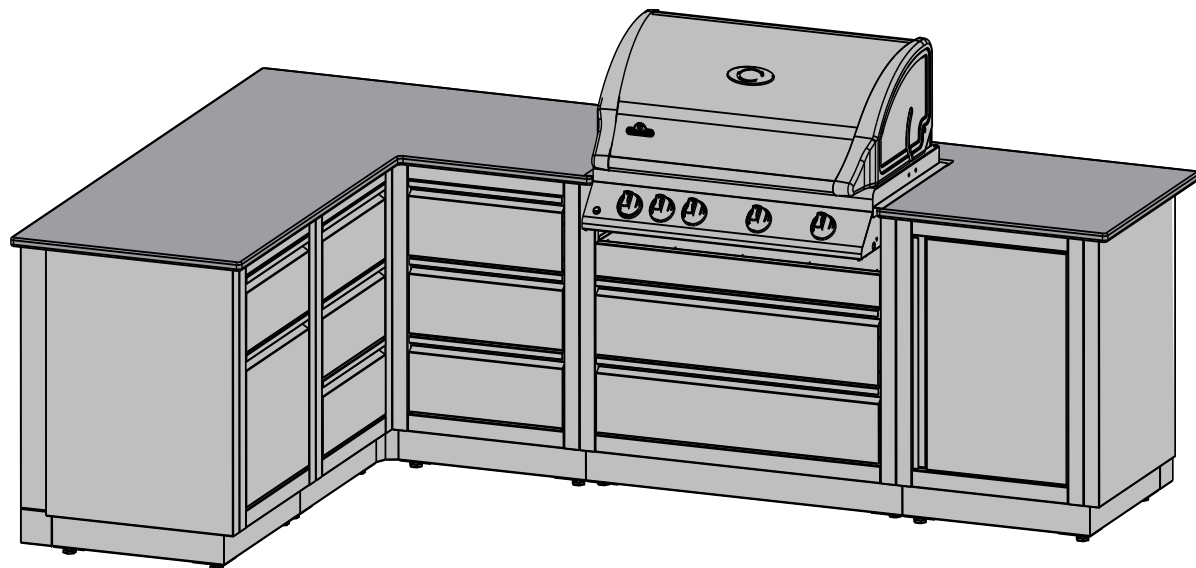
PAGE DE PLANIFICATION

FR

A large grid for planning, consisting of 20 columns and 30 rows. The grid is empty and intended for scheduling or task management.



DE



OASIS™ MODULARE INSELN PLANNING GUIDE

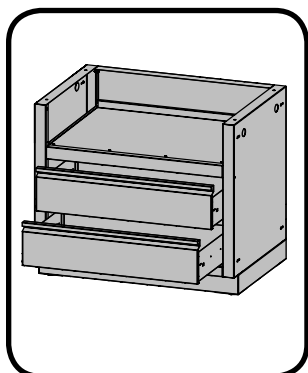
Napoleon Group of Companies
214 Bayview Dr., Barrie, Ontario, Canada L4N 4Y8
Phone: 1-705-726-4278 Fax: (705)-727-4282

www.napoleongrills.com

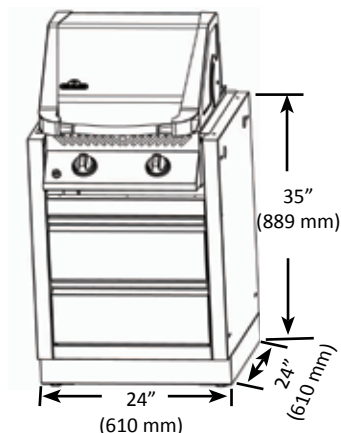
Customer Solutions: 1-866-820-8686 or grills@napoleonproducts.com

BEHALTEN SIE DIESE BROSCHÜRE ZUM SPÄTEREN NACHSCHLAGEN.

IM-UGC300 245/300 Grill-Unterschrank

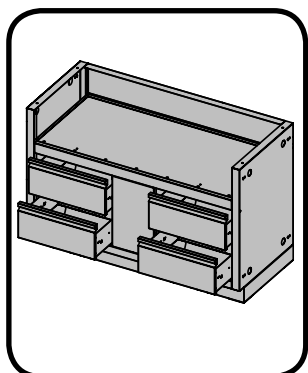


- Grill-Unterschrank für BISZ300 or BISB245
- Grillaufsatz nicht im Lieferumfang enthalten
- 2 Schubladen auf Gleitrollschienen
- Hinter- und Seitenpaneel mit Öffnung für Gasanschluss
- Fronten aus Edelstahl
- 4 justierbare Nivellierfüße zur optimalen Anpassung auf jedem Untergrund
- Vollständig montiert geliefert

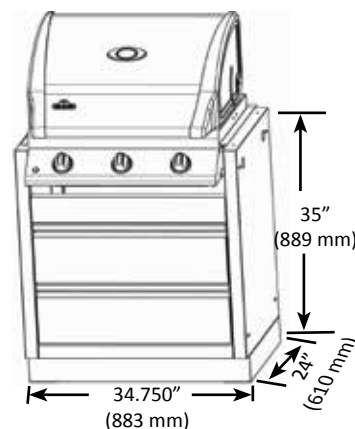


DE

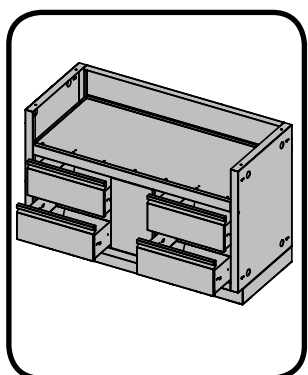
IM-UGC485 485 Grill-Unterschrank



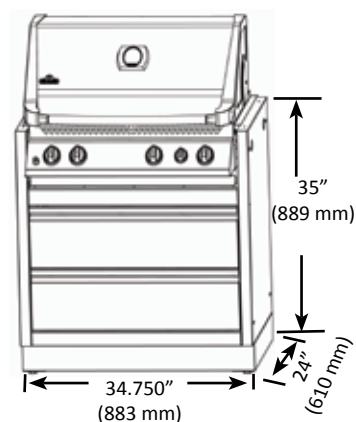
- Grill-Unterschrank für BIM485
- Grillaufsatz nicht im Lieferumfang enthalten
- 2 Schubladen auf Gleitrollschienen
- Hinter- und Seitenpaneel mit Öffnung für Gasanschluss
- Fronten aus Edelstahl
- 4 justierbare Nivellierfüße zur optimalen Anpassung auf jedem Untergrund
- Vollständig montiert geliefert



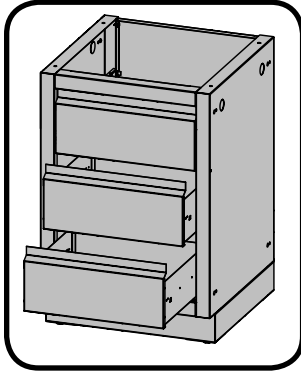
IM-UGC500 500 Grill-Unterschrank



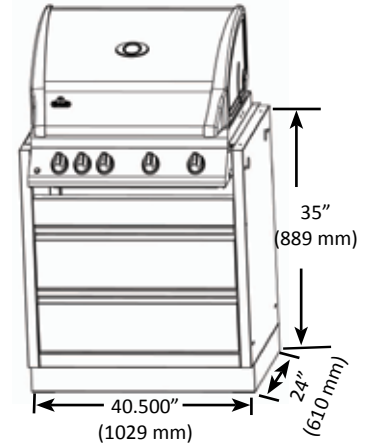
- Grill-Unterschrank für BIP500 / BIPRO500
- Grillaufsatz nicht im Lieferumfang enthalten
- 2 Schubladen auf Gleitrollschienen
- Hinter- und Seitenpaneel mit Öffnung für Gasanschluss
- Fronten aus Edelstahl
- 4 justierbare Nivellierfüße zur optimalen Anpassung auf jedem Untergrund
- Vollständig montiert geliefert



IM-UGC605 605 Grill-Unterschrank

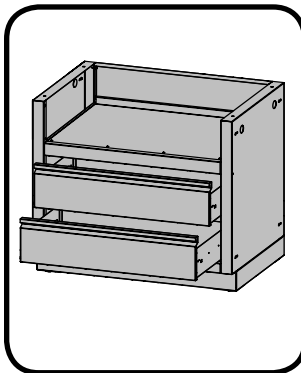


- Grill-Unterschrank für BIM605
- Grillaufsatz nicht im Lieferumfang enthalten
- 2 Schubladen auf Gleitrollschienen
- Hinter- und Seitenpaneel mit Öffnung für Gasanschluss
- Fronten aus Edelstahl
- 4 justierbare Nivellierfüße zur optimalen Anpassung auf jedem Untergrund
- Vollständig montiert geliefert

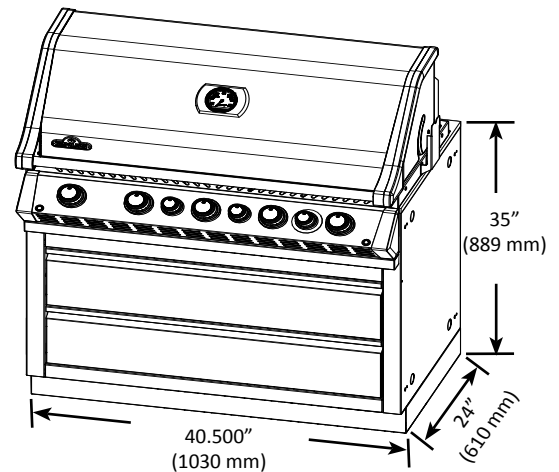


DE

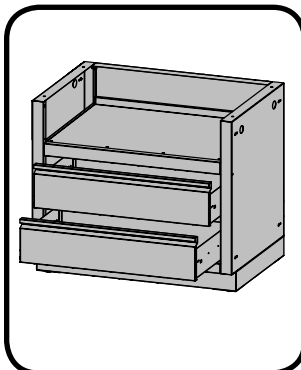
IM-UGC665 665 Grill-Unterschrank



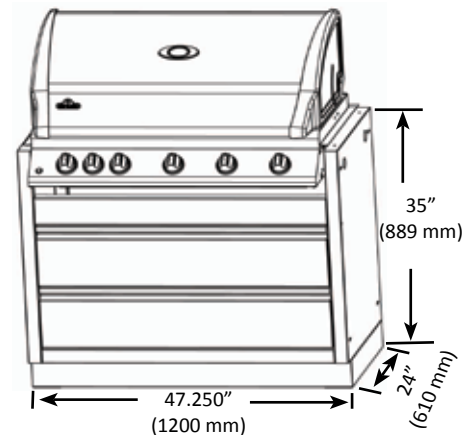
- Grill-Unterschrank für BIPRO665
- Grillaufsatz nicht im Lieferumfang enthalten
- 2 Schubladen auf Gleitrollschienen
- Hinter- und Seitenpaneel mit Öffnung für Gasanschluss
- Fronten aus Edelstahl
- 4 justierbare Nivellierfüße zur optimalen Anpassung auf jedem Untergrund
- Vollständig montiert geliefert



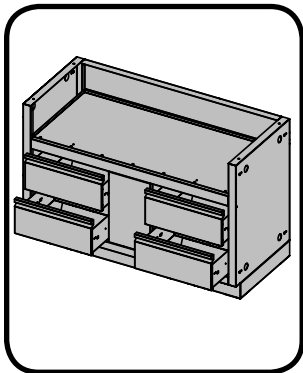
IM-UGC730 730 Grill-Unterschrank



- Grill-Unterschrank für BIM730
- Grillaufsatz nicht im Lieferumfang enthalten
- 2 Schubladen auf Gleitrollschienen
- Hinter- und Seitenpaneel mit Öffnung für Gasanschluss
- Fronten aus Edelstahl
- 4 justierbare Nivellierfüße zur optimalen Anpassung auf jedem Untergrund
- Vollständig montiert geliefert

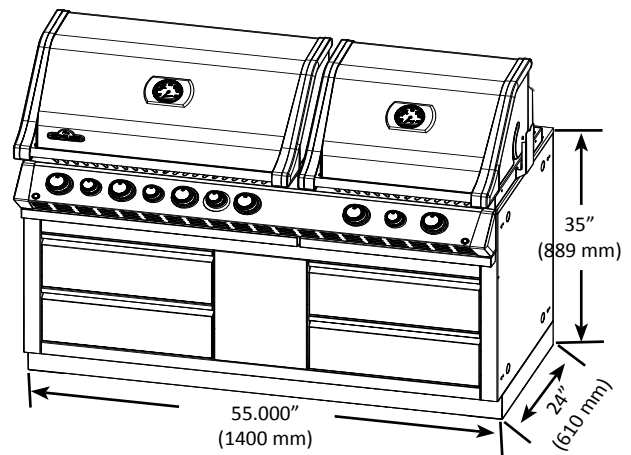


IM-UGC825 825 Grill-Unterschrank

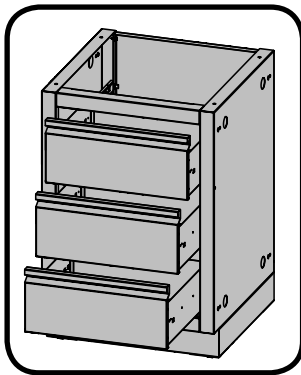


DE

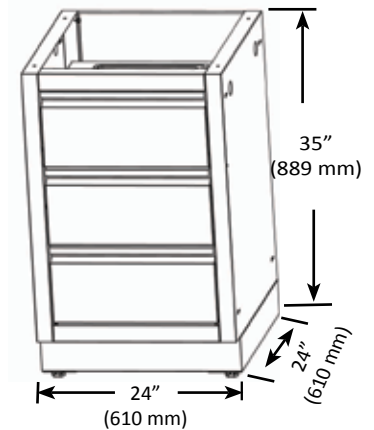
- Grill-Unterschrank für BIPRO825
- Grillaufsatz nicht im Lieferumfang enthalten
- 4 Schubladen auf Gleitrollschienen
- Hinter- und Seitenpaneel mit Öffnung für Gasanschluss
- Fronten aus Edelstahl
- 4 justierbare Nivellierfüße zur optimalen Anpassung auf jedem Untergrund
- Vollständig montiert geliefert



IM-3DC 3 Schubladenschrank

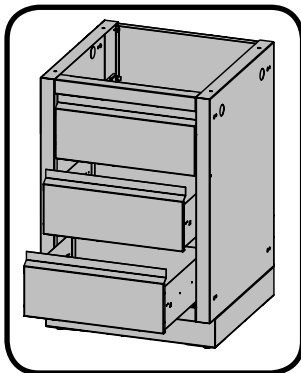


- 3 Schubladen auf Gleitrollschienen
- Fronten aus Edelstahl
- 4 justierbare Nivellierfüße zur optimalen Anpassung auf jedem Untergrund
- Vollständig montiert geliefert

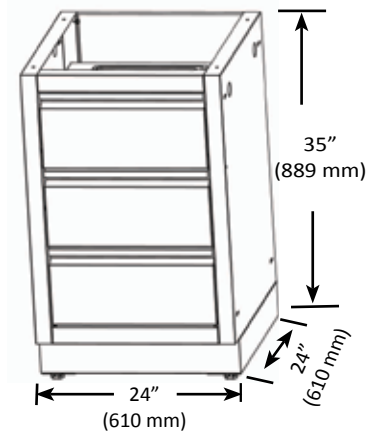


DE

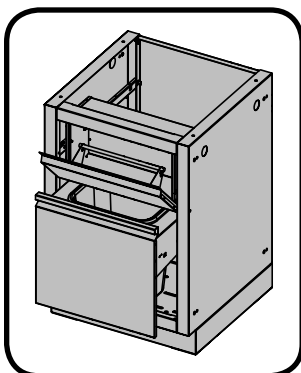
IM-2DC 2 Schubladenschrank



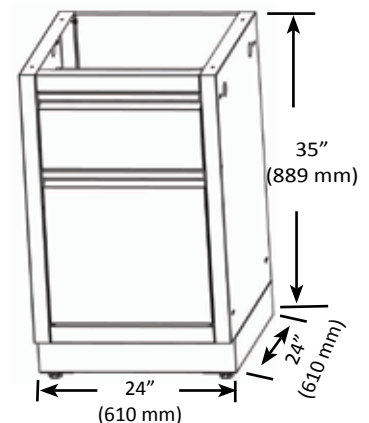
- 2 Schubladen auf Gleitrollschienen
- Fronten aus Edelstahl
- 4 justierbare Nivellierfüße zur optimalen Anpassung auf jedem Untergrund
- Erste Schublade ist „blind“ und daher geeignet für die Installation eines Seitenbrenners, eines Eiswürfelbehälters od. einer Spüle
- Vollständig montiert geliefert



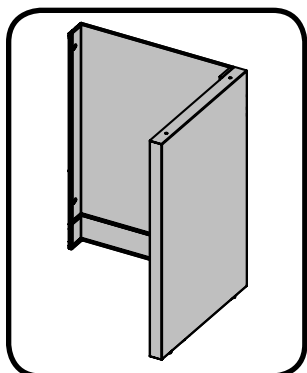
IM-WDC Küchenrollenhalter & Mülleimerschrank



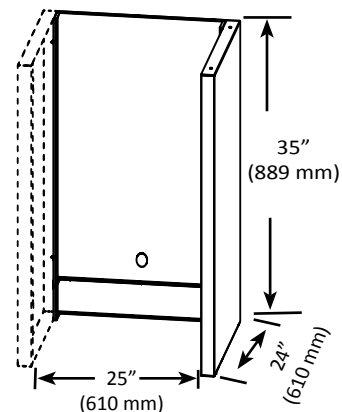
- Großzügige Mülleimer-Lade auf Gleitrollschienen
- Stabiler, herausnehmbarer Mülleimer
- Küchrollenhalter im oberen Fach
- Fronten aus Edelstahl
- 4 justierbare Nivellierfüße zur optimalen Anpassung auf jedem Untergrund
- Kann nicht unterhalb eines Seitenbrenners oder einer Spüle verwendet werden
- Vollständig montiert geliefert



IM-FEP Kühlschrank

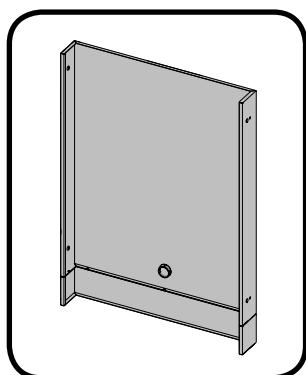


- Nicht direkt neben dem Grill platzieren
- Mindestabstand von 150 mm zwischen Schrankrück- seite und Wand oder anderen Objekten erforderlich
- 4 justierbare Nivellierfüße zur optimalen Anpassung auf jedem Untergrund
- Kann nicht unterhalb eines Seitenbrenners oder einer Spüle verwendet werden
- Napoleon model NFR055ORSS.

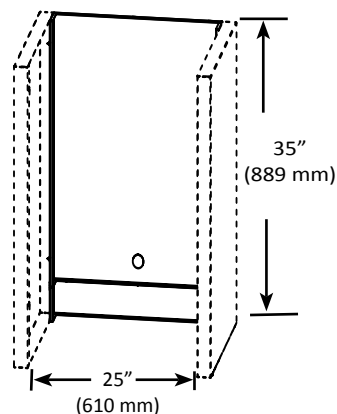


DE

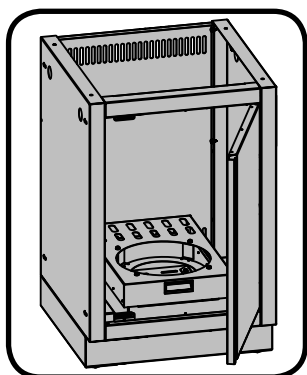
IM-FMP Kühlschrank



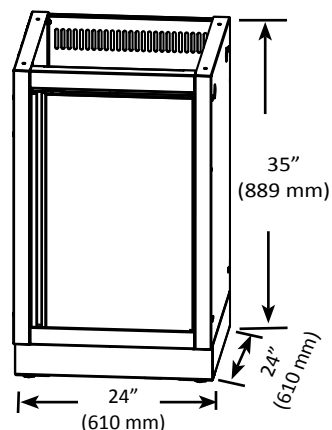
- Nicht direkt neben dem Grill platzieren
- Mindestabstand von 150 mm zwischen Schrankrück- seite und Wand oder anderen Objekten erforderlich
- 4 justierbare Nivellierfüße zur optimalen Anpassung auf jedem Untergrund
- Napoleon model NFR055ORSS.



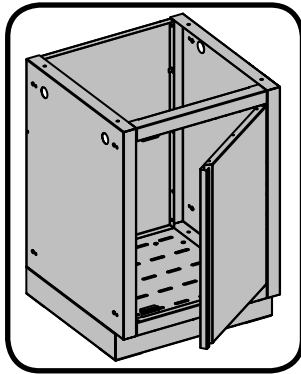
IM-UTC Gasflaschen Schrank



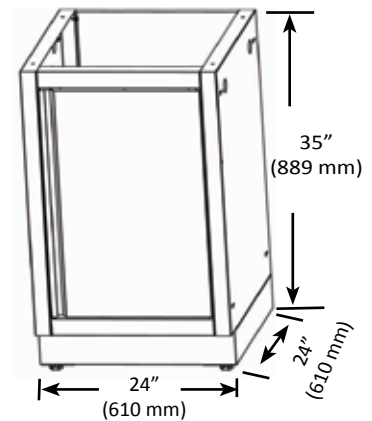
- Schrank zur Aufbewahrung der Propangasflasche
- Fronten aus Edelstahl
- Türe rechts oder links anschlagbar
- Auszug zum bequemen Wechseln der Gasflasche
- 4 justierbare Nivellierfüße zur optimalen Anpassung auf jedem Untergrund
- Vollständig montiert geliefert



IM-UDC Universal Schrank

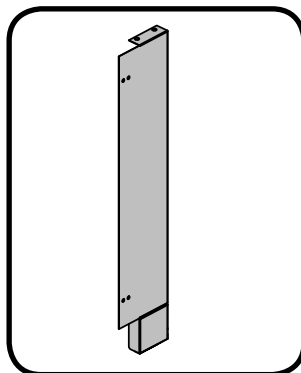


- Fronten aus Edelstahl
- Türe rechts oder links anschlagbar
- Großzügiger Innenraum
- 4 justierbare Nivellierfüße zur optimalen Anpassung auf jedem Untergrund
- Vollständig montiert geliefert

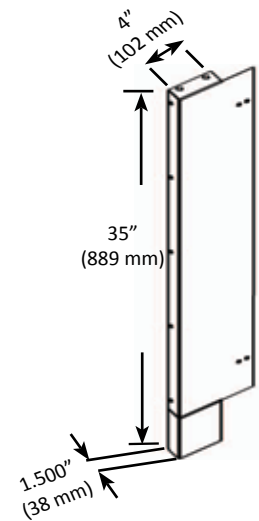


DE

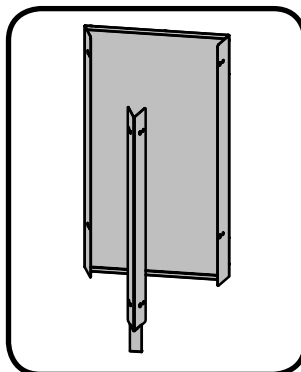
IM-WSF Wandabstandshalter



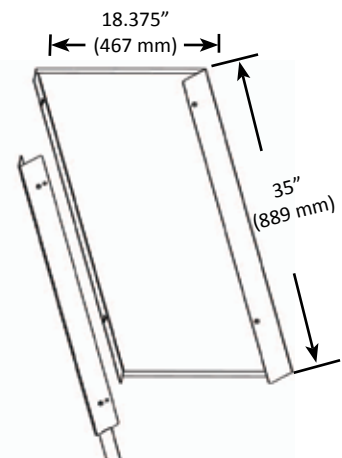
- lackierte Paneele als Distanzhalter zwischen Wand/Mauer und Outdoorküche oder als Abdeckung für Zwischenräume
- maintain required offset for installations fit against wall of house or landscaping (for lid to open)
- Abstand zu brennbaren Gegenständen muss gemäß Typenschild eingehalten werden



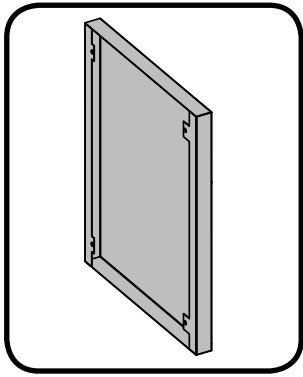
IM-45T 45° Verbindung



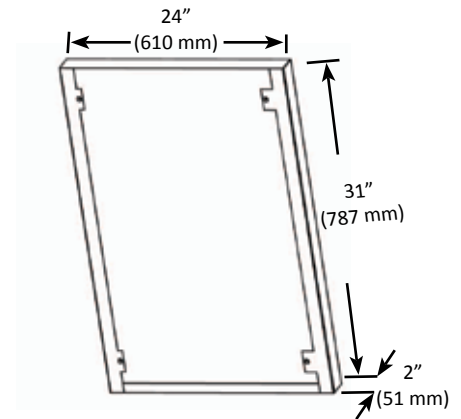
- lackierte Verbindungs-Paneele zur Verbindung von zwei Schränken im 45 Grad Winkel,
- kann verdoppelt werden, um so einen 90 Grad Winkel zu schaffen
- Wenn Sie die 45° Verbindung direkt vom Grill weggehen lassen möchten, sollten Sie anschließend das Modul IM-2DC (2 Schubladenschrank) verwenden. Andere Module könnten mit dem Bedienungs-Paneel des Grills zusammenstoßen.



IM-CEP End-Paneel

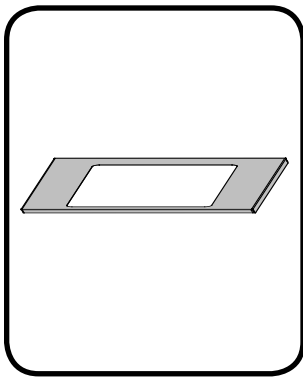


- lackiertes End-Paneel als seitlicher Abschluss (links/rechts) zum Abdecken von Vorprägungen und Montagelöchern

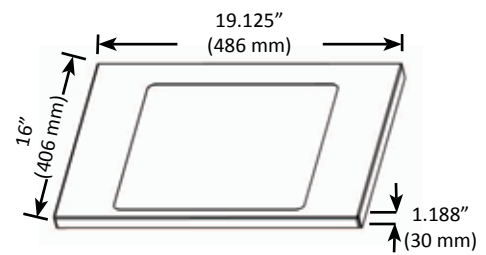


DE

IM-IBA Eiswürfelhalter



- Rahmen aus Edelstahl mit Ausnehmung für Eiswürfelbehälter (nicht im Lieferumfang inbegriffen)
- passend für Standard-Schubladenschrank (IM-2DC) oder Universal-Schränke (IM-UDC)



Planen Sie Ihre OASIS™ Outdoorküche mit NAPOLEON®

Mit OASIS™ Modularen Inseln können Sie Ihren Garten in eine wahre Grill-Oase verwandeln. Stellen Sie die einzelnen Module individuell zusammen und gestalten Sie Ihre Genusszone ganz nach Ihren Wünschen. OASIS™ Outdoorküchen können freistehend oder an einer nicht brennbaren Mauer montiert werden. Der edle Look, die zahlreichen Features und Stauräume sowie die leistungsstarken Grillaufsätze aus Prestige- und Mirage-Serien setzen Ihren Garten in Szene und sorgen für ein langes, geselliges Grillvergnügen.

Abmessungen

Die Module sind speziell für ein einfaches Kombinieren gestaltet. Alle Module sind 61 cm breit, 61 cm tief und 90 cm hoch. Der Temperaturregler befindet sich auf der Rückseite des Kühlschranks. Der Schrank verfügt über eine abnehmbare Klappe, die den Zugang zum Temperaturregler ermöglicht. Stellen Sie sicher, dass die Klappe frei zugänglich ist, wenn Sie den Schrank aufbauen. Davon ausgenommen sind diverse Grillunterschranke, die sich an der Größe der Grillfläche orientieren. Jedes Modul ist über vier Nivellierfüße ganz einfach an Unebenheiten anzupassen.

Gasanschluss

Sie können Ihre OASIS™ Outdoorküche mit Propangas oder Erdgas betreiben. Erdgas ist eine beliebte Variante für Häuser mit Gasanschluss. Die Gasinstallationen müssen von einem befugten Installateur vorgenommen werden. An der Rückseite und an den Seitenteilen der Module finden Sie Öffnungen für Gas- und Wasseranschlüsse. Wenn Sie sich für einen Propananschluss entscheiden, finden Sie im IM-UTC Gasflaschen Schrank ein praktisches Modul zur Lagerung Ihrer Gasflasche.

Montage

Alle Module können freistehend oder an einer nicht brennbaren Hausmauer, freistehenden Mauer oder Stuckmauer montiert werden. Stellen Sie sicher, dass hinter dem Kühlschrank eine ausreichende Entlüftung gegeben ist – der Abstand zwischen der Schrankrückseite und der Wand oder anderen Objekten muss mindestens 150 mm betragen. Die Entlüftungsöffnungen auf der Rückseite des Schranks dürfen auf keinen Fall blockiert werden. Wenn diese Bedingungen nicht erfüllt sind, kann dies zu einer Überhitzung des Kühlschranks führen. Um die Rollhaube bequem öffnen zu können, muss der Wandabstandshalter (IM-WSF Wandabstandshalter) montiert werden. Der Abstandshalter verschließt außerdem den Spalt zur Wand und verhindert so Schmutz oder Ablagerungen hinter dem Grill. Nutzen Sie die lackierten End-Paneele um die Vorprägungen und Öffnungen Ihrer OASIS™ Outdoorküchen-Module zu verdecken.

Besonderheiten

Wenn Sie Module im 45° oder 90° Winkel aufstellen möchten, bedenken Sie die benachbarten Module genau. Rollschubladen können sich beim Öffnen gegenseitig behindern. Wenn Sie anschließend an den Grill im 45° Winkel einen Schubladenschrank montieren möchten, empfehlen wir den IM-2DC 2 Schubladenschrank mit der „blinden“ obersten Lade. Andernfalls ist die oberste Lade nicht vollständig zu öffnen, denn das vorstehende Bedienungs-Paneel des Grills behindert die Lade.

Zusatzausstattungen

Seitenbrenner sind eine optimale Zusatzausstattung für Ihre OASIS™ Outdoorküche. Während der Braten unter der Rollhaube schmort, können Sie am Seitenbrenner schon Beilagen grillen. Am besten montieren Sie den Seitenbrenner über dem IM-2DC 2 Schubladenschrank. Dieser ist auch zum Einbau einer Spüle oder eines Eiswürfelbehälters geeignet.

Arbeitsplatten

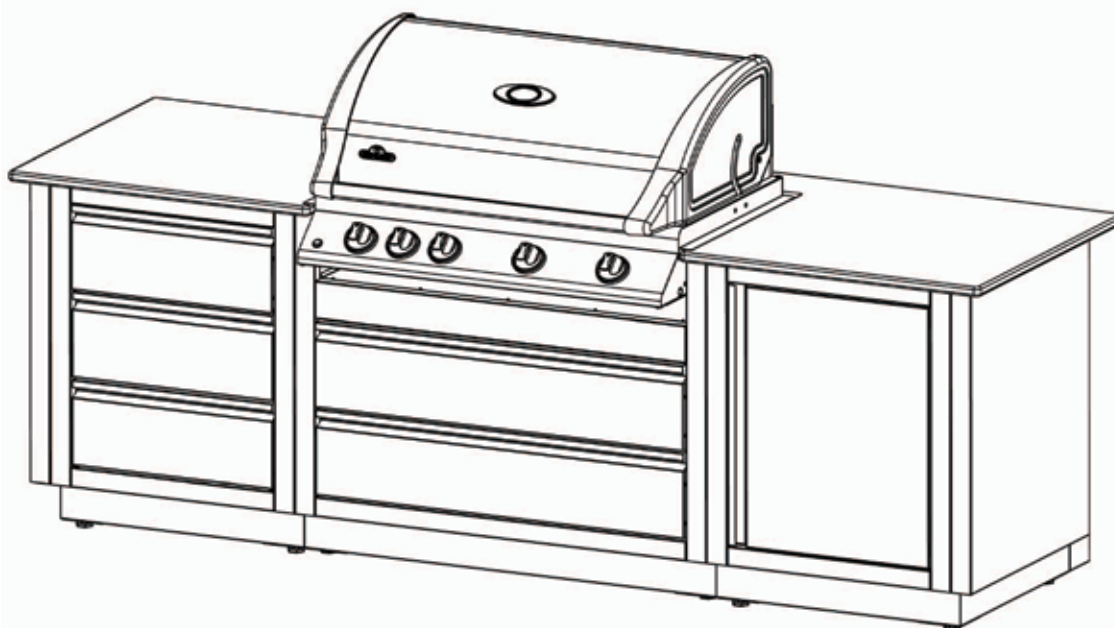
Aufgrund der vielfältigen Montage- und Gestaltungsmöglichkeiten der Arbeitsplatte ist diese nicht im Lieferumfang enthalten. Bitte achten Sie bei der Auswahl Ihrer Arbeitsplatte darauf, dass sie feuerfest und für die Verwendung im Freien geeignet ist.

Arbeitsplatten aus Granit oder Corian® sind besonders widerstandsfähig und auch optisch ein Highlight. Um die Abtropfschale ordnungsgemäß in die Grillwanne ein- und ausführen zu können, muss sie ein Stärke zwischen 13 mm und 38 mm haben.

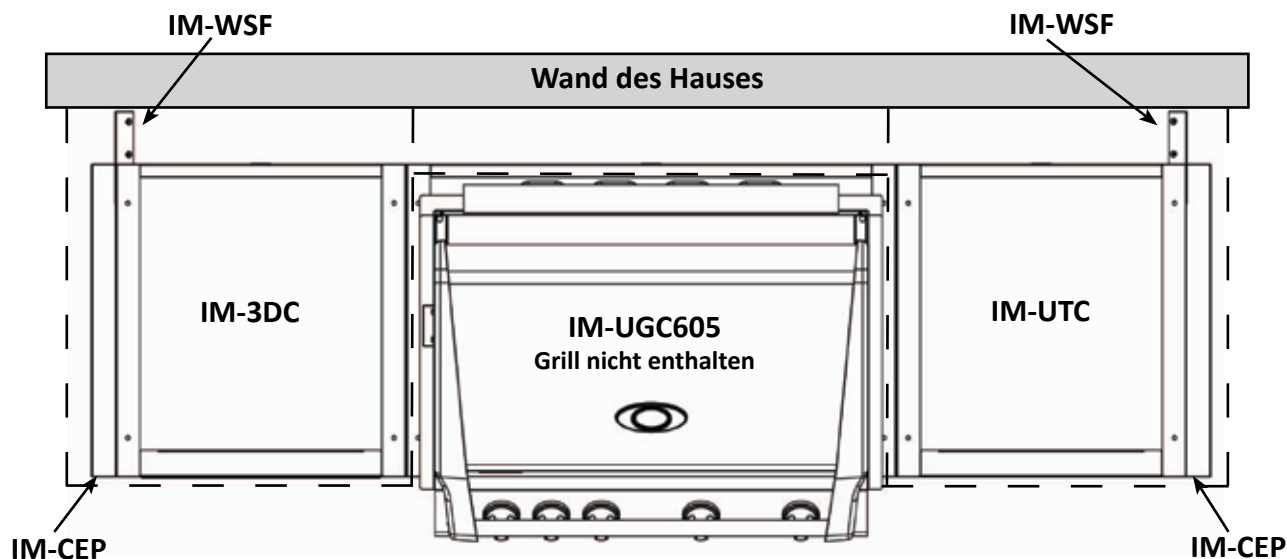
Sie können natürlich auch entsprechende keramische Arbeitsplatten verwenden, wenn diese Ihrer Umgebung mehr schmeicheln.



Beispiel 1: OASIS™ Outdoorküche mit Grill-Unterschrank IM-UGC605 und Grillaufsatz BILEX605RB-N an einer nicht brennbaren Wand



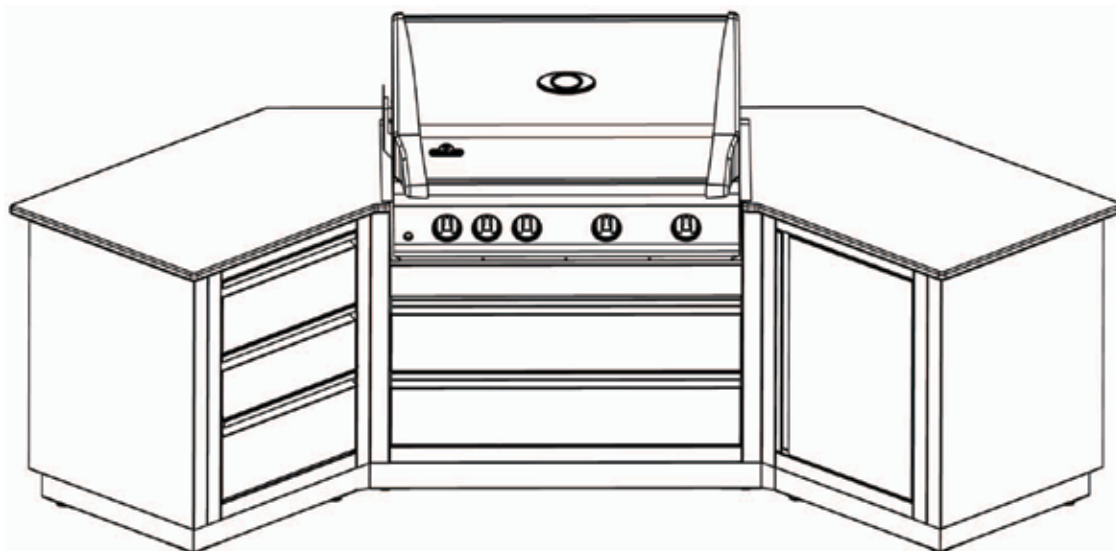
Das obige Beispiel zeigt die OASIS™ Outdoorküche mit einem IM-UGC605 Grillaufsatz an einer nicht brennbaren Wand. Die gestrichelte Linie im Bild darunter symbolisiert die Arbeitsplatte (nicht im Lieferumfang enthalten). Mithilfe von zwei IM-WSF Wandabstandshalter werden die Module so an der Wand fixiert, dass die Rollhaube bequem zu öffnen und zu schließen ist. Die Abstandshalter bieten NICHT genug Distanz, um den Grill an einer brennbaren Mauer zu montieren! Die Arbeitsplatte sollte den Spalt zur Wand hin schließen, um Schmutz oder Laub hinter den Modulen zu vermeiden. Außerdem sehen Sie ein IM-CEP End-Paneel, das die Öffnungen für Gas- und Wasserleitungen geschickt abdeckt und Ihrer OASIS™ Outdoorküche einen edlen Abschluss verleiht.



MODULE	DESCRIPTION	QTY	SUBSTITUTE	DESCRIPTION	QTY
* IM-UGC605-CN	UNDER UNIT CABINET 605	1			
* BILEX605RB-P	LEX 605 BUILTIN PROPANE	1			
IM-UDC-CN	SINGLE DOOR CABINET	1	IM-UTC-CN	PROPANE TANK CABINET	1
IM-3DC-CN	THREE DRAWER CABINET	1			
IM-CEP-CN	CABINET END PANEL	2			

***Sie können auch andere Grillaufsätze verwenden. Achten Sie darauf, dass Grillaufsatz und Grill-Unterschrank kombinierbar sind.**

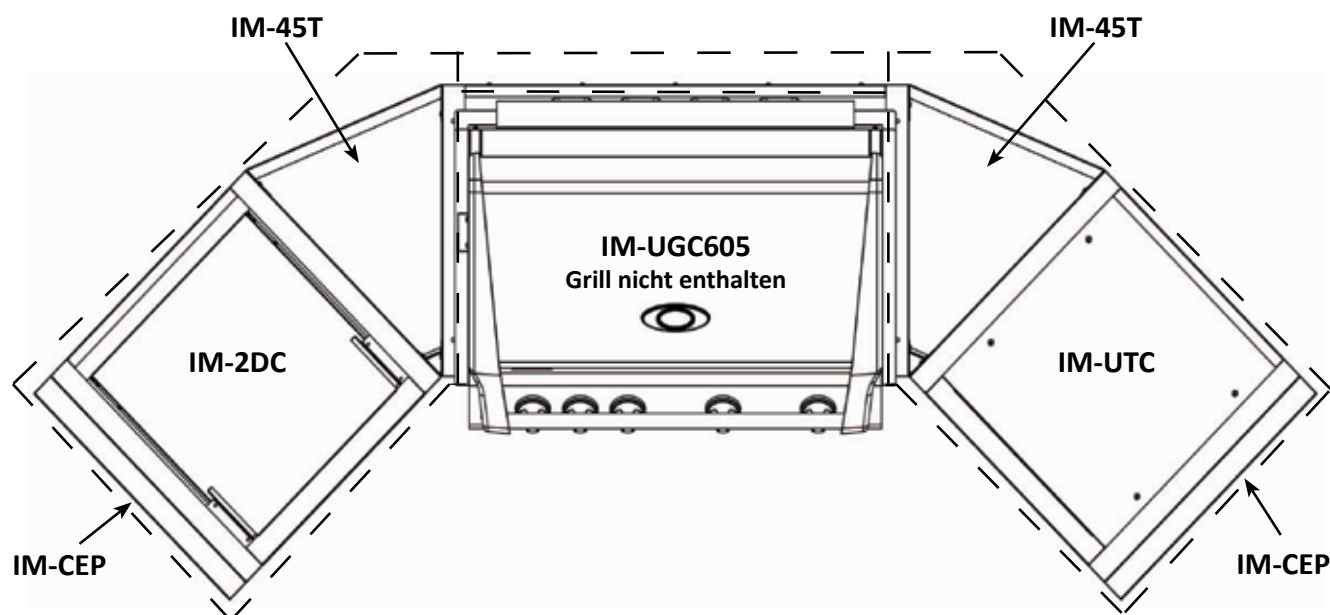
Beispiel 2: Abgewinkelte, freistehende OASIS™ Outdoorküche mit Grill-Unterschrank IM-UGC605 und Grillaufsatz BILEX605RB-P



DE

Das obige Beispiel zeigt eine freistehende und zweifach abgewinkelte OASIS™ Outdoorküche mit einem IM-UGC605 Grill-Unterschrank und einem Grillaufsatz BIM605RB-N.

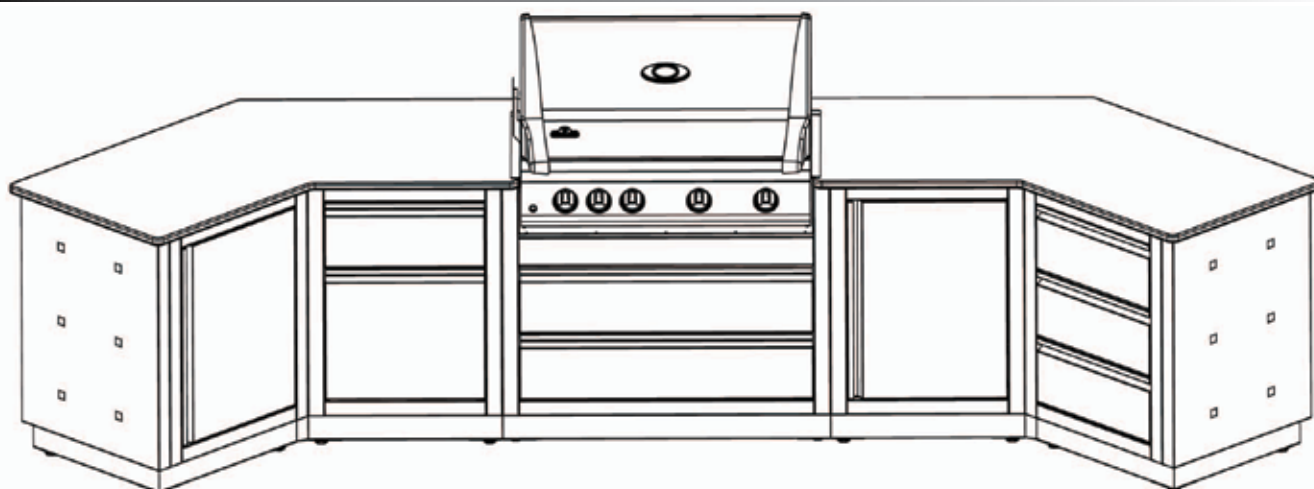
Die gestrichelte Linie im Bild darunter symbolisiert die Arbeitsplatte (nicht im Lieferumfang enthalten). Mithilfe der IM 45T Verbindung werden die beiden Seitenteile ganz einfach im 45° Winkel mit dem Grill-Unterschrank verbunden. Die IM-CEP End-Paneele verdecken die Öffnungen für Gas- und Wasserleitungen geschickt und verleihen Ihrer OASIS™ Outdoorküche ein edles Finish.



MODULE	DESCRIPTION	QTY	SUBSTITUTE	DESCRIPTION	QTY
* IM-UGC605-CN	UNDER UNIT CABINET 605	1			
* BILEX605RB-P	LEX 605 BUILTIN PROPANE	1			
IM-UDC-CN	SINGLE DOOR CABINET	1	IM-UTC-CN	PROPANE TANK CABINET	1
IM-2DC-CN	TWO DRAWER CABINET	1			
IM-45T-CN	45 DEGREE PANEL KIT	2			
IM-CEP-CN	CABINET END PANEL	2			

***Sie können auch andere Grillaufsätze verwenden. Achten Sie darauf, dass Grillaufsatz und Grill-Unterschrank kombinierbar sind.**

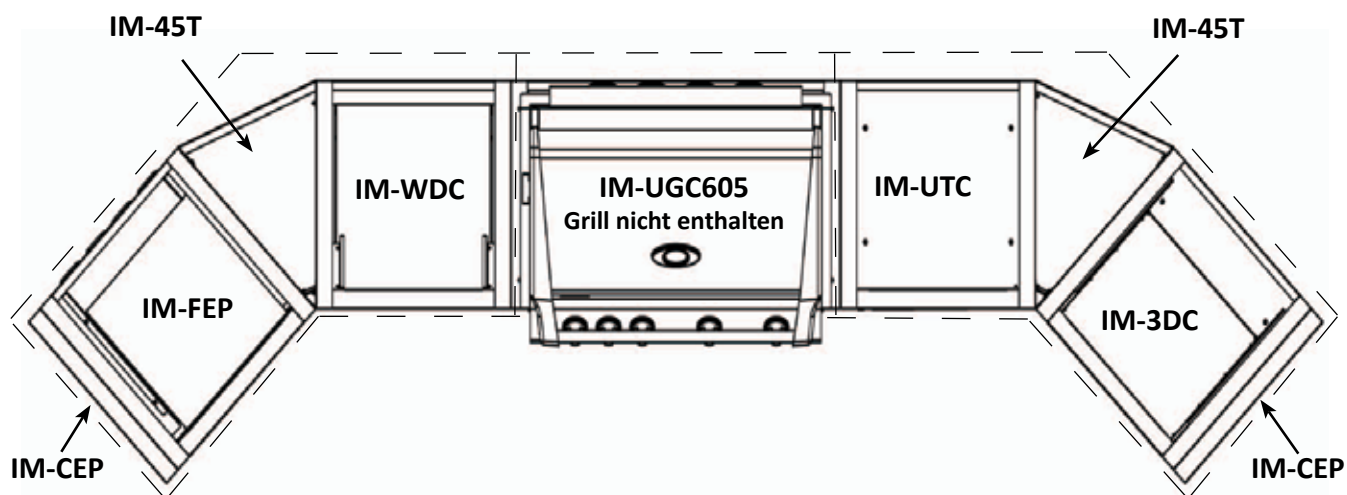
Beispiel 3: Abgewinkelte, freistehende OASIS™ Outdoorküche mit Grill-Unterschrank IM-UGC605 und Grillaufsatz BIM605RB-P



Das obige Beispiel zeigt eine freistehende und zweifach abgewinkelte OASIS™ Outdoorküche mit einem IM-UGC605 Grill-Unterschrank und einem Grillaufsatz BIM605RB-P.

Die gestrichelte Linie im Bild darunter symbolisiert die Arbeitsplatte (nicht im Lieferumfang enthalten). Sie schließt wiederum den Spalt zur Wand hin und verhindert so Ablagerungen oder Schmutz hinter dem Grill.

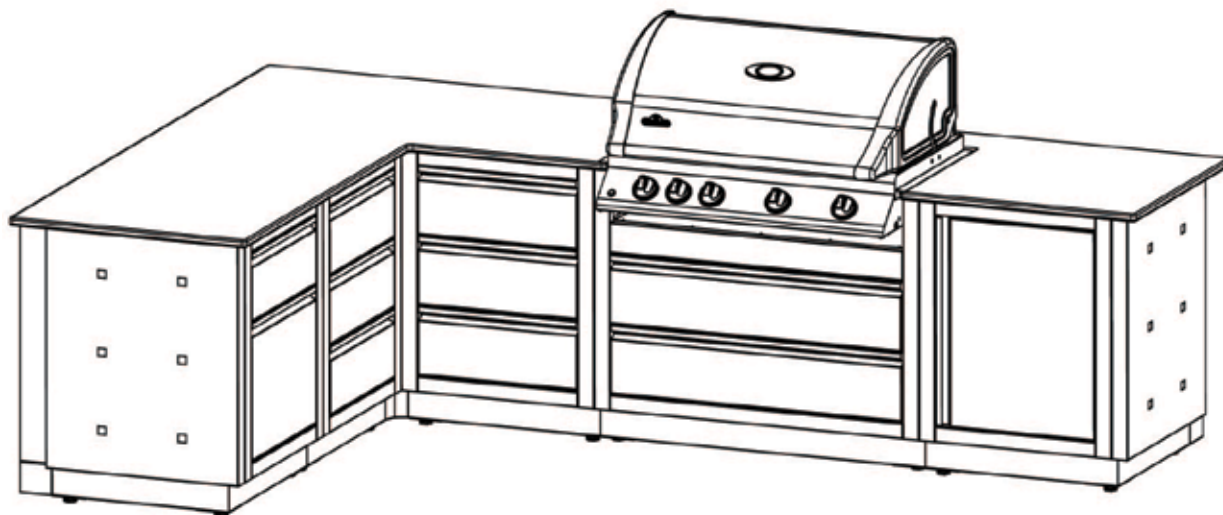
Mithilfe der IM 45T Verbindung werden die beiden Seitenteile ganz einfach im 45° Winkel mit dem Grill-Unterschrank verbunden. Die IM-CEP End-Paneele verdecken geschickt die Öffnungen für Gas- und Wasserleitungen und verleihen Ihrer OASIS™ Outdoorküche ein edles Finish.



MODULE	DESCRIPTION	QTY	SUBSTITUTE	DESCRIPTION	QTY
* IM-UGC605-CN	UNDER UNIT CABINET 605	1			
* BILEX605RB-P	LEX 605 BUILTIN PROPANE	1			
IM-UTC-CN	PROPANE TANK CABINET	1	IM-UDC-CN	SINGLE DOOR CABINET	1
IM-FEP-CN	FRIDGE CABINET END	1	IM-3DC-CN	THREE DRAWER CABINET	1
IM-3DC-CN	THREE DRAWER CABINET	1	IM-FEP-CN	FRIDGE CABINET END	1
IM-WDC-CN	WASTE DRAWER CABINET	1			
IM-45T-CN	45 DEGREE PANEL KIT	2			
IM-CEP-CN	CABINET END PANEL	2			

***Sie können auch andere Grillaufsätze verwenden. Achten Sie darauf, dass Grillaufsatz und Grill-Unterschrank kombinierbar sind. Napoleon model NFR055ORSS.**

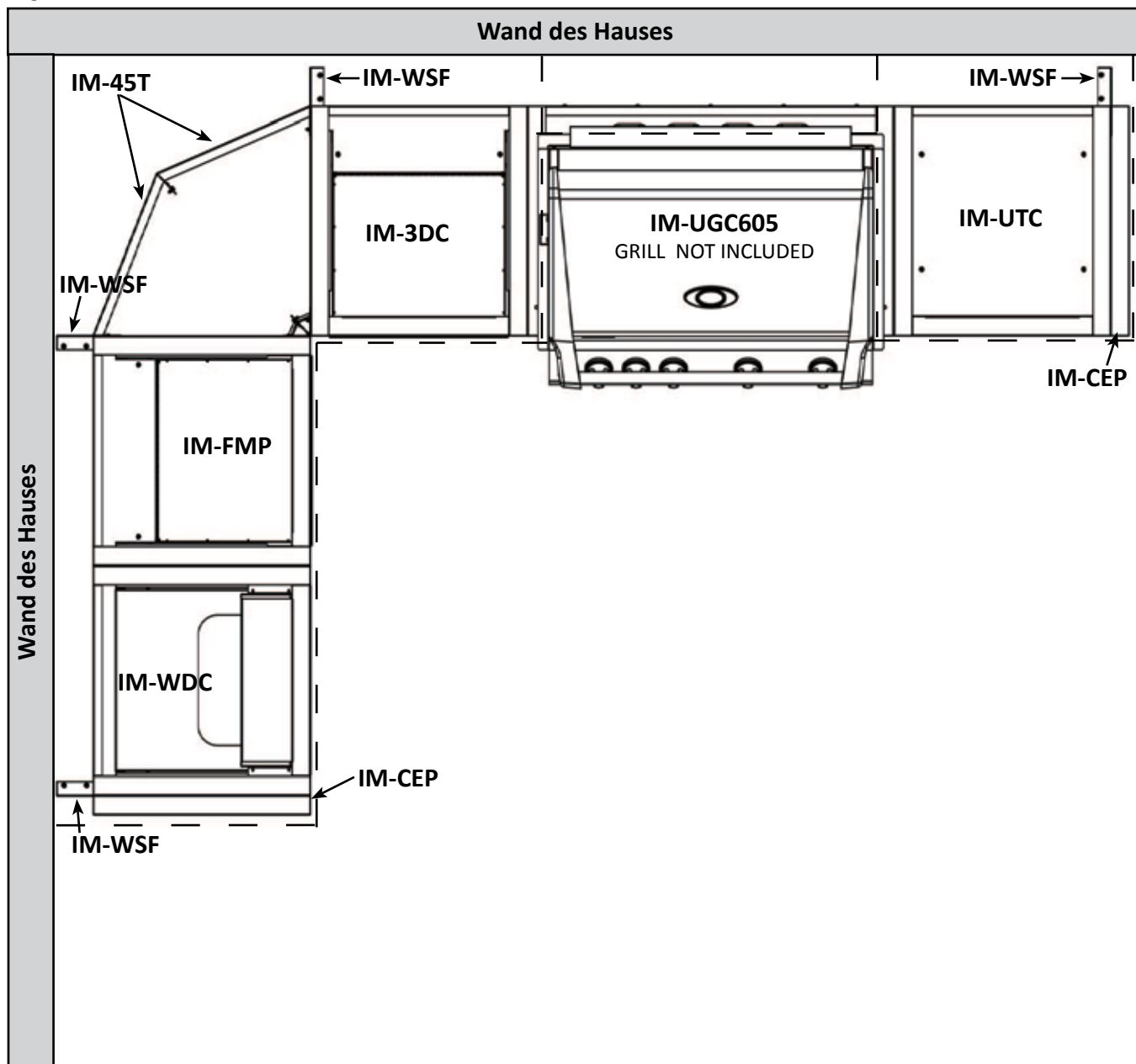
Beispiel 4: 90° abgewinkelte OASIS™ Outdoorküche mit Grill-Unterschrank IM-UGC605 und Grillaufsatz BIM605RB-P an nicht brennbarer Wand



DE

Das obige Beispiel zeigt eine freistehende und zweifach abgewinkelte OASIS™ Outdoorküche mit einem IM-UGC605 Grill-Unterschrank und einem Grillaufsatz BIM605RB-N. Die gestrichelte Linie im Bild darunter symbolisiert die Arbeitsplatte (nicht im Lieferumfang enthalten). Mithilfe von vier IM-WSF Wandabstandshalter werden die Module so an der Wand fixiert, dass die Rollhaube bequem zu öffnen und zu schließen ist. Die Abstandshalter bieten NICHT genug Distanz, um den Grill an einer brennbaren Mauer zu montieren! Die Arbeitsplatte sollte den Spalt zur Wand hin schließen, um Schmutz oder Laub hinter den Modulen zu vermeiden.

Mithilfe von zwei IM 45T Verbindungen werden zwei benachbarte Module ganz einfach im 90° Winkel miteinander verbunden. Die IM-CEP End-Panele verdecken die Öffnungen für Gas- und Wasserleitungen geschickt und verleihen Ihrer OASIS™ Outdoorküche ein edles Finish.

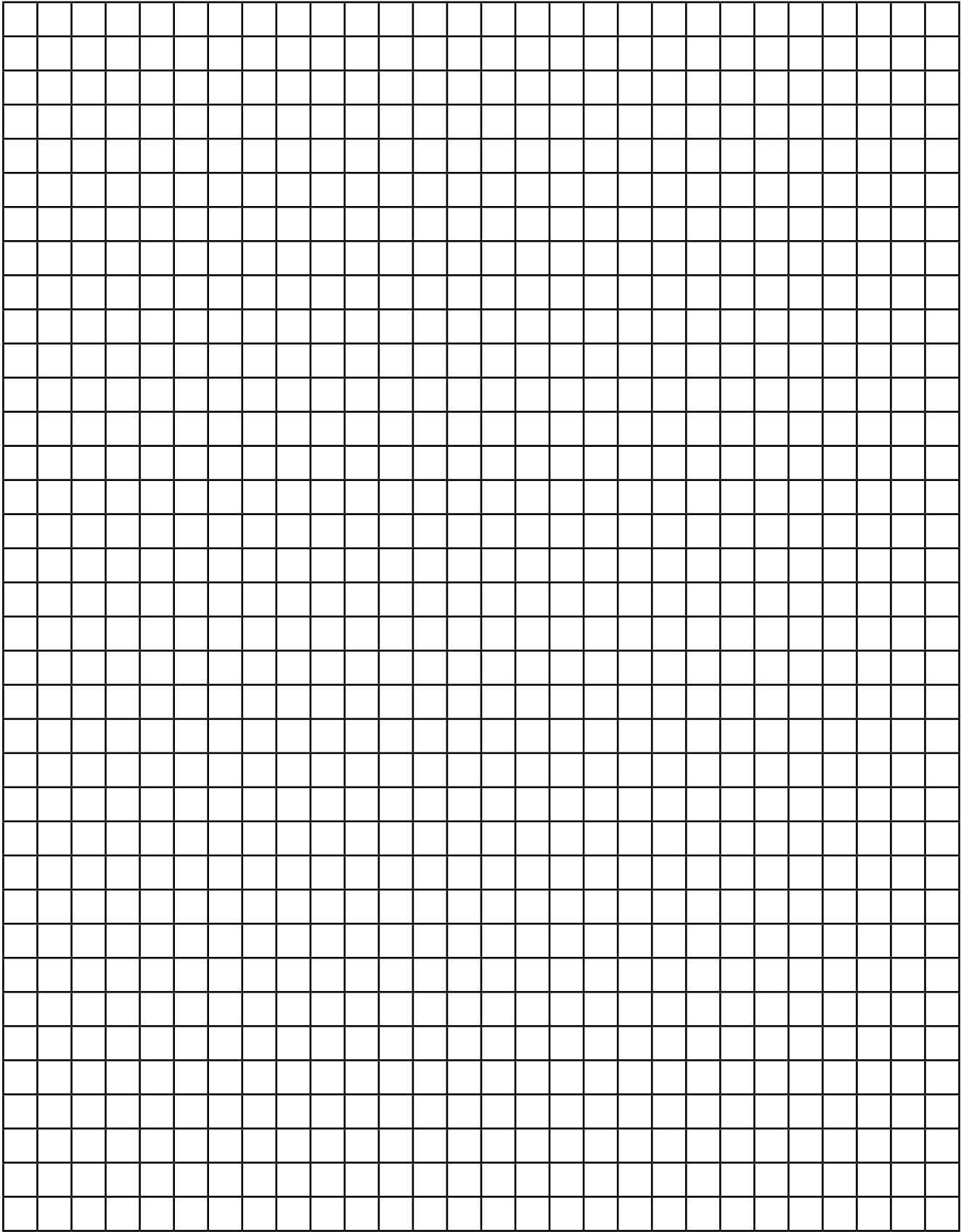


DE

MODULE	DESCRIPTION	QTY	SUBSTITUTE	DESCRIPTION	QTY
* IM-UGC605-CN	UNDER UNIT CABINET 605	1			
* BILEX605RB-P	LEX 605 BUILTIN PROPANE	1			
IM-3DC-CN	THREE DRAWER CABINET	1			
IM-FMP-CN	FRIDGE CABINET MIDDLE	1	IM-3DC-CN	THREE DRAWER CABINET	1
IM-UTC-CN	SINGLE DOOR CABINET	1	IM-UTC-CN	PROPANE TANK CABINET	1
IM-WDC-CN	WASTE DRAWER CABINET	1	IM-FEP-CN	FRIDGE CABINET END	1
IM-WSF-CN	WALL STANDOFF KIT	4			
IM-45T-CN	45 DEGREE PANEL KIT	2			
IM-CEP-CN	CABINET END PANEL	2			

***Sie können auch andere Grillaufsätze verwenden. Achten Sie darauf, dass Grillaufsatz und Grill-Unterschrank kombinierbar sind. Napoleon model NFR055ORSS.**

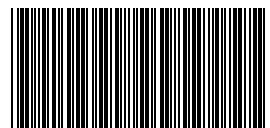
Planung Page



DE



Napoleon products are protected by one or more U.S. and Canadian and/or foreign patents or patents pending.
Les produits de Napoléon sont protégés par notre brevet d'invention dans les pays États Unis, Canada et international.



N415-0417