

**INSTALLER: THESE INSTRUCTIONS MUST BE CONVEYED TO AND REMAIN WITH THE HOMEOWNER.**



# INSTALLATION AND OPERATION INSTRUCTIONS

CERTIFIED UNDER CANADIAN AND AMERICAN NATIONAL STANDARDS: CSA 2.33, ANSI Z21.88 FOR VENTED GAS FIREPLACE HEATERS.

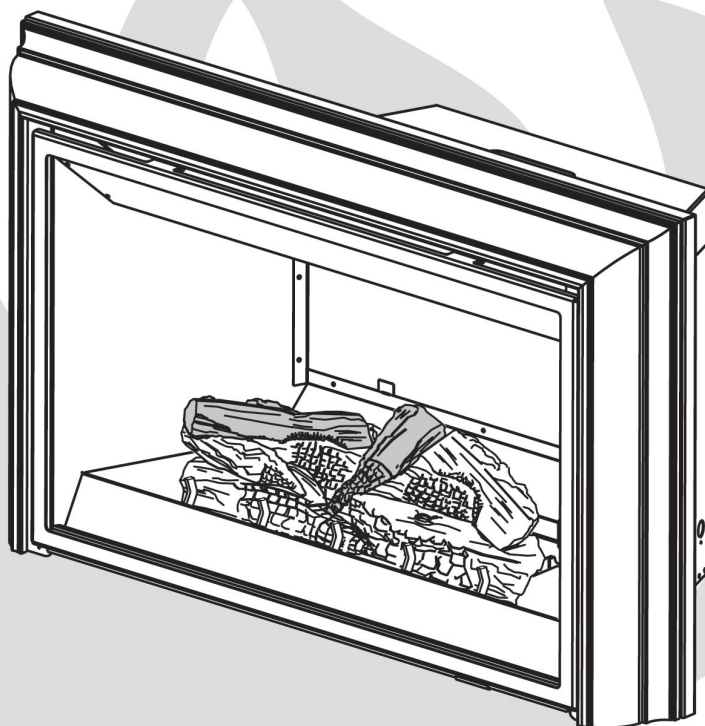
**If the information in these instructions is not followed exactly, a fire or explosion may result causing property damage, personal injury or death.**

## GDI-44N

NATURAL GAS

## GDI-44P

PROPANE



APPLY SERIAL NUMBER LABEL FROM CARTON



Serial No.    X X X X X 0 0 0 0 0 0  
MODEL NO.   

W415-0314 / D / 01.02.07

**Wolf Steel Ltd., 24 Napoleon Rd., Barrie, ON L4M 4Y8 Canada • (705)721-1212 • fax(705)722-6031  
www.napoleonfireplaces.com • ask@napoleon.on.ca**

# TABLE of CONTENTS

<b>Pg 2-4</b>	<b>INTRODUCTION</b> Warranty General Instructions General Information Care of Glass & Plated Parts	<b>Pg 9-10</b>	<b>OPERATION / MAINTENANCE</b> Operating Instructions Rear Burner Control Maintenance
<b>5-7</b>	<b>INSTALLATION</b> Insert Vent Connection Chimney Connection Gas Pipe Installation Wall Switch / Thermostat	<b>10</b>	<b>REPLACEMENT BLOWER</b>
<b>7-8</b>	<b>FINISHING</b> Trim Extrusion Installation Log Placement Ember Placement Door Installation Mantle Clearances	<b>11</b>	<b>ADJUSTMENTS</b> Pilot Burner Adjustment Vent Restrictions Venturi Adjustments
		<b>12-13</b>	<b>REPLACEMENTS</b> Ordering Replacement Parts Replacement Parts Terminal Kits Accessories
		<b>14-15</b>	<b>TROUBLE SHOOTING GUIDE</b>
		<b>16</b>	<b>SERVICE HISTORY</b>

## PLEASE RETAIN THIS MANUAL FOR FUTURE REFERENCE

**WARNING:** If the information in these instructions is not followed exactly, a fire or explosion may result causing property damage, personal injury or death.

### FOR YOUR SAFETY

Do not store or use gasoline or other flammable vapours and liquids in the vicinity of this or any other appliance.

### WHAT TO DO IF YOU SMELL GAS

- Do not try to light any appliance.
- Do not touch any electrical switch.
- Do not use any phone in your building.
- Immediately call your gas supplier from a neighbour's phone. Follow the gas supplier's instructions.
- If you cannot reach your gas supplier, call the fire department.

Installation and service must be performed by a qualified installer, service agency or the gas supplier.

## **WARNING**

- The fireplace insert is a vented gas-fired heater. Do not burn wood or other materials in this fireplace insert.
- Adults and especially children should be alerted to the hazards of high surface temperatures and should stay away to avoid burns or clothing ignition. Supervise young children when they are in the same room as the fireplace insert.
- Due to high temperatures, the fireplace insert should be located out of traffic and away from furniture and draperies.
- Clothing or other flammable material should not be placed on or near the fireplace insert.
- Any safety screen or guard removed for servicing must be replaced prior to operating the fireplace insert.
- It is imperative that the control compartments, burners and circulating blower and its passageway in the fireplace insert and venting system are kept clean. The fireplace insert and its venting system should be inspected before use and at least annually by a qualified service person. More frequent cleaning may be required due to excessive lint from carpeting, bedding material, etc. The fireplace insert area must be kept clear and free from combustible materials, gasoline and other flammable vapours and liquids.
- Under no circumstances should this fireplace insert be modified.
- This fireplace insert must not be connected to a chimney flue pipe serving a separate solid fuel burning appliance.
- Do not use this fireplace insert if any part has been under water. Immediately call a qualified service technician to inspect the fireplace insert and to replace any part of the control system and any gas control which has been under water.
- Do not operate the fireplace insert with the glass door opened, cracked or broken. Replacement of the glass should be done by a licensed or qualified service person.
- Do not strike or slam shut the fireplace insert glass door.
- This fireplace uses and requires a fast acting thermocouple. Replace only with a fast acting thermocouple supplied by Wolf Steel Ltd.

NOTE: changes, other than editorial, are denoted by a vertical line in the margin.

W415-0314/D/01.02.07

*NAPOLEON gas fireplaces are manufactured under the strict Standard of the world recognized ISO 9001:2000 Quality Assurance Certificate.*

*NAPOLEON products are designed with superior components and materials, assembled by trained craftsmen who take great pride in their work. The burner and valve assembly are leak and test-fired at a quality test station. The complete fireplace is thoroughly inspected by a qualified technician before packaging to ensure that you, the customer, receives the quality product that you expect from NAPOLEON.*

## **NAPOLEON GAS FIREPLACE PRESIDENT'S LIFETIME LIMITED WARRANTY**

***The following materials and workmanship in your new NAPOLEON gas fireplace are warranted against defects for as long as you own the fireplace. This covers: combustion chamber, heat exchanger, stainless steel burner, phazer™ logs and embers, ceramic glass (thermal breakage only), gold plated parts against tarnishing, porcelainized enamelled components and aluminum extrusion trims.***

***Electrical (110V and millivolt) components and wearable parts such as blowers, gas valves, thermal switch, switches, wiring, remote controls, ignitor, gasketing, and pilot assembly are covered and NAPOLEON will provide replacement parts free of charge during the first year of the limited warranty.***

***Labour related to warranty repair is covered free of charge during the first year. Repair work, however, requires the prior approval of an authorized company official. Labour costs to the account of NAPOLEON are based on a predetermined rate schedule and any repair work must be done through an authorized NAPOLEON dealer.***

## **CONDITIONS AND LIMITATIONS**

NAPOLEON warrants its products against manufacturing defects to the original purchaser only -- i.e., the individual or legal entity (registered customer) whose name appears on the warranty registration card filed with NAPOLEON -- provided that the purchase was made through an authorized NAPOLEON dealer and is subject to the following conditions and limitations:

This factory warranty is nontransferable and may not be extended whatsoever by any of our representatives.

The gas fireplace must be installed by a licenced, authorized service technician or contractor. Installation must be done in accordance with the installation instructions included with the product and all local and national building and fire codes.

This limited warranty does not cover damages caused by misuse, lack of maintenance, accident, alterations, abuse or neglect and parts installed from other manufacturers will nullify this warranty.

This limited warranty further does not cover any scratches, dents, corrosion or discolouring caused by excessive heat, abrasive and chemical cleaners nor chipping on porcelain enamel parts, mechanical breakage of PHAZER™ logs and embers, nor any venting components used in the installation of the fireplace.

NAPOLEON warrants its stainless steel burners against defects in workmanship and material for life, subject to the following conditions: During the first 10 years NAPOLEON will replace or repair the defective parts at our option free of charge. From 10 years to life, NAPOLEON will provide replacement burners at 50% of the current retail price.

In the first year only, this warranty extends to the repair or replacement of warranted parts which are defective in material or workmanship provided that the product has been operated in accordance with the operation instructions and under normal conditions.

After the first year, with respect to this President's Limited Lifetime Warranty, NAPOLEON may, at its discretion, fully discharge all obligations with respect to this warranty by refunding to the original warranted purchaser the wholesale price of any warranted but defective part(s).

After the first year, NAPOLEON will not be responsible for installation, labour or any other costs or expenses related to the reinstallation of a warranted part, and such expenses are not covered by this warranty.

Notwithstanding any provisions contained in this President's Limited Lifetime Warranty, NAPOLEON'S responsibility under this warranty is defined as above and it shall not in any event extend to any incidental, consequential or indirect damages.

This warranty defines the obligations and liability of NAPOLEON with respect to the NAPOLEON gas fireplace and any other warranties expressed or implied with respect to this product, its components or accessories are excluded.

NAPOLEON neither assumes, nor authorizes any third party to assume, on its behalf, any other liabilities with respect to the sale of this product. NAPOLEON will not be responsible for: over-firing, downdrafts, spillage caused by environmental conditions such as rooftops, buildings, nearby trees, hills, mountains, inadequate vents or ventilation, excessive venting configurations, insufficient makeup air, or negative air pressures which may or may not be caused by mechanical systems such as exhaust fans, furnaces, clothes dryers, etc.

Any damages to fireplace, combustion chamber, heat exchanger, brass trim or other component due to water, weather damage, long periods of dampness, condensation, damaging chemicals or cleaners will not be the responsibility of NAPOLEON.

The bill of sale or copy will be required together with a serial number and a model number when making any warranty claims from your authorized dealer. The warranty registration card must be returned within fourteen days to register the warranty.

NAPOLEON reserves the right to have its representative inspect any product or part thereof prior to honouring any warranty claim.

## GENERAL INSTRUCTIONS

*THIS GAS FIREPLACE INSERT SHOULD BE INSTALLED AND SERVICED BY A QUALIFIED INSTALLER* to conform with local codes. Installation practices vary from region to region and it is important to know the specifics that apply to your area,

for example: in *Massachusetts State*:

- The fireplace damper must be removed or welded in the open position prior to installation of a fireplace insert or gas log.
- The appliance off valve must be a "T" handle gas cock.
- The flexible connector must not be longer than 36 inches.
- The appliance is not approved for installation in a bedroom or bathroom unless the unit is a direct vent sealed combustion product.
- **WARNING:** This product must be installed by a licensed plumber or gas fitter when installed within the commonwealth of Massachusetts.

In absence of local codes, install to the current CAN1-B149 Installation Code in Canada or to the National Fuel Gas Code, ANSI Z223.1, and NFPA 54 in the United States. Mobile home installation must conform with local codes or in the absence of local codes, install to the current standard for gas equipped mobile housing CAN/CSA Z240 MH Series in Canada or ANSI Z223.1 and NFPA 54 in the United States.

***Purge all gas lines with the glass door of the fireplace insert opened. Assure that a continuous gas flow is at the burner before closing the door.***

***Under extreme vent configurations, allow several minutes (5-15) for the flame to stabilize after ignition.***

***Objects placed in front of the fireplace must be kept a minimum of 48" away from the front face of the unit.***

The fireplace insert and its individual shutoff valve must be disconnected from the gas supply piping system during any pressure testing of that system at test pressures in excess of 1/2 psig (3.5 kPa). The fireplace insert must be isolated from the gas supply piping system by closing its individual manual shutoff valve during any pressure testing of the gas supply piping system at test pressures equal to or less than 1/2 psig (3.5 kPa).

A 1/8 inch NPT plug, accessible for test gauge connection, must be installed immediately upstream of the gas supply connection to the fireplace insert.

The fireplace insert must be electrically connected and grounded in accordance with local codes. In the absence of local codes, use the current CSA C22.1 CANADIAN ELECTRICAL CODE in Canada or the ANSI/NFPA 70 NATIONAL ELECTRICAL CODE in the United States. The blower power cord must be connected into a properly grounded receptacle. The grounding prong must not be removed from the cord plug.

## GENERAL INFORMATION

***FOR YOUR SATISFACTION, THIS FIREPLACE INSERT HAS BEEN TEST-FIRED TO ASSURE ITS OPERATION AND QUALITY!***

Minimum inlet gas supply pressure is 4.5 inches water column for natural gas and 11 inches water column for propane. Maximum inlet gas pressure is 7 inches water column for natural gas and 13 inches water column for propane. Manifold pressure under flow conditions is 3.5 inches water column for natural gas and 10 inches water column for propane. When the fireplace is installed at elevations above 4,500ft, and in the absence of specific recommendations from the local authority having jurisdiction, the certified high altitude input rating shall be reduced at the rate of 4% for each additional 1,000ft.

Expansion / contraction noises during heating up and cooling down cycles are normal and to be expected.

Maximum input is 40,000 BTU/hr for natural gas and propane. In order to achieve maximum turn down rate, the rear burner must be turned off. See **Operating Instructions** in the owner's manual for more information.

Maximum output for natural gas and propane is 27,600 BTU/hr at an efficiency of 69% with the fan on.

This fireplace insert is not approved for closet or recessed installations. It is approved for bathroom, bedroom and bed-sitting room installations and is suitable for mobile homes. The natural gas model is suitable for installation in a mobile home that is permanently positioned on its site and fuelled with natural gas.

This insert must be recessed into a vented noncombustible wood-burning fireplace (prefabricated or masonry) only. The minimum fireplace opening size in which the heater is to be installed is:

**HEIGHT 21 inches WIDTH 32 inches DEPTH 16 inches**  
**The minimum allowable chimney flue size is 7" round.**

The minimum distance, from the bottom of a combustible mantle projecting 3" maximum from the wall to the top of the aluminium trim, is 12". A hearth must protrude a minimum of 12" from the unit.

## CARE OF GLASS, AND PLATED PARTS

Do not use abrasive cleaners to clean these parts. Buff lightly with a clean dry cloth.

The glass is 3/16" ceramic glass available from your Napoleon / Wolf Steel Ltd. dealer. **DO NOT SUBSTITUTE MATERIALS.** Clean the glass after the first 10 hours of operation with a recommended gas fireplace glass cleaner. Thereafter clean as required. **DO NOT CLEAN GLASS WHEN HOT!** If the glass is not kept clean permanent discoloration and / or blemishes may result.

# INSTALLATION

**Provide adequate ventilation air.**

**Provide adequate accessibility clearance for servicing and operating the fireplace insert.**

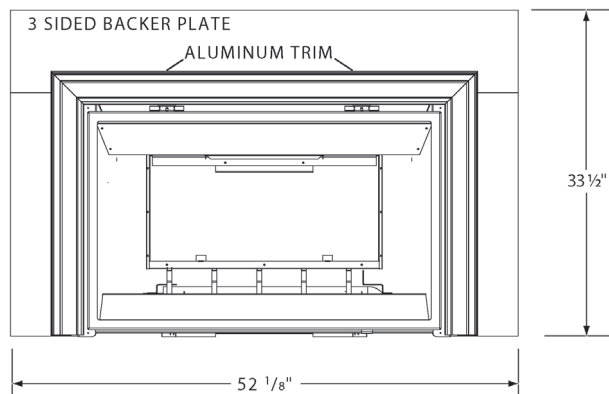
**Never obstruct the front opening of the fireplace insert.**

**Objects placed in front of the fireplace must be kept a minimum of 48" away from the front face of the unit.**

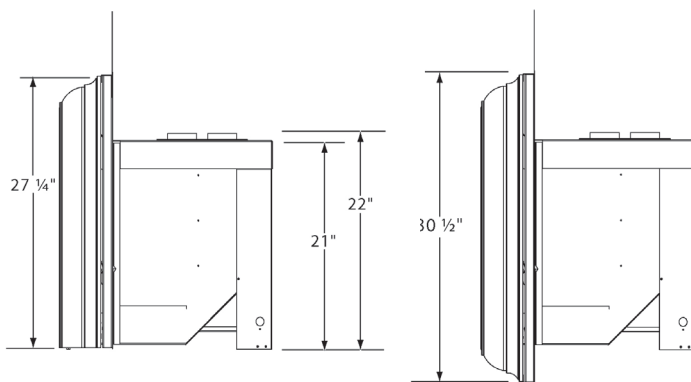
Clean out ashes from the inside of the wood-burning fireplace. Make sure that the chimney and wood-burning fireplace are in a clean and sound condition and constructed of non-combustible materials. If necessary have any repair work done by a qualified person before installing the insert. Remove the existing fireplace damper or lock into an open position.

Using screws, attach the fireplace warning tag (W385-0199) to the inside of the firebox of the fireplace into which the insert is being installed.

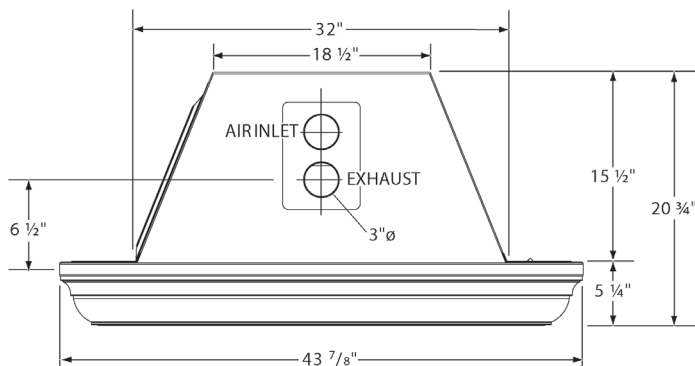
**FIGURE 1a-c**



**3 SIDED BACKER PLATE - FRONT VIEW**



**3 & 4 SIDED BACKER PLATES - SIDE VIEWS**



**GDI-44 - TOP VIEW**

**WARNING:** THIS FIREPLACE HAS BEEN CONVERTED FOR USE WITH A GAS FIREPLACE INSERT ONLY AND CANNOT BE USED FOR BURNING WOOD OR SOLID FUELS UNLESS ALL ORIGINAL PARTS HAVE BEEN REPLACED AND THE FIREPLACE IS RE-APPROVED BY THE AUTHORITY HAVING JURISDICTION.

**ATTENTION:** CE FOYER A ETE CONVERTI AFIN D'ETRE UTILISE SEULEMENT COMME FOYER ENCASTRE AU GAZ ET NE PEUT ETRE UTILISE POUR BRULER DU BOIS OU TOUT AUTRE COMBUSTIBLE SOLIDE, SANS QUE TOUTES LES PIECES ORIGINALES AIENT ETE REMPLACEES ET QUE LE FOYER SOIT APPROUVE DE NOUVEAU PAR LES AUTORITES AYANT JURISDICTION.

W385-0199

**The sheet-metal parts of the fireplace, in which the gas fireplace insert is to be installed, must not be cut.**

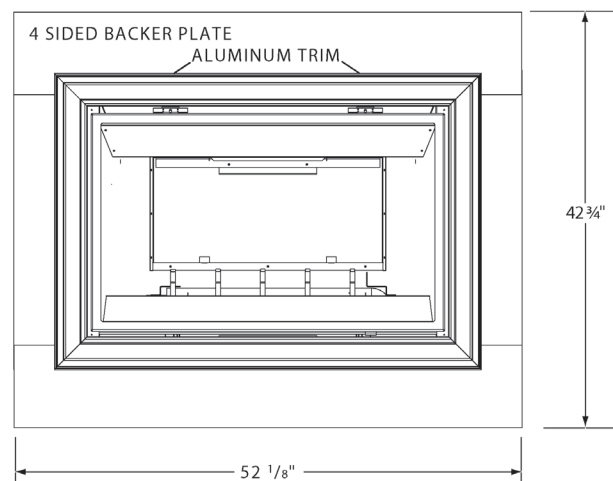
**If the wood-burning factory-built fireplace has no gas access hole(s) provided, an access hole of 1½ inch or less may be drilled through the lower sides or bottom of the fireplace in a proper workman like manner. This access hole must be plugged with non-combustible insulation after the gas supply line has been installed.**

**Ensure that existing chimney cleanouts fit properly.**

**The refractory, glass doors, screen rails, screen mesh and log grates may be removed from the fireplace before installing the gas fireplace insert.**

**Smoke shelves, shields and baffles may be removed if attached by mechanical fasteners.**

**The ventilation openings in the fireplace may be obstructed by the backer plates, aluminium trim etc. but these parts are not to be applied so as to have an airtight seal.**



**4 SIDED BACKER PLATE - FRONT VIEW**

## INSERT VENT CONNECTION

Move the insert close to its final position inside the wood-burning fireplace. This unit is equipped with 6 levelling screws located as follows: two are on either side of the circulation blower on the rear panel; four are located front and back on either side beneath the log support. Level using four of the levelling screws. **See Figure 1a.** Levelling the unit will eliminate rocking or excessive noise when the fan is in operation. Once the unit is level, move it partially into place within the fireplace to allow for all connections to be made. *It is not practical to level the insert once it has been installed. Determine the required depth prior to installing the unit and adjust the four levelling screws accordingly.*

## CHIMNEY CONNECTION

Chimney installation must conform to both national and local code requirements. The chimney must be lined with one 2" or 3" diameter liner for intake and one 3" diameter liner for exhaust. The minimum and maximum vent lengths are 10 and 35 feet respectively. Recommended Napoleon kits come in 3 lengths:

<b>1-2" &amp; 1-3" DOUBLE PLY ALUMINUM LINER-INLET AND EXHAUST &amp; 2-3" TO 2" REDUCER:</b>	
GDI-2320KT	VENT KIT 20FT
GDI-2325KT	VENT KIT 25FT
GDI-2335KT	VENT KIT 35FT
<b>2-3" DOUBLE PLY ALUMINUM LINER-INLET AND EXHAUST:</b>	
GDI-320KT	VENT KIT 20FT
GDI-325KT	VENT KIT 25 FT
GDI-335KT	VENT KIT 35 FT

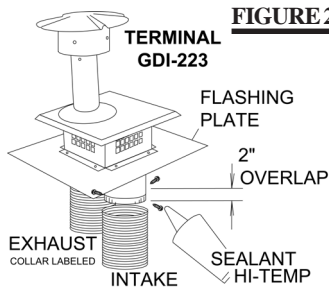
While the liners must be continuous from the fireplace to the chimney cap, to achieve the needed length, they may be coupled, using an aluminium coupler, provided installation is sealed & secured.

*We recommend that exhaust vents that pass through unheated spaces, such as a garage or attic, be wrapped in a protective sleeve to minimize condensation and reverse flow symptoms.*

*This unit is approved for use with a 2" liner for air intake and a 3" liner for exhaust. For best performance, however, it is recommended to use two 3" liners.*

*If a 2" liner is used for the intake, it is necessary to adjust the primary air shutter. See "Air Shutter Settings".*

**1. OUTSIDE:** Slip the one end of a liner a minimum of 2" over the collar of the air terminal. Secure using 3 screws. Then seal the joint and screw heads with high temperature sealant. Repeat with the other liner to the exhaust collar of the terminal.



**FIGURE 2**



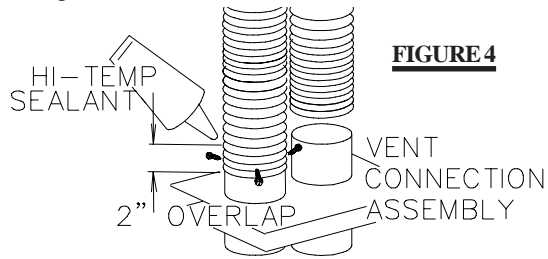
**FIGURE 3**

**NOTE:** Connect the supplied 3' of stainless steel flexliner to the exhaust liner (already attached to the terminal) using the coupler (also supplied). Secure and seal before dropping down the chimney.

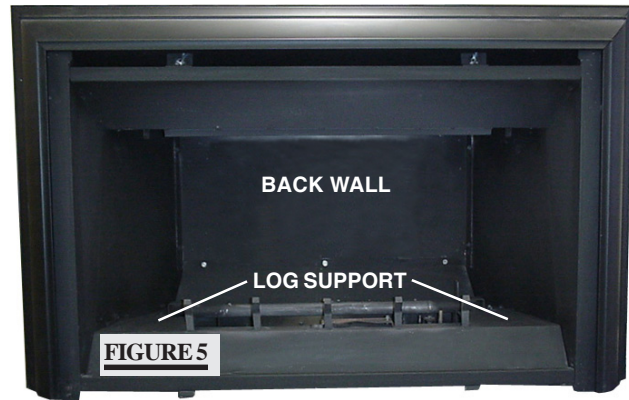
2. Gently stretch the liners to the required lengths and insert into the chimney. Place the terminal onto the top of the chimney cap and fit the flashing plate to suit. Make weather tight by sealing with caulking (not supplied) and fasten to the chimney with screws and plugs (not supplied).

**3. NOTE:** If there is not enough ceiling height between the fireplace and the insert to allow the flexliner connection on the top of the unit to be made, proceed to step 4.

If there is enough ceiling height, connect the 3" stainless steel flexliner to the exhaust collar closest to the top front on the unit. **See figure 1c.** Connect the intake flexliner to the remaining rear collar. Secure and seal.



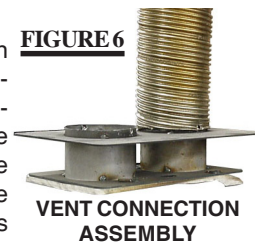
**FIGURE 4**



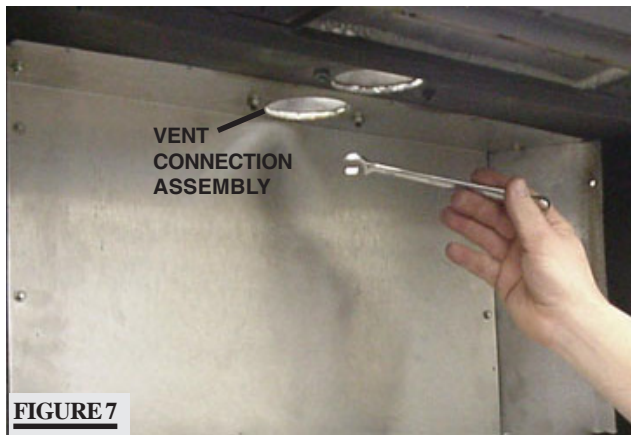
**4.** Both the log support and the back wall must be removed in order to gain access to the vent connection assembly. Both the back wall and log support are detached by removing the 12 perimeter screws of the back wall and the 3 screws located at the back of the log support. Remove the vent connection assembly.

**NOTE:** The vent connection assembly collars are not specific until the stainless steel flexliner has been attached to one side. This now designates the side as exhaust. The exhaust collar must be positioned closest to the front opening of the insert. **SEE FIGURE 1c.** Secure and seal the flexliners.

**5.** To reinstall the vent connection assembly, reach in through the insert and manoeuvre the vent connection assembly through the opening in the firebox top. Take care not to damage the gasket. Secure the assembly using the four studs and 1/4-20 hex nuts.



**FIGURE 6**

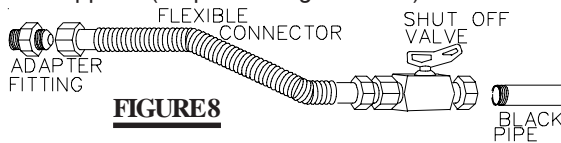


**FIGURE 7**

6. Reinstall the back wall, followed by the log support, using the perimeter screws removed in step 4.

### GAS INSTALLATION

Install suitable supply piping connection to the  $\frac{3}{8}$ " flex connector supplied (as per local gas codes).



**FIGURE 8**

## FINISHING

In order to close off the fireplace opening or if the opening is larger than the 3- or 4-sided aluminium extrusion trim kits, it is recommended to reduce the opening using a noncombustible material such as ceramic tile, marble, etc or the **GDIBP3** or **GDIBP4** backer plate kits. The **GDIBP3** backer plate is able to fit an opening of 52" x 33½". The **GDIBP4** backer plate is able to fit an opening of 52" x 42¾". The outside edge of the backer plate is finished off with gold trim included in each kit. A **GDIBP3D** 3 sided deluxe backer plate complete with marquis trim may also be used to complete the installation. This kit is able to fit an opening of 57" x 33½". Detailed installation instructions are included with each kit.

If this unit is being installed into an existing wood burning, zero clearance fireplace, then be aware of this precaution: **Any circulation air opening may be covered (with material) but not sealed!**

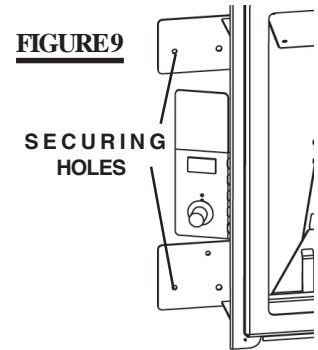
### ALUMINIUM EXTRUSION TRIM KIT INSTALLATION

The insert can be equipped with either a 3- or 4-sided trim kit to finish off the fireplace opening. Slide the trim assembly over the keyholes (2 per side) and drop into place. *If installing the optional 3- or 4-sided backer plate (**GDIBP3** or **GDIBP4**), it must be hung prior to the trim kit installation using the same keyholes.*



**FIGURE 11**

The insert may now be pushed into its final position inside the wood-burning fireplace. Secure the insert to the fireplace using perforated strapping attached to the two securing holes on either side of the unit as shown. *We recommend that the trim be installed before the unit is placed into its final position.*



**FIGURE 9**

**SECURING HOLES**

### WALL SWITCH / THERMOSTAT

For ease of accessibility, an optional remote wall switch or millivolt thermostat may be installed in a convenient location. Route 2-strand solid core millivolt wire from the gas fireplace insert to the wall switch / millivolt thermostat. The recommended maximum lead length depends on the wire size:

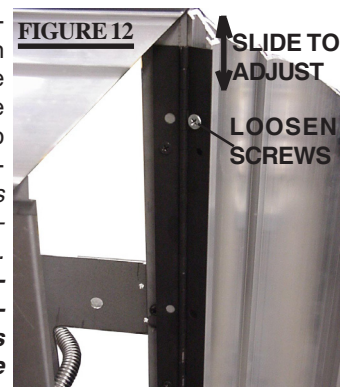
WIRE SIZE	MAX. LENGTH
14gauge	100 feet
16gauge	60 feet
18gauge	40 feet

**Do not connect either the wall switch, thermostat or gas valve to electricity (110 VOLTS).**



**FIGURE 10**

To adjust the trim: If the mitre is out of alignment, open each side and loosen the two screws at either side trim hinge. Slide the trim up or down to adjust and retighten screws. *There is also a very slight in/out adjustment that can be made.* **Note: Since the side panels open and close, to access the controls, a gap is necessary at the mitre joint.**



**FIGURE 12**

The top trim piece has an adjustable securing bracket which enables the trim to be secured to the firebox shell.



**FIGURE 13**

## LOG PLACEMENT

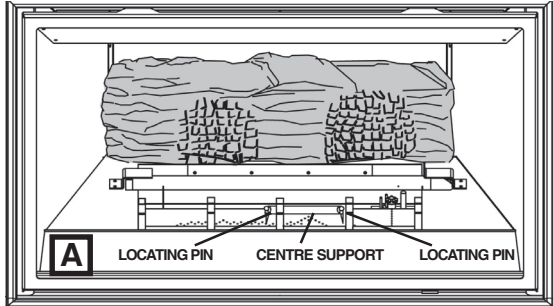
**PHAZER™** logs, exclusive to Napoleon Fireplaces, provide a unique and realistic glowing effect that is different in every installation. Use only certified **PHAZER™** logs available from your Napoleon / Wolf Steel Ltd. dealer.

**POSITIONING THE LOGS IMPROPERLY WILL CAUSE FLAME IMPINGEMENT AND CARBONING.**

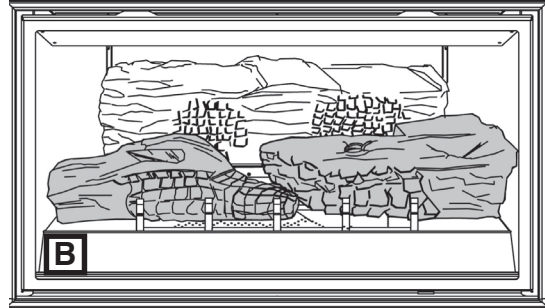
Position the logs as shown. All logs are numbered.



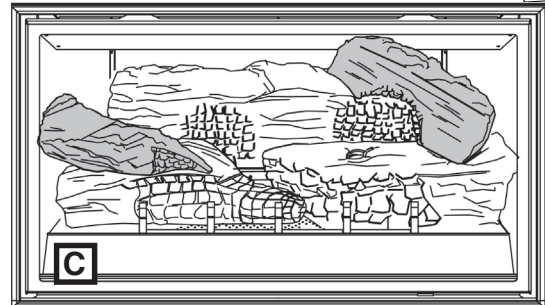
FIGURE 14a-d



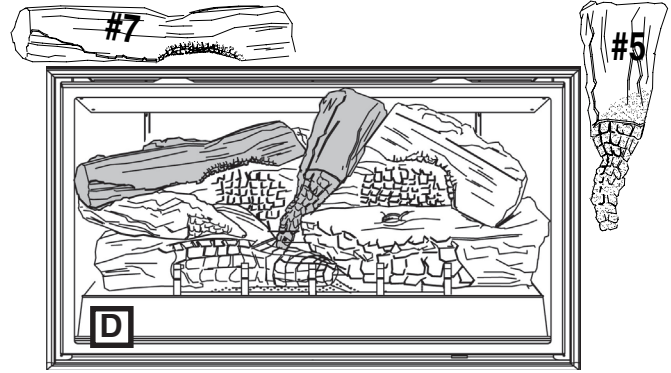
The rear log should be centred on the log support and rest against the rear wall.



Log #3 rests against the far left grate post and onto the locating pin on the centre support. Log #2 rests against the far right grate post and over the locating pin on the centre support and against the tip of log #3. **NOTE: Skewering log #2 onto the locating pin may be necessary.**



Log #6 has a leg that fits into an indentation on the top of log #3. Log #4 rests in the indentations on the tops of logs #2 and #1.



Logs #5 and #7 fit onto the indentations of the lower logs.

## GLOWING EMBERS

Tear the embers into pieces and place along the front row of ports covering all of the burner area in front of logs (#2 & #3). Care should be taken to shred the embers into thin, small irregular pieces as only the exposed edges of the fibre hairs will glow. **The ember material will only glow when exposed to direct flame; however, care should be taken to not block the burner ports.**

Blocked burner ports can cause an incorrect flame pattern, carbon deposits and delayed ignition. **PHAZER™** logs glow when exposed to direct flame. Use only certified "glowing embers" and **PHAZER™** logs available from your Napoleon dealer.

## DOOR INSTALLATION

Place the door into the two lower door brackets and secure at the top of the unit with two #10-24 screws.

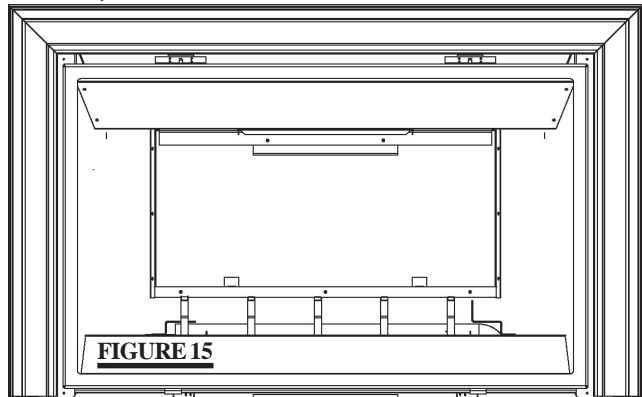


FIGURE 15

## LOWER DOOR BRACKETS

## MANTLE CLEARANCE

This can vary according to the mantle depth. Use the graph to help evaluate the clearance needed.

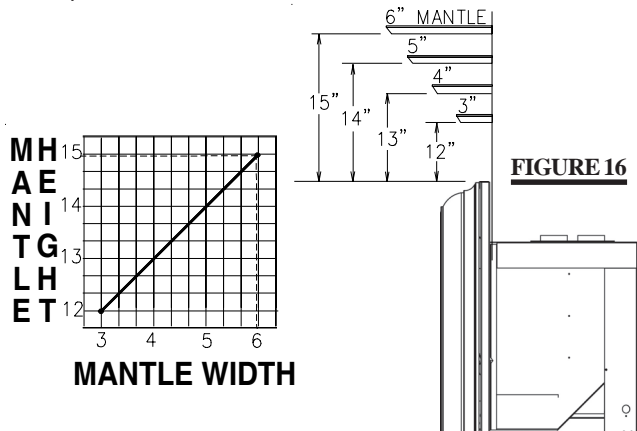


FIGURE 16



## OPERATION / MAINTENANCE

### OPERATING INSTRUCTIONS

Purge all gas lines with the glass door open. Assure that a continuous gas flow is at the burner before closing the door. Allow several minutes (5-15) for the flame to stabilize after ignition.

**Do not operate the main burner of the insert with the door removed.**

When lit for the first time, the fireplace will emit a slight odour for a few hours. This is a normal temporary condition caused by the "burn-in" of paints and lubricants used in the manufacturing process and will not occur again. Simply open a window to sufficiently ventilate the room. After extended periods of non-operation such as following a vacation or a warm weather season, the fireplace may emit a slight odour for a few hours. This is caused by dust particles in the heat exchanger burning off. Open a window to sufficiently ventilate the room.

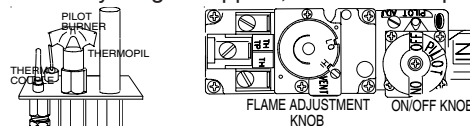
**PURGE THE GAS LINE WITH THE GLASS DOOR OPEN.**

### FOR YOUR SAFETY READ BEFORE LIGHTING:

- A. This fireplace is equipped with a pilot which must be lit by hand. While following these instructions exactly.
- B. Before operating smell all around the fireplace area for gas and next to the floor because some gas is heavier than air and will settle on the floor.
- C. Use only your hand to turn the gas control knob. Never use tools. If the knob will not turn by hand, do not try to repair it. Call a qualified service technician. Force or attempted repair may result in a fire or explosion.
- D. Do not use this fireplace if any part has been under water. Immediately call a qualified service technician to inspect the fireplace and replace any part of the control system and any gas control which has been under water.

### WHAT TO DO IF YOU SMELL GAS:

- Turn off all gas to the fireplace.
- Open windows.
- Do not try to light any appliance.
- Do not touch any electric switch; do not use any phone in your building.
- Immediately call your gas supplier from a neighbour's phone. Follow the gas supplier's instructions.
- If you cannot reach your gas supplier, call the fire department.



### LIGHTING INSTRUCTIONS

When lighting and re-lighting, the gas knob cannot be turned from pilot to off unless the knob is **depressed slightly**.

1. **Stop!** Read the above safety information on this label.
2. **Turn** off all electric power to the fireplace.
3. **Turn** the gas knob clockwise to off.
4. **Wait** five (5) minutes to clear out any gas. If you smell gas including near the floor. Stop! Follow "B" in the above safety information on this label. If you don't smell gas go the next step.
5. If fireplace is equipped with flame adjustment valve turn clockwise to off.
6. Find pilot located in front of back log.
7. **Turn** gas knob counter-clockwise to pilot.

8. **Depress** slightly and hold gas knob while lighting the pilot with the push button ignitor. Keep knob depressed for one minute, then release. If pilot does not continue to burn, repeat steps 3 through 7.

9. **With** pilot lit, depress and turn gas knob counter-clockwise to on.

10. **If** equipped with flame adjustment valve, push and turn knob to high.

11. **If** equipped with remote on-off switch/thermostat, main burner may not come on when you turn valve to on. Remote switch must be in the on position to ignite burner.

12. **Turn** on all electric power to the fireplace.

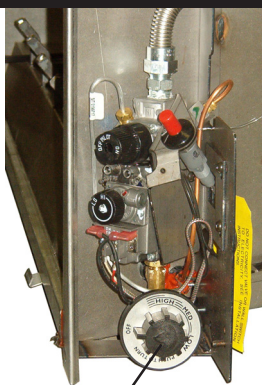
### TO TURN OFF GAS

1. Turn off all electrical power to the unit if service is to be performed.
2. Push in gas control knob slightly and turn clockwise to off. **Do not force.**

### REAR BURNER CONTROL

The purpose of the rear burner is to increase heat output or BTUs of the unit and will only operate when the main burner is functioning. To turn the rear burner on, simply depress the burner control knob (located in the valve compartment at the left hand side below the piezo ignitor) and rotate the knob counter-clockwise to 'high'.

In order to achieve maximum turn down rate, the rear burner must be turned off.



rear burner control knob

### MAINTENANCE

**TURN OFF THE GAS AND UNPLUG ELECTRICAL POWER BEFORE SERVICING THE FIREPLACE INSERT!**

**CAUTION:** Label all wires prior to disconnection when servicing controls. Wiring errors can cause improper and dangerous operation. Verify proper operation after servicing. This insert and its venting system should be inspected before use and at least annually by a qualified service person. The fireplace area must be kept clear and free of combustible materials, gasoline or other flammable vapours and liquids. The flow of combustion and ventilation air must not be obstructed.

1. In order to properly clean the burner and pilot assembly, remove the logs exposing both assemblies.

## MAINTENANCE CONTINUED

- Keep the control compartment, logs, burner, air shutter opening and the area surrounding the logs clean by vacuuming or brushing, at least once a year.
- Check to see that all burner ports are burning. Clean out any of the ports which may not be burning or are not burning properly.
- Check to see that the pilot flame is large enough to engulf the thermocouple on one leg and reaches toward the burner on the other leg.
- Replace the cleaned logs.
- Check to see that the main burner ignites completely on all openings when the gas knob for the burner is turned on. A 5-10 second total light-up period is satisfactory. If ignition takes longer, consult your Napoleon dealer/distributor.
- Check that the door gasketing is not broken or missing. Replace if necessary.

## REPLACEMENT BLOWER INSTALLATION

The Napoleon gas fireplace insert comes standard with a blower, a heat sensor, variable on/off speed control and a power cord. Because the blower is thermally activated, when turned on, it will automatically start approximately 15 minutes after lighting the fireplace and will run for approximately 30 minutes after the fireplace has been turned off. Use of the fan increases the output of heat. Air, drawn in through the lower slot, is driven up the back of the firebox, and exhausted as hot air through the upper slot.

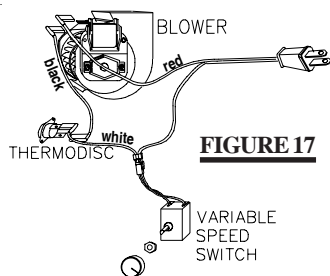
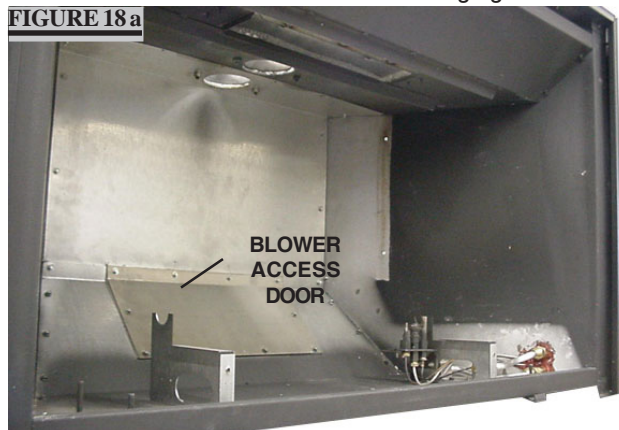


FIGURE 17

- Turn off the electrical power and the gas supply to the fireplace insert.
- Remove the fire viewing door. Remove the logs, log support and backwall.
- Remove the blower access door held on with 10 screws. Replace the blower access door gasket when changing the blower.

FIGURE 18 a



SHOWN WITH LOG SUPPORT AND BACK WALL REMOVED.

FIGURE 18 b



BLOWER THROUGH ACCESS DOOR

- Disconnect the two blower wires. Remove the blower bracket secured with one wing nut and lock washer. **For thermocouple replacement:** Remove the "Z" shaped mounting bracket secured to the firebox wall behind the left side control door. Remove the thermocouple from the bracket and replace. **Figure 19.**

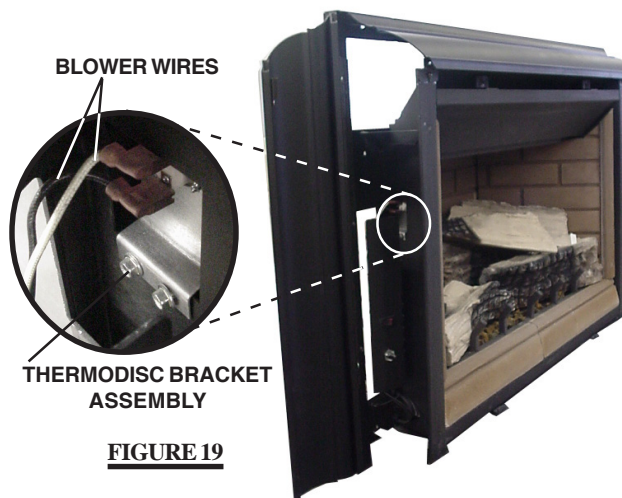


FIGURE 19

- Replace the blower using the existing bracket. Slide the vibration reducing pad (A) into the clip (C) and up against the threaded stud (B) at the other end. The blower must be able to be positioned entirely onto the pad.

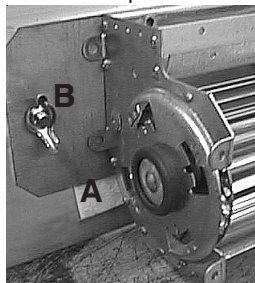


FIGURE 20

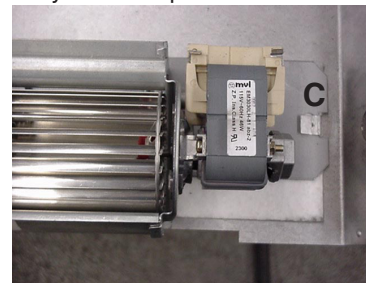


FIGURE 21

Slide the blower into the clip (C). Secure to the threaded stud using the existing lock washer and wing nut. Ensure that the blower does not touch the fireplace base or the firebox.

- Reconnect the two wires. Holding the replacement gasket in place, re-attach the blower access door. Replace the backwall, logs and log support. Reinstall the fire viewing door.
- Turn the gas supply and electricity back on.

*Drywall dust will penetrate into the blower bearings causing irreparable damage and must be prevented from coming into contact with the blower or its compartment. Any damage resulting from this condition is not covered by the warranty policy.*

# ADJUSTMENTS

## PILOT BURNER ADJUSTMENT

Remove the pilot screw cap. Adjust the pilot screw to provide properly sized flame. Turn in a clockwise direction to reduce the gas flow. Replace the pilot screw cap.

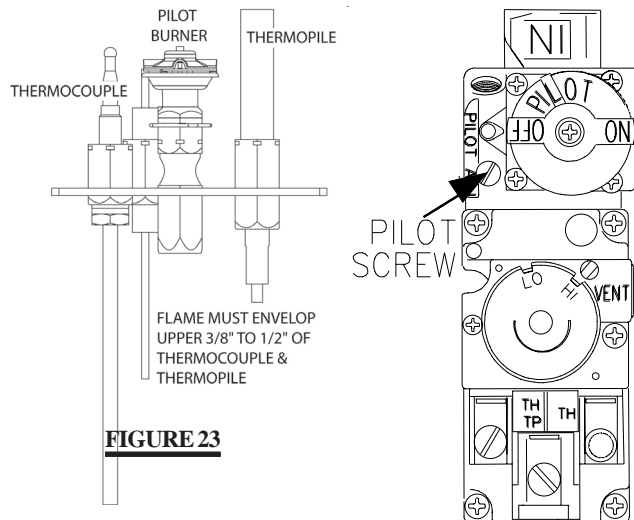


FIGURE 23

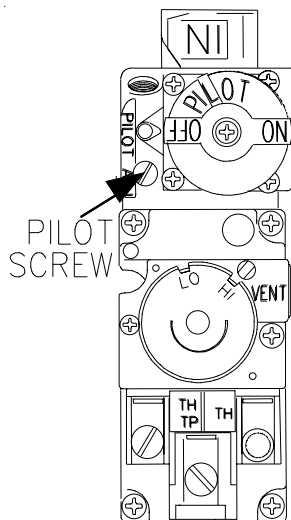


FIGURE 22

## VENT RESTRICTION

Vertical terminations running longer than fifteen feet may display a very active flame. When this is not desirable, a vent restrictor could be installed. This restrictor plate will reduce the velocity of the exhaust gases, slowing down the flame pattern and creating a more traditional appearance.

1. Remove the glass viewing door and logs.
2. Secure the restrictor plate as described.
3. Replace logs and viewing door.

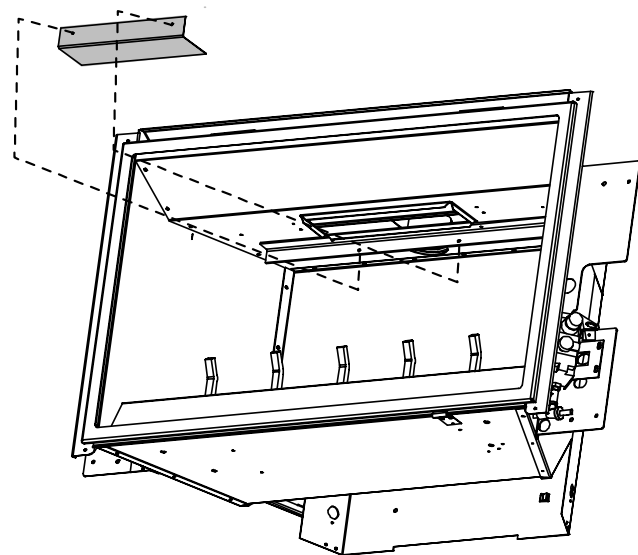


FIGURE 23

Line up the holes on the vent restrictor with the holes on the bracket attached to the roof of the firebox.

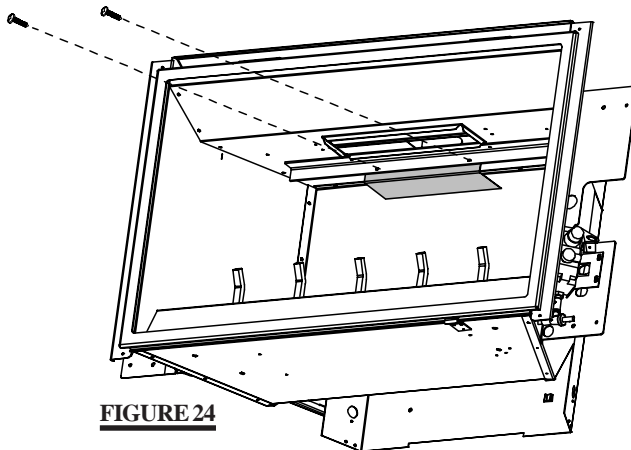


FIGURE 24

Secure the vent restrictor into position using the two screws supplied.

## VENTURI ADJUSTMENT

This unit is approved for use with a 2" liner for air intake and a 3" liner for exhaust. For best performance, however, it is recommended to use two 3" liners. Air shutter settings will differ depending on the liner system used. Use the charts below to determine the correct air shutter setting:

3"/3" LINER SYSTEM		
	FRONT	REAR
NG	1/16"	3/16"
LP	3/16"	7/16"
AIR SHUTTER SETTING		

2"/3" LINER SYSTEM		
	FRONT	REAR
NG	1/8"	1/4"
LP	1/4"	5/8"
AIR SHUTTER SETTING		

Closing the air shutter will cause a more yellow flame, but can lead to carboning. Opening the air shutter will cause a more blue flame, but can cause flame lifting from the burner ports. The flame may not appear yellow immediately; allow 15 to 30 minutes for the final flame colour to be established.

**Air shutter adjustment must only be done by a qualified gas installer!**

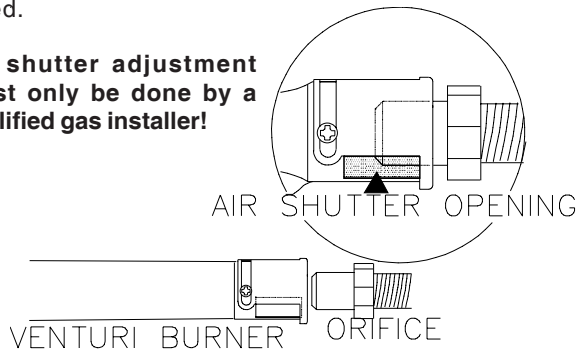


FIGURE 25

# REPLACEMENTS

Contact your dealer for questions concerning prices and availability of replacement parts. Normally all parts can be ordered through your Napoleon dealer or distributor.

**FOR WARRANTY REPLACEMENT PARTS, A PHOTOCOPY OF THE ORIGINAL INVOICE WILL BE REQUIRED TO HONOUR THE CLAIM.**

When ordering replacement parts always give the following information:

1. MODEL & SERIAL NUMBER OF FIREPLACE
2. INSTALLATION DATE OF FIREPLACE
3. PART NUMBER
4. DESCRIPTION OF PART
5. FINISH

## REPLACEMENT PARTS

#	PART #	DESCRIPTION
1	W725-0039	RBT SHAW VALVE - NG
1	W725-0040	RBT SHAW VALVE - LP
2	W100-0075	BURNER TUBE
3	W010-0893	BURNER PAN
4*	W455-0065	#45 FRONT BURNER ORIFICE - NG
4*	W455-0047	#56 FRONT BURNER ORIFICE - LP
4*	W455-0017	#42 REAR BURNER ORIFICE - NG
4*	W455-0059	#53 REAR BURNER ORIFICE - LP
5	W010-0800	PILOT ASSEMBLY - LP
5	W010-0801	PILOT ASSEMBLY - NG
6	W455-0068	PILOT INJECTOR - LP
6	W455-0070	PILOT INJECTOR - NG
7	W680-0005	THERMOCOUPLE
8	W680-0004	THERMOPILE
9*	W573-0008	HIGH TEMPERATURE SEALANT
10*	W357-0001	PIEZO IGNITOR
11	GL-635	LOG SET COMPLETE
12	W135-0030	LOG # 1
13	W135-0160	LOG # 2
14	W135-0161	LOG # 3
15	W135-0033	LOG # 4
16	W135-0034	LOG # 5
17	W135-0035	LOG # 6
18	W135-0036	LOG # 7
19*	W361-0016	GLOWING EMBERS
20	GZ552	BLOWER
21*	W385-0245	NAPOLEON LOGO
22	W010-0890	GLASS c/w GASKET
23	W225-0100	DOOR FRAME
24	W010-0889	DOOR c/w GLASS
25*	W290-0063	BLOWER ACCESS GASKET
26*	W430-0011	MAGNETIC CLOSURE
27*	W660-0009	ON/OFF SWITCH
28*	W690-0002	THERMODISC
29*	W380-0002	VARIABLE SPEED SWITCH KNOB
30*	W660-0019	VARIABLE SPEED SWITCH
31*	W450-0023	PAL NUT
32*	W730-0024	3" STAINLESS FLEXLINER X 3'
33*	W175-0204	3" COUPLER
34	W010-0888	VENT CONNECTION ASSEMBLY
35*	W290-0076	VENT CONNECTION ASSEMBLY GASKET

## TERMINAL KITS

35	GDI-223	TERMINAL KIT
----	---------	--------------

## VENT KITS

**1-2" & 1-3" DOUBLE PLY ALUMINUM LINER-INLET AND EXHAUST & 2-3" TO 2" REDUCER:**

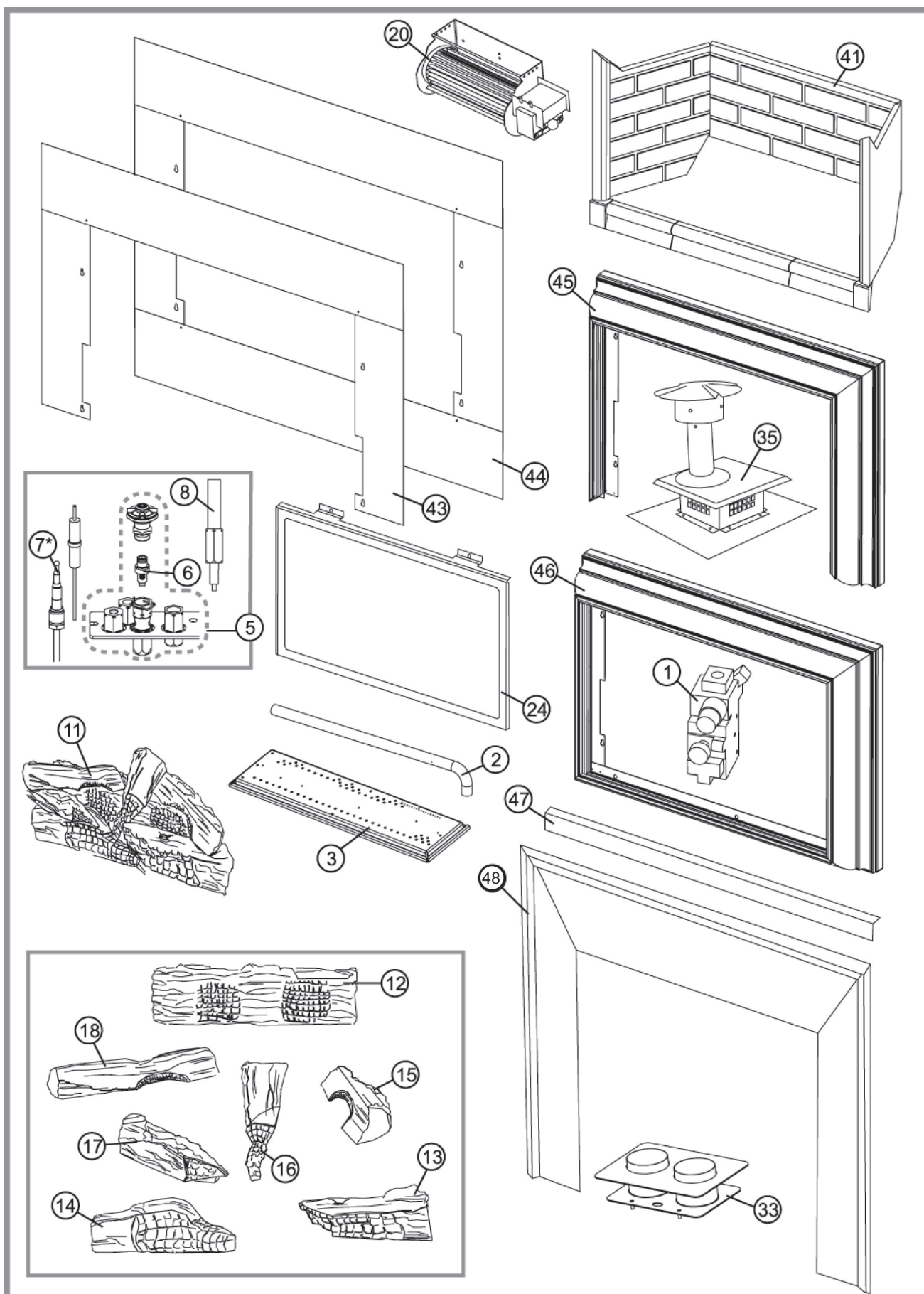
36*	GDI-2320KT	VENT KIT 20FT
36*	GDI-2325KT	VENT KIT 25FT
36*	GDI-2335KT	VENT KIT 35FT

**2-3" DOUBLE PLY ALUMINUM LINER-INLET AND EXHAUST:**

37*	GDI-320KT	VENT KIT 20FT
37*	GDI-325KT	VENT KIT 25 FT
37*	GDI-335KT	VENT KIT 35 FT

## ACCESSORIES:

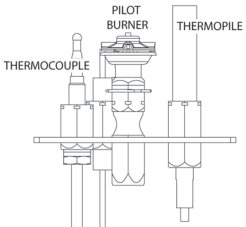
38*	W690-0001	MILLIVOLT THERMOSTAT
39*	W660-0010B	REMOTE CONTROL - ADVANTAGE
39*	W660-0011B	REMOTE CONTROL - ADVANTAGE PLUS
40*	GD660	REMOTE WALL SWITCH c/w 20FT WIRE
41	GI-794KT	DECORATIVE BRICK PANELS
42*	W175-0202	NATURAL GAS TO PROPANE CONVERSION KIT
43	GDI3P3	3 SIDED BACKER PLATE c/w ACCENT TRIM
44	GDI3P4	4 SIDED BACKER PLATE c/w ACCENT TRIM
45	GDITRM3	ALUMINIUM EXTRUSION - MATTE BLACK
45	GDITRM3-K	ALUMINIUM EXTRUSION - POLISHED BLACK
45	GDITRM3-B	ALUMINIUM EXTRUSION - POLISHED BRASS
46	GDITRM4	ALUMINIUM EXTRUSION - MATTE BLACK
46	GDITRM4-K	ALUMINIUM EXTRUSION - POLISHED BLACK
46	GDITRM4-B	ALUMINIUM EXTRUSION - POLISHED BRASS
47	GDIUT	UPPER DOOR TRIM - BRASS
47	GDIUT-G	UPPER DOOR TRIM - GOLD
48	GDI3P3D	BACKER PLATE 3 SIDED DELUXE



\* **WARNING:** This is a fast acting thermocouple. It is an integral safety component. Replace only with a fast acting thermocouple supplied by Wolf Steel Ltd.

# TROUBLE SHOOTING GUIDE

BEFORE ATTEMPTING TO TROUBLESHOOT, PURGE YOUR UNIT AND INITIALLY LIGHT THE PILOT AND THE MAIN BURNER WITH THE GLASS DOOR REMOVED.

SYMPTOM	PROBLEM	TEST SOLUTION
Pilot will not light. <div style="text-align: center; margin-top: 10px;">  </div>	No spark at pilot burner	<ul style="list-style-type: none"> <li>- check if pilot can be lit by a match</li> <li>- check that the wire is connected to the push button ignitor.</li> <li>- check if the push button ignitor needs tightening.</li> <li>- replace the push button ignitor.</li> </ul>
	Spark gap is incorrect	<ul style="list-style-type: none"> <li>- spark gap should be 0.150" to 0.175" (5/32" to 11/64" approx.) from the electrode tip and the pilot burner.</li> </ul>
	No gas at the pilot burner	<ul style="list-style-type: none"> <li>- check that the manual valve is turned on.</li> <li>- check the pilot orifice for blockage.</li> <li>- replace the valve.</li> <li>- call the gas distributor.</li> </ul>
	Out of propane gas.	<ul style="list-style-type: none"> <li>- fill the tank.</li> </ul>
Pilot goes out when the gas knob is released.	System is not correctly purged.	<ul style="list-style-type: none"> <li>- purge the gas line with the glass door open.</li> </ul>
	Out of propane gas	<ul style="list-style-type: none"> <li>- fill the tank.</li> </ul>
	Pilot flame is not large enough	<ul style="list-style-type: none"> <li>- turn up the pilot flame.</li> </ul>
	Pilot flame is not engulfing the thermocouple.	<ul style="list-style-type: none"> <li>- turn up pilot flame.</li> <li>- replace pilot assembly.</li> </ul>
	Thermocouple shorting.	<ul style="list-style-type: none"> <li>- loosen and tighten thermocouple.</li> <li>- clean thermocouple and valve connection.</li> <li>- replace thermocouple.</li> <li>- replace valve.</li> </ul>
	Faultly thermocouple.	<ul style="list-style-type: none"> <li>- replace.</li> </ul>
	Faulty valve.	<ul style="list-style-type: none"> <li>- replace.</li> </ul>
Pilot burning; no gas to main burner; gas knob is on 'HI'; wall switch / thermostat is on.	Main burner orifice is plugged.	<ul style="list-style-type: none"> <li>- remove stoppage in orifice.</li> </ul>
	Faulty thermopile.	<ul style="list-style-type: none"> <li>- replace.</li> </ul>
	Faulty thermostat or switch.	<ul style="list-style-type: none"> <li>- connect a jumper wire across the wall switch terminals; if main burner lights, replace thermostat.</li> <li>- disconnect the switch wires &amp; connect a jumper wire across terminals 1 &amp; 3; if the main burner lights, check the wires for defects and / or replace wires.</li> </ul>
	Faulty valve.	<ul style="list-style-type: none"> <li>- replace.</li> </ul>
Pilot goes out while standing; Main burner is in 'OFF' position.	Gas piping is undersized.	<ul style="list-style-type: none"> <li>- turn on all gas appliances and see if pilot flame flutters, diminishes or extinguishes, especially when main burner ignites. Monitor supply pressure.</li> <li>- check if supply piping size is to code. Correct all undersized piping.</li> </ul>
Main burner goes out; pilot stays on.	Pilot flame is not large enough or not engulfing the thermopile.	<ul style="list-style-type: none"> <li>- turn up pilot flame.</li> <li>- replace pilot assembly.</li> </ul>
	Thermopile shorting	<ul style="list-style-type: none"> <li>- clean thermopile and thermopile connection to valve.</li> </ul>
	Remote wall switch wire is too long, too much resistance in the system	<ul style="list-style-type: none"> <li>- shorten wire to correct length or wire gauge.</li> </ul>
	Faulty thermostat or switch	<ul style="list-style-type: none"> <li>- replace</li> </ul>

<b>SYMPTOM</b>	<b>PROBLEM</b>	<b>TEST SOLUTION</b>
Main burner goes out; pilot goes out.	REFER TO "MAIN BURNER GOES OUT; PILOT STAYS ON"	
	Vent re-circulating	- check joint seals and installation.
	Thermocouple shorting or faulty.	- loosen and tighten thermocouple - clean thermocouple and valve connection. - replace thermocouple. - replace valve.
	Vent is reversing	- check all venting and insert seals. - check that door is properly sealed. If the insert is allowed to burn with the door off when purging the unit, exhaust products may escape through the air intake pipe and reverse the venting action. Let the unit cool down to correct the reversed venting action.
Exhaust fumes smelled in room, headaches.	Fireplace is spilling.	- check all seals.
Carbon is being deposited on glass, logs or combustion chamber surfaces.	Air shutter has become blocked	- ensure air shutter opening is free of lint or other obstructions.
	Flame is impinging on the logs or combustion chamber.	- check that the logs are correctly positioned. - open air shutter to increase the primary air. - check the input rate: check the manifold pressure and orifice size as specified by the rating plate values. - check that the door gasketing is not broken or missing and that the seal is tight. - check that both vent liners are free of holes and well sealed at all joints.
	Air shutter is not set to specifications.	- check and adjust air shutter to correspond with the fuel type and air intake size.
Main burner flame is a blue, lazy, transparent flame.	Blockage in vent.	- remove blockage. In really cold conditions, ice buildup may occur on the terminal and should be removed as required.
	Incorrect installation.	- vent liners are reversed. Refer to Figure 2. - check all venting and insert seals.
White / grey film forms.	Sulphur from fuel is being deposited on glass, logs or combustion chamber surfaces.	- clean the glass with a recommended gas fireplace glass cleaner. <b>DO NOT CLEAN GLASS WHEN HOT.</b> If deposits are not cleaned off regularly, the glass may become permanently marked.
Flames are very aggressive.	Door is ajar	-ensure door seal is tight.
	Venting action is too great.	-restrict vent exit with restrictor vent kit, W010-0898.

**Wolf Steel Fireplace Service History**

This fireplace must be serviced annually depending on usage.

Date	Dealer Name	Service Technician Name	Service Performed	Special Concerns