

INSTALLER: LEAVE THIS MANUAL WITH THE APPLIANCE.
CONSUMER: RETAIN THIS MANUAL FOR FUTURE REFERENCE.



INSTALLATION AND OPERATING INSTRUCTIONS

CERTIFIED UNDER CANADIAN AND AMERICAN NATIONAL STANDARDS: CSA 2.33, ANSI Z21.88 FOR VENTED GAS FIREPLACE HEATERS.

HD81 LOG BURNER ASSEMBLY

B81NL
NATURAL GAS

B81PL
PROPANE

CERTIFIED FOR CANADA AND UNITED STATES USING ANSI/CSA METHODS.

SAFETY INFORMATION

WARNING

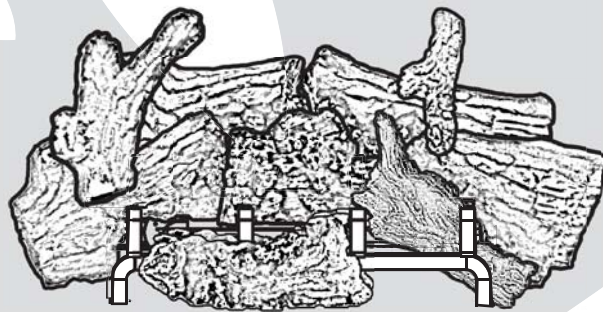
If the information in these instructions are not followed exactly, a fire or explosion may result causing property damage, personal injury or loss of life.

- Do not store or use gasoline or other flammable vapors and liquids in the vicinity of this or any other appliance.

- WHAT TO DO IF YOU SMELL GAS:

- Do not try to light any appliance.
- Do not touch any electrical switch; do not use any phone in your building.
- Immediately call your gas supplier from a neighbour's phone. Follow the gas supplier's instructions.
- If you cannot reach your gas supplier, call the fire department.

- Installation and service must be performed by a qualified installer, service agency or the supplier.



APPLY SERIAL NUMBER LABEL FROM CARTON



Wolf Steel Ltd., 24 Napoleon Rd., Barrie, ON, L4M 4Y8 Canada /
103 Miller Drive, Crittenden, Kentucky, USA, 41030

Phone (705)721-1212 • Fax (705)722-6031 • www.napoleonfireplaces.com • ask@napoleonproducts.com

TABLE OF CONTENTS

1.0	GENERAL INFORMATION	2
2.0	INSTALLATION	2
2.1	ACCESS PANEL	2
2.2	BURNER ASSEMBLY	2
2.3	BULKHEADS	3
2.4	NIGHT LIGHT™ INSTALLATION	4
2.5	HEARTH PANEL INSTALLATION	4
2.6	LOG PLACEMENT	5
2.7	CHARCOAL LUMPS	6
2.8	CHARCOAL EMBERS	6
2.9	VERMICULITE	7
2.10	GLOWING EMBERS	7
3.0	ADJUSTMENT	7
3.1	FLAME CHARACTERISTICS	7
3.2	VENTURI ADJUSTMENT	7
4.0	REPLACEMENTS	8

NOTE: Changes, other than editorial, are denoted by a line in the margin.

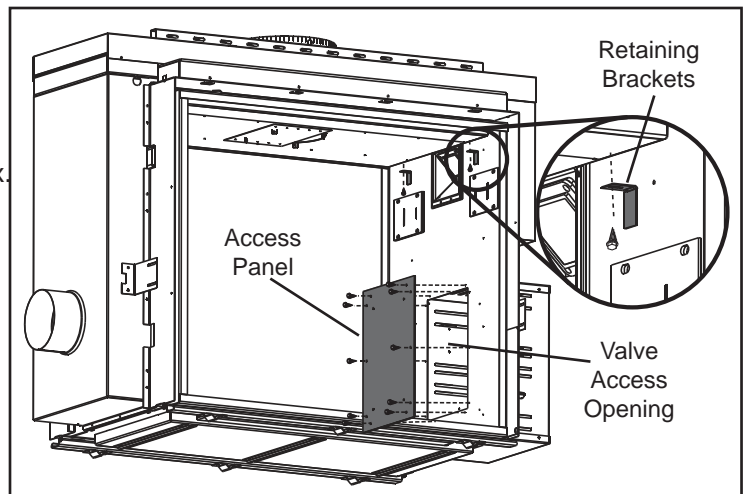
1.0 GENERAL INFORMATION

This burner and log assembly are approved for use in the HD81 gas appliance only. They are not approved for use as a stand alone appliance or in conjunction with any other appliance.

2.0 INSTALLATION

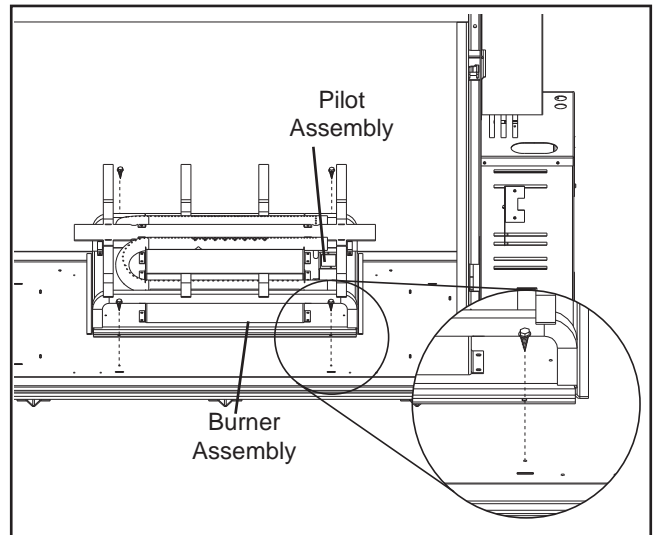
2.1 ACCESS PANEL

- A. Once either door is removed (see Installation Instructions), remove the valve access panel and the 4 retaining brackets located at the top of the firebox.



2.2 BURNER ASSEMBLY

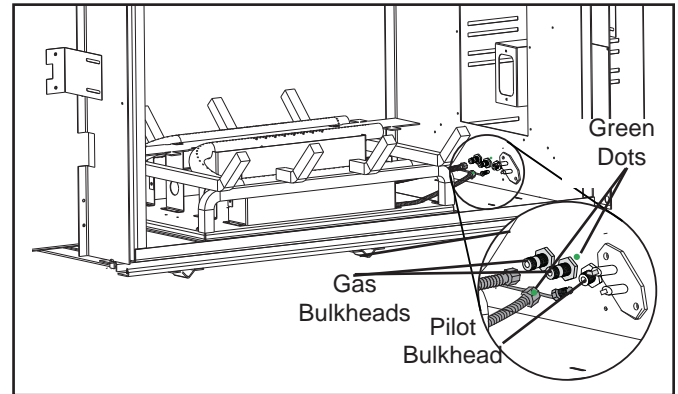
- A. Attach the burner assembly to the firebox base with the screws supplied, making sure the pilot assembly is closest to the valve access opening.



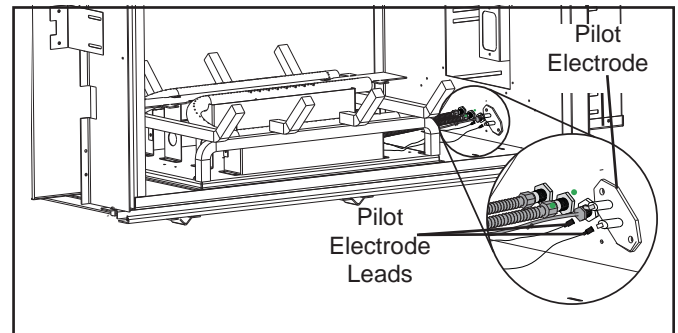
2.3 BULKHEADS

NOTE: Bulkhead covers need to be removed.

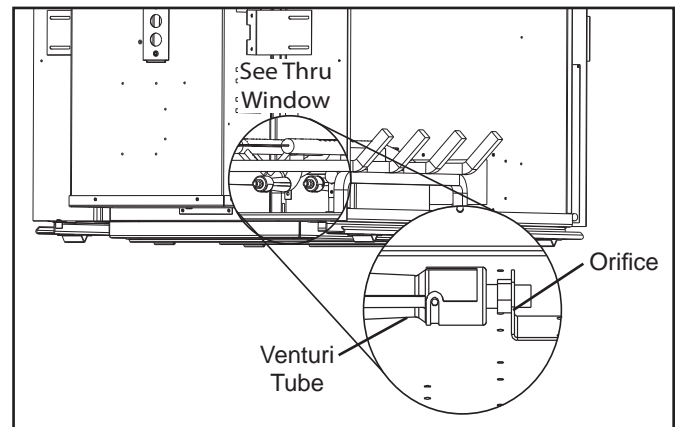
- A. Connect the gas flex lines and the pilot line to the gas bulkheads located under the valve access opening. Be sure to match up the gas manifold marked with a green dot with the center bulkhead, also marked with a green dot. Care must be taken to ensure the pilot line isn't damaged and ensuring gas tight connections are made.



- B. Connect the pilot electrode leads to the bulkhead matching the 1/4" flag with the 1/4" bulkhead spade and the 3/16" flag with the 3/16" spade.



- C. Ensure the 2 venturi tubes are over the orifices before lighting.
- D. Check for gas leaks by brushing on a soap and water solution. Do not use open flame.
- E. After leak test has been performed re-install access panel with gasket.



4

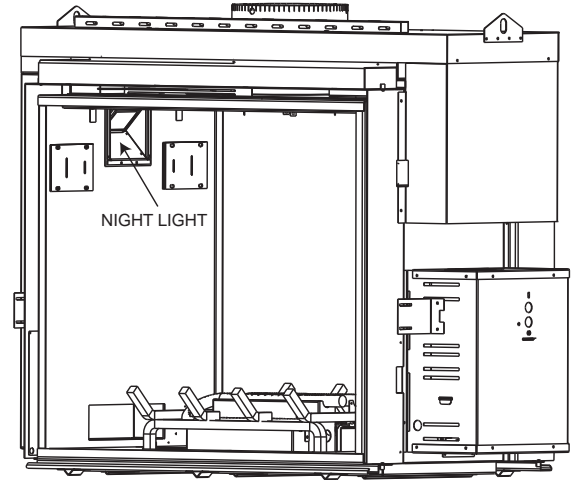
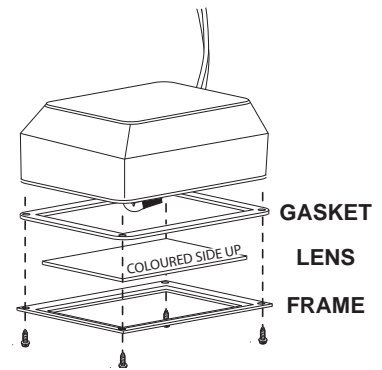
2.4 NIGHT LIGHT™ INSTALLATION

Your HD81 comes equipped with 2 “Night Lights™”. The lights have been pre-wired and are controlled from the remote control. Included with the burner assembly are the frames, lenses and gaskets that need to be installed as shown.

THE FIREBOX MUST BE SEALED.

Over tightening the screws could break the lens.

“Light Leakage” from the holes in the housing lamp may be observed. The holes in the lamp housing are necessary for ventilation and must not be covered.



2.5 HEARTH PANEL INSTALLATION

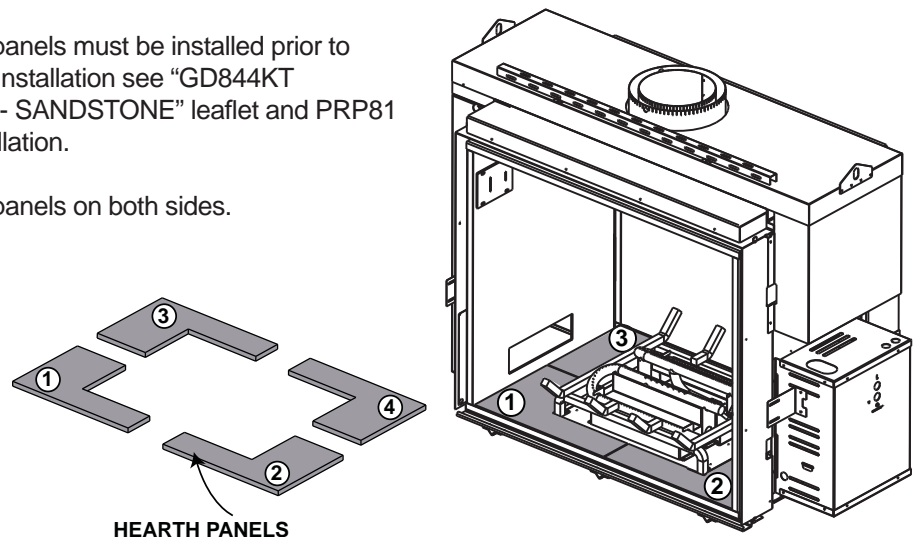
Hearth panels are shipped separate from unit and are included with the burner assembly and the logs. Due to the brittle material of the panels, care must be taken not to bend or force them into place.

When shipped, the hearth panels range in varying shades of Sandstone. During initial use, the panels will darken temporarily. The appearance of the panels will permanently lighten in color with use.

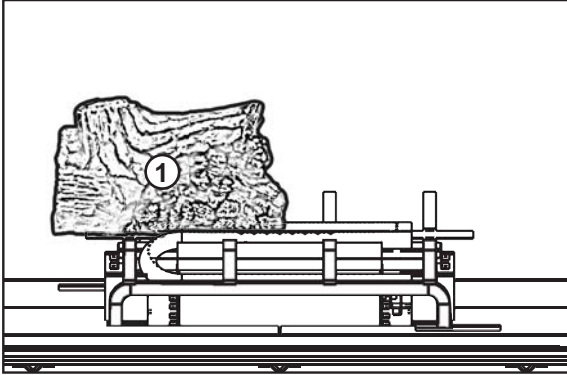
INSTALL HEARTH PANELS IN THE FOLLOWING ORDER:

NOTE: Burner assembly must be installed first.

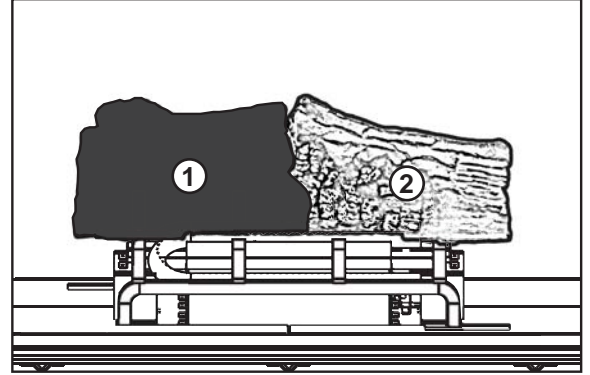
- A. Side brick panels or porcelain panels must be installed prior to hearth panels. For brick panel installation see “GD844KT DECORATIVE BRICK PANEL - SANDSTONE” leaflet and PRP81 leaflet for porcelain panel installation.
- B. Install the left and right hearth panels on both sides.



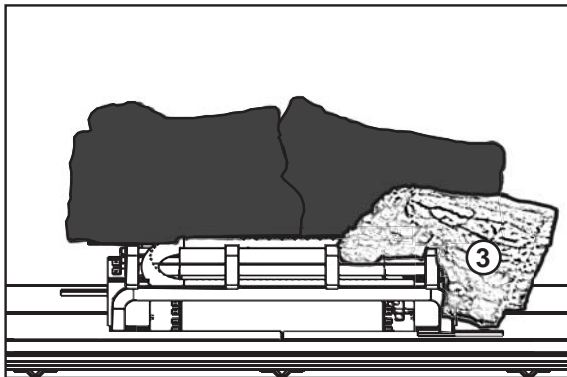
2.6 LOG PLACEMENT



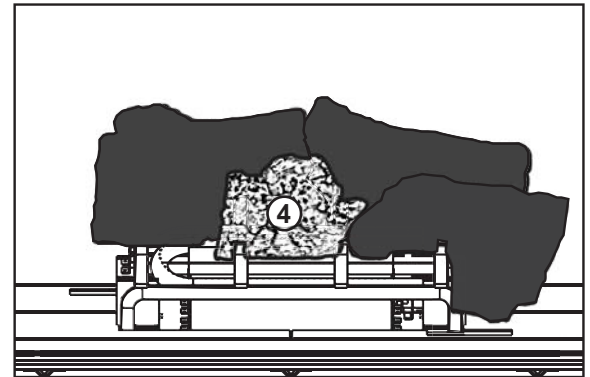
- A. Place the left middle log #1 onto the locating stud on the middle log support. Make sure the hollow on the underside of the log is over the bend tab.



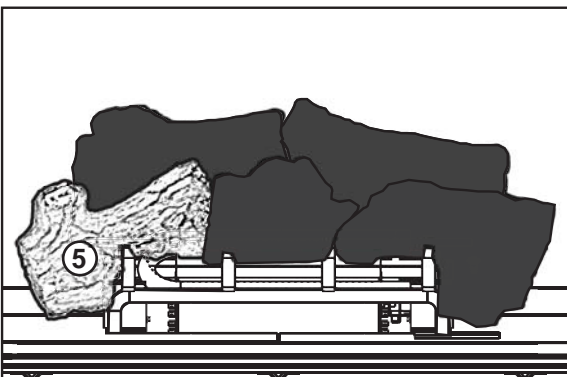
- B. Slide log #2 from right to left on the middle log support creating a tight fit between logs #1 and #2. Make sure the hollow on the underside of the log is over the bend tab.



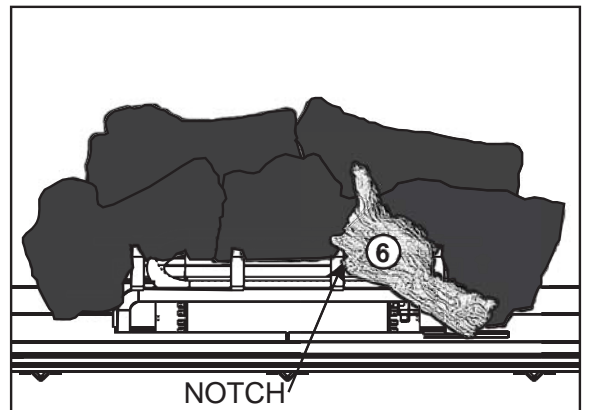
- C. Place log #3 onto the far right locating stud located on the front deflector.



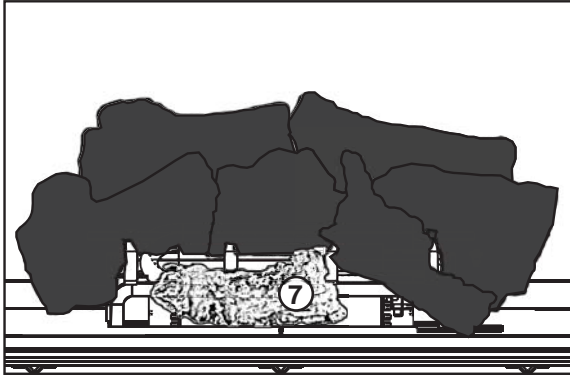
- D. Place log #4 onto the two center locating studs on the front support.



- E. Place log #5 onto the far left locating stud located on the front deflector.

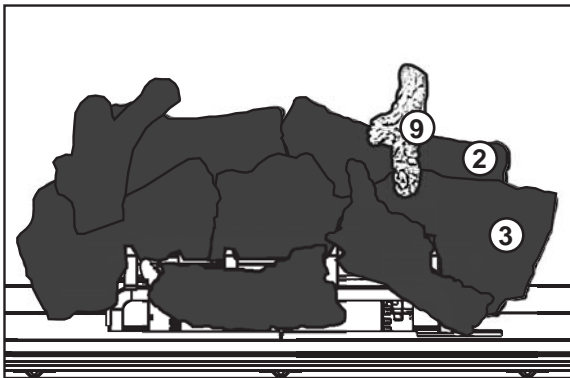


- F. Place the notch on log #6 onto the third grate.

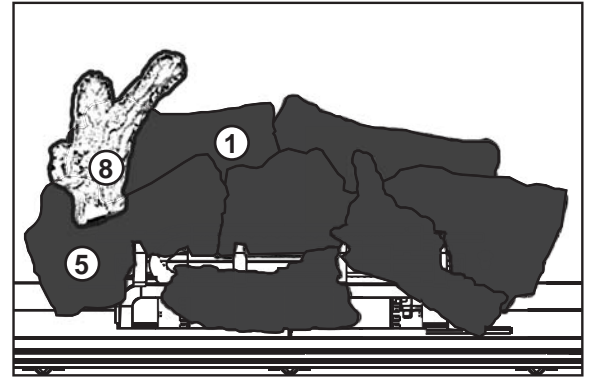


- G. Slide the flat portion of log #7 under the second grate post.

NOTE: Logs 3, 4, 5, 6 and 7 are included twice. Install these logs on the opposite side. Logs 8 and 9 are only included once, to give a different appearance to each side. Install logs 8 and 9 on the side that you prefer. If desired a 2nd set of 8 and 9 logs are available in an upgrade kit GL81L2 and can be purchased to make both sides identical.



- I. Place the pin in log #9 into the locating hole on log #2 and rest the bottom of the log #3.



- H. Place the pin in log #8 into the locating hole on log #1 and rest the bottom of the log on log #5.

- J. If GL81L2 (upgrade kit) is purchased repeat "H" and "I" on other side.

2.7 CHARCOAL LUMPS

! WARNING

CHARCOAL EMBERS, VERMICULITE AND CHARCOAL LUMPS ARE NOT TO BE PLACED ON THE BURNER.

Place the lumps in front of the logs in a realistic manner taking care not to block any of the burner ports.

34.1

2.8 CHARCOAL EMBERS

Randomly place the charcoal embers along the front and sides of the log support tray in a realistic manner.

Fine dust found in the bottom of the bag should not be used.

NOTE: Charcoal embers are not to be placed on the burner.

32.1

2.9 VERMICULITE

Sprinkle vermiculite around the charcoal embers.

NOTE: Vermiculite is not to be placed on the burner.

33.1

2.10 GLOWING EMBERS

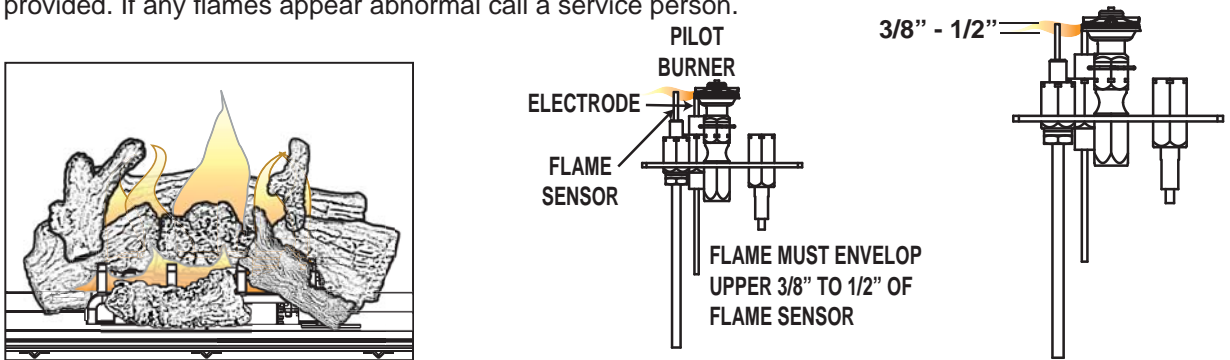
Tear the embers into pieces and place along the front row of ports covering all of the burner area. Care should be taken to shred the embers into thin, small irregular pieces as only the exposed edges of the fibre hairs will glow. The ember material will only glow when exposed to direct flame; however, care should be taken to not block the burner ports.

Blocked burner ports can cause an incorrect flame pattern, carbon deposits and delayed ignition. Phazer™ logs glow when exposed to direct flame. Use only certified “glowing embers” and Phazer™ logs available from your Authorized dealer.

3.0 ADJUSTMENT

3.1 FLAME CHARACTERISTICS

It's important to periodically perform a visual check of the pilot and burner flames. Compare them to the illustrations provided. If any flames appear abnormal call a service person.



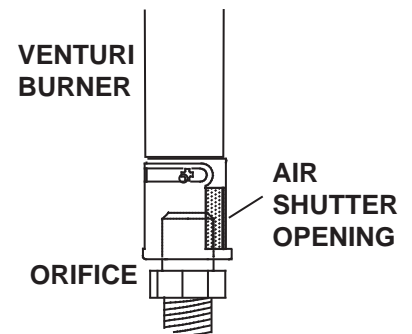
54.1

3.2 VENTURI ADJUSTMENT

This appliance has an air shutter that has been factory set open according to the chart below:

Regardless of venturi orientation, closing the air shutter will cause a more yellow flame, but can lead to carboning. Opening the air shutter will cause a more blue flame, but can cause flame lifting from the burner ports. The flame may not appear yellow immediately; allow 15 to 30 minutes for the final flame color to be established.

AIR SHUTTER ADJUSTMENT MUST ONLY BE DONE BY A QUALIFIED INSTALLER!



49.1

Air Shutter Openings both Burners	
LP	7/16"
NG	3/16"

4.0 REPLACEMENTS

Contact your dealer or the factory for questions concerning prices and policies on replacement parts. Normally all parts can be ordered through your Authorized dealer / distributor.

FOR WARRANTY REPLACEMENT PARTS, A PHOTOCOPY OF THE ORIGINAL INVOICE WILL BE REQUIRED TO HONOUR THE CLAIM.

When ordering replacement parts always give the following information:

- Model & Serial Number of appliance
- Installation date of appliance
- Part number
- Description of part
- Finish

*** IDENTIFIES ITEMS WHICH ARE NOT ILLUSTRATED. FOR FURTHER INFORMATION, CONTACT YOUR AUTHORIZED DEALER.**

! WARNING

FAILURE TO POSITION THE PARTS IN ACCORDANCE WITH THIS MANUAL OR FAILURE TO USE ONLY PARTS SPECIFICALLY APPROVED WITH THIS APPLIANCE MAY RESULT IN PROPERTY DAMAGE OR PERSONAL INJURY.

41.1

COMPONENTS		
REF NO.	PART NO.	DESCRIPTION
1	W280-0071	NIGHT LIGHT LENS FRAME
2	W290-0080	NIGHT LIGHT GASKET
3	W300-0067	CERAMIC ORANGE NIGHT LIGHT LENS
4	W100-0107	RIGHT SIDE LOG BURNER
4	W100-0108	LEFT SIDE LOG BURNER
5*	W175-0227	CONNECTOR, 3/8" STAINLESS STEEL FLEX
6*	W175-0289	CONNECTOR, 3/8" STAINLESS STEEL FLEX (24")
7	W010-1829	3-WAY NATURAL GAS PILOT ASSEMBLY
7	W010-1830	3-WAY PROPANE GAS PILOT ASSEMBLY
8	W456-0033	#33 ORIFICE NATURAL
8	W456-0053	#53 ORIFICE PROPANE
9	W455-0070	NATURAL GAS PILOT INJECTOR
9	W455-0065	PROPANE GAS PILOT INJECTOR
10	GL-666	LOG SET
11	W135-0366	LOG, RIGHT MIDDLE #2
12	W135-0367	LOG, LEFT MIDDLE #1
13	W135-0368	LOG, RIGHT FRONT #3
14	W135-0369	LOG, LEFT FRONT #5
15	W135-0370	LOG, MIDDLE FRONT #4
16	W135-0371	LOG, RIGHT CROSSOVER
17	W135-0372	LOG, LEFT CROSSOVER
18	W135-0373	LOG, BOTTOM FRONT CROSSOVER
19	W135-0374	LOG, BOTTOM LEFT FRONT
20	W475-0574	HEARTH RIGHT FIBRE PANEL
21	W475-0613	HEARTH LEFT FIBRE PANEL
22*	W361-0016	GLOWING EMBERS
23*	W550-0001	CHARCOAL EMBERS
24*	W550-0002	CHARCOAL LUMPS
25*	W361-0014	VERMICULITE
26	W750-0200	FLAME SENSOR
27	W750-0201	ELECTRODE
28	W010-1946	ASSEMBLY, LOG GRATE

Installation and repairs must be performed by a qualified installer, service agency or the supplier.

