



# BUILT-IN SERIES

## Assembly Guide

Guide de Montage / Guía de Ensamblaje

BIG32, BIG38, BIG44, BIB18, BIB12 & BIB10







# WELCOME TO NAPOLEON!

**Congratulations** on upgrading your grilling game and welcome to the Napoleon family! Register your grill today. We want to be by your side as you live memorable moments.

**Félicitations** pour votre achat et bienvenue dans la famille Napoleon. inscrivez votre gril dès aujourd'hui. nous voulons être à vos côtés pour tous vos moments de grillades agréables.

**Felicidades** por elevar tu potencial como chef parrillero y Bienvenido a la familia Napoleon! Registra tu asador para permitirnos estar contigo mientras vives momentos inolvidables.

## Ready to assemble your new grill?...



There may be visual differences between illustrations and model purchased.  
Remove all parts from packaging before assembling the barbecue.  
Set up this assembly on a solid, level and horizontal surface.



Il peut y avoir des différences visuelles entre les illustrations et le modèle acheté.  
Retirez toutes les pièces de l'emballage avant d'assembler le barbecue.  
Installez cet assemblage sur une surface solide, plane et horizontale.

Considera que puede haber diferencias entre las ilustraciones en esta guía y el modelo adquirido. Retira todas las partes de sus empaques antes de comenzar.  
Asegurate de ensamblar tu parrilla en una superficie plana y sólida.



**These are the tools you'll need (not included)**

**Ce sont les outils dont vous aurez besoin (non inclus)**

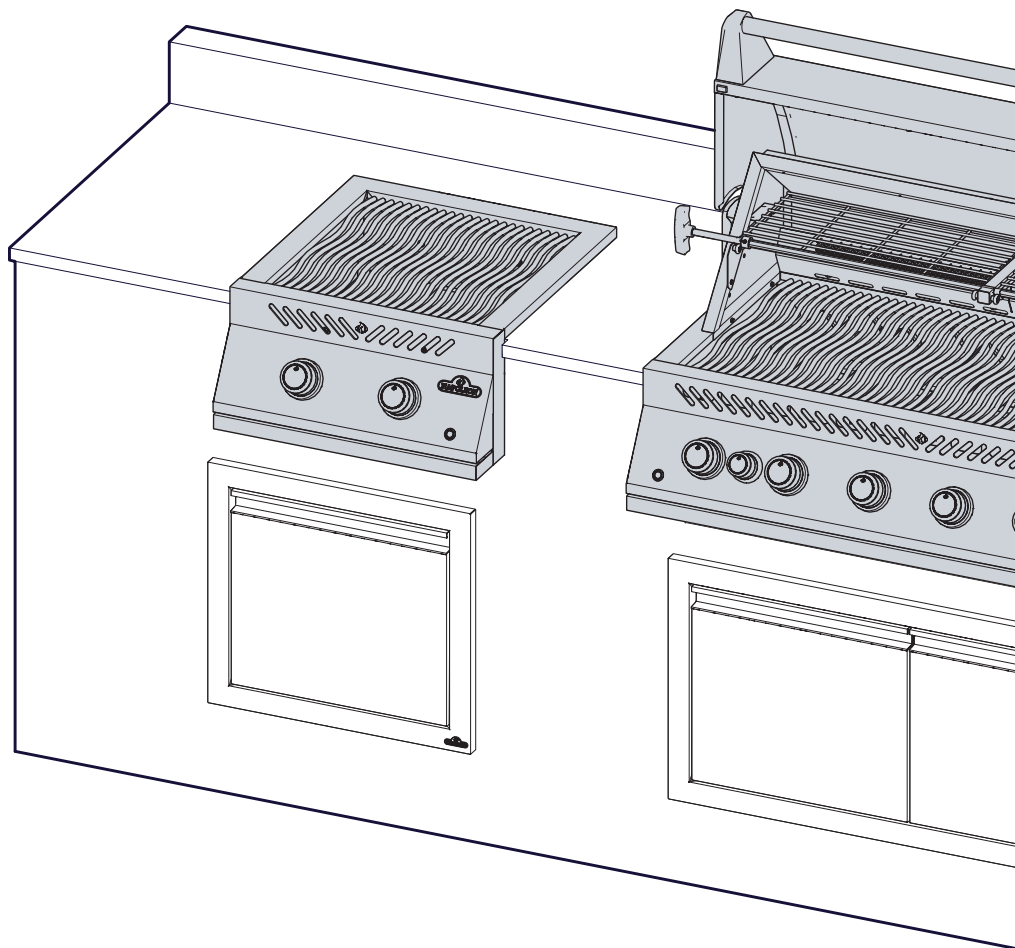
**Estas son las herramientas que necesitarás (no incluidas)**

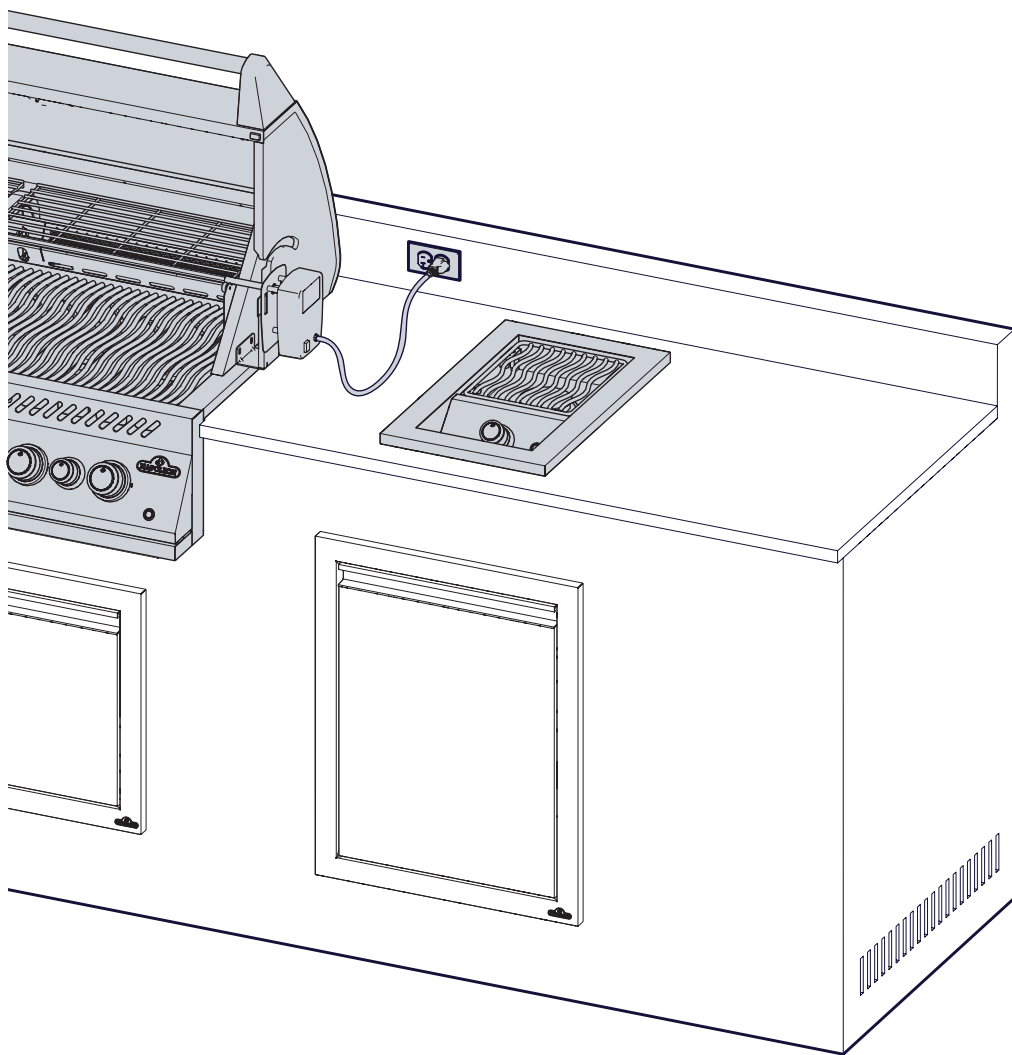




# BUILT-IN SERIES

## Assembled Grill and Burners








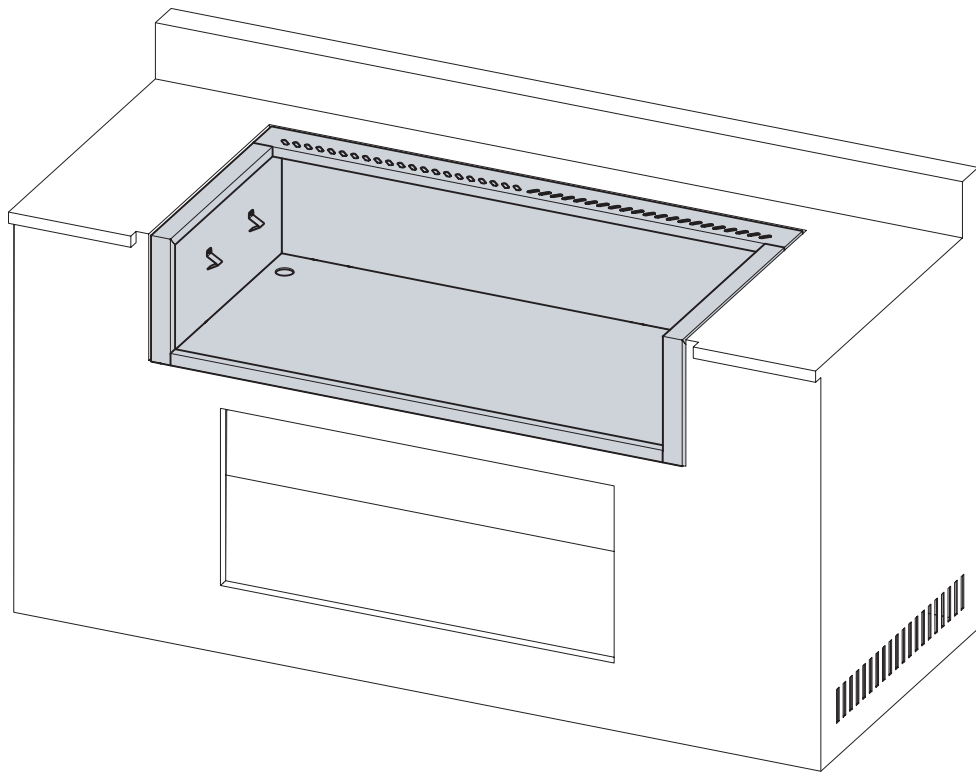
 BI-3623-ZCL

 BI-4223-ZCL

 BI-4823-ZCL

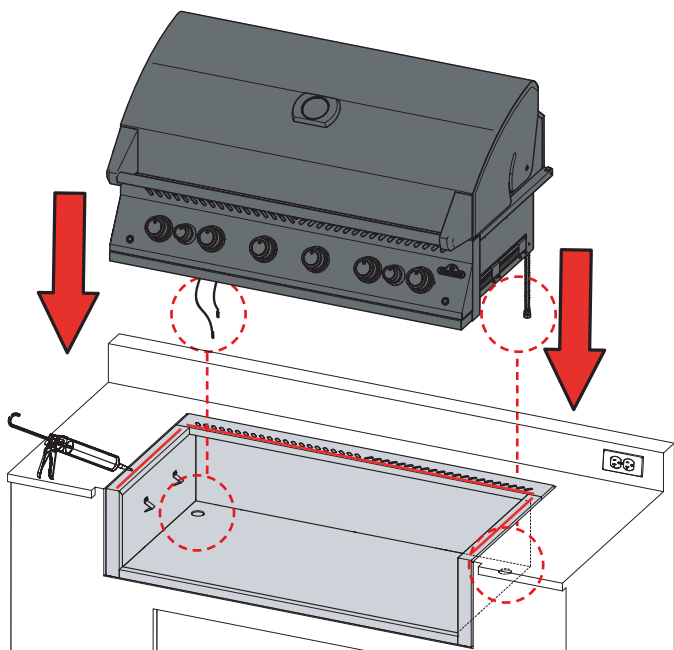
 BI-2423-ZCL

 BI-1823-ZCL

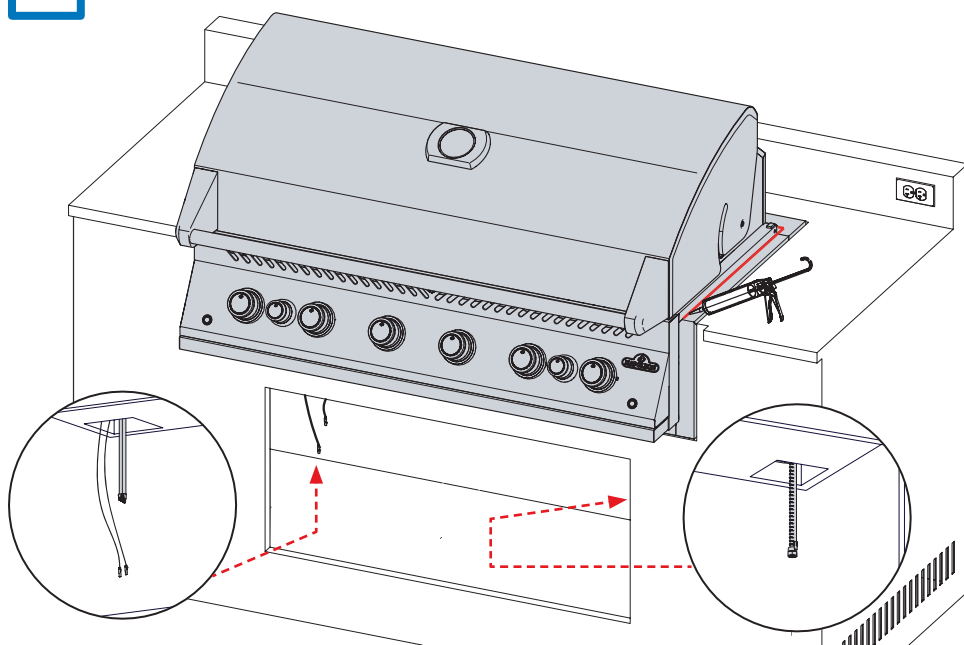




1



2

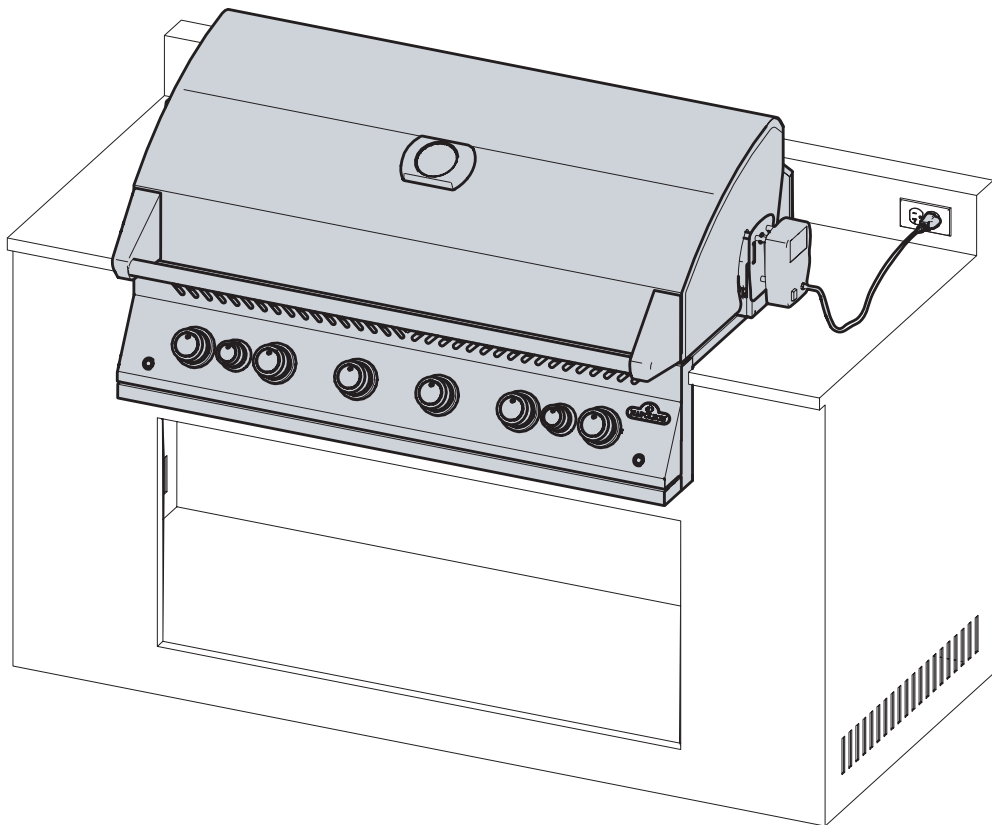




**BIG 32**

**BIG 38**

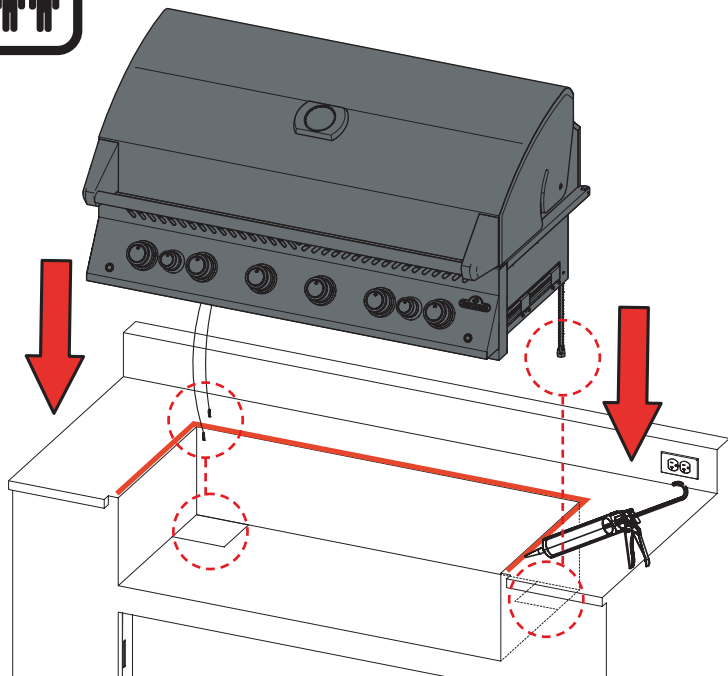
**BIG 44**



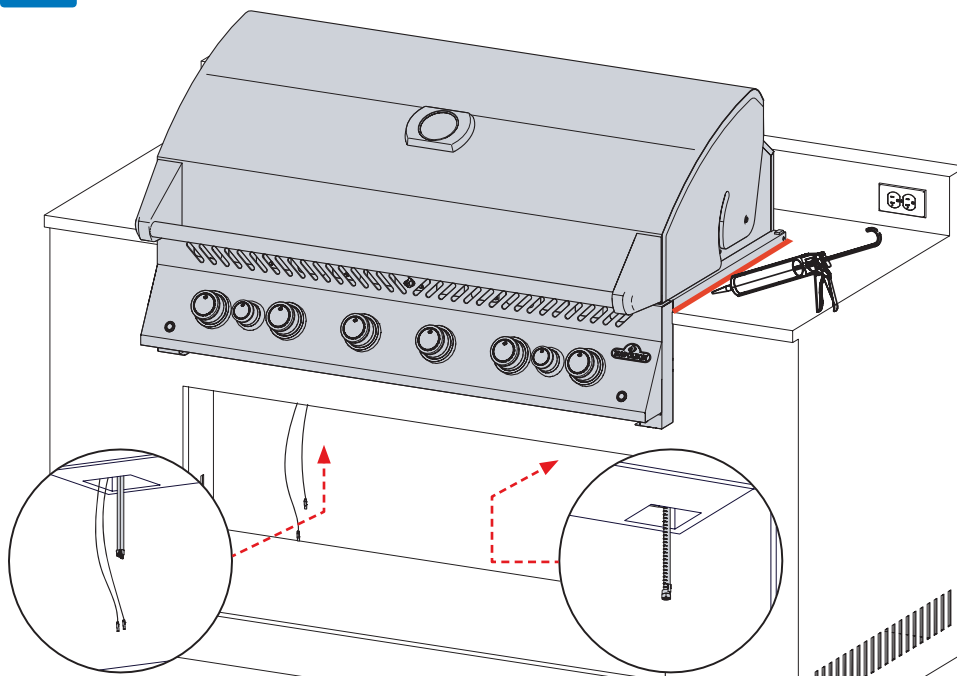




1

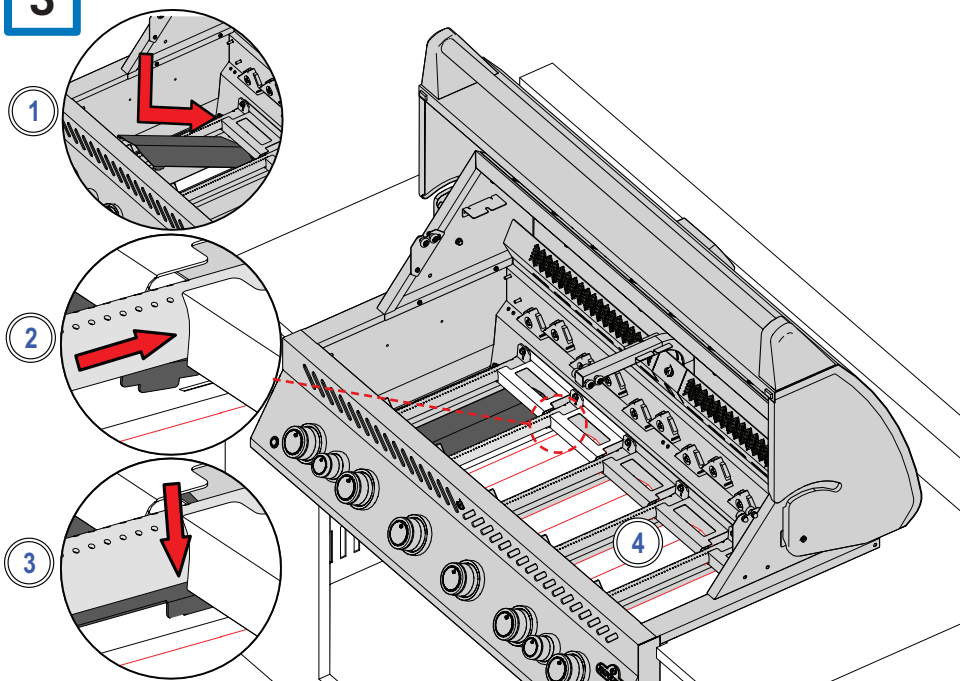


2

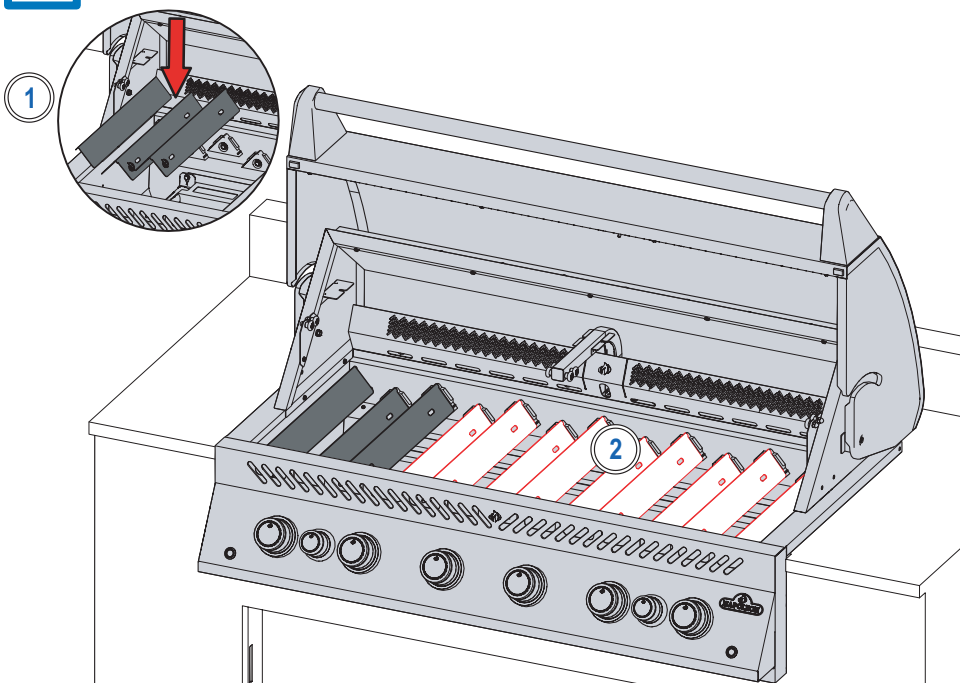




3

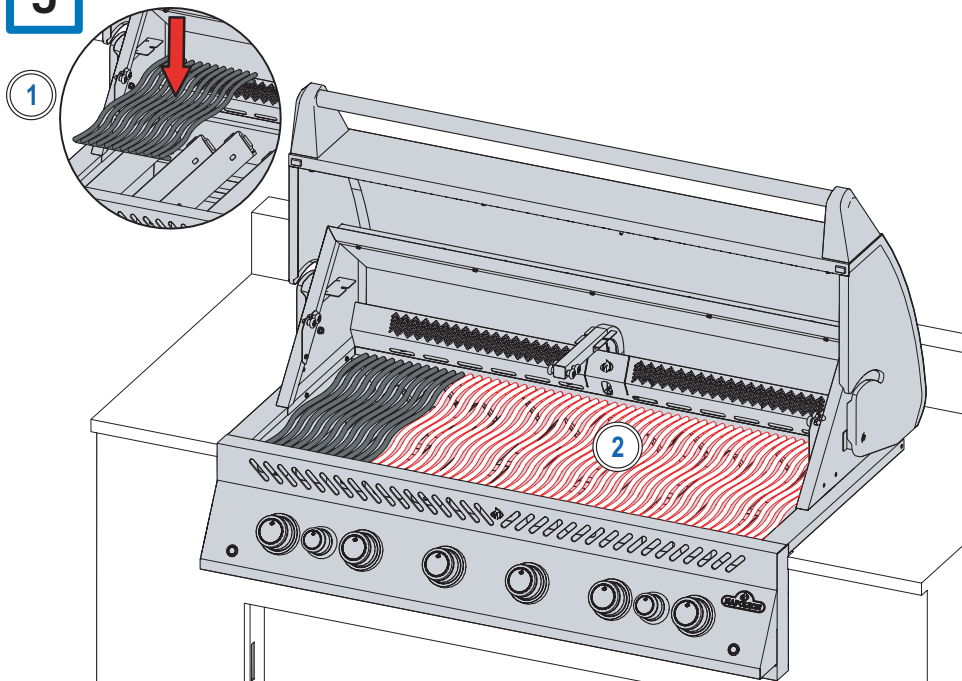


4

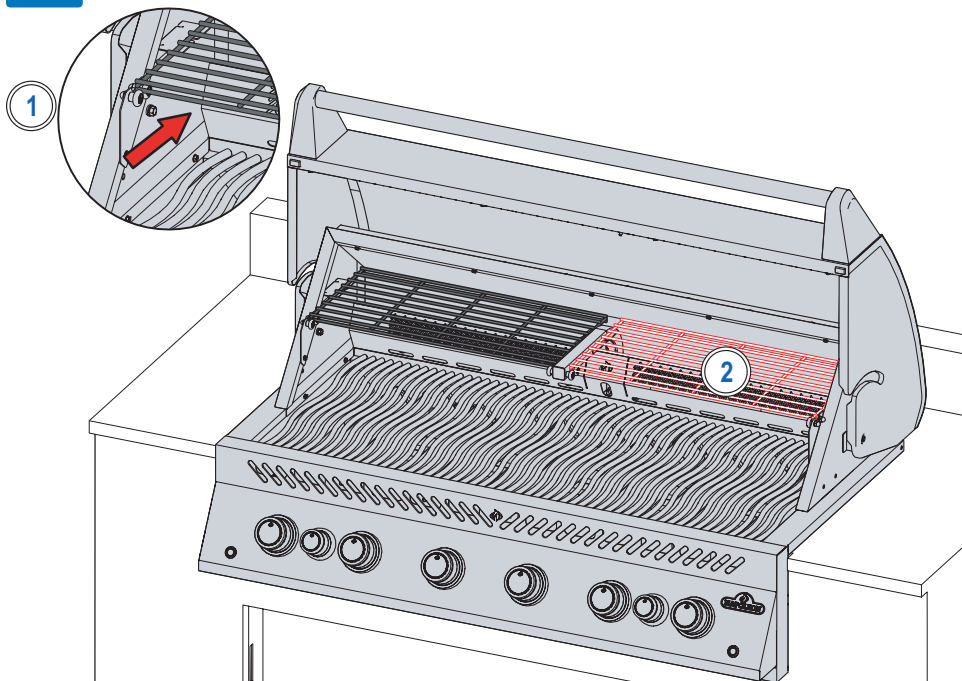




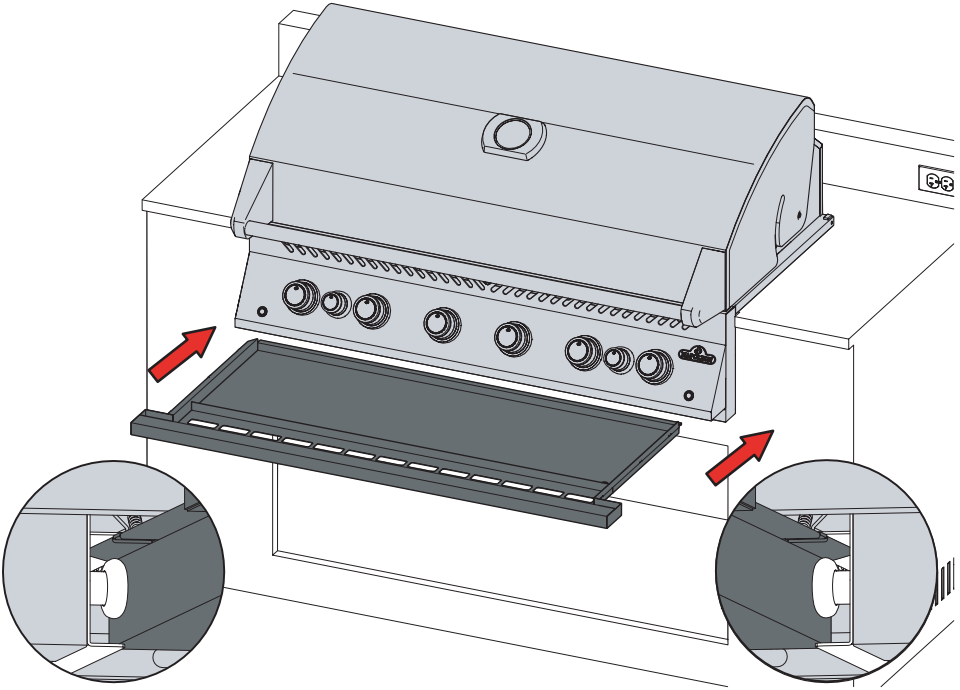
5



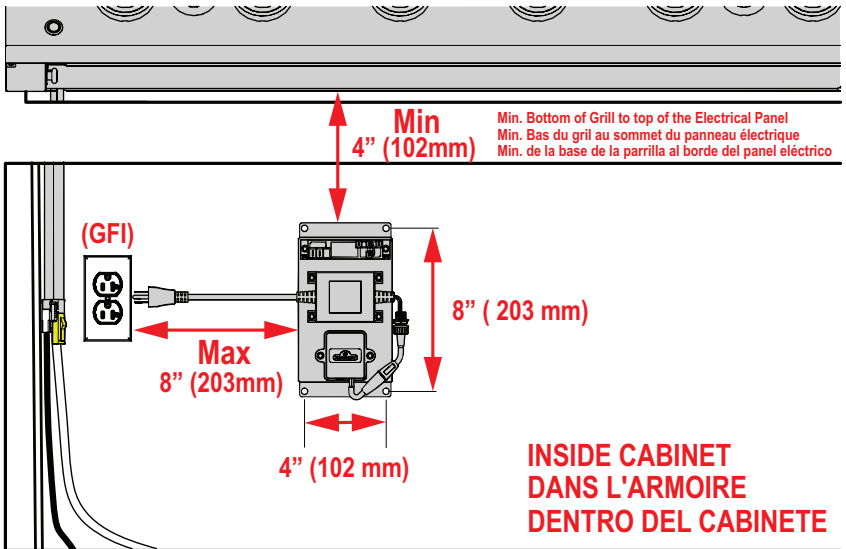
6



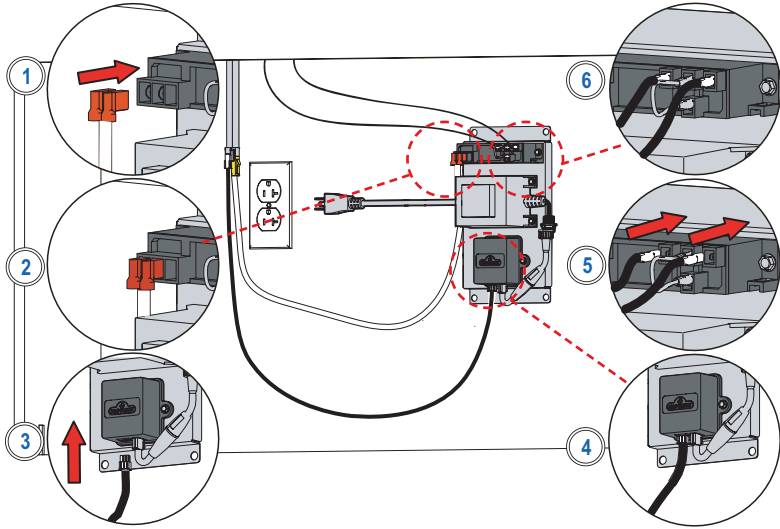
7



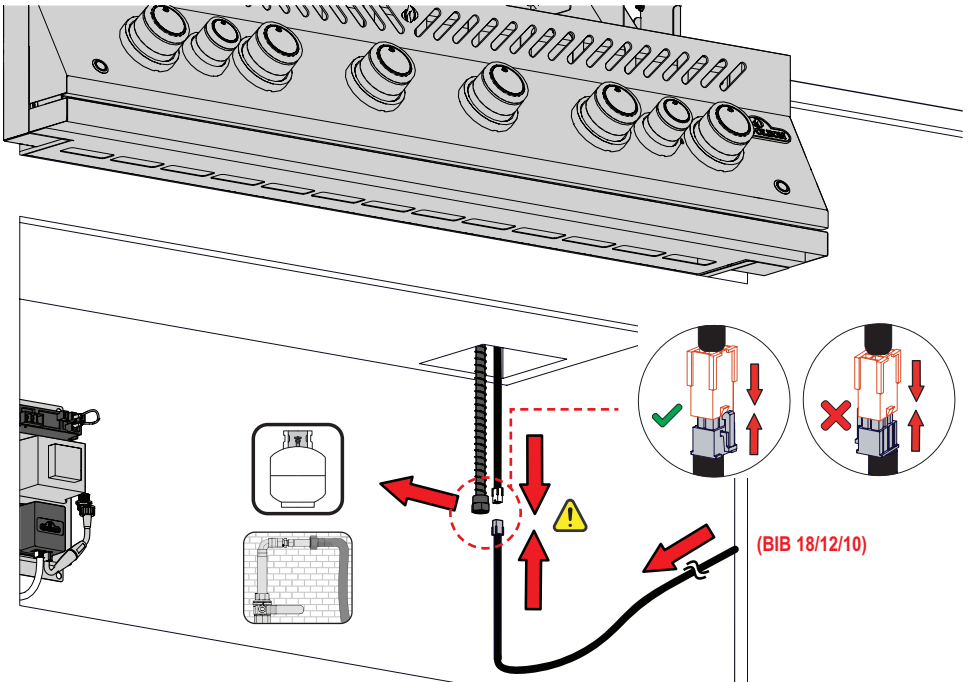
8



9

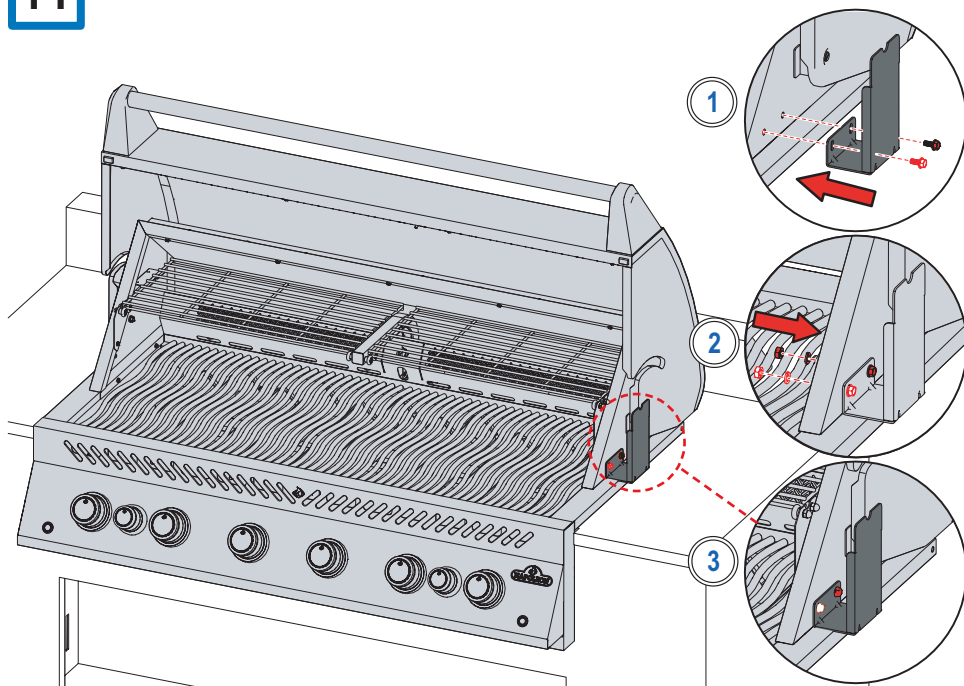


10

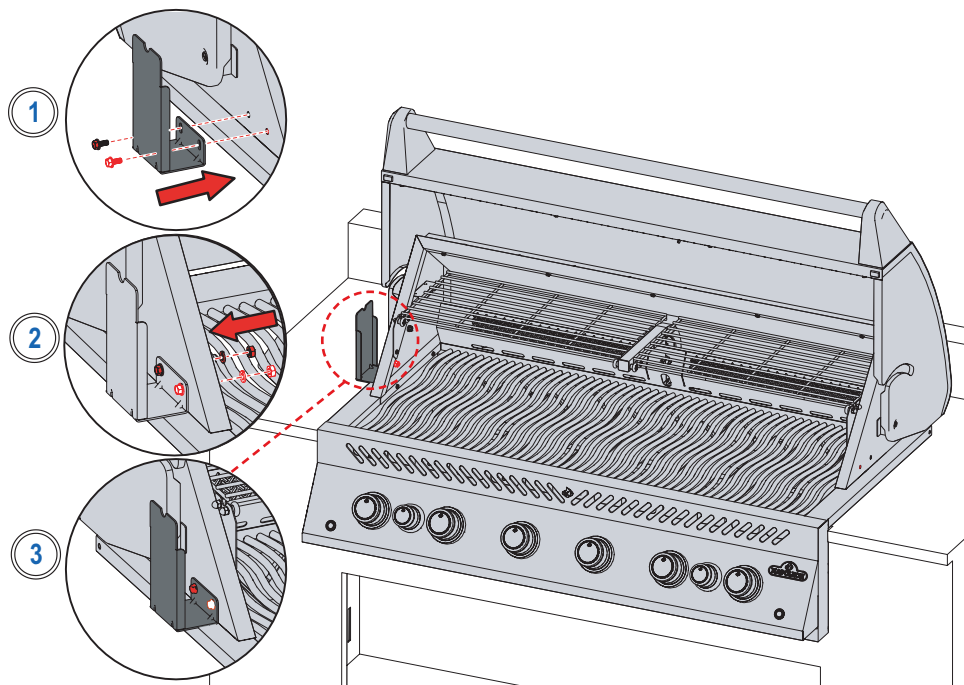




11



OR / OU / Ó

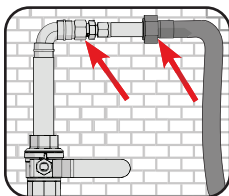
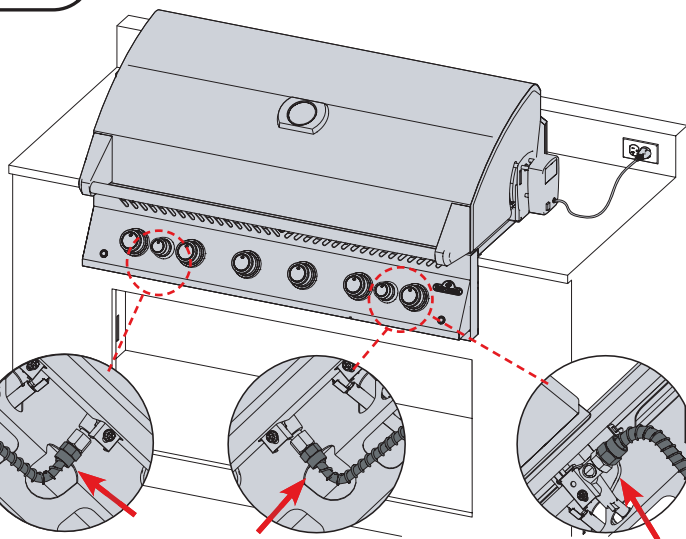
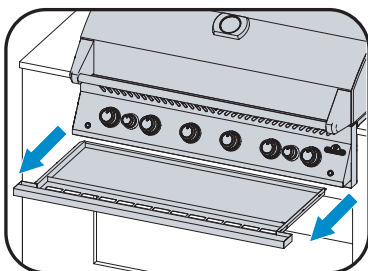
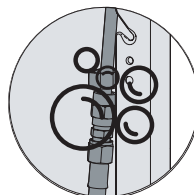
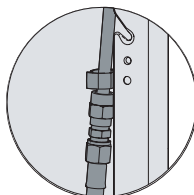


14





12



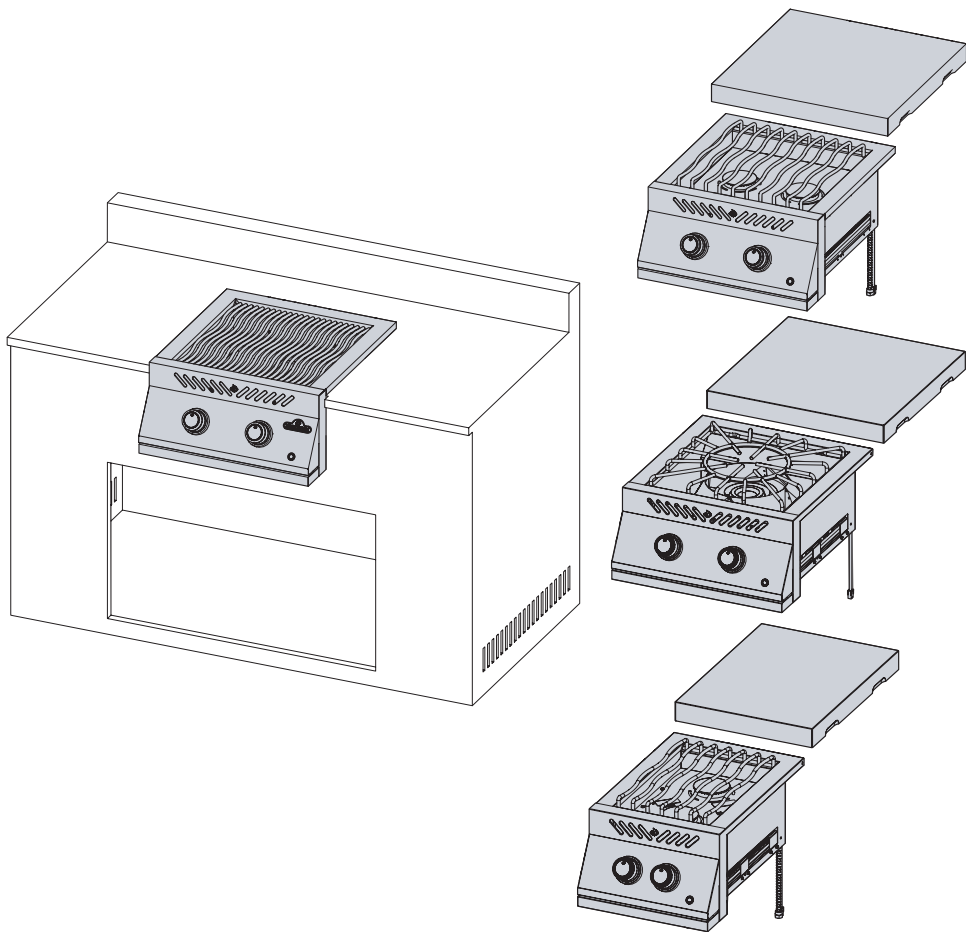


**BIB12RT**

**BIB18PB**

**BIB18IR**

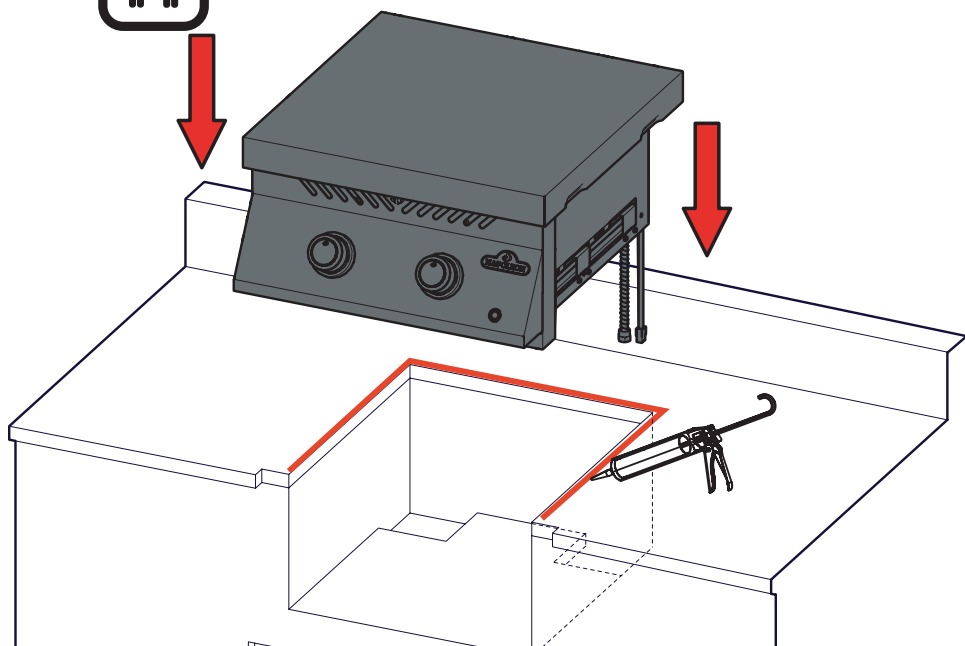
**BIB18RT**



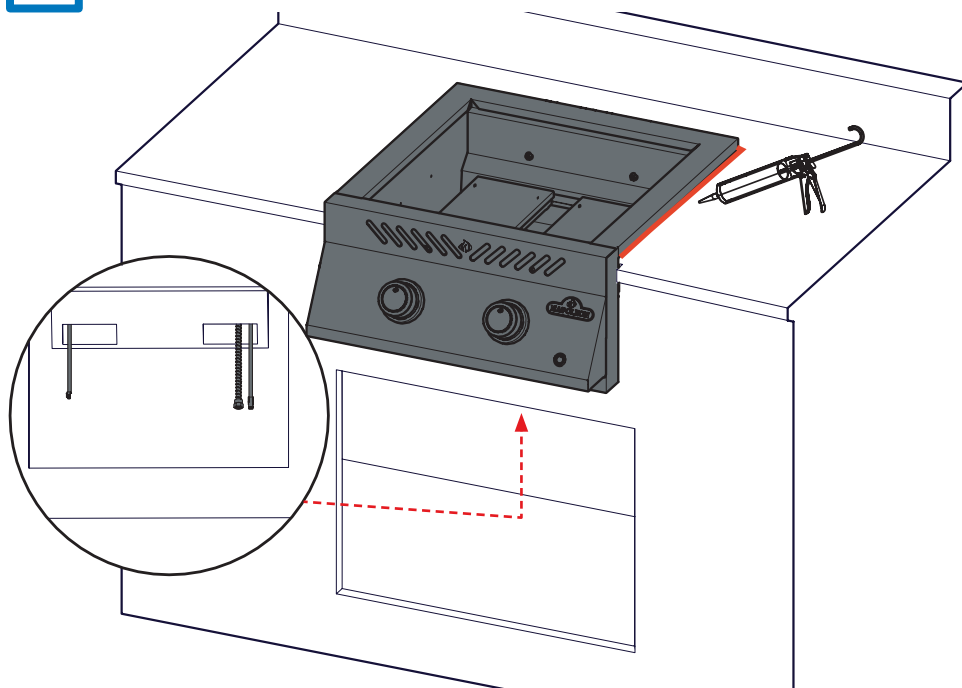




1



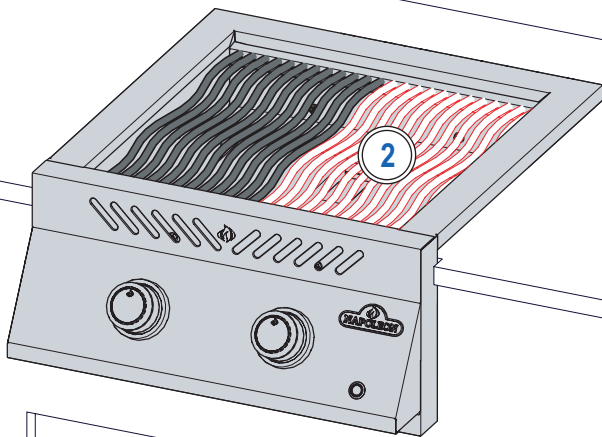
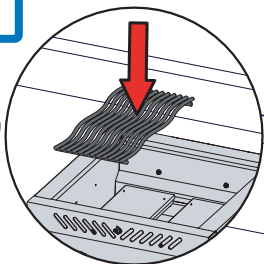
2



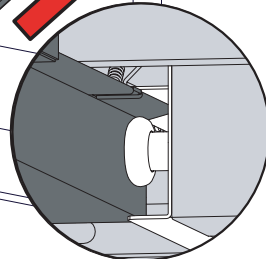
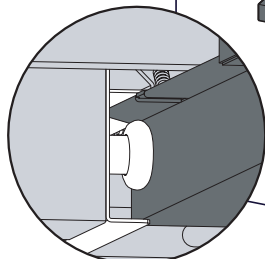
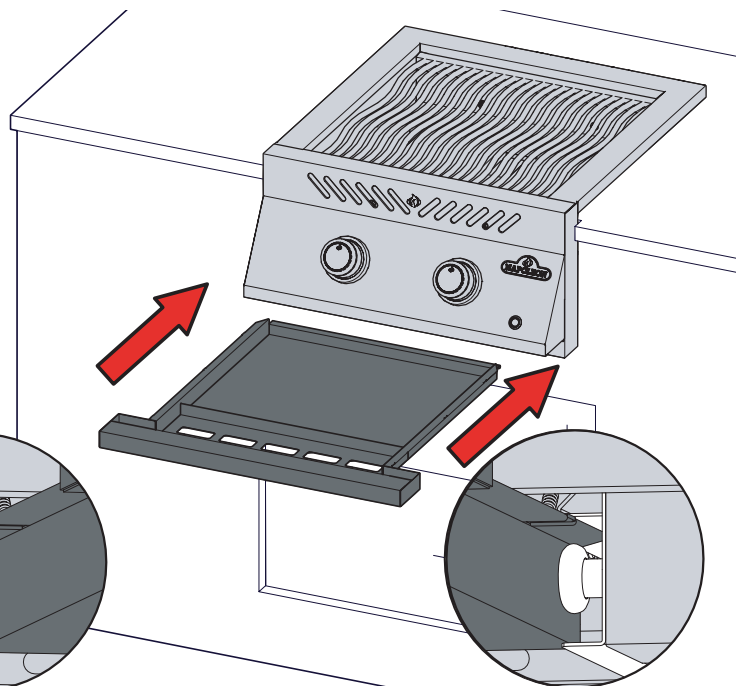


3

1

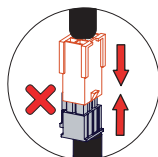
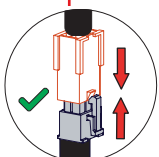
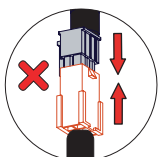
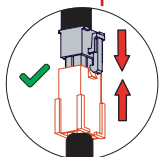
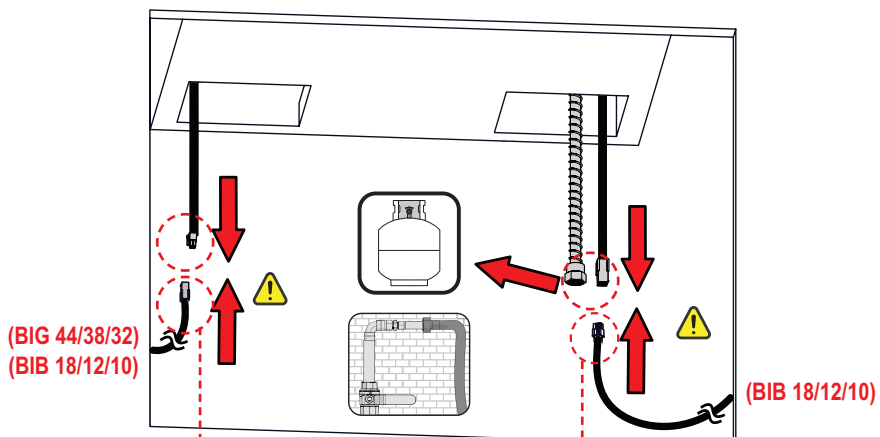
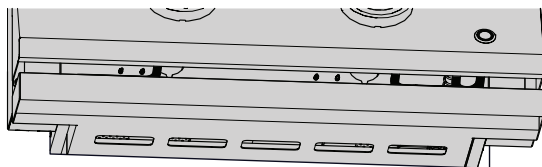


4



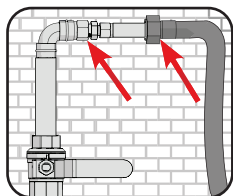
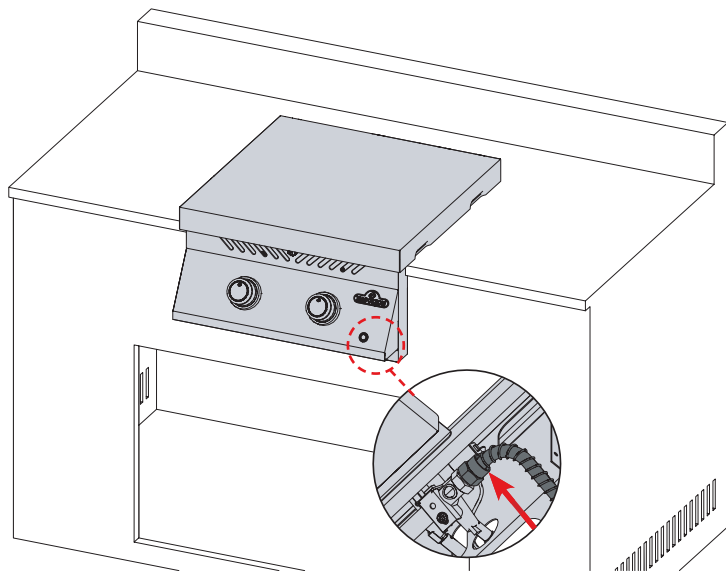
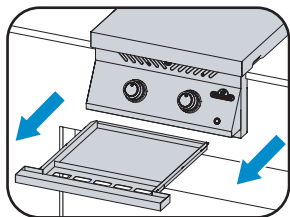
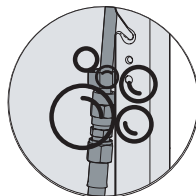
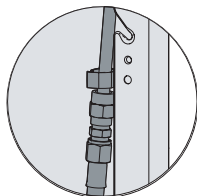


5





6

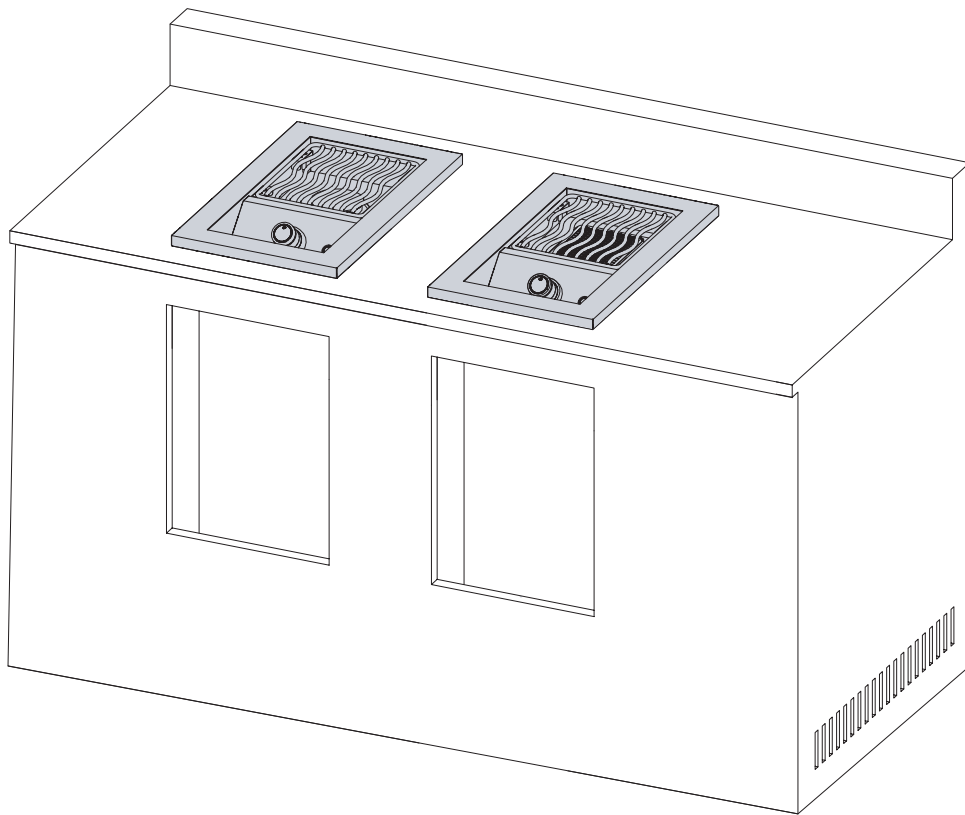




7

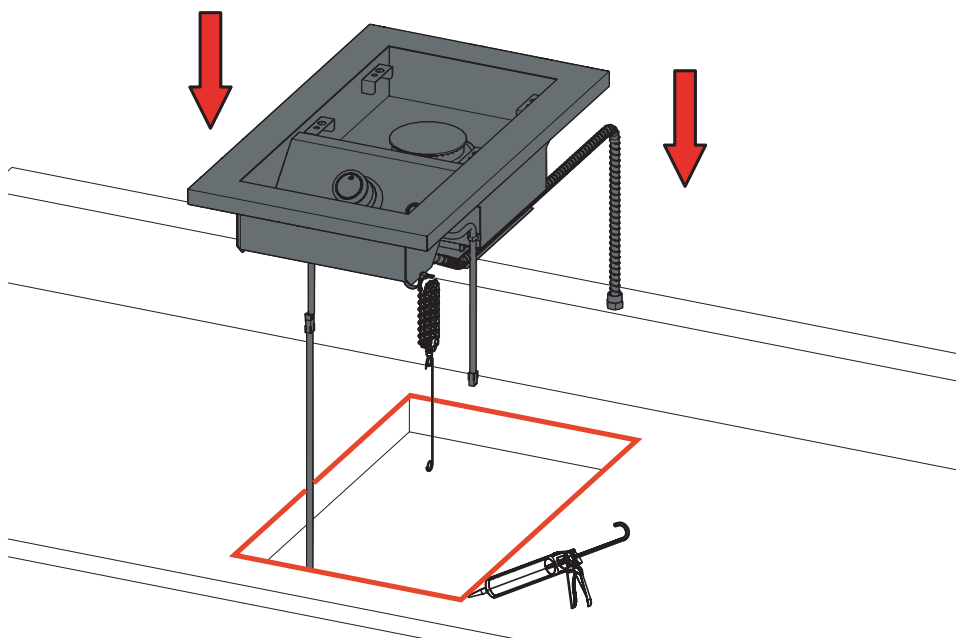
BIB 10 RT

BIB 10 IR

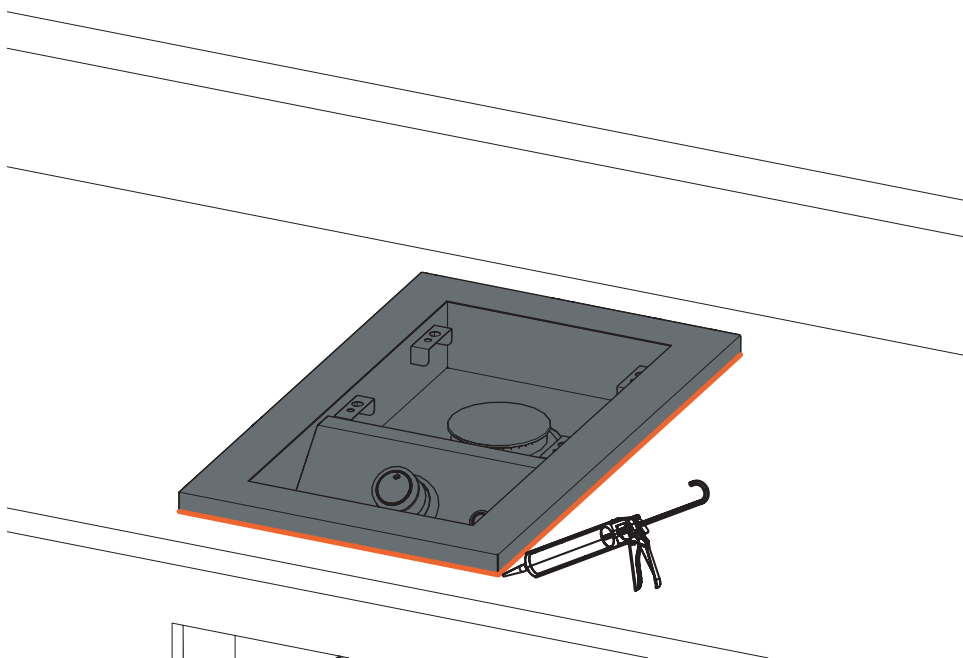




1

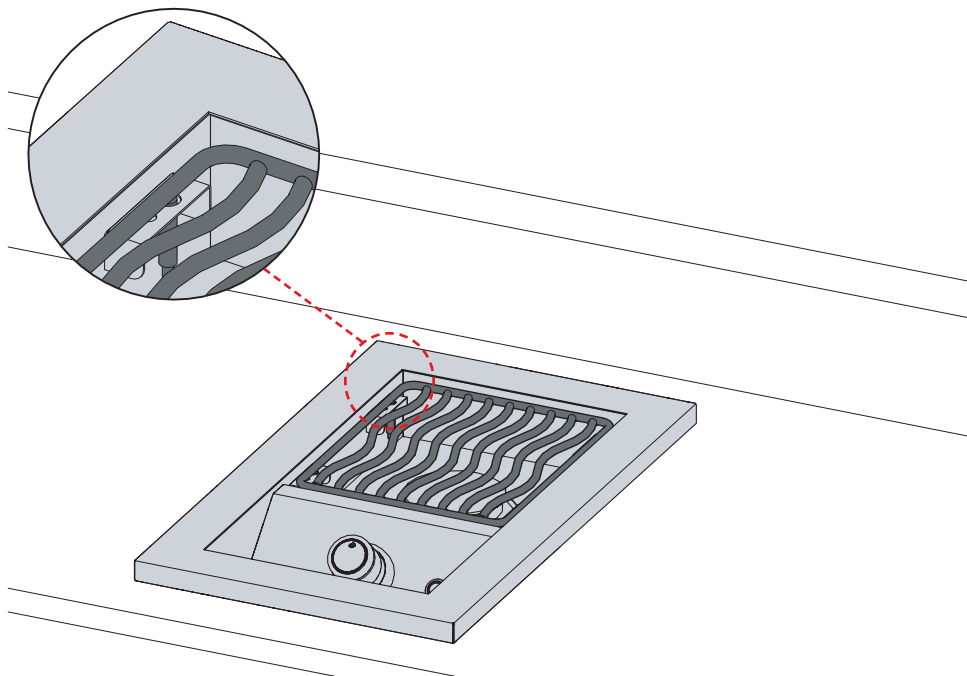
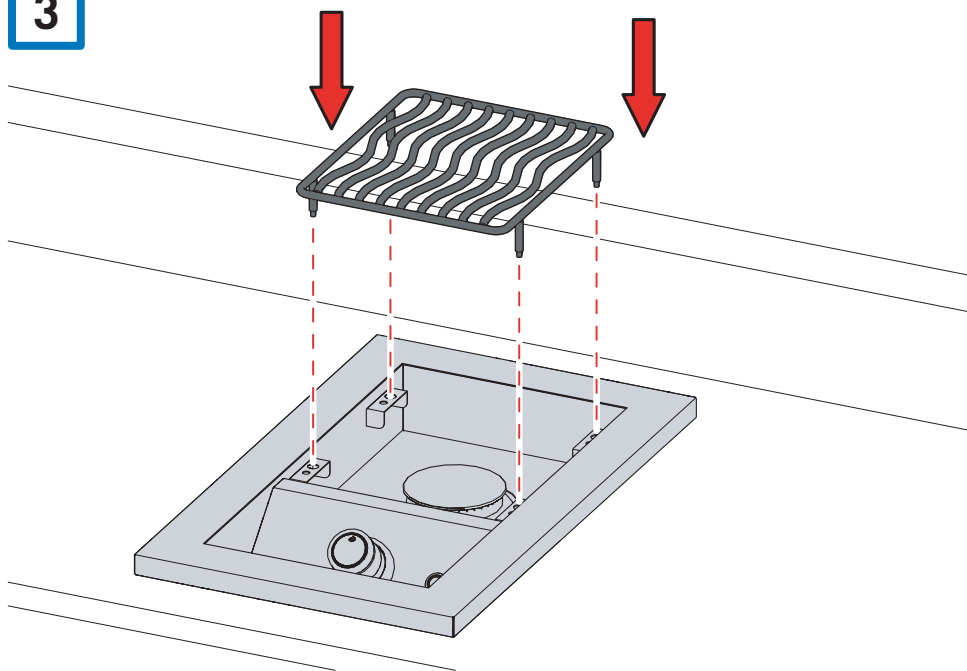


2



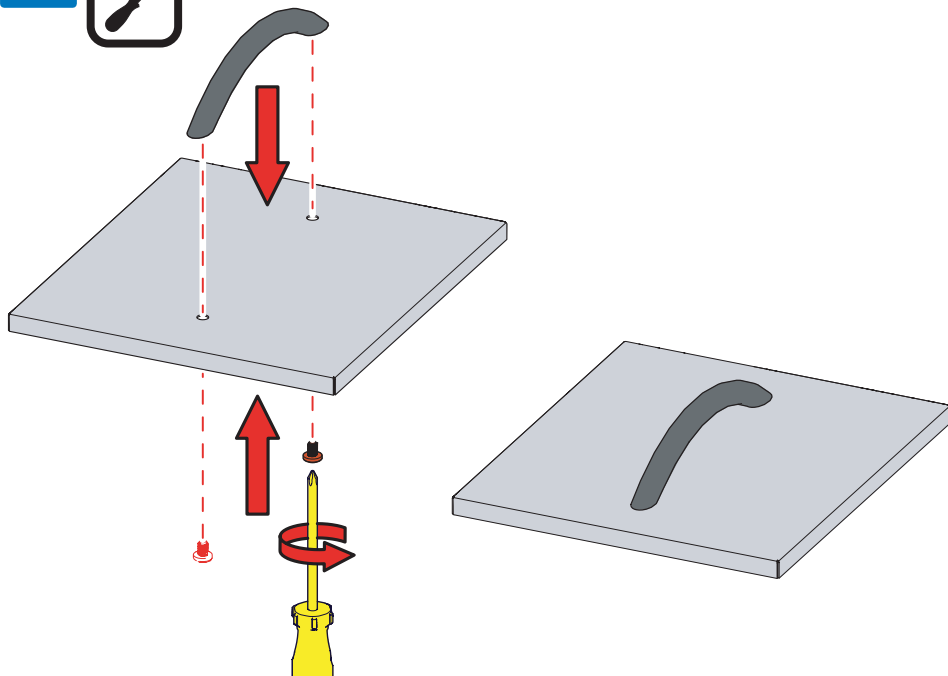


3

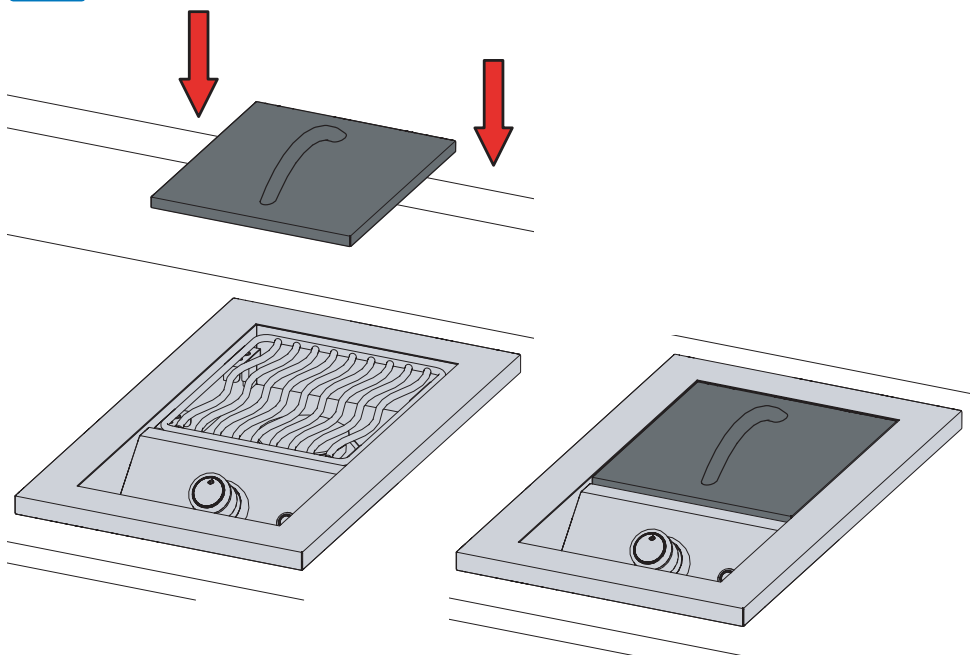




4

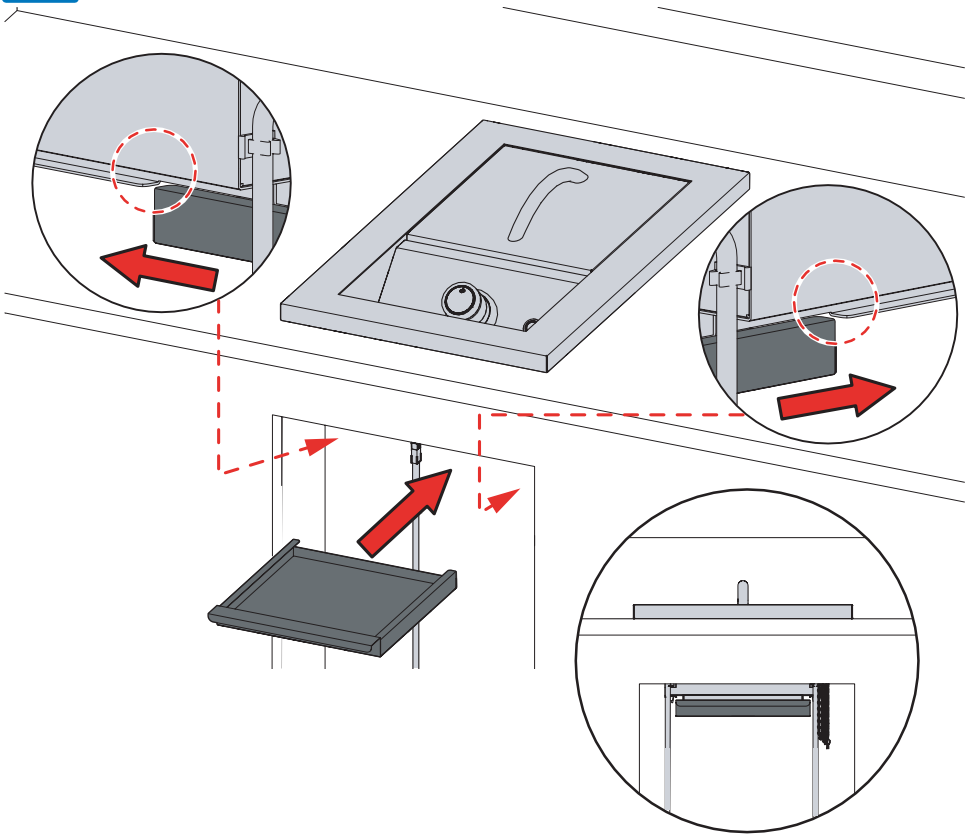


5

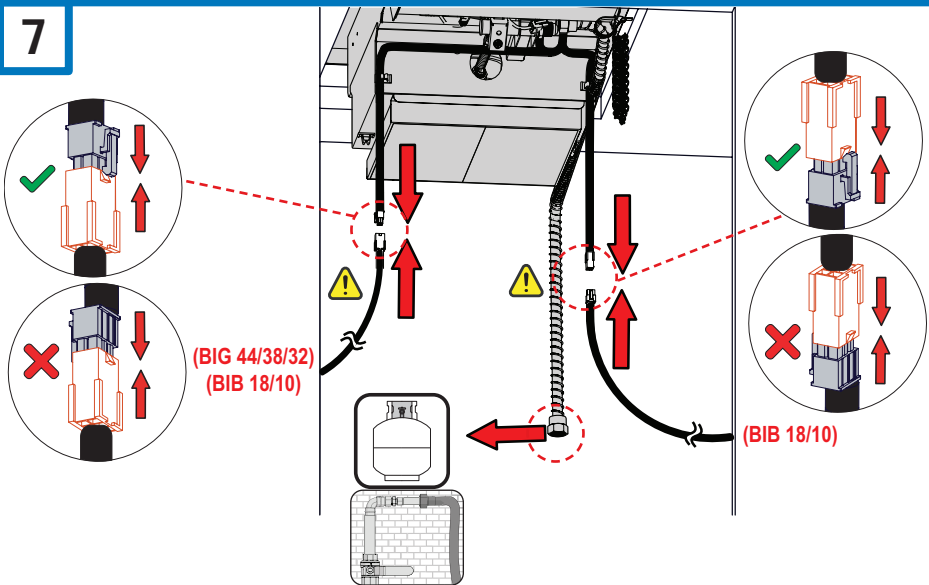




6

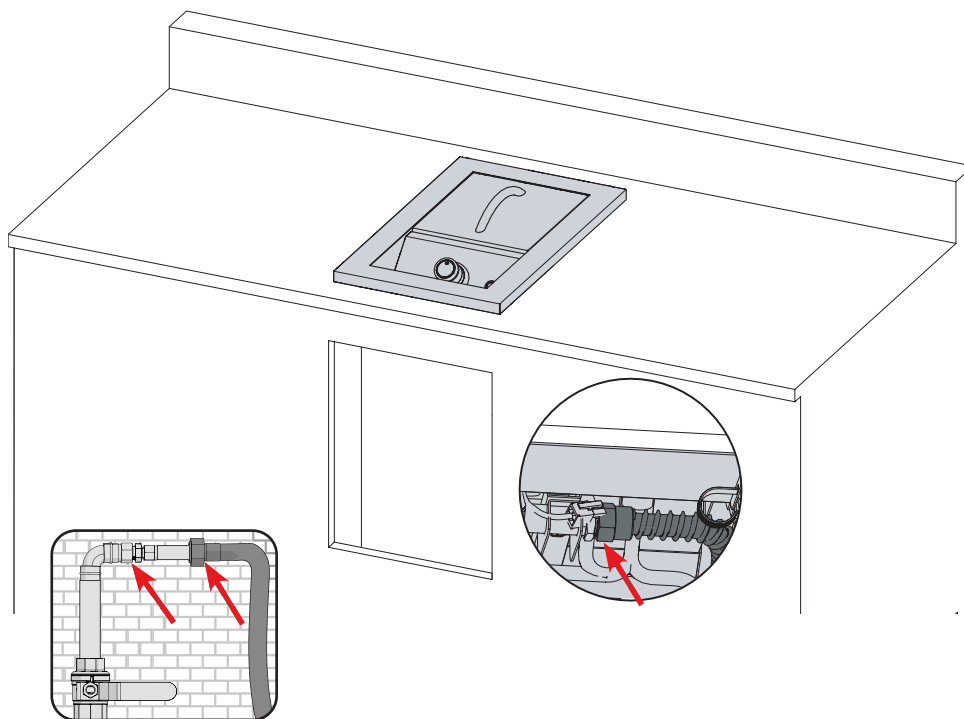
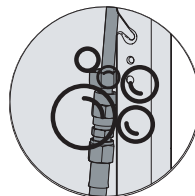
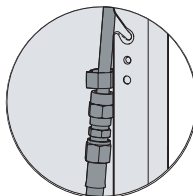


7





8



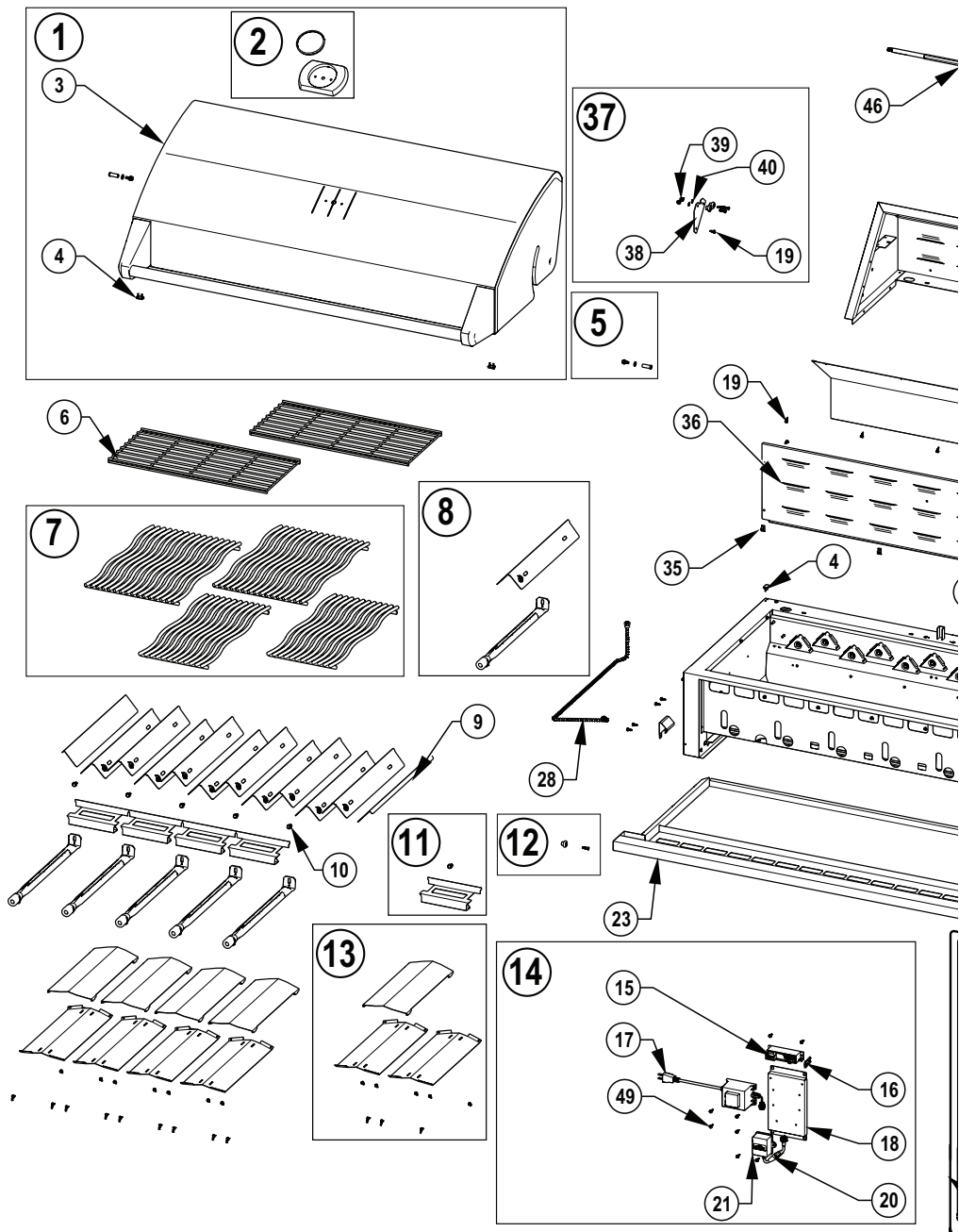


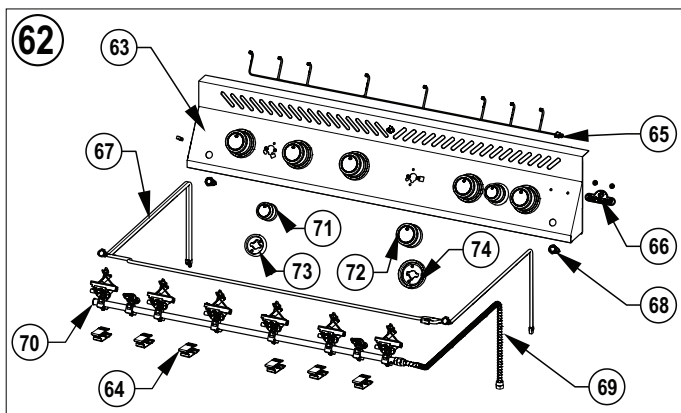
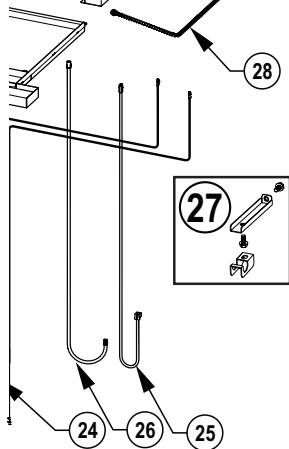
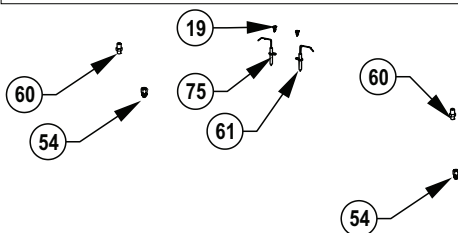
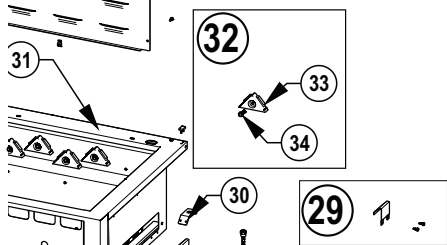
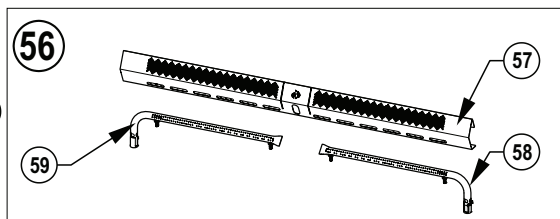
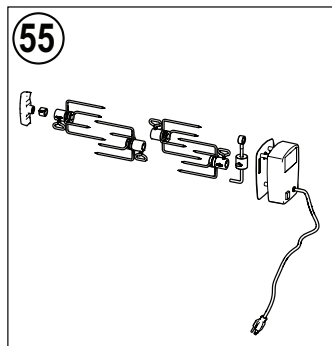
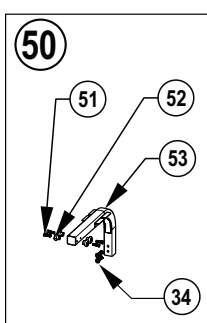
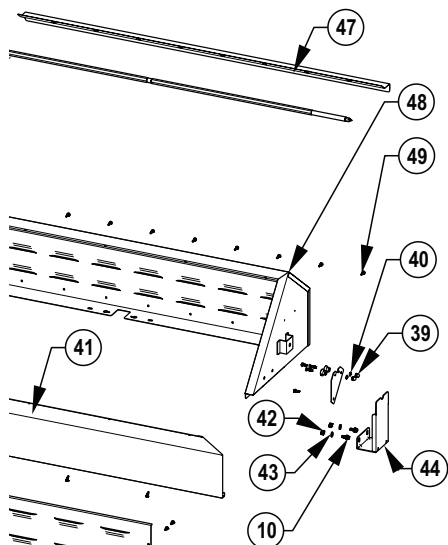


BIG 32

BIG 38

BIG 44





	Part #	BIG32	BIG38	BIG44
1	N010-1337	x		
	N010-1338		x	
	N010-1339			x
2	S91009	x	x	x
3	N010-1340	x		
	N010-1341		x	
	N010-1342			x
4	N510-0013	x	x	x
5	N370-1026-SER	x	x	x
6	N520-0052	x		
	N520-0053		x	
	N520-0054			x
7	S83028	x		
	S83029		x	
	S83030			x
8	S87019	x	x	x
9	N305-0119		x	x
	N305-0122	x		
10	N570-0038	x	x	x
11	S87018	x	x	x
12	N370-1021-SER	x	x	x
13	N370-1030-SER	x	x	x
14	N370-1016-SER	x	x	x
15	N357-0022	x	x	x
16	N750-0034	x	x	x
17	N707-0019	x	x	x
18	N475-0532	x	x	x
19	N570-0008	x	x	x
20	N750-0086	x	x	x
21	N190-0007	x	x	x
23	N010-1329	x		
	N010-1330		x	
	N010-1331			x
24	N750-0038	x	x	x
25	N750-0088	x	x	x
26	N750-0087	x	x	x
27	N010-1387-SER	x	x	x
28	N720-0084	x	x	
	N720-0082			x
29	N080-0462-SER	x	x	x
30	N080-0458	x	x	x
31	N010-1317-SER	x		
	N010-1318-SER		x	
	N010-1319-SER			x
32	N370-0822	x	x	x
33	N080-0405	x	x	x
34	N570-0087	x	x	x
35	N370-1027-SER	x	x	x
36	N035-0171	x		
	N035-0172		x	

	Part #	BIG32	BIG38	BIG44
	N035-0173			x
37	N370-1031-SER	x	x	x
38	N080-0459	x	x	x
39	N450-0052	x	x	x
40	N735-0010	x	x	x
41	N585-0153-BK2GL	x		
	N585-0154-BK2GL		x	
	N585-0155-BK2GL			x
42	N450-0008	x	x	x
43	N735-0003	x	x	x
44	N475-0509	x	x	x
46	N555-0098	x	x	
	N555-0099	x		
	N555-0100		x	
	N555-0101			x
	N555-0105			x
47	N215-0022	x		
	N215-0023		x	
	N215-0024			x
48	N010-1334	x		
	N010-1335		x	
	N010-1336			x
49	N570-0013	x	x	x
50	N370-1022-SER			x
51	N570-0134	x	x	x
52	N045-0001	x	x	x
53	N010-1369			x
54	N255-0071	x	x	x
55	N370-1002	x	x	
	N370-1003			x
56	N370-1039-SER	x	x	
	N370-1040-SER			x
57	N350-0069	x	x	
	N350-0090			x
58	N100-0045	x	x	x
59	N100-0063			x
60	W456-0050	n	n	n
	N455-0055	p	p	p
61	N240-0034	x	x	x
62	N010-1381-SER	n		
	N010-1382-SER	p		
	N010-1383-SER		n	
	N010-1384-SER		p	
	N010-1385-SER			n
	N010-1386-SER			p
63	N475-0511	x		
	N475-0512		x	
	N475-0513			x
64	N160-0048	x	x	x
65	N750-0090	x		



	Part #	BIG32	BIG38	BIG44
	N750-0092		x	
	N750-0094			x
66	N385-0307-SER	x	x	x
67	N750-0089	x		
	N750-0091		x	
	N750-0093			x
68	N660-0005	x	x	x
69	N720-0070	x	x	x
70	N010-1343	p		
	N010-1344	n		
	N010-1345		p	
	N010-1346		n	
	N010-1347			p
	N010-1348			n
71	N380-0034-CL	x	x	x
72	N380-0035-CL	x	x	x
73	N010-1314	x	x	x
74	N010-1313	x	x	x
75	N240-0044			x
	BI-3623-ZCL	ac		
	BI-4223-ZCL		ac	
	BI-4823-ZCL			ac
	61830	ac		
	61836		ac	
	61842			ac
	69851			ac

x- standard part  
p- propane  
n- naturel  
ac- accessoire

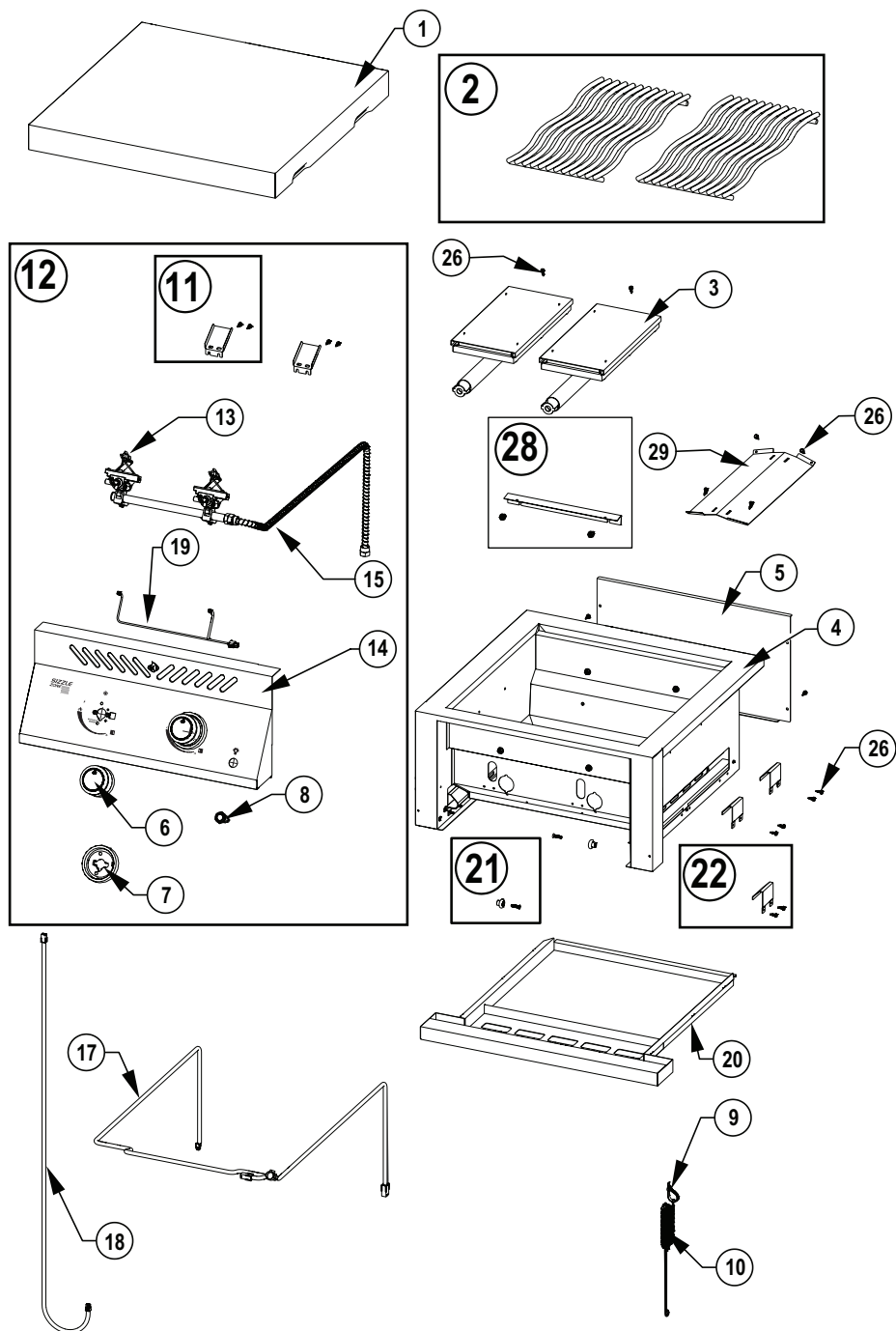
x- standard  
p- propane  
n- gaz naturel  
ac- accessoire

x- standard  
p- propano  
n- gas natural  
ac- accesorio



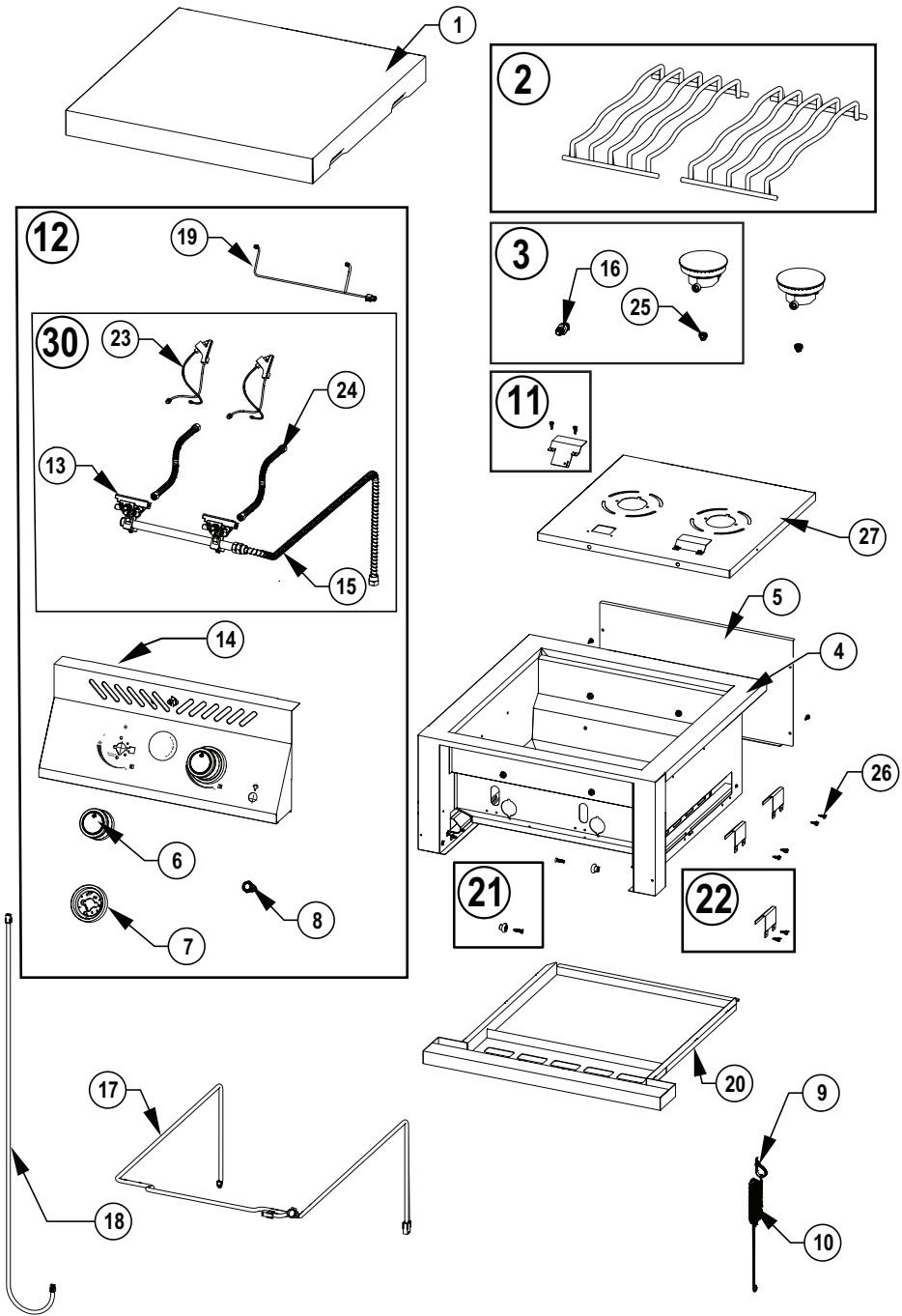


# BIB 18 IR



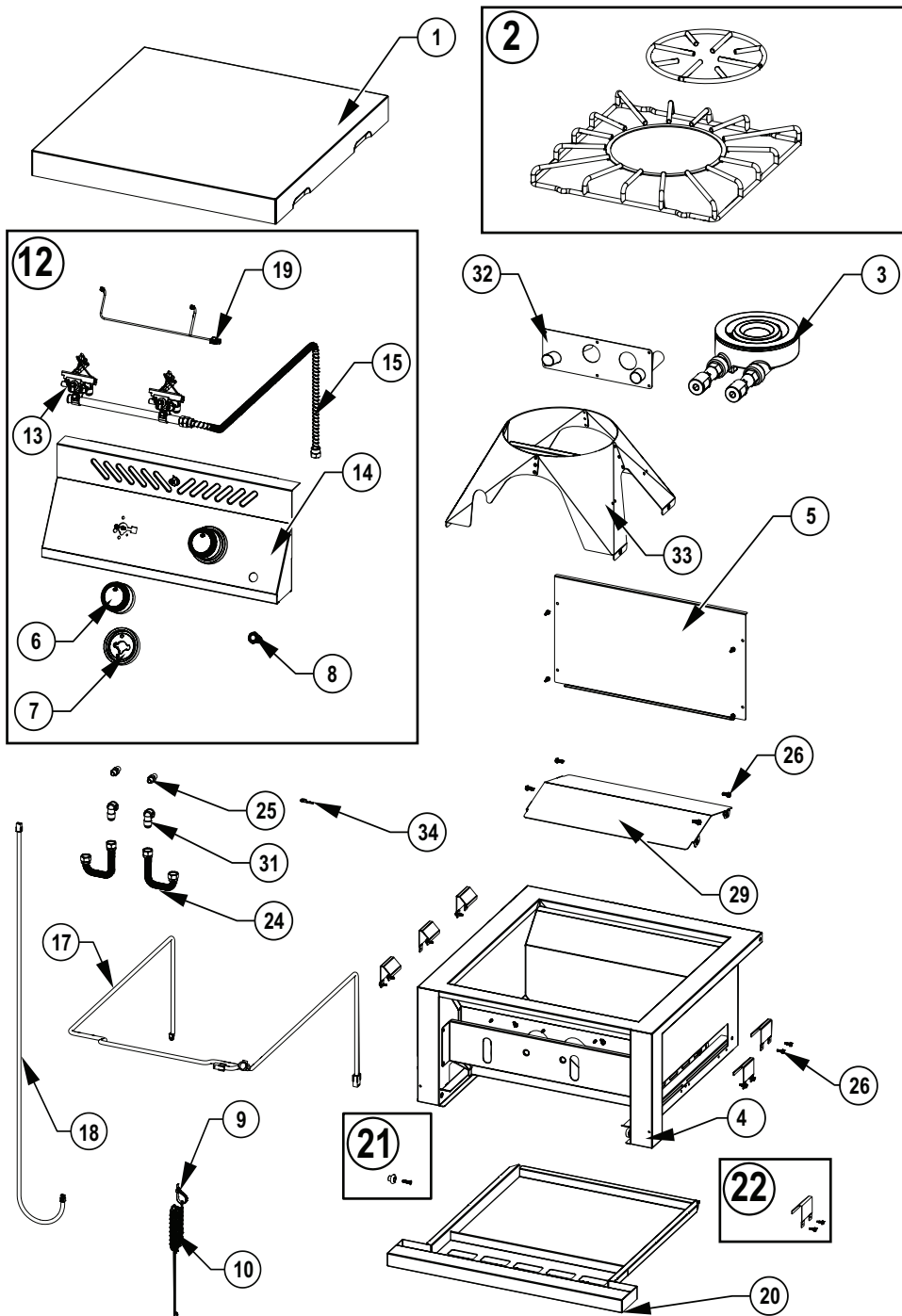


# BIB 18 RT





# BIB 18 PB



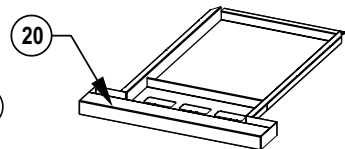
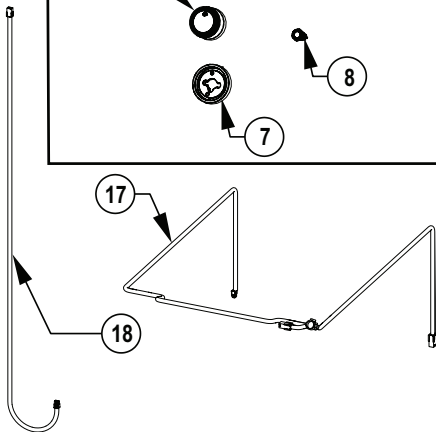
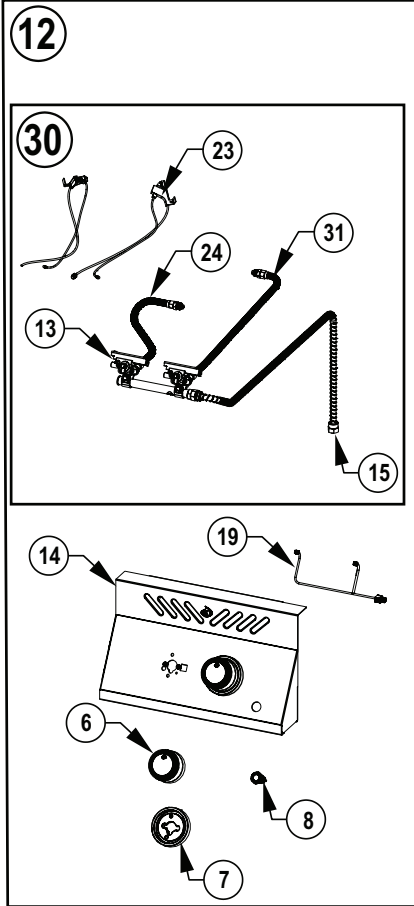
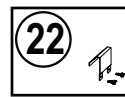
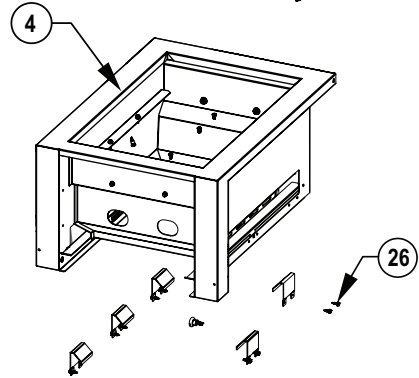
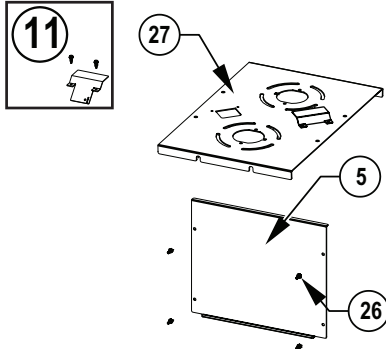
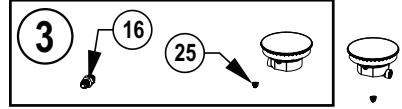
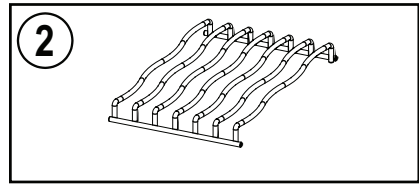
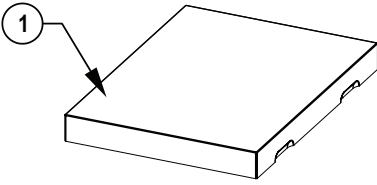
	Part #	BIB18IR	BIB18RT	BIB18PB
1	N335-0137	x	x	x
2	S83033	x		
	S83032		x	
	S83034			x
3	N010-0897	x		
	S81010		n	
	S81011		p	
	N100-0064			x
4	N010-1323	x		
	N010-1396		x	
	N010-1320			x
5	N035-0165	x	x	x
6	N380-0035-CL	x	x	x
7	N010-1313	x	x	x
8	N660-0005	x	x	x
9	N640-0006	x	x	x
10	N555-0097	x	x	x
11	N080-0450-SER	x		
	N080-0451-SER		x	
12	N010-1391-SER		n	
	N010-1392-SER		p	
	N010-1393-SER	n		
	N010-1394-SER	p		
	N010-1481-SER			n
	N010-1482-SER			p
13	N010-1352		n	
	N010-1351		p	
	N010-1350	n		
	N010-1349	p		
	N010-1446			n
	N010-1447			p
14	N475-0514	x		
	N475-0510		x	
	N475-0516			x
15	N720-0070	x	x	x
16	N255-0069		x	
17	N750-0095	x	x	x
18	N750-0087	x	x	x
19	N750-0096	x	x	x
20	N010-1332	x	x	x
21	N370-1021-SER	x	x	x
22	N080-0462-SER	x	x	x
23	N357-0025		p	
	N357-0026		n	
24	N720-0083		x	
	N720-0086			x
25	N455-0108		n	
	N455-0107		p	
	N455-0117			n
	N455-0118			n
	N455-0119			p
	N455-0120			p
26	N570-0008	x	x	x
27	N035-0156		x	
28	N655-0214-SER	x		
29	N585-0162	x		
	N585-0161			x
30	N370-1028-SER		n	
	N370-1029-SER		p	
31	W255-0004			x
32	N010-1448			x
33	N010-1333			x
34	N485-0012			x
	BI-2423-ZCL	ac	ac	ac

x- standard part  
p- propane  
n- natural  
ac- accessory

x- standard  
p- propano  
n- gaz naturel  
ac- accessoire

x- standard  
p- propano  
n- gas natural  
ac- accesorio

# BIB 12RT





	Part #	BIB12RT
1	N335-0145	x
2	S83035	x
3	S81010	n
	S81011	p
4	N010-1449	x
5	N035-0179	x
6	N380-0035-CL	x
7	N010-1313	x
8	N660-0005	x
9	N640-0006	x
10	N555-0097	x
11	N080-0451-SER	x
12	N010-1483-SER	n
	N010-1484-SER	p
13	N010-1451	n
	N010-1452	p
14	N475-0573	x
15	N720-0070	x
16	N255-0069	x
17	N750-0104	x
18	N750-0087	x
19	N750-0105	x
20	N010-1453	x
21	N370-1021-SER	x
22	N080-0462-SER	x
23	N357-0028	n
	N357-0029	p
24	N720-0083	x
25	N455-0108	n
	N455-0107	p
26	N570-0008	x
27	N035-0180	x
30	N370-1065-SER	n
	N370-1066-SER	p
31	N720-0060	x
	BI-1823-ZCL	ac

x- standard part  
p- propane  
n- natural  
ac- accessory

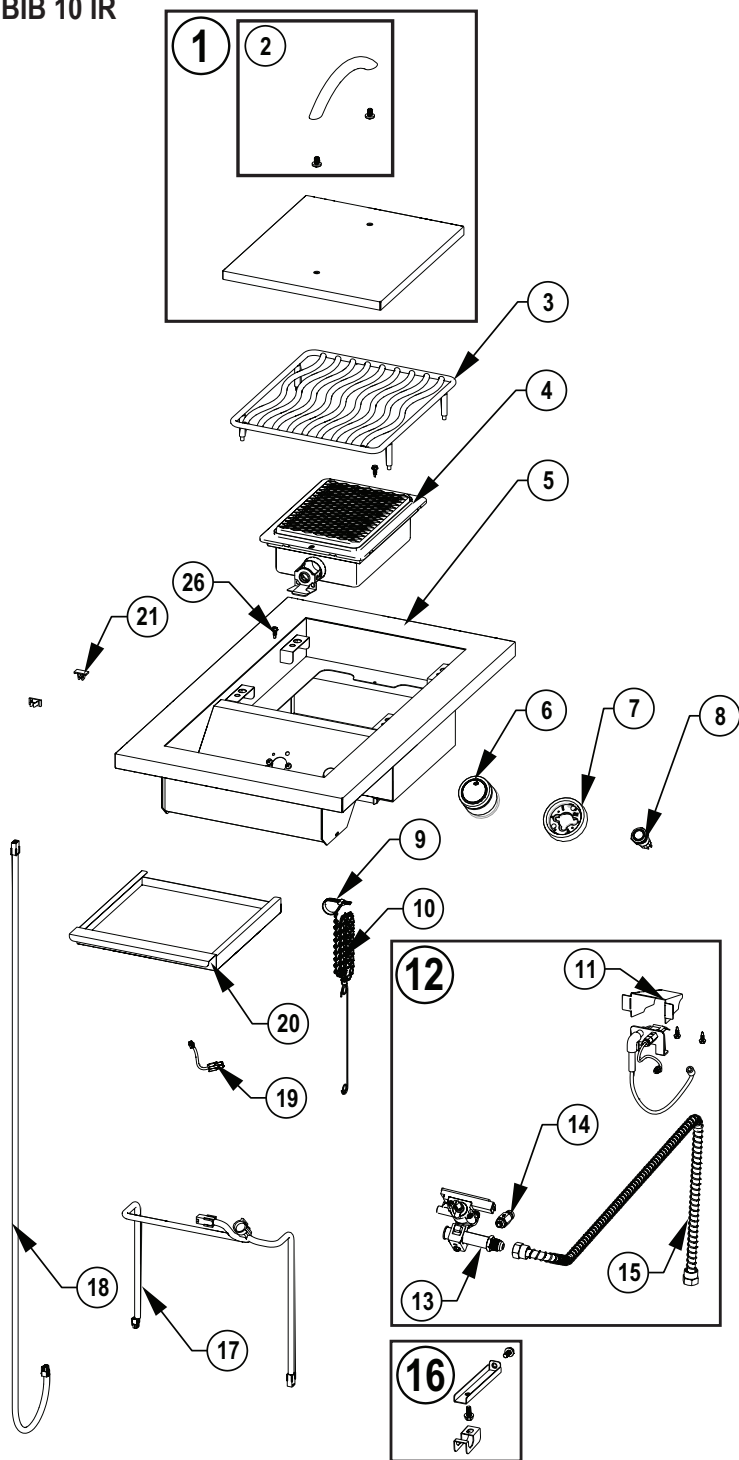
x- standard  
p- propane  
n- gaz naturel  
ac- accessoire

x- standard  
p- propano  
n- gas natural  
ac- accessorio

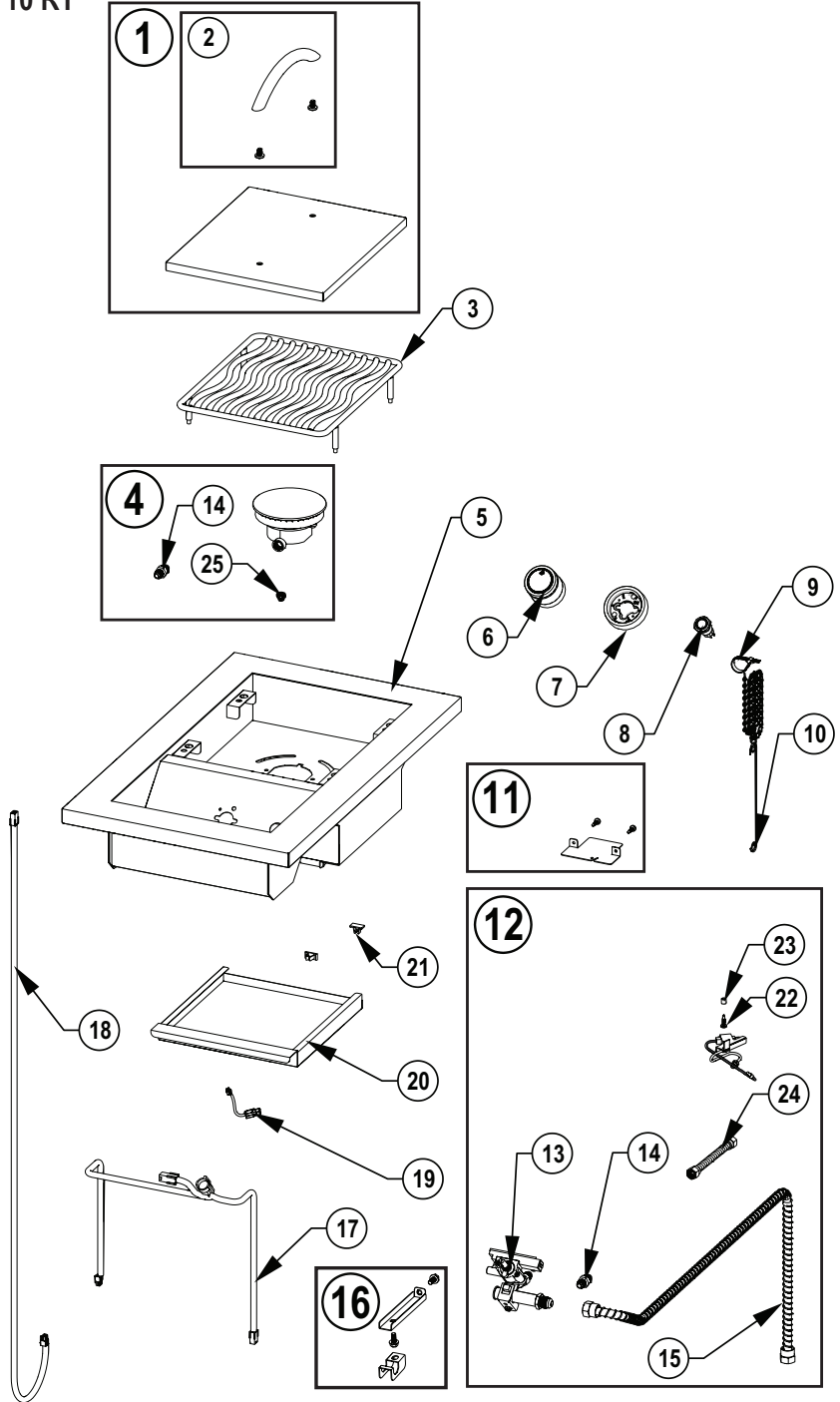




# BIB 10 IR



# BIB 10 RT



	Part #	BIB10IR	BIB10RT
1	N010-1380	x	x
2	N325-0049-SER	x	x
3	S83031	x	x
4	S81004	x	
	S81008		n
	S81009		p
5	N010-1322	x	x
6	N380-0034-CL	x	x
7	N010-1314	x	x
8	N660-0005	x	x
9	N640-0006	x	x
10	N555-0097	x	x
11	N215-0025	x	
	N080-0454-SER		x
12	N370-1032-SER		n
	N370-1033-SER		p
	N370-1034-SER	n	
	N370-1035-SER	p	
13	N010-1356		n
	N010-1355		p
	N010-1354	n	
	N010-1353	p	
14	N255-0069		x
	N455-0115	n	
	N455-0116	p	
15	N720-0070	x	x
16	N010-1387-SER	x	x
17	N750-0099	x	x
18	N750-0087	x	x
19	N750-0100	x	x
20	N710-0130	x	x
21	N370-1027-SER	x	x
22	N570-0013		x
23	W615-0043		x
24	N720-0085		x
25	N455-0106		n
	N455-0105		p
26	N570-0008	x	

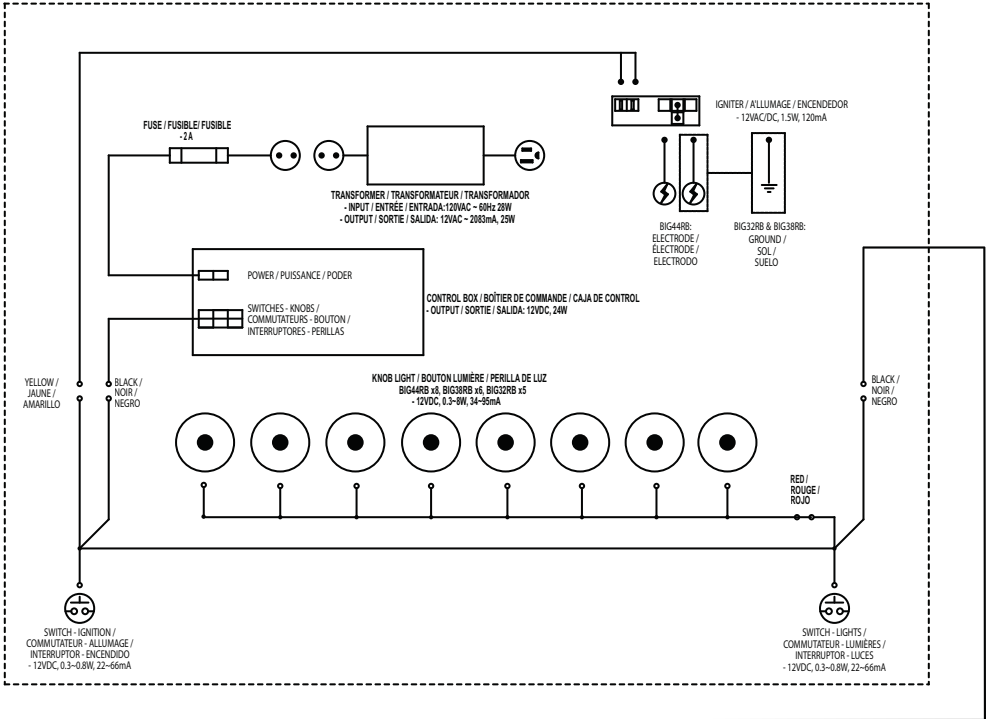
x- standard part  
 p- propane  
 n- natural  
 ac- accessory

x- standard  
 p- propane  
 n- gaz naturel  
 ac- accessoire

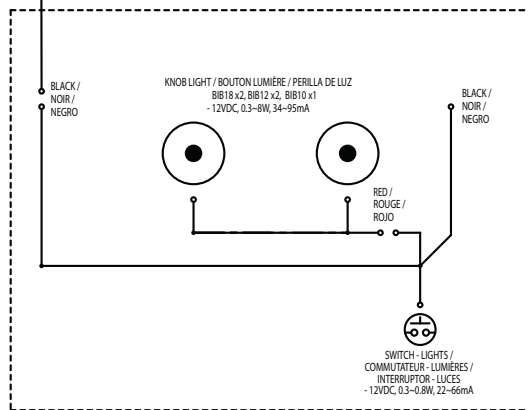
x- standard  
 p- propano  
 n- gas natural  
 ac- accessorio



## BIG44RB, BIG38RB, BIG32RB



## BIB18, BIB12, BIB10





# Notes

Lined area for taking notes, consisting of multiple horizontal blue lines.





# Notes

A series of horizontal blue lines provided for writing notes.





Napoleon products are protected by one or more U.S. and Canadian and/or foreign patents or patents pending.

Les produits de Napoleon sont protégés par un ou plusieurs brevets américains, canadiens et (ou) étrangers au par des brevets en instance.

Los productos Napoleon están protegidos por una o más patentes o patentes pendientes en E.U., Canadá y/o otros países.



**PHONE:**  
1-866-820-8686



**EMAIL**  
grills@napoleon.com



**ONLINE**  
www.napoleon.com



**WOLF STEEL Ltd.**  
214 Bayview Drive, Barrie  
Ontario, Canada. L4N 4Y8

