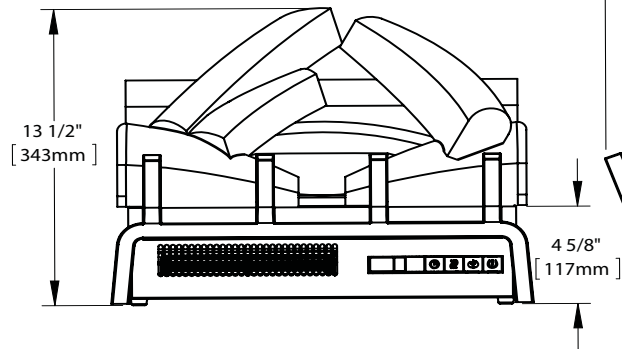
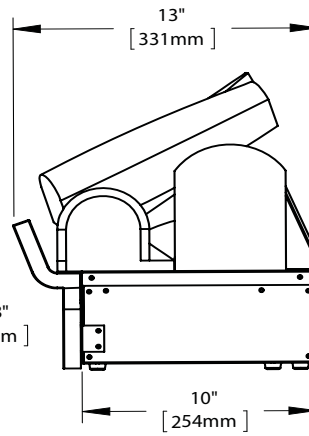


## 1.1 DIMENSIONS

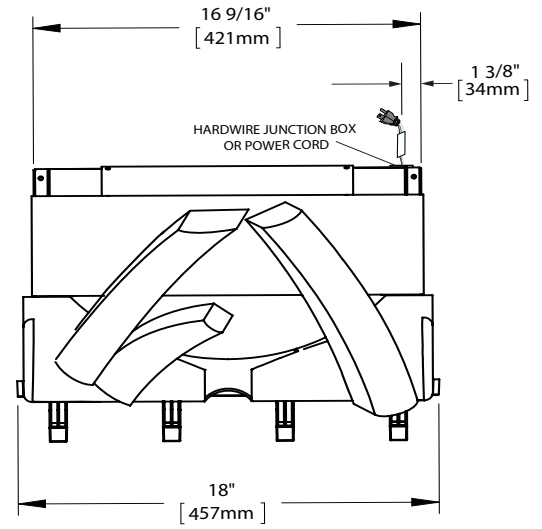
FRONT VIEW



RIGHT SIDE VIEW



TOP VIEW




## 1.2 LISTING APPROVALS

This log set has been tested in accordance with the CSA and UL Standards for fixed and location-dedicated electric room appliances in the United States and Canada. If you need assistance during installation, please contact your local dealer.

**NOTE:** This log set must be electrically wired and grounded in accordance with local codes or, in the absence of local codes, with National Electric Code ANSI/NFPA 70-latest edition in the United States or the Canadian Electric Code, CSA C22.1 in Canada.

|                         |                            |
|-------------------------|----------------------------|
| <b>Model Number</b>     | NEF118H                    |
| <b>Description</b>      | 18" Electric Logset Insert |
| <b>Voltage</b>          | 120V AC                    |
| <b>Watts</b>            | 1500W                      |
| <b>Amps</b>             | 15 AMP Ground-ed Circuit   |
| <b>Appliance Width</b>  | 18" (457mm)                |
| <b>Appliance Height</b> | 13.5" (343mm)              |
| <b>Appliance Depth</b>  | 13" (330mm)                |
| <b>Net Weight</b>       | 22.5lbs (10.2kg)           |
| <b>Gross Weight</b>     | 27.6lbs (12.5kg)           |

## 1.3 GENERAL INSTRUCTIONS

|  |
|--|
|  <b>WARNING</b>   |
| <b>READ THESE INSTRUCTIONS COMPLETELY BEFORE BEGINNING INSTALLATION. FAILURE TO FOLLOW THEM COULD CAUSE AN APPLIANCE MALFUNCTION RESULTING IN SERIOUS INJURY AND/OR PROPERTY DAMAGE.</b>   |
| <b>ALL ELECTRIC APPLIANCES HAVE HOT AND ARCING OR SPARKING PARTS INSIDE. DO NOT USE IT IN AREAS WHERE GASOLINE, PAINT OR FLAMMABLE LIQUIDS ARE PRESENT.</b>  |
| <b>THIS ELECTRIC APPLIANCE IS TESTED AND LISTED FOR USE ONLY WITH THE OPTIONAL ACCESSORIES LISTED IN THESE INSTRUCTIONS. USE OF OPTIONAL ACCESSORIES NOT SPECIFICALLY TESTED FOR THIS ELECTRIC APPLIANCE COULD VOID THE WARRANTY AND/OR RESULT IN A SAFETY HAZARD.</b> |
| <b>DO NOT OPEN. RISK OF ELECTRIC SHOCK. NO USER-SERVICEABLE PARTS INSIDE.</b>  |
| <b>DO NOT USE DAMAGED ELECTRICAL CORDS.</b>  |
| <b>SERVICING SHOULD BE DONE ONLY WHILE THE APPLIANCE IS DISCONNECTED FROM THE POWER SUPPLY CIRCUIT.</b>  |
| <b>TO PREVENT ELECTRIC SHOCK MATCH THE WIDE BLADE OF PLUG TO WIDE SLOT OF RECEPTACLE AND FULLY INSERT.</b>   |

- A. Prior to plugging your appliance into an electrical outlet, verify that the house circuit breakers for the outlet are on.
- B. The appliance may emit a slight, harmless odour when first used. This odour is normal and it is caused by the initial heating of internal appliance elements and will not occur again.
- C. If your appliance does not emit heat, consult the operation section of this manual for further information.
- D. Use with a CSA- or UL-certified surge protector.
- E. Do not route the power cord directly underneath the appliance.

This electric appliance meets the construction and safety standards of H.U.D. for application in manufactured homes when installed according to these instructions.

4.8B

As with most electronic devices, your new log set has been designed to operate at temperatures between 5°C (41°F) and 35° C (95°F). During the colder winter months, allow the log set to reach room temperature before turning it on.