

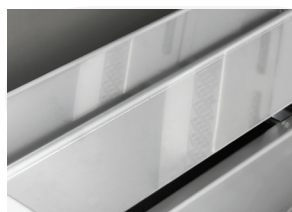
NEW PRODUCT ANNOUNCEMENT

ROGUE R425SBNK | R425SBPK AVAILABLE FOR SHIPPING 2016

ROGUE

Product Features

- 45,000 total BTU'S
- 3 stainless steel 12,000 BTU tube burners
- 9,000 BTU range side burner
- 425 sq. in. main grilling area. 535 sq. in. total cooking area
- New design cuts assembly time in half over comparable models
- DUAL-LEVEL stainless steel sear plates
- Porcelainized reversible cast iron WAVE™ cooking grids and porcelain coated warming rack
- Black porcelain lid and single panel door with integrated inside storage compartment
- ACCU-PROBE™ temperature gauge
- Space saving, folding stainless steel side shelves with integrated tool hooks
- Galvanized steel cart construction features integrated tool hooks
- Pedestal base with easy locking casters
- Available in Natural Gas or Propane
- Propane model features tank stability ring
- Backed by the President's Limited Lifetime Warranty



DUAL-LEVEL
Stainless steel sear plates



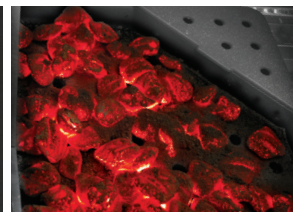
Porcelainized Reversible Cast Iron
WAVE™ Cooking Grids



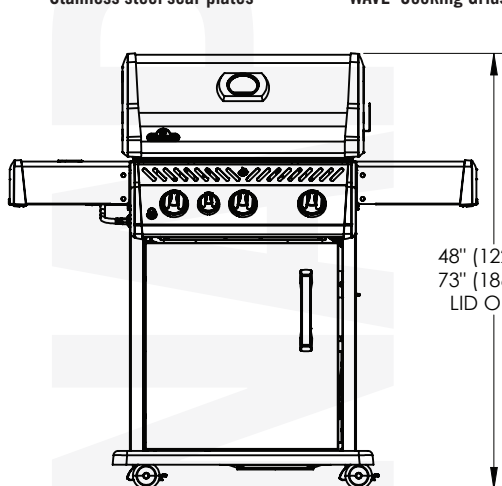
Range Side Burner



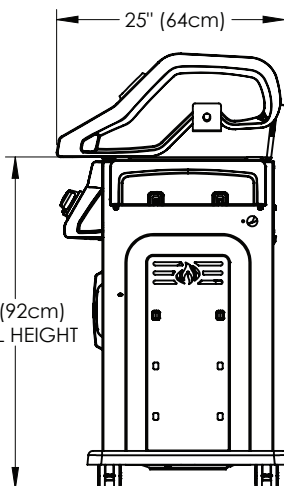
ACCU-PROBE™ Temperature Gauge



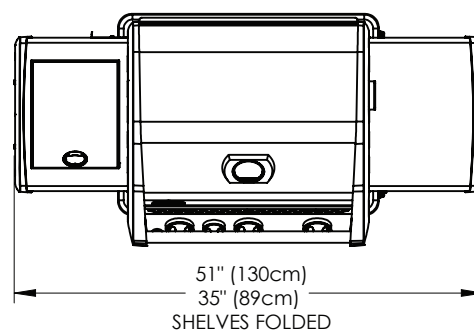
Fits the Optional Exclusive Cast Iron
Charcoal Tray



48" (122cm)
73" (186cm)
LID OPEN



36" (92cm)
GRILL HEIGHT



51" (130cm)
35" (89cm)
SHELVES FOLDED