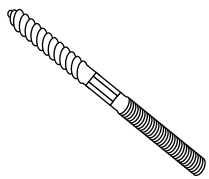


Following these mounting instructions with the hardware included will be more than sufficient to support vanity installation.

### Included Sink Installation Hardware



x2 Hanger Bolts (8mm)



x2 Washer



x2 Wall Anchor

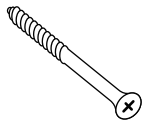


x2 Insulation Sleeve



x2 Nuts

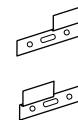
### Vanity Installation Hardware



x4 Long Screw



x4 Short Screw

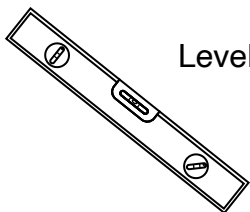


x1 Mounting Bracket Set

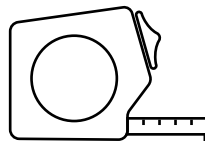


x4 Wall Anchor

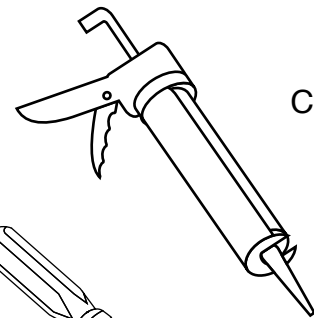
### Tools You May Need



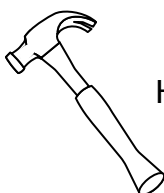
Level



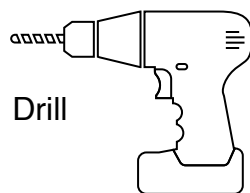
Tape Measure



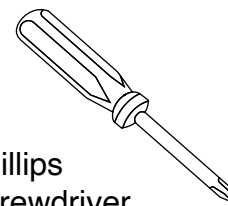
Caulk



Hammer



Drill

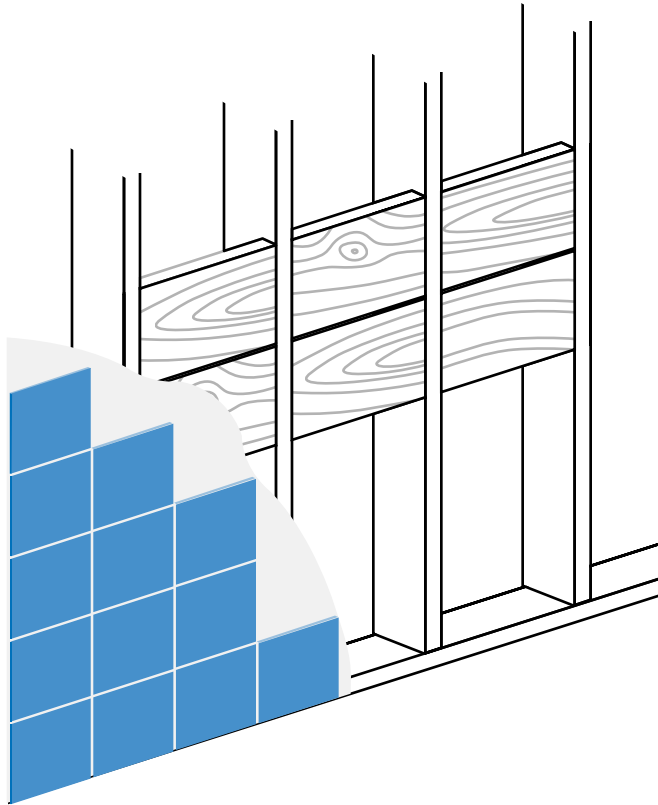


Phillips Screwdriver

## 1. Prepare Location

---

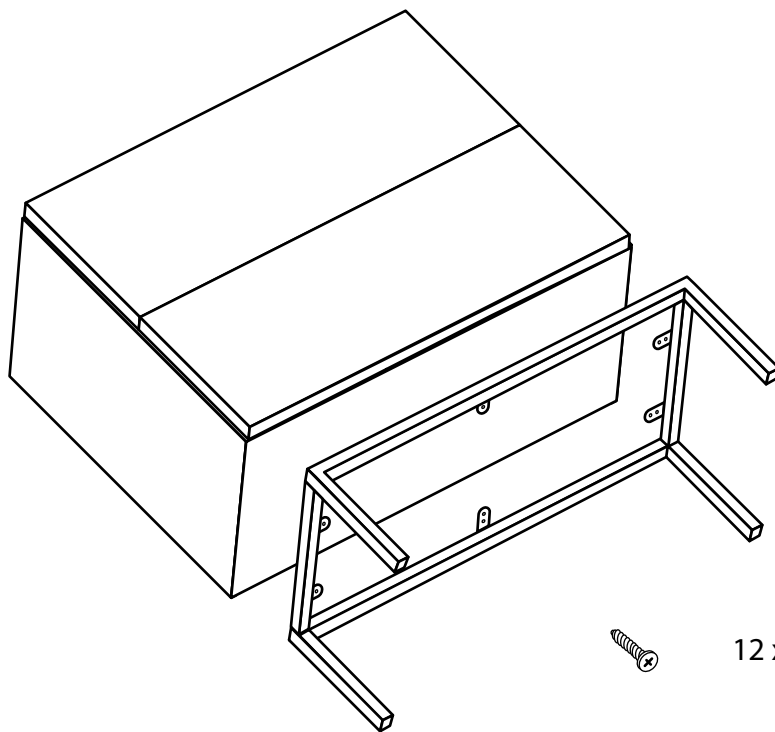
Locate studs in the wall. If the studs do not line up with the holes in the back of the sink and vanity, be sure to add sufficient wall supports behind the finished wall.



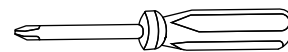
## 2. Install Legs

---

Lay vanity cabinet on it's back. screw on the feet with phillips screwdriver.



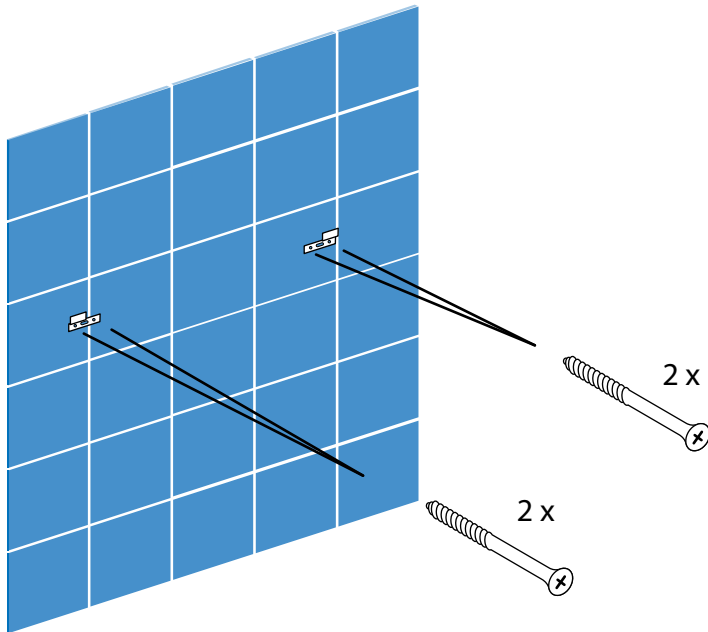
12 x



## 2. Mount Vanity Bracket

---

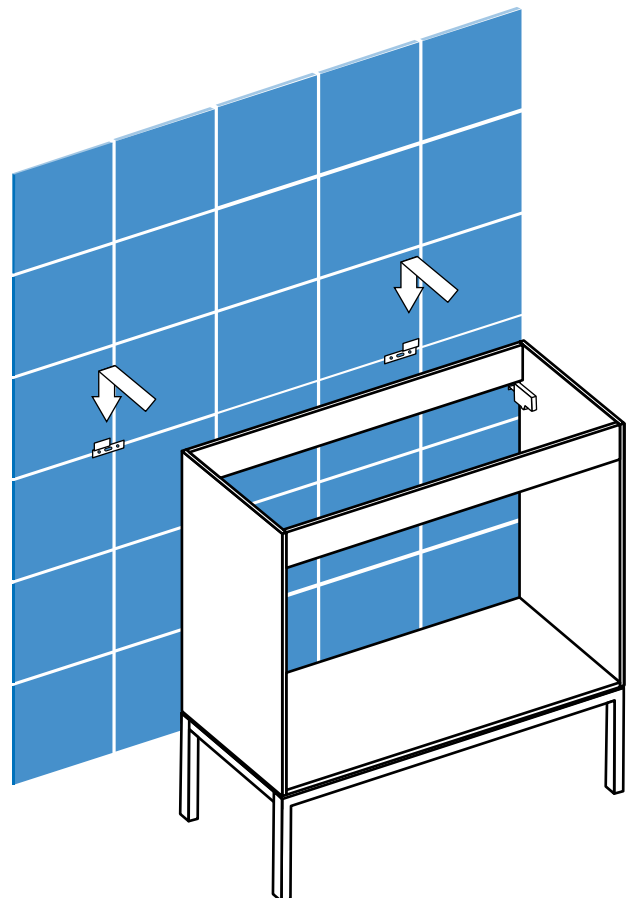
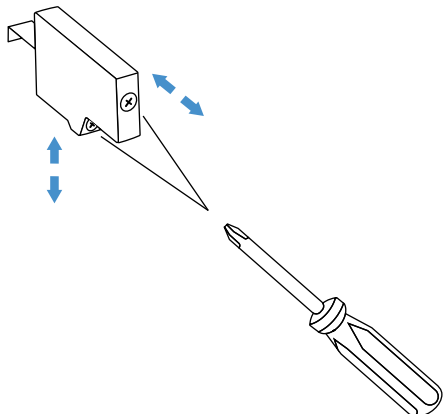
Mark the desired height of the vanity on the wall. Mark the location of the vanity. Drill pilot holes and install the mounting brackets. Check position with a level.



## 4. Install Vanity Base

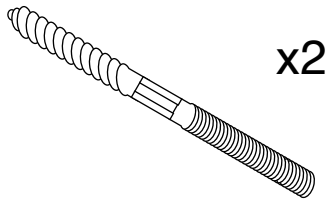
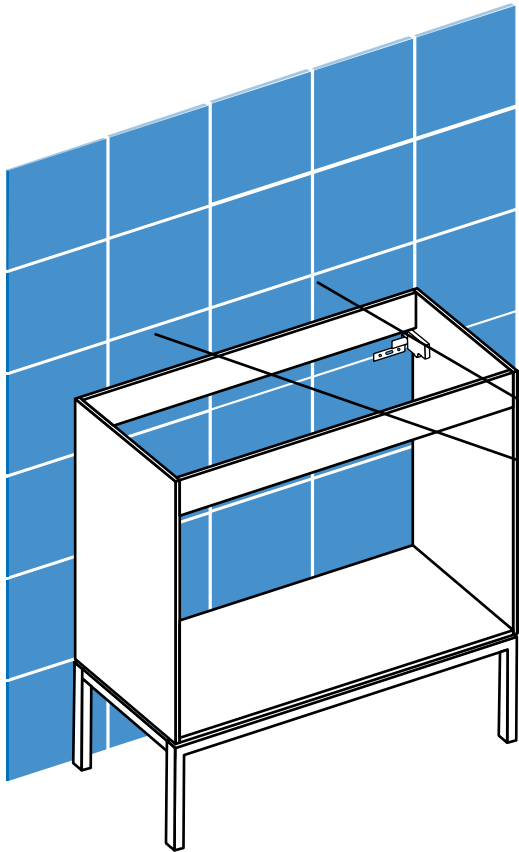
---

Remove drawers. Rest vanity on mounting brackets. Check for level. Use a phillips head screwdriver to adjust.



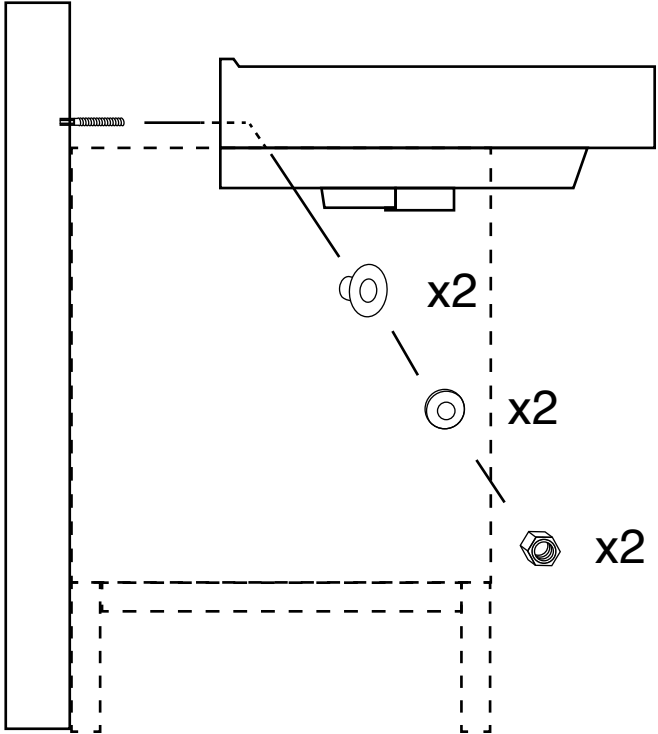
## 5. Install Hanger Bolts

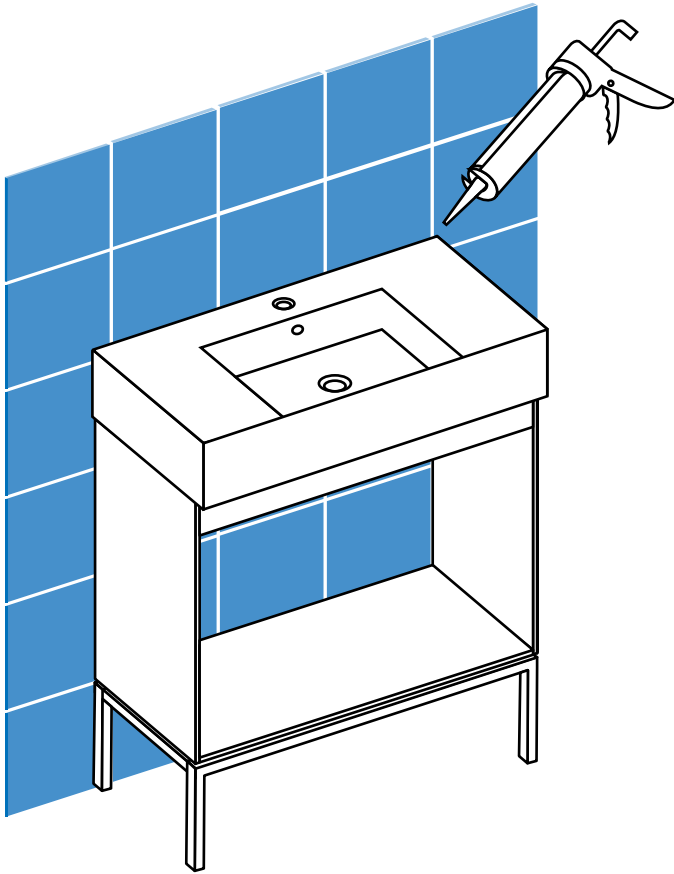
Measure the distance between mounting holes in the back of the sink. Drill pilot holes and screw in hanger bolts. Check the position with a level.



## 6. Mount Sink With Washers and Nuts

Thread the sink on to the two hanger bolts. Secure the sink with insulation sleeves, washers and nuts. Be careful not to over tighten the bolts. Over tightening can cause the sink to chip and crack.





## 7. Install Caulk

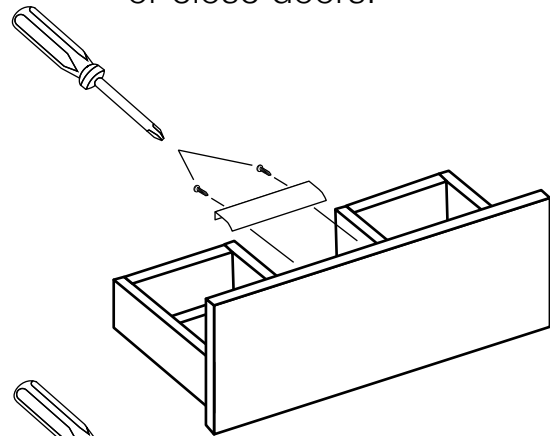
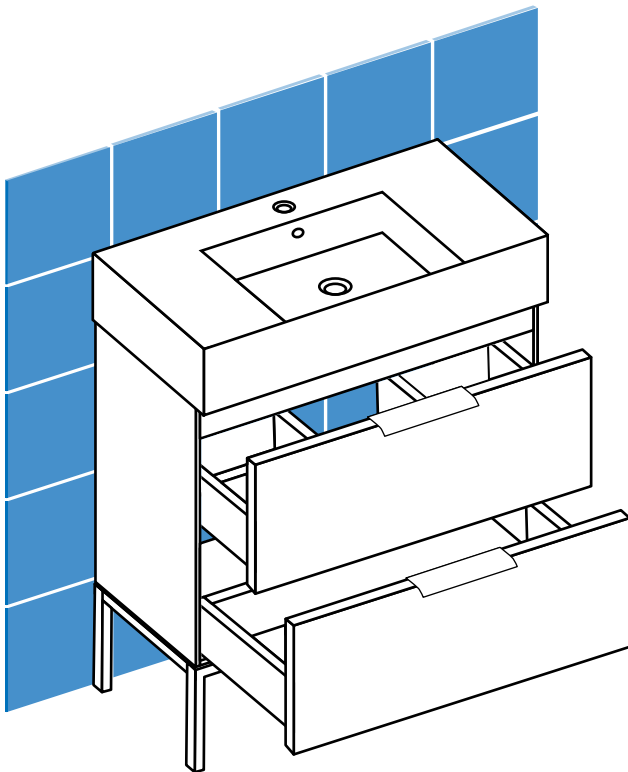
---

Finish the sink installation with a bead of caulk between the sink and wall.

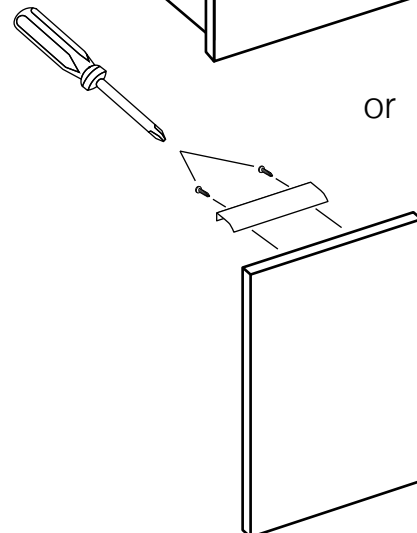
## 8. Install Handles

---

Screw on handles with phillips screwdriver. Replace drawers or close doors.



or



## 9. Vanity Accessories

Complete your installation by adding the preferred plumbing accessories, such as the faucet, click clack drain, p-trap and angle valves to your vanity.

