

## Features

- Modern design.
- Ceramic sink with overflow.
- Sink features counter space.
- Water resistant exterior panels.
- 2 Soft-closing drawers.

## Material

- White ceramic integrated sink.
- Engineered wood vanity base.

## Installation

- Wall mounted installation.

## Configurations

- Single hole.
- Three hole (special order).

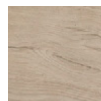


## Nameek's One-Year Limited Warranty

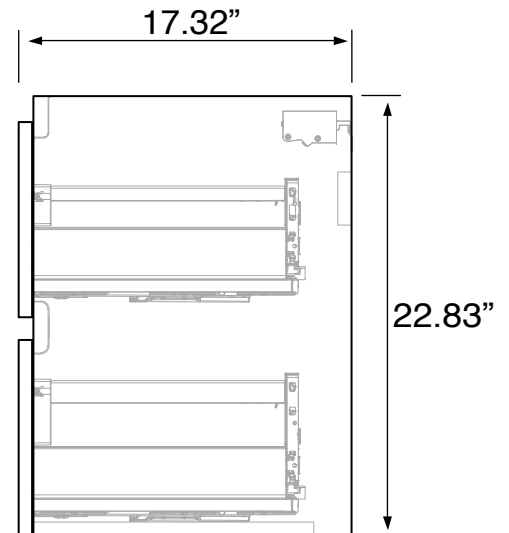
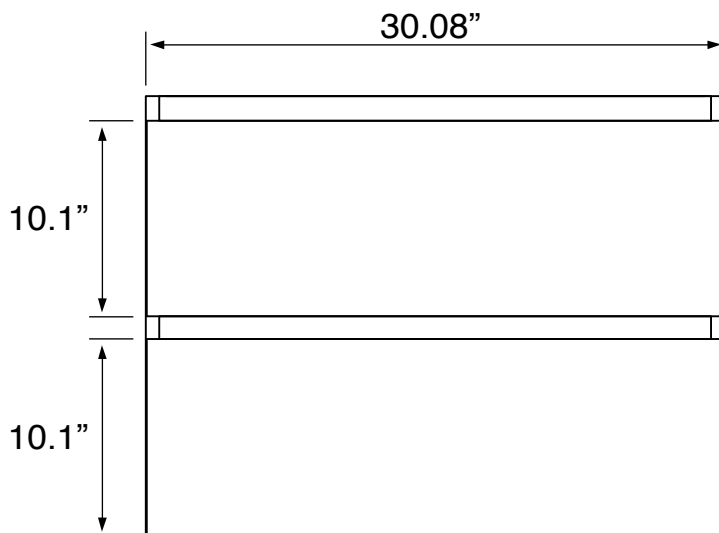
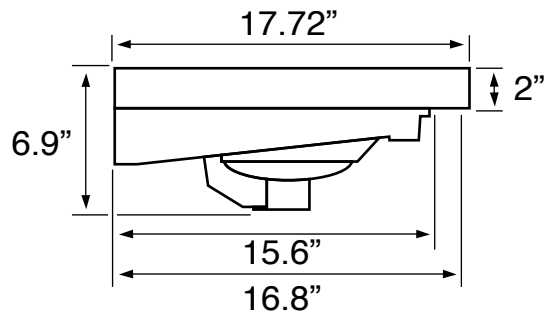
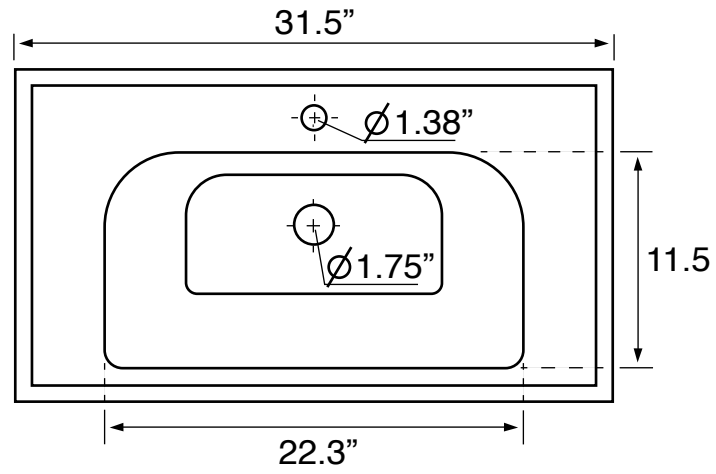
See website for warranty information details.

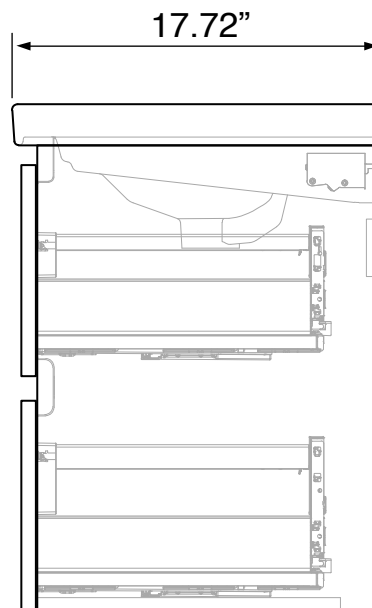
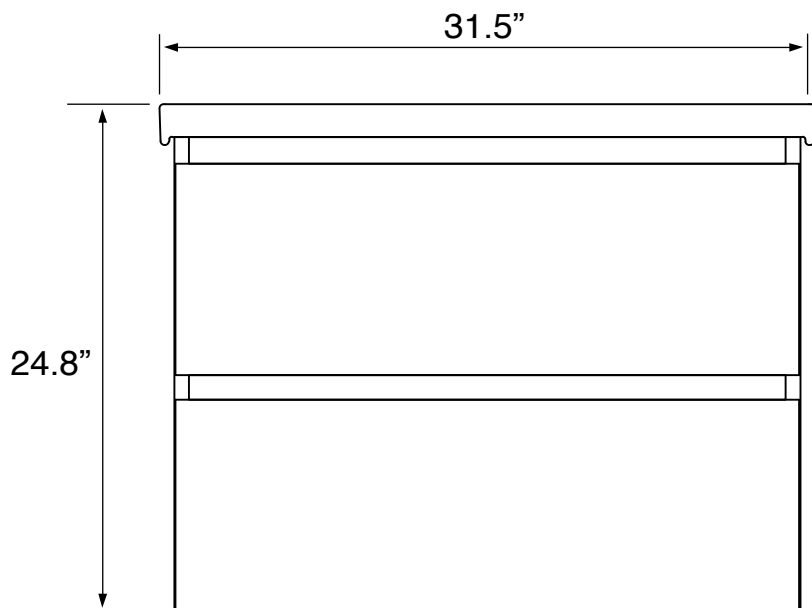
## Vanity Cabinet Color/Finish Details

Color	Description
-------	-------------



Brown Oak





## Technical Information

Bowl type:	Single
Installation:	Wall mounted
Bowl dimensions:	Depth: 5"
	Width: 11.5"
	Length: 22.3"
Drain hole:	1.75"
Faucet hole:	1.38"
Hole configurations:	1, 3
Weight:	150 lbs

## Notes

Install this product according to the installation instructions.

Includes mounting hardware.