

Features

- Modern design.
- Ceramic sink with overflow.
- Water resistant exterior panels.
- Soft-closing main drawer.
- Interior hidden drawer.
- Integrated drawer handle.

Material

- White ceramic integrated sink.
- Engineered wood vanity base.

Installation

- Wall mounted installation.

Configurations

- Single hole.
- Three hole (special order).

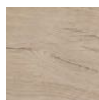


Nameek's One-Year Limited Warranty

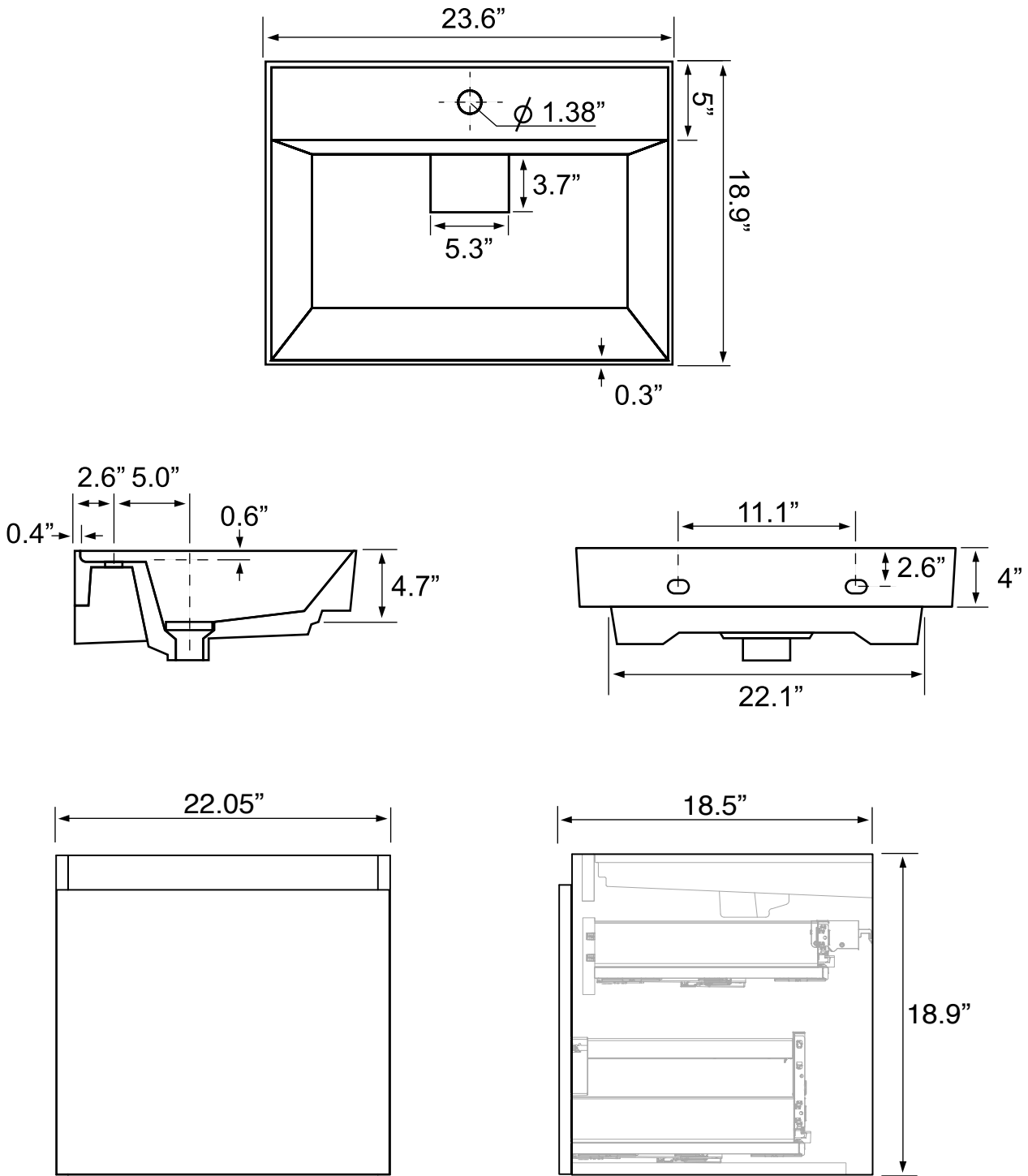
See website for warranty information details.

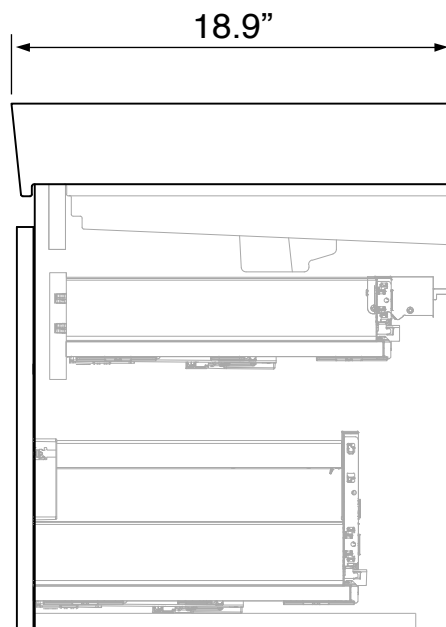
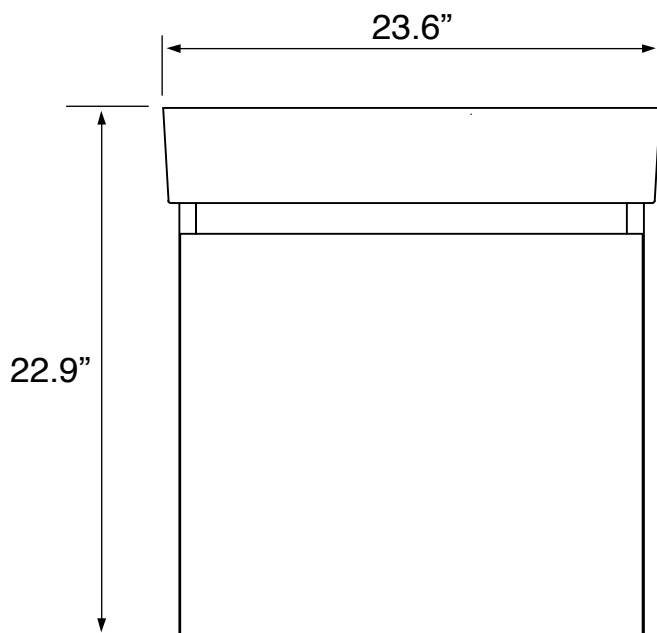
Vanity Cabinet Color/Finish Details

Color	Description
-------	-------------



Brown Oak





Technical Information

Bowl type:	Single
Installation:	Wall mounted
Bowl dimensions:	Depth: 4.8"
	Width: 13.9"
	Length: 23"
Drain hole:	1.75"
Faucet hole:	1.38"
Hole configurations:	1, 3
Weight:	130 lbs

Notes

Install this product according to the installation instructions.

Includes mounting hardware.