

## Features

- Modern design.
- Ceramic sink with overflow.
- Water resistant exterior panels.
- Soft-closing door.
- Integrated door handle.

## Material

- White ceramic integrated sink.
- Engineered wood vanity base.

## Installation

- Wall mounted installation.

## Configurations

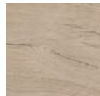
- Single hole.
- Three hole (special order).

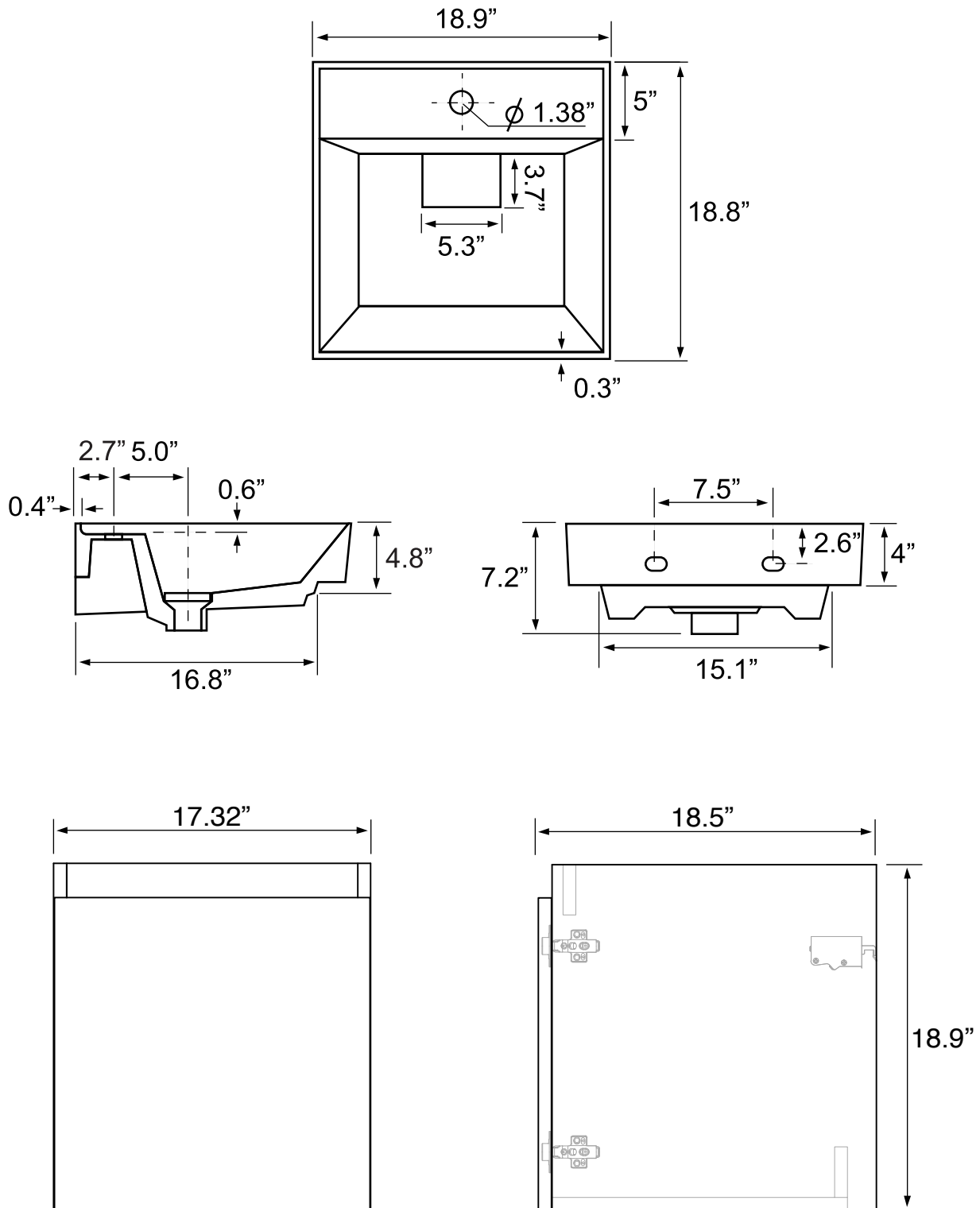


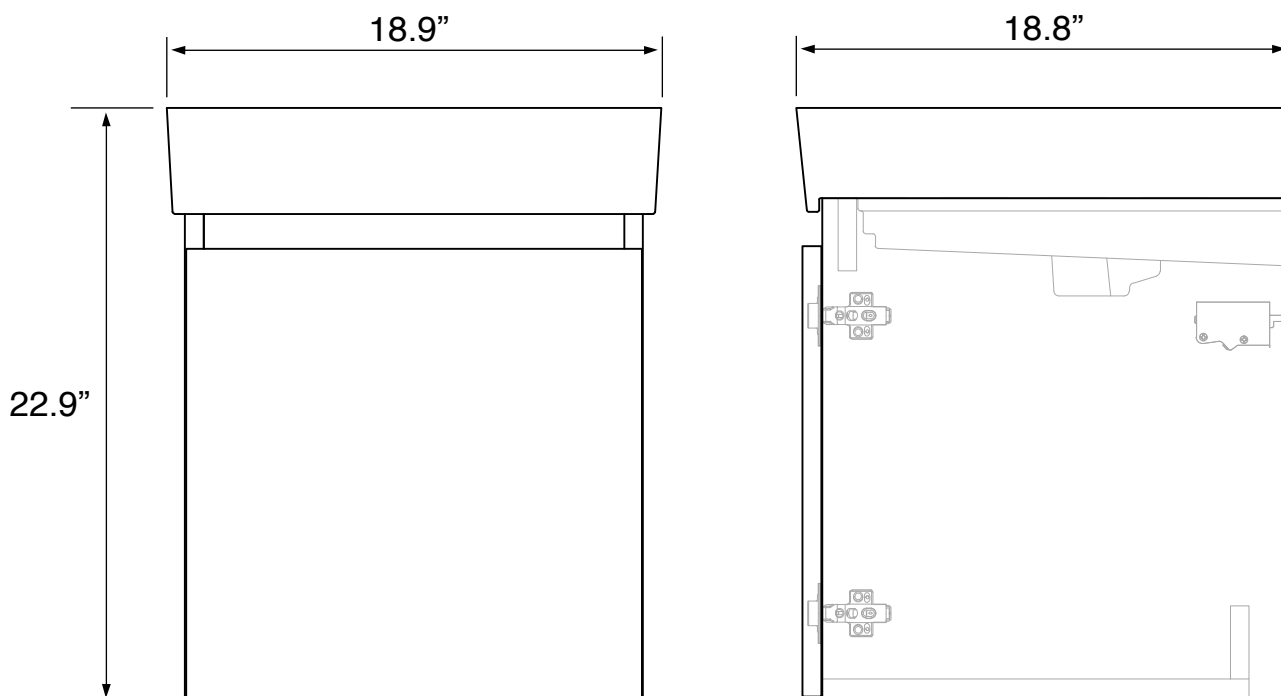
## Nameek's One-Year Limited Warranty

See website for warranty information details.

## Vanity Cabinet Color/Finish Details

Color	Description
	Brown Oak





## Technical Information

Bowl type:	Single
Installation:	Wall mounted
Bowl dimensions:	Depth: 4.8" Width: 13.8" Length: 18.3"
Drain hole:	1.75"
Faucet hole:	1.38"
Hole configurations:	1, 3
Weight:	80 lbs

## Notes

Install this product according to the installation instructions.

Includes mounting hardware.