

## Features

- Modern design.
- Ceramic sink with overflow.
- Sink features counter space.
- Water resistant exterior vanity panels.
- 4 soft-closing drawer.
- Black cabinet handles.



## Material

- White marble design ceramic integrated sink.
- Engineered wood vanity base.

## Installation

- Wall mounted installation.

## Configurations

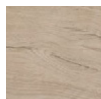
- Two hole.
- Six hole (special order).

## Nameek's One-Year Limited Warranty

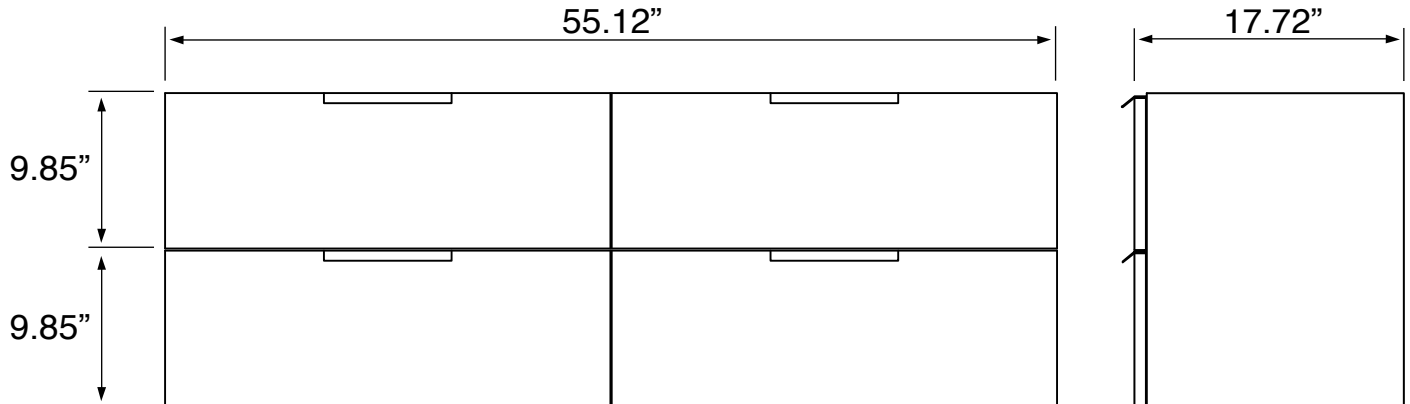
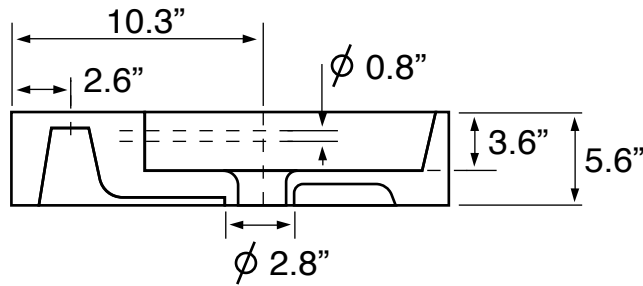
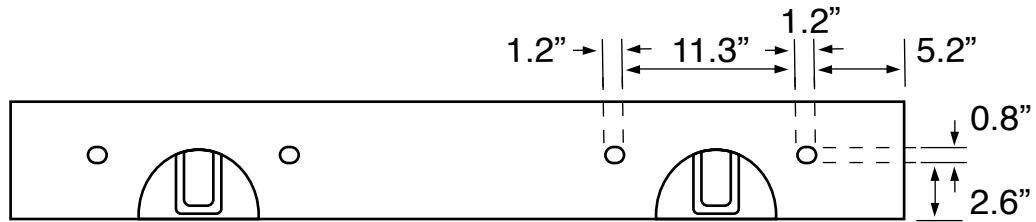
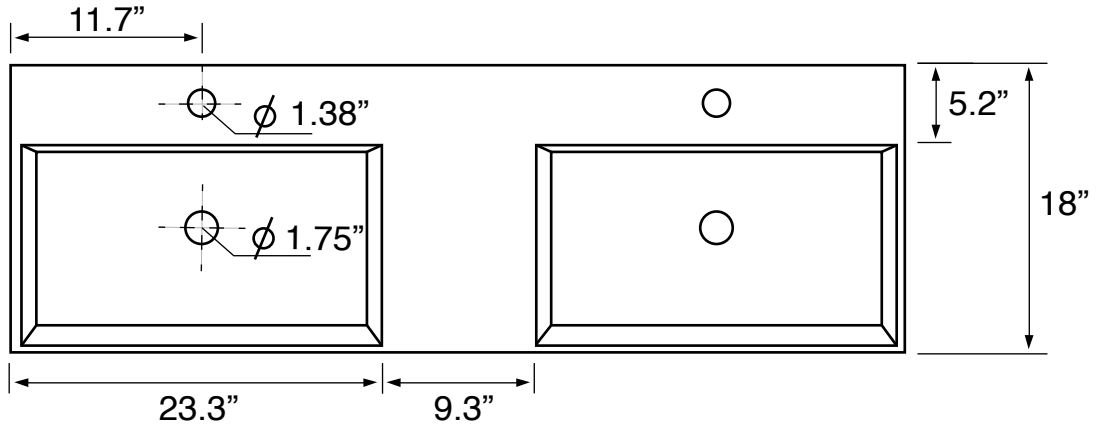
See website for warranty information details.

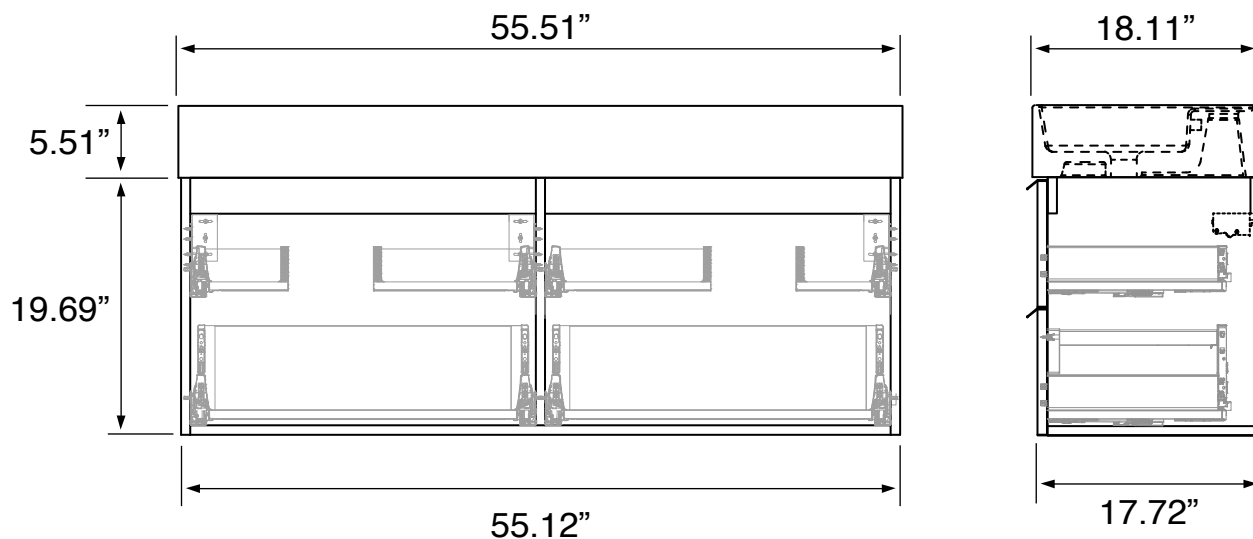
## Vanity Cabinet Color/Finish Details

Color	Description
-------	-------------



Brown Oak





## Technical Information

Bowl type:	Double
Installation:	Wall mounted
Bowl dimensions:	Depth: 3.54"
	Width: 12.8"
	Length: 23.23"
Drain hole:	1.75"
Faucet hole:	1.38"
Hole configurations:	2, 6
Weight:	210 lbs

## Notes

Install this product according to the installation instructions.

Includes mounting hardware.

USA/Canada: 215.256.4197

Nameek's reserves the right to make revisions without notice to product specifications.  
 For more information, go to [www.nameeks.com](http://www.nameeks.com)