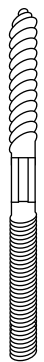


Following these mounting instructions with the hardware included will be more than sufficient to support wall mounted installation.

### Included Installation Hardware



x2 Hanger Bolts (8mm)



x2 Washer



x2 Wall Anchor

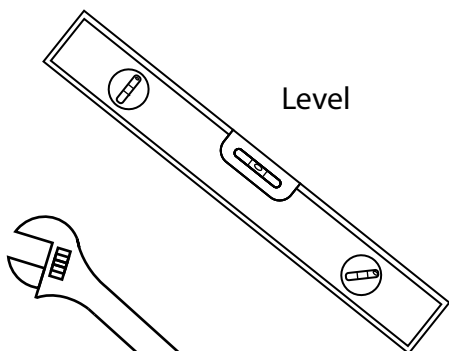


x2 Nuts



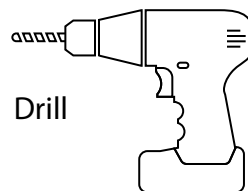
x2 Insulation Sleeve

### Tools You May Need

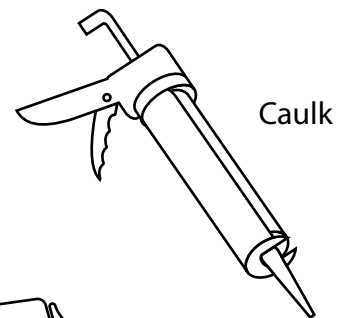


Level

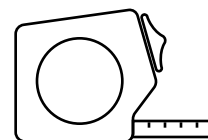
Wrench



Drill



Caulk

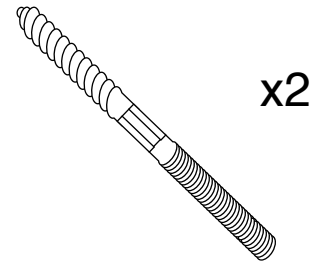
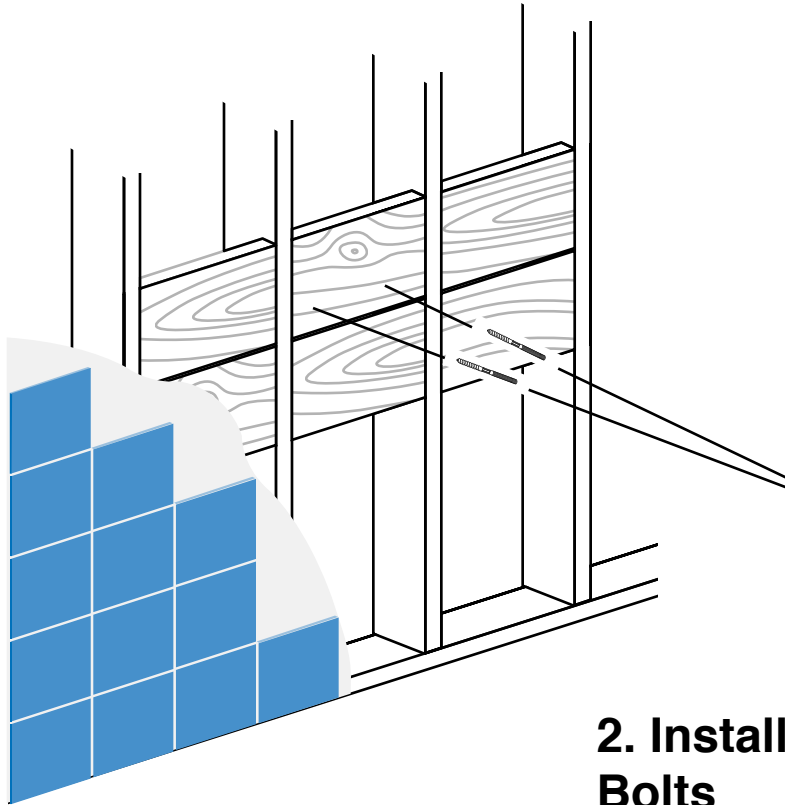


Tape Measure

## 1. Prepare Location

---

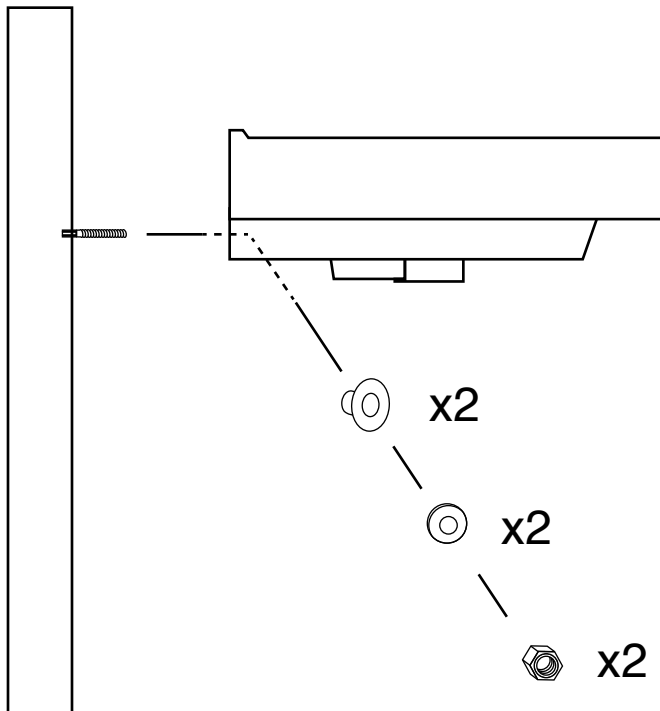
Locate studs in the wall. If the studs do not line up with the holes in the back of the sink, be sure to add sufficient wall supports behind the finished wall.



## 2. Install Hanger Bolts

---

Measure the distance between mounting holes in the back of the sink. Drill pilot holes in wood and screw in hanger bolts. Check position with a level.



## 3. Secure Sink With Washers and Nuts

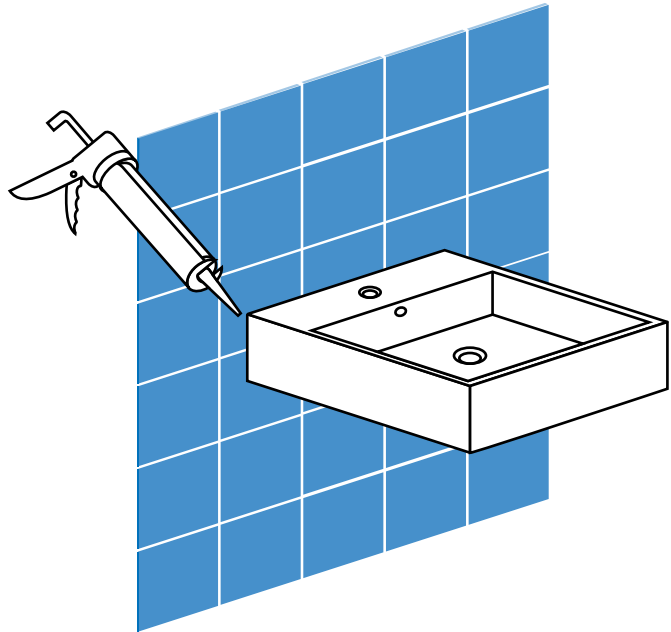
---

Thread the sink on to the two hanger bolts. Secure the sink with insulation sleeves, washers and nuts. Be careful not to over tighten the bolts. Over tightening can cause the sink to chip and crack.

## 4. Install Caulk

---

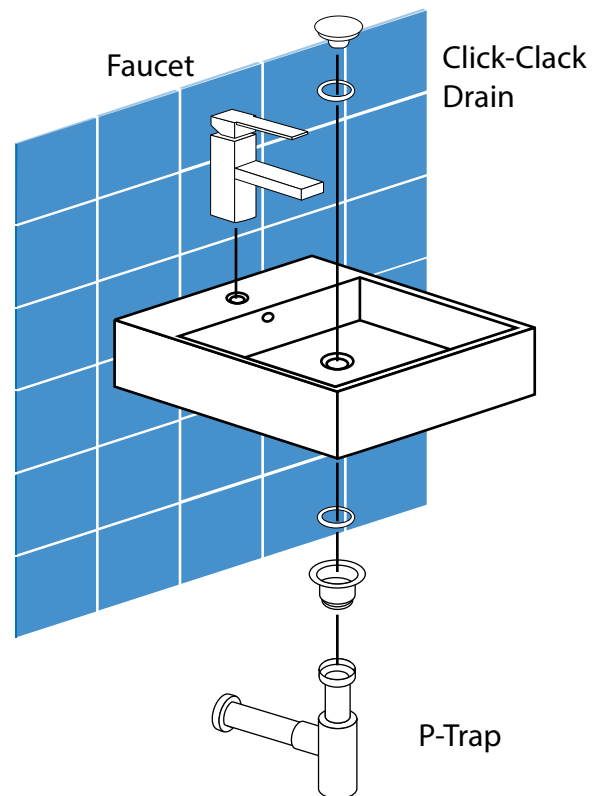
Finish the sink installation with a bead of caulk between the sink and wall.



## 5. Sink Accessories

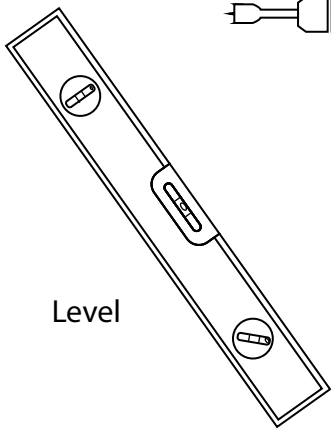
---

Complete your installation by adding the preferred plumbing accessories, such as the faucet, click clack drain, p-trap and angle valves to your sink.

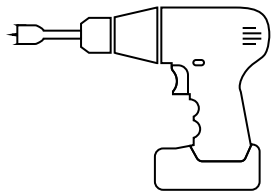


Follow these mounting instructions for proper drop in installation.

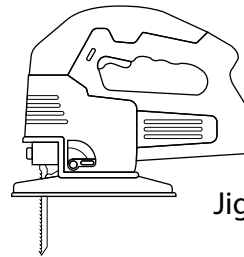
### Tools You May Need



Level



Drill



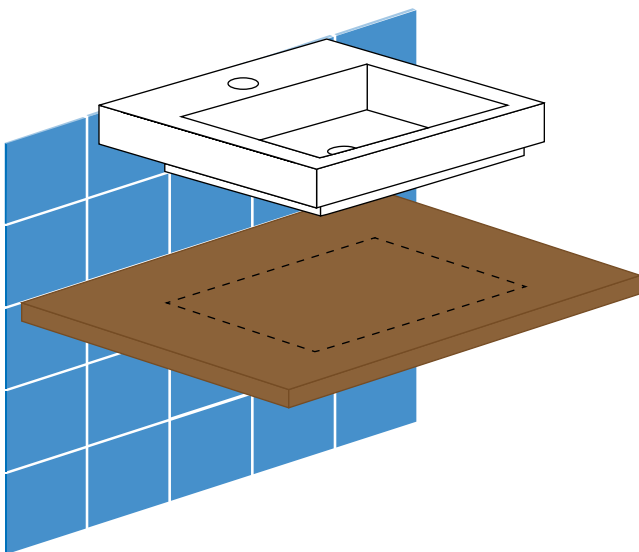
Jigsaw



Tape Measure

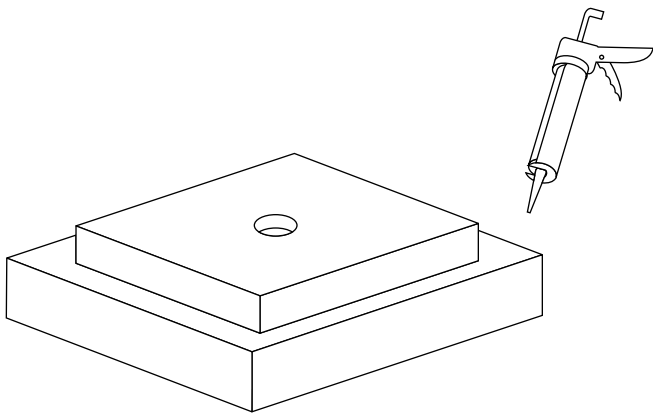


Silicone



## 1. Prepare Location

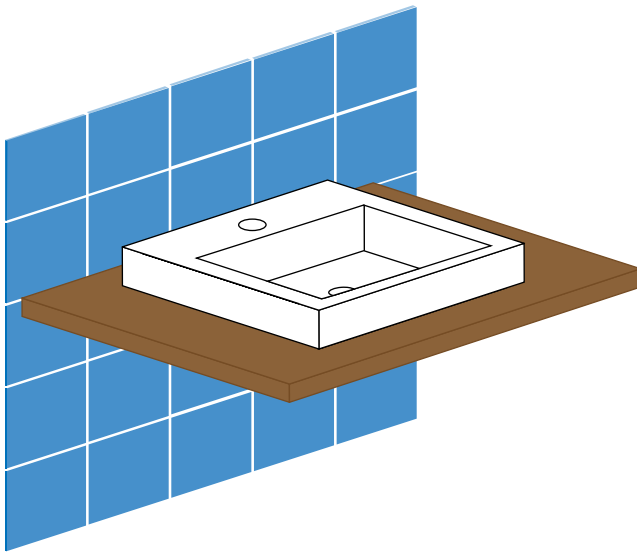
Install vanity or slab according to the manufacturer's guidelines. Place the sink on the countertop and determine its permanent location. Mark the sink basin location and cut an opening.



## 2. Add Silicone To Bottom Of Sink

---

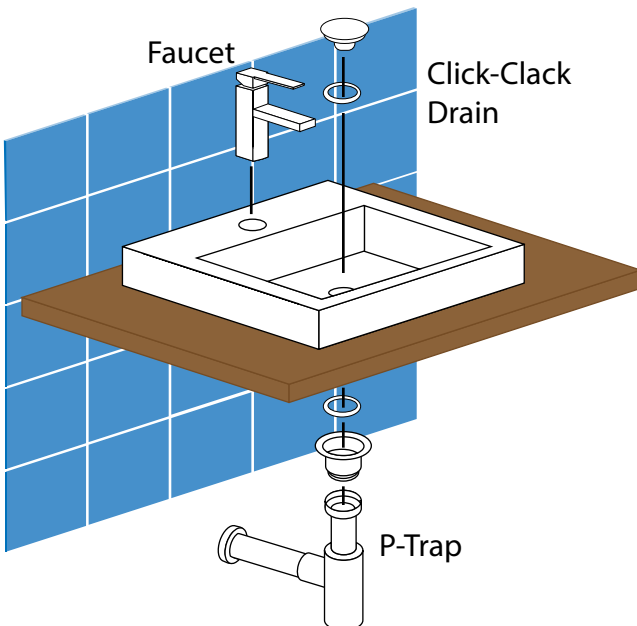
Place a bead of silicone on the underside of the sink.



## 3. Align Sink

---

Line up the sink basin with the countertop and press firmly.



## 4. Sink Accessories

---

Complete your installation by adding the preferred plumbing accessories, such as the faucet, click clack drain, p-trap and angle valves to your sink.