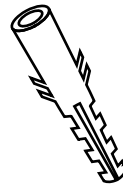


Following these mounting instructions with the hardware included will be more than sufficient to support wall mounted installation.

#### Included Installation Hardware

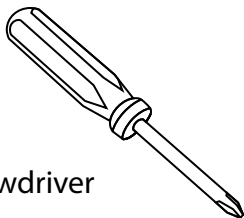


x4 screw



x4 wall anchor

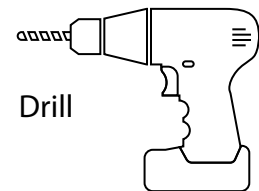
#### Tools You May Need



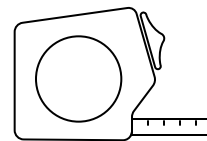
Screwdriver



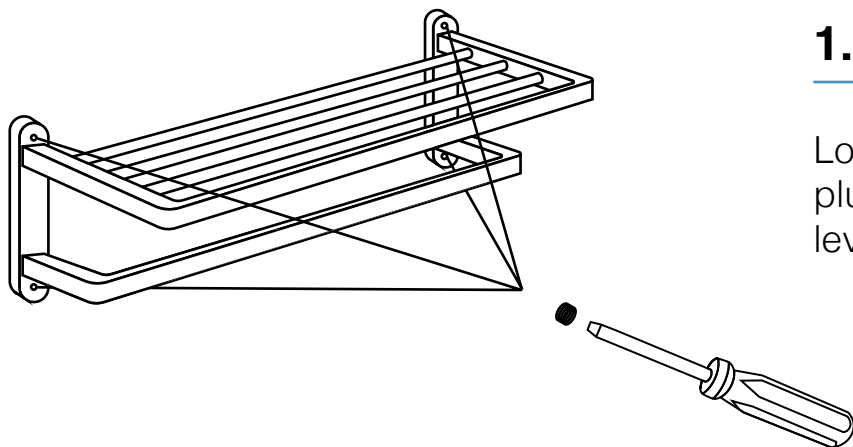
Level



Drill



Tape Measure

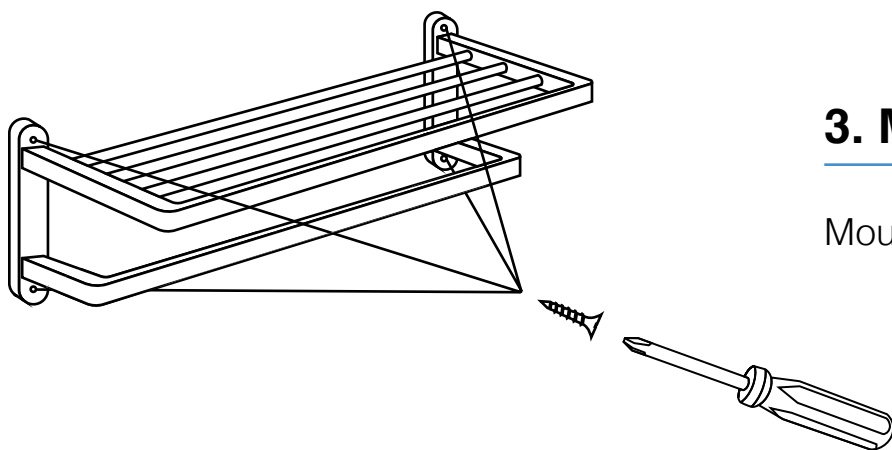
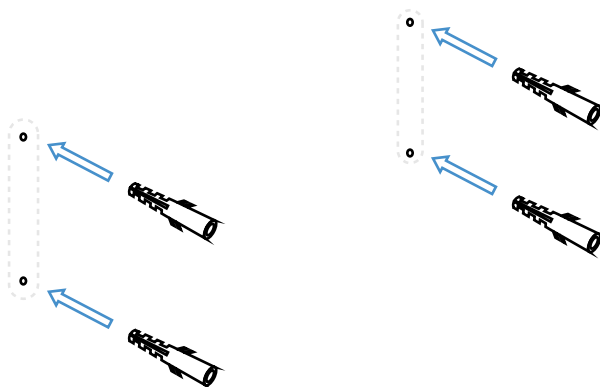


## 1. Mark Mounting Holes

Locate and unscrew cover plate plugs. Position rack on wall and level. Mark holes for mounting.

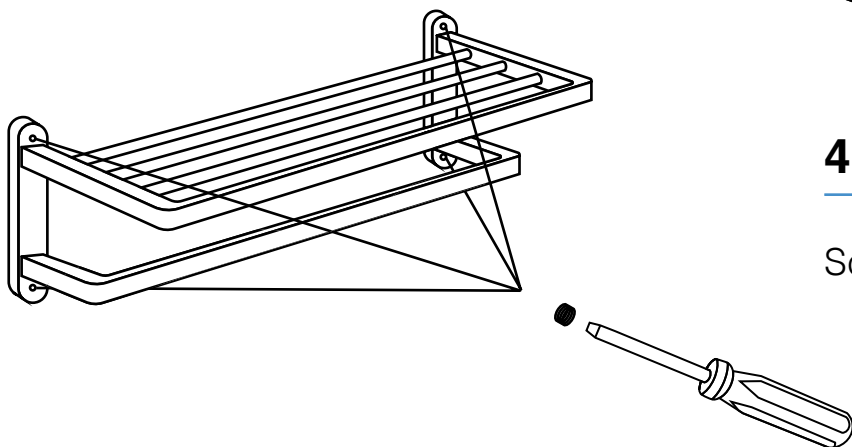
## 2. Install Anchors

Drill holes the size of anchors and tap anchors into predrilled holes.



## 3. Mount Train Rack

Mount train rack with screws.



## 4. Screw Plugs

Screw in cover plate plugs.