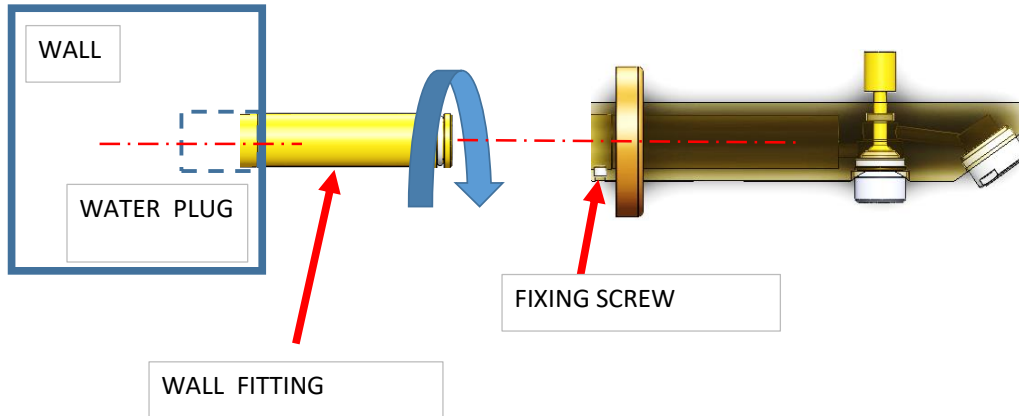
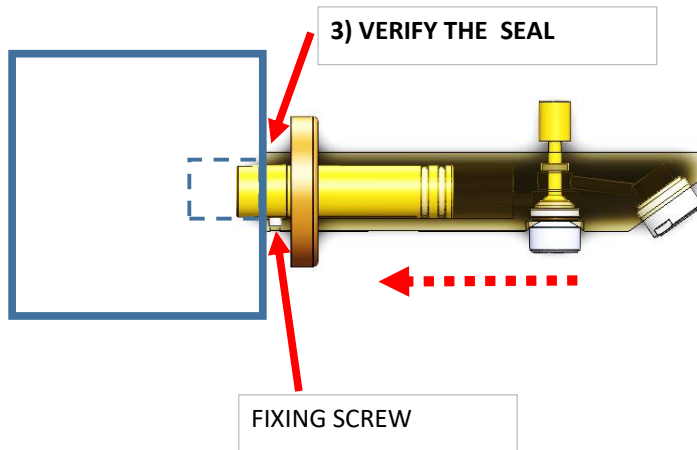


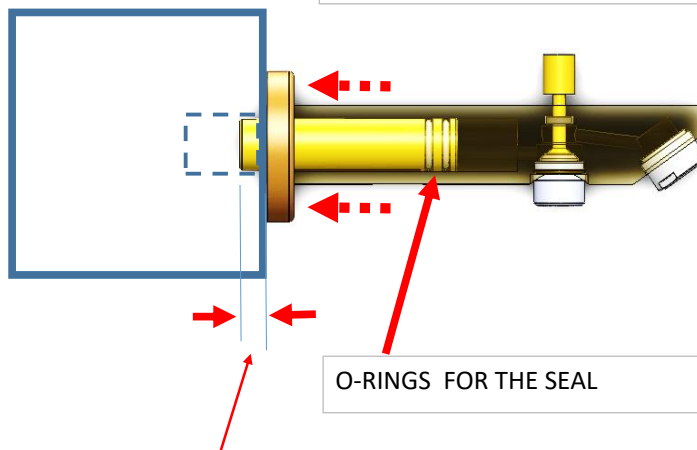
1) UNSCREW THE FIXING SCREW AND REMOVE THE WALL FITTING FROM THE SPOUT , SCREW CLOCKWISE THE WALL FITTING IN THE WALL



2) PUSH THE SPOUT AGAINST THE WALL AND SCREW THE FIXING SCREW TO FIX THE SPOUT



4) PUSH THE WALL FLANGE AGAINST THE WALL



THIS DIMENSIONS DEPENDS ON THE WATER PLUG DEPTH