

# Muskoka®

Electric Fireplace  
91 cm / 36 in

Foyer électrique mural courbé de  
91 cm / 36 po

Chimenea eléctrica de  
91 cm / 36 pulg

**Important:**  
Retain for future reference:  
Read carefully

**Important :**  
Conserver pour référence  
ultérieure : lire attentivement

**Importante:**  
Conserve para referencias futuras:  
Lea cuidadosamente antes de usar



  
c US  
218326

Model/Modèle : SF310C-36 Brand/Marque : MUSKOKA®

Français p. 18  
Español p. 34

# Table of Contents

Table of Contents .....	2
Safety Information .....	2
Warranty .....	3
Pre-Installation .....	4

Installation - Wall-Mount .....	8
Installation - Table Top .....	10
Operation .....	12
Care and Cleaning .....	15

# Safety Information

## Retain for future reference: Read carefully

1. Read all instructions before using this fireplace.
2. Always unplug this appliance when not in use.
3. Children should be advised not to play with this fireplace.
4. Do not operate any heater with a damaged cord or plug or after the heater malfunctions, has been dropped or damaged in any manner. Return heater to authorized service facility for examination, electrical or mechanical adjustment, or repair.
5. Any repairs to this appliance should be carried out by qualified/ authorized service personnel only.
6. Under no circumstances should this appliance be modified. Parts having to be removed for servicing must be replaced with original "OEM" (original equipment manufacturers) parts only.
7. Do not use outdoors.
8. This appliance is not intended for use in bathrooms, laundry areas, and similar indoor locations. Never locate this appliance where it may fall into a bathtub or other water container.
9. Do not run the cord under carpeting. Do not cover the cord with throw rugs, runners, or the like. Arrange the cord away from traffic areas and where it will not be tripped over.
10. To disconnect heater, turn controls to off, then remove plug from outlet.
11. Connect to properly grounded outlets only.
12. This appliance, when installed, must be electrically grounded in accordance with local codes, with the current CSA C22.1 Canadian Electric codes, or for USA installations, follow local codes and the National Electrical Code, ANSI/NFPA No. 70.
13. There is a thermostat limiter inside the fireplace. When the inner temperature over heats or abnormal heating occurs, the thermostat protective device will cut off power supply to avoid damage to the fireplace or risk of fire.
14. This appliance has hot and arching or sparking parts inside. Do not use it in areas where gasoline, paint, or flammable liquids are used or stored. This appliance should not be used as a drying rack for clothing, nor should Christmas stockings or decorations be hung on or near it.
15. Use this appliance only as described in this manual. Any other use not recommended by the manufacturer may cause fire, electric shock, or injury to persons.

16. The use of an extension cord is not recommended due to risk of fire. If used the extension cord shall be No. 14 AWG minimum size and rated no less than 1875 watts, and the extension cord shall be a three-wire cord with grounding type plug and cord connector. The extension cord shall not be more than 6 m / 20 ft in length.
17. Do not use this appliance with a programmable timer or any other device that switches the appliance on and off automatically. In order to avoid a hazard due to inadvertent resetting of the thermal cut out, this appliance must not be supplied through an external switching device, such as a timer, or connected to a circuit that is regularly switched on and off by an utility.
18. This product contains a button battery. If swallowed, it could cause severe injury or death in just 2 hours. Seek medical attention immediately.



**CAUTION:** Operate only on supplied stand or mounted to wall. Do not install heater less than 60 cm / 23.6 in from the floor.



**WARNING:** This heater is hot when in use. To avoid burns, do not let bare skin touch hot surfaces. If provided, use handles when moving this appliance. Keep combustible materials, such as furniture, pillows, bedding, papers, clothes, and curtains at least 0.9 m / 3 ft from front, sides and rear of the heater.



**CAUTION:** When using electrical appliances, basic precautions should always be followed to reduce the risk of fire, electrical shock, and injury to persons.



**CAUTION:** To prevent a possible fire, do not block heater air intakes or the exhaust in any manner. Do not operate the heater on soft surfaces, like a bed, where openings may become blocked.



**CAUTION:** Do not insert or allow foreign objects to enter any ventilation or exhaust openings, as this may cause an electric shock or fire, or damage to the heater.



**CAUTION:** Extreme caution is necessary when any heater is used by or near children or invalids, and whenever the heater is left operating and unattended.



**IMPORTANT:**  
**SAVE THESE INSTRUCTIONS.**

## Pre-Installation

### PLANNING INSTALLATION

Before you begin assembly, locate the instructions and hardware. Compare all parts with the Hardware Included and Package Contents lists. Be sure you have all the parts and can identify them. A helping hand is always good. Assemble your fireplace with an adult assistant if possible. Some pieces are heavy and will need to be held by a helper. Assembly time will take approximately 5-20 minutes.

Before assembly, use scissors to unwrap the parts from the packaging. Do not use a box cutter or exacto-knife, as you may cut into the heater pieces inside the box and damage the finish. Check for the red hardware bag located inside the packaging, taped to the top of the box. Do not discard any pieces. Use an appropriate screwdriver to insert and tighten all screws.



**CAUTION:** This carton includes a GLASS panel! Always use extreme caution when handling glass. Failure to do so could result in personal injury or property damage.

### SPECIFICATIONS

Model No.	SF310C-36
Wall Mounted Dimensions W x D x H	91.4cm x 12.8cm x 44cm (36in x 5in x 17.3in)
Stand Mounted Dimensions W x D x H	91.4cm x 21.1cm x 54.6cm (36in x 8.7in x 21.5in)
Net Weight / Gross Weight	15.4 kg / 34 lb (18 kg / 39.7 lb)
Voltage	120V
Frequency	60 Hz
Watts / Amps	1400 W / 11.7 A

### ELECTRICAL CONNECTION



**WARNING:** Electrical outlet wiring must comply with local building codes and other applicable regulations to reduce the risk of fire, electrical shock, and injury to persons.

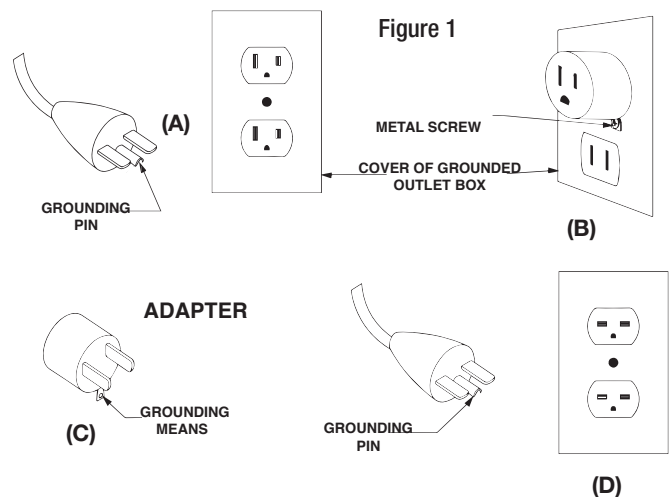


**WARNING:** Do not use this fireplace if any part of it has been under water. Immediately call a qualified service technician to inspect the fireplace and replace any part of the electrical system which has been under water.

A 15 Amp, 120 Volt, 60 Hz circuit with a properly grounded outlet is required to operate this appliance. Preferably, the appliance will be on a dedicated circuit, as other appliances on the same circuit may cause the circuit breaker to trip or the fuse to blow when the fireplace is in operation. The unit comes standard with a 1.8 m / 6 ft long 3-wire cord, exiting out the back of the fireplace. Plan the installation to avoid the use of an extension cord. If an extension cord must be used, it must be a minimum No. 14 AWG, 3-wire with grounding type plug and connector, and must be rated not less than 1875 watts. The extension cord shall not be more than 6 m / 20 ft in length.

### GROUNDING INSTRUCTIONS

This heater is for use on 120 volts. The cord has a plug as shown at (A) in Figure 1. An adapter as shown at (C) is available for connecting three-blade grounding-type plugs to two-slot receptacles. The green grounding lug extending from the adapter must be connected to a permanent ground such as a properly grounded outlet box. The adapter should not be used if a three-slot grounded receptacle is available.



NOTE: Adapters are NOT for use in Canada.

## Remote Control

This Class (B) device complies with Part 15 of the FCC Rules and Canadian ICES-003. Operation is subject to the following two conditions:

(1) This device may not cause harmful interference, and (2) this device must accept any interference received, including interference that may cause undesired operation. There is no guarantee that interference will not occur in a particular installation. If this equipment does cause harmful interference to radio or television reception, which can be determined by turning the equipment off and on, the user is encouraged to try to correct the interference by one or more of the following measures:

- Reorient or relocate the receiving antenna.
- Increase the separation between the equipment and receiver.
- Connect the equipment into an outlet on a circuit different from that to which the receiver is connected.
- Consult the dealer or an experienced radio/TV technician for help.

This remote control requires 1 Lithium Coin Cell Battery (size CR2025), which is included.

**CAUTION:** Changes or modifications to this unit not expressly approved by the party responsible for compliance could void the user's authority to operate the equipment.

### WARNING



DO NOT mix old and new batteries.

DO NOT use rechargeable silver oxide cell batteries with remote control unit.

DO NOT mix alkaline, standard (Carbon-Zinc), or rechargeable (Nickel-Cadmium) batteries.

DO NOT dispose of batteries in fire. Improper disposal may cause batteries to leak or explode.

# Pre-Installation (continued)

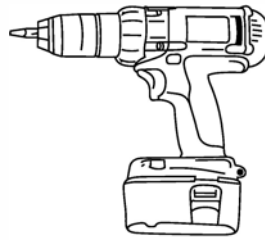
## TOOLS REQUIRED (not included)



Safety goggles



Phillips screwdriver



Power drill

## HARDWARE INCLUDED



NOTE: Hardware shown to actual size.



AA



BB

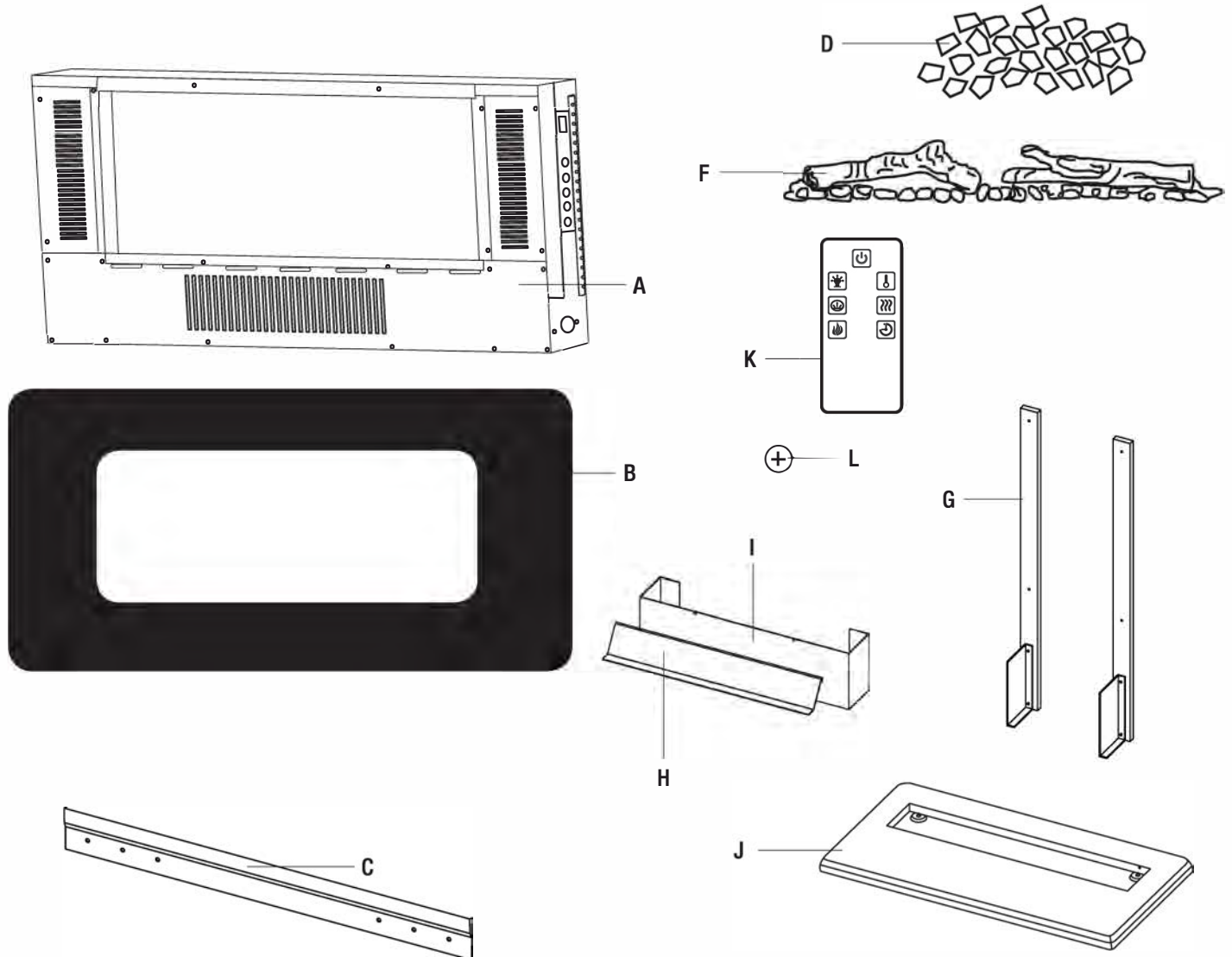


CC

Part	Description	Quantity
AA	Small Screw	12
BB	Large Screw	2
CC	Wall Anchor	2

## Pre-Installation (continued)

### PACKAGE CONTENTS



Part	Description	Quantity
A	Electric Firebox	1
B	Glass Front	1
C	Mounting Bracket	1
D	Acrylic Crystals	1
F	Log Set	1
G	Table Top Support	2

Part	Description	Quantity
H	Deflector	1
I	Front	1
J	Table Top Base	1
K	Remote Control	1
L	Battery (Pre-Install)	1

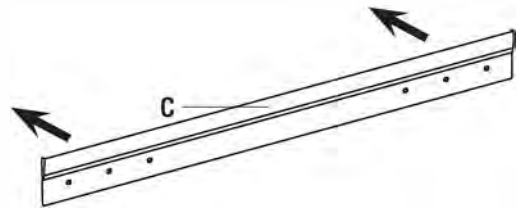
**Note:** Both table top supports are identical.

## Installation - Wall-Mount

### 1 Positioning the mounting bracket

Choose a solid wall. Position the mounting bracket (C) where the electric firebox (A) is to be installed on the wall, and ensure that the mounting bracket (C) is level.

Use a pen to mark the 2 mounting holes on the wall at the desired mounting location, using the mounting bracket (C) as a template.



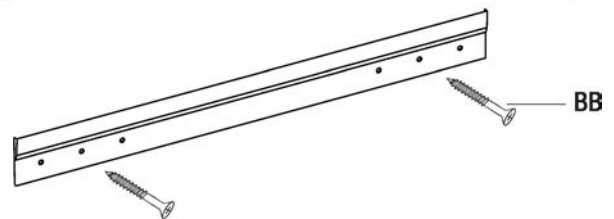
### 2 Securing the mounting bracket

Insert the 2 self-drilling wall anchors (CC) into the wall where previously marked. If installing the mounting bracket (C) to a wall stud, there is no need to drill the holes in the wood and no need for the plastic wall anchors (CC). It is recommended to install the mounting bracket to at least one stud.



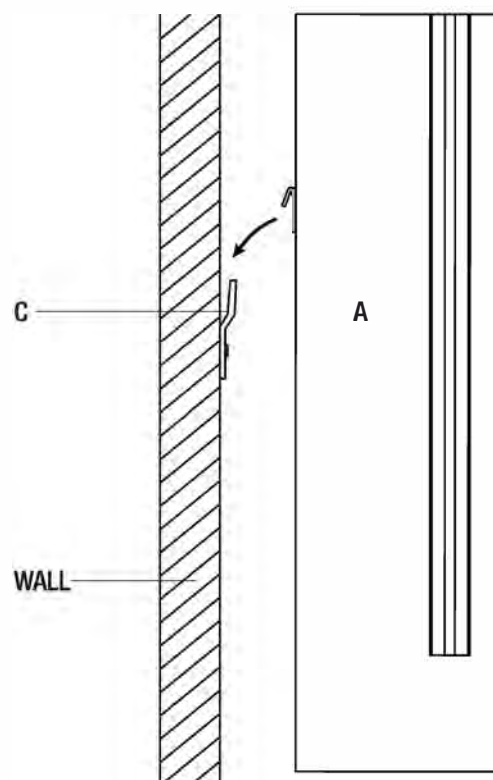
### 3 Securing the mounting bracket

Secure the mounting bracket (C) to the wall using 2 large screws (BB).



### 4 Hanging the electric firebox

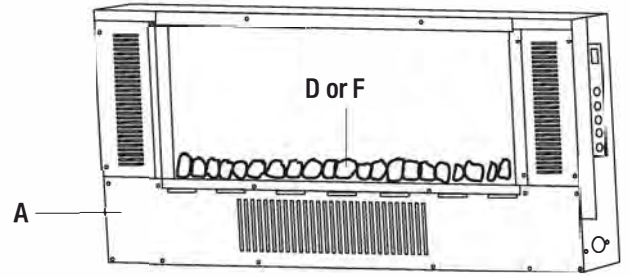
Hang the electric firebox (A) on the mounting bracket (C).



## Installation - Wall-Mount (continued)

### 6 Inserting the ember bed

Arrange the ember beds (acrylic crystals [D] or log set [F] ) along the inset window ledge at the front of the electric firebox (A).



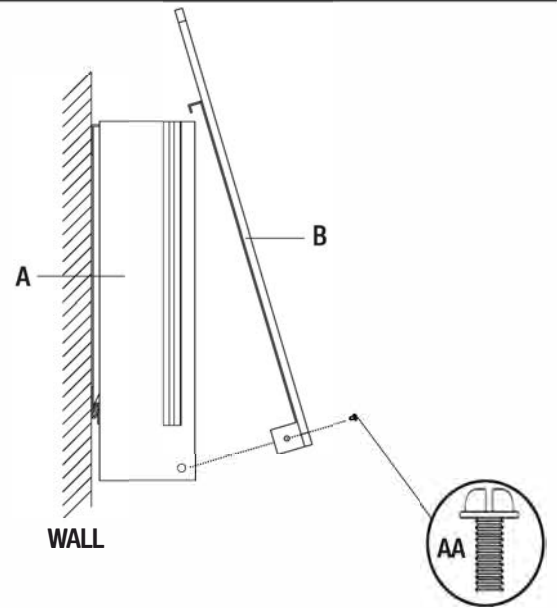
### 7 Installing the glass front



**NOTE:** This glass front is heavy. It is recommended that you use two people at this stage to prevent damage to the glass front or the electric firebox.

Lift the glass front (B) into place, making sure the 2 tabs on the top back of the glass front (B) fit securely into the holes on the top of the electric firebox (A).

Secure the glass front (B) by fastening two small screws (AA) on both sides.





# Préinstallation

## PLANIFIER L'INSTALLATION

Avant de commencer, ayez sous la main les directives d'installation et les articles de quincaillerie. Sortez toutes les pièces et comparez-les par rapport aux schémas ci-dessous. Assurez vous d'avoir toutes les pièces et de pouvoir les identifier. L'Assemblage de ce produit nécessite deux personnes. Il vous faudra environ 5-20 minutes pour faire l'assemblage.

Avant de commencer l'assemblage, utilisez des ciseaux pour déballer les pièces de leur emballage. **N'UTILISEZ PAS** un couteau pour ne pas couper le manteau à l'intérieur de la boîte et pour ne pas endommager la finition. Vérifiez le sac rouge contenant les articles de quincaillerie; ce sac se trouve à l'intérieur de l'emballage; le sac est fixé à l'aide de ruban adhésif sur la boîte supérieure. Assurez-vous que vous ne jetez aucune pièce.



**ATTENTION :** Cette boîte contient un panneau de VERRE! Soyez toujours extrêmement prudent quand vous manipulez du verre. Un manque de prudence pourrait causer une blessure ou des dommages à la propriété.

## SPÉCIFICATIONS

Modèle	SF310C-36
Dimensions de fixation murale L x P x H	91.4cm x 12.8cm x 44cm (36po x 5po x 17.3po)
Dimensions de support L x P x H	91.4cm x 21.1cm x 54.6cm (36po x 8.7po x 21.5po)
Poids net • Poids brut	15.4 kg / 34 lb (18 kg / 39.7 lb)
Tension	120V
Fréquence	60 Hz
Puissance nominale du dispositif de chauffage	1400 W / 11.7 A

## RACCORDEMENT ÉLECTRIQUE



**MISE EN GARDE:** Le câblage électrique doit être conforme aux codes du bâtiment locaux et à la réglementation en vigueur afin de prévenir les risques d'incendie, les chocs électriques et les blessures.

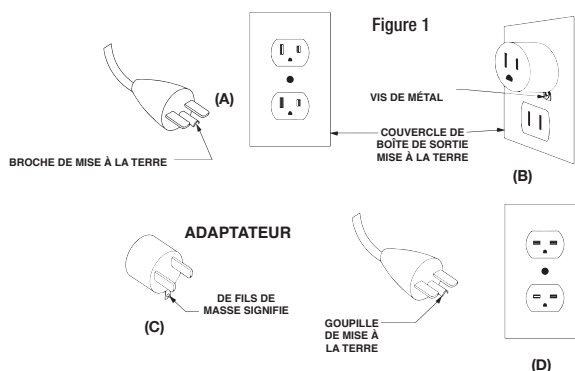


**MISE EN GARDE:** Ne pas utiliser le manteau de foyer si une partie de l'appareil a été immergée dans l'eau. Dans ce cas, communiquer immédiatement avec un technicien qualifié pour faire vérifier le manteau de foyer et pour faire remplacer les pièces du système électrique qui ont été immergées.

Un circuit pourvu d'une fiche mise à la terre est nécessaire pour le fonctionnement de cet appareil. De préférence, le manteau de foyer doit être un circuit indépendant et dédié, car les autres appareils sur un même circuit risqueraient de déclencher le disjoncteur lors du fonctionnement de l'appareil de chauffage. L'unité propose de série un cordon d'alimentation de 1,8 m / 6 pi raccordé derrière le manteau de foyer. Planifier une installation qui ne nécessite pas l'utilisation d'une rallonge. Toujours chauffer directement dans une prise de courant / de la prise murale. Ne jamais utiliser avec une rallonge ou du robinet d'alimentation relocatable (bande de sortie / puissance).

## INSTRUCTIONS DE MISE À LA TERRE

Ce foyer est pour une utilisation sur 120 volts. Le cordon d'alimentation comporte une fiche, comme illustré en (A) de la Figure 1. Un adaptateur, comme illustré en (C) est disponible pour raccorder des fiches à trois-lame de type mise à la terre à des réceptacles à deux fentes. Le crampon vert de mise à la terre s'étendant de l'adaptateur doit être raccordé à la masse en permanence comme une prise correctement mise à la terre. L'adaptateur ne doit pas être utilisé si un réceptacle mis à la terre de trois fentes est disponible.



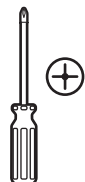
REMARQUE : Les adaptateurs ne doivent PAS être utilisés au Canada.

## Préinstallation (suite)

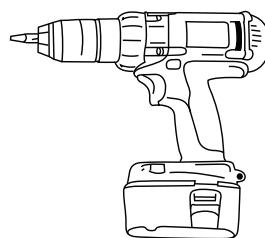
### OUTILS NÉCESSAIRES (NON INCLUS)



Lunettes de sécurité



Tournevis cruciforme



Perceuse

### MATÉRIEL INCLUS



**REMARQUE:** Les outils sont montrés dans leur taille réelle.



AA



BB

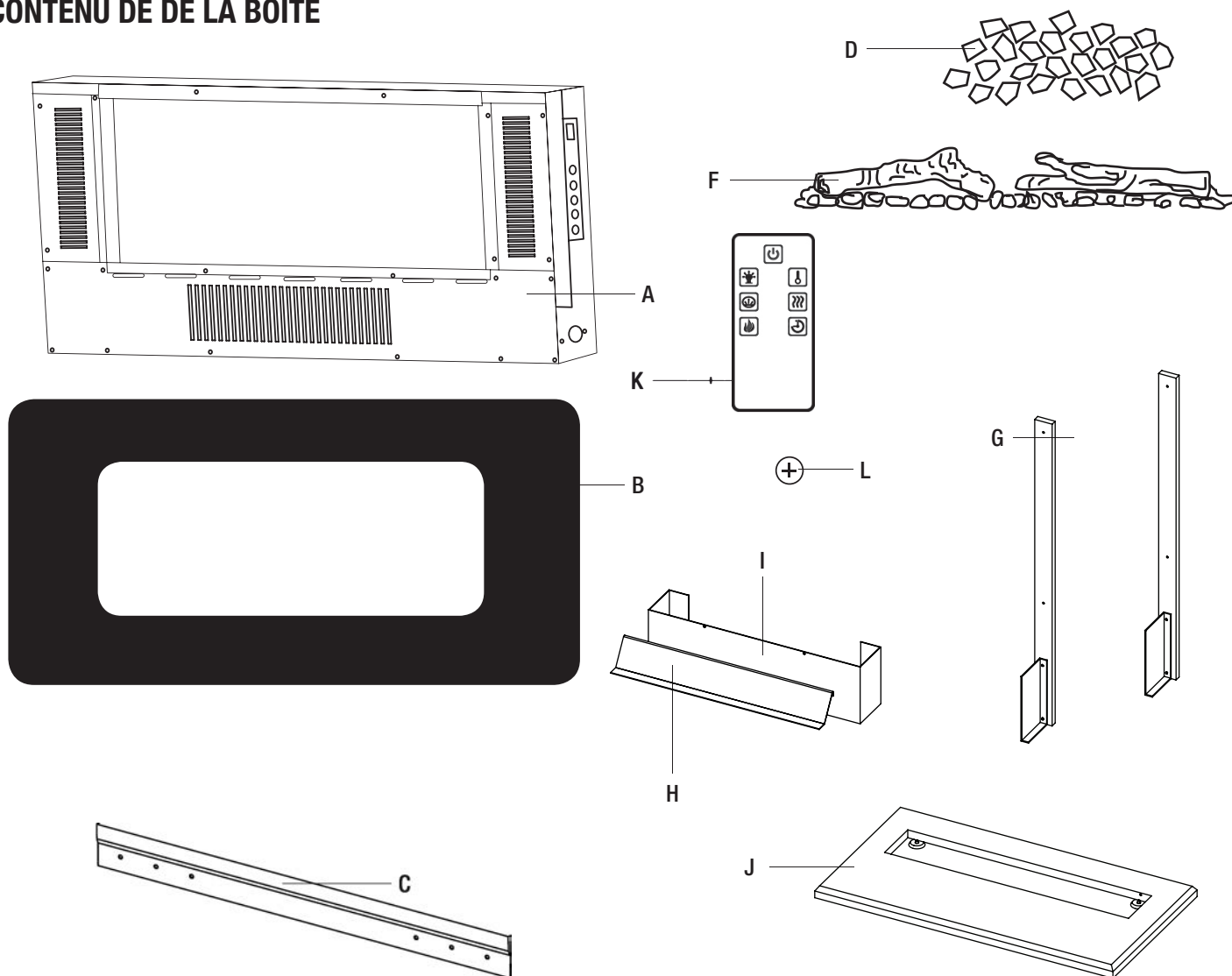


CC

Pièce	Description	Quantité
AA	Petite vis	12
BB	Grande vis	2
CC	Ancre	2

## Préinstallation (suite)

### CONTENU DE LA BOÎTE



Pièce	Description	Quantité
A	Foyer	1
B	Vitre avant	1
C	Support de montage (fixé à la boîte à combustion A)	1
D	Cristaux acryliques	1
F	Ensemble de bûches	1
G	Supports pour installation sur table	2

Pièce	Description	Quantité
H	Défecteu	1
I	Avant	1
J	Base pour installation sur table	1
K	Télécommande	1
L	Batterie (préinstaller)	1

Remarque : Les deux meilleurs supports de table sont identiques.

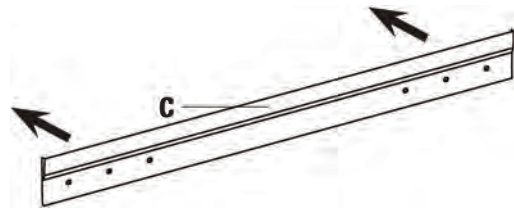
# Installation - Montage mural

## 1 Positionner le support de montage

Choisissez un mur solide. Positionnez le support de montage (C) à l'endroit où le foyer (A) sera installé sur le mur, et assurez-vous que le support de montage (C) est droit.

Utilisez un crayon pour marquer les 2 trous de montage sur le mur à l'emplacement de montage désiré, en

utilisant le support de montage (C) comme guide.



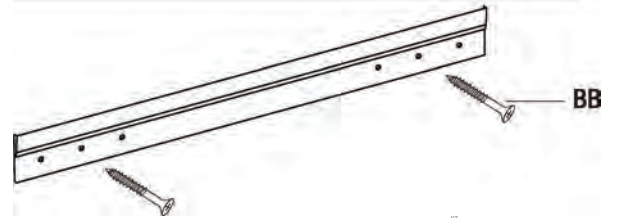
## 2 Fixer le support de montage

Insérez les 2 ancrages muraux autoperceurs (CC) dans le mur aux endroits marqués. Si vous installez le support de montage (C) sur un mur à montants, vous n'avez pas à percer les trous dans le bois et vous n'avez pas à utiliser les ancrages muraux de plastique (CC). Il est recommandé d'installer le support de montage à au moins un montant.



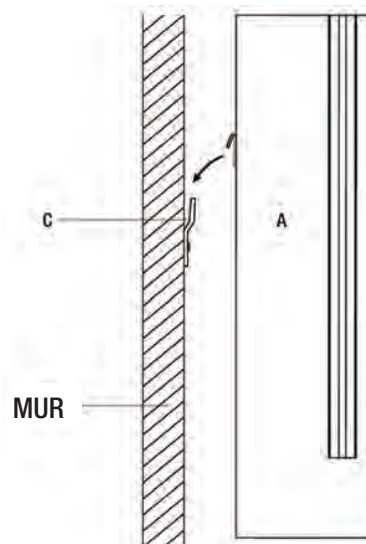
## 3 Fixer le support de montage

Fixez le support de montage (C) au mur à l'aide de quatre grandes vis (BB).



## 4 Accrocher le foyer

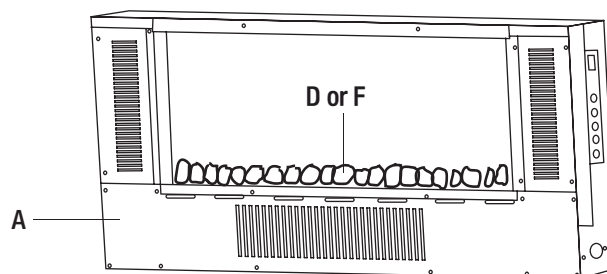
Accrocher la boîte à combustion électrique (A) au support de fixation (C).



## Installation - Montage mural (suite)

### 6 Insérer le lit de braises

- ~ Arrangez les lits de braises (cristaux acryliques [D], u bûches [F]) le long du bord de la fenêtre à l'avant du foyer (A).

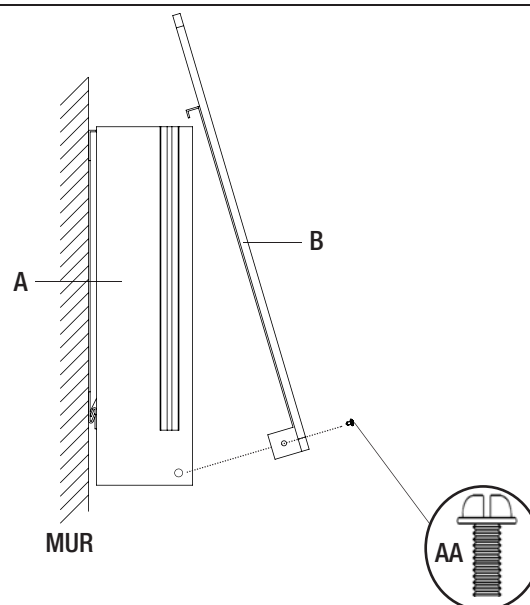


### 7 Installer la vitre avant



**REMARQUE :** Cette vitre est lourde. Il est recommandé d'avoir 2 personnes pour cette étape pour éviter d'endommager la vitre avant ou le foyer.

- ~ Soulevez la vitre avant (B), en vous assurant que les 2 languettes sur le côté arrière supérieur de la vitre avant (B) sont solidement placées dans les trous sur le dessus du foyer (A).
- ~ Fixez la vitre avant (B) en vissant deux petites vis (AA) sur chaque côté.



# Tabla de Contenidos

Tabla de contenidos . . . . .	34
Información de seguridad . . . . .	34
Garantía . . . . .	35
Pre-Instalación . . . . .	36

Instalación - Fijación a pared . . . . .	40
Instalación - Mueble . . . . .	42
Operación . . . . .	44
Cuidado y limpieza . . . . .	47

## Información de seguridad

### Conserve para referencias futuras: Lea cuidadosamente antes de usar

1. Lea todas las instrucciones antes de usar este calefactor
2. Siempre desenchufe este electrodoméstico cuando no se encuentre en uso.
3. Advierta a los niños de que no jueguen con este calefactor.
4. No haga funcionar el calefactor con un cable o enchufe dañado luego de una falla, de que se haya caído o se haya dañado de algún modo. Lleve el calefactor a un servicio técnico autorizado para que lo revisen, le realicen un ajuste eléctrico o mecánico, o lo reparen.
5. Sólo el servicio técnico autorizado y capacitado deberá reparar este electrodoméstico.
6. Este electrodoméstico no deberá ser modificado bajo ninguna razón. Las partes que se quiten para su mantenimiento sólo podrán ser reemplazadas con partes "OEM" (que provenga de un fabricante de equipamiento original).
7. No se utilice al aire libre.
8. Este electrodoméstico no está diseñado para su uso en baños, lavaderos u otros lugares similares. Nunca coloque este electrodoméstico en donde pueda caer a una bañera u otro recipiente con agua.
9. No pase el cable de alimentación por debajo de alfombrado. No cubra el cable de alimentación con artículos tales como tapetes o alfombras de pasillo, entre otros. Mantenga el cable de alimentación lejos de áreas de circulación para asegurarse de que no estorbe.
10. Para desconectar el calefactor, ponga los controles en OFF y luego quite el enchufe de la toma de corriente.
11. Conecte sólo a tomas de corriente correctamente conectadas a tierra.
12. Este electrodoméstico, una vez instalado, debe de estar conectado a tierra conforme a los códigos locales, bajo los códigos actuales CSA C22.1 de Electricidad Canadiense, o, para instalaciones en E.U.A. siga los códigos locales y el Código Eléctrico Nacional, ANSI/NFPA no. 70.
13. Hay un termostato limitador dentro del calefactor. Cuando la temperatura interior se sobrecalienta o en el caso de un calentamiento anormal, el dispositivo protector del termostato cortará la alimentación para evitar el daño al calefactor y el riesgo de incendio.
14. Este electrodoméstico contiene partes calientes y arqueadas o chispeantes en su interior. No se utilice en áreas en donde se use o almacene gasolina, pintura o líquidos inflamables. Este electrodoméstico no debe ser utilizado como tendedero para la ropa, ni tampoco debe haber medias de Navidad o decoraciones colgadas sobre o cerca de él.
15. Utilice este aparato sólo tal y como se describe en este manual. Cualquier otro uso no recomendado por el fabricante podría resultar en un incendio, una descarga eléctrica o daños personales.

16. El uso de una extensión eléctrica no es recomendada por el riesgo de incendio. Si se utiliza una extensión debe ser mínimo del No.14 AW nominal no inferior a 1875 W, y el cable de extensión debe ser un cable de tres clavijas con conexión a tierra el enchufe y el conector de cable. El cable de extensión no debe ser superior a 6 metros de longitud.
17. No utilice este aparato con un temporizador programable o cualquier otro dispositivo que encienda y apague el aparato de forma automática. Para evitar el peligro debido al reajuste accidental del protector térmico, este aparato no debe ser suministrado mediante un interruptor externo como un temporizador, ni conectado a un circuito que sea regularmente apagado y encendido por un servicio público.
18. Este producto contiene una batería de botón. Si se ingiere, puede causar lesiones graves o la muerte en tan sólo 2 horas. Busque atención médica de inmediato.



**PRECAUCIÓN:** Utilizar sólo con el soporte proporcionado o montado en la pared.



**ADVERTENCIA:** Este calentador está caliente cuando se encuentra en uso. Para evitar quemaduras, no permita que la piel al descubierto toque las superficies calientes. Si se proporcionan, utilice manijas para mover este electrodoméstico. Mantenga materiales combustibles, tales como muebles, almohadas, sobrecamas, papeles, ropa y cortinas al menos a 0.9 metros de distancia de la parte frontal, los laterales y la parte trasera.



**PRECAUCIÓN:** Al usar electrodomésticos, siempre se deben de seguir precauciones básicas para reducir el riesgo de incendio, descargas eléctricas y lesiones a personas.



**PRECAUCIÓN:** Para evitar un posible incendio, no bloquee las entradas de aire de la chimenea o del escape de ninguna manera. No opere la chimenea sobre superficies blandas como lo es una cama, en donde las aberturas puedan ser bloqueadas.



**PRECAUCIÓN:** No introduzca ni permita que objetos extraños entren en las aberturas de ventilación o de escape, ya que esto puede causar una descarga eléctrica o un incendio, o daños a la chimenea.



**PRECAUCIÓN:** Tenga mucho cuidado cuando cualquier chimenea esté siendo utilizada por o cerca de niños o minusválidos, y cuando el calentador se encuentre en funcionamiento sin ser supervisado.




**IMPORTANTE: GUARDE ESTAS INSTRUCCIONES.**

# Pre-Instalación

## PLAN DE INSTALACIÓN

Antes de comenzar con el ensamblado, localice las instrucciones y las partes. Compare todas las partes con la herramienta incluida y con las listas del contenido del empaque. Asegúrese de contar con todas las partes e identificarlas. Una mano amiga siempre es bienvenida. Si es posible, ensamble su calefactor con un asistente adulto. Algunas partes son pesadas y tendrán que ser sostenidas por un ayudante. El tiempo de ensamblado tomará aproximadamente de 5 minutos a 20 minutos.


Antes del ensamblado, utilice tijeras para desenvolver las partes del empaque. No utilice una navaja ya que puede cortar las partes del calefactor dentro de la caja y dañar el acabado. Busque la bolsa roja de herramientas situada en el interior del empaque, que se encuentra pegada a la parte superior de la caja. No deseche ninguna pieza. Utilice un desarmador apropiado para insertar y apretar todos los tornillos.


 **ADVERTENCIA:** ¡Esta caja contiene un panel de vidrio! Tenga extremo cuidado siempre que esté manejando cristal. El no hacerlo podría resultar en daños personales o materiales.

## ESPECIFICACIONES

Modelo no.	SF310C-36
Dimensiones del Montaje en pared an. x pr. x al.	91.4cm x 12.8cm x 44cm (36pulg x 5pulg x 17.3pulg)
Dimensiones como soporte de pie an. x pr. x al.	91.4cm x 21.1cm x 54.6cm (36pulg x 8.7pulg x 21.5pulg)
Peso neto • Peso bruto	15.4 kg / 34 lb (18 kg / 39.7 lb)
Voltaje	120V
Frecuencia	60 Hz
Capacidad nominal del calefactor	1400 W / 11.7 A

## CONEXIÓN ELÉCTRICA

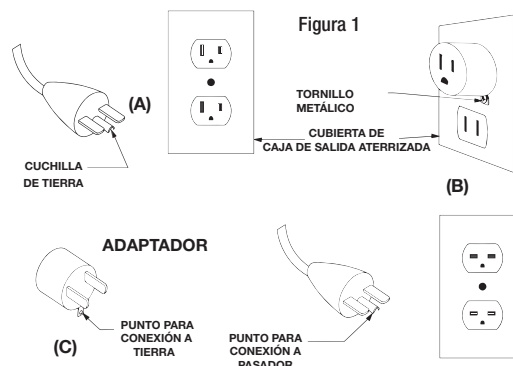
 **ADVERTENCIA:** El cableado de la toma de corriente debe cumplir con los códigos locales de construcción y demás normativas aplicables para reducir el riesgo de incendio, descarga eléctrica y lesiones a personas.

 **ADVERTENCIA:** No utilice este calefactor si cualquier parte del mismo ha estado bajo el agua. Llame inmediatamente a un técnico calificado para que inspeccione el calefactor y reemplace cualquier parte del sistema eléctrico que haya estado bajo el agua.

Para el funcionamiento correcto de este aparato se necesita un circuito con un tomacorriente debidamente conectado a tierra. Preferentemente, el inserto para el calefactor deberá contar con un circuito exclusivo, ya que otros aparatos en el mismo circuito pueden disparar o quemar al fusible cuando está funcionando el calefactor. La unidad viene de fábrica con un cable de tres conductores de 1,8 metros y que sale por detrás del inserto del calefactor. Planee la instalación para evitar el uso de un cable de extensión. Siempre conecte los calentadores directamente a una toma de corriente/receptáculo. Nunca se utilice con un cable de extensión o con una fuente de alimentación móvil (toma de corriente/regleta).

## INSTRUCCIONES DE CONEXIÓN A TIERRA

Este calefactor es para uso con 120 voltios. El cable tiene un enchufe como se muestra en (A) en la Figura 1. Un adaptador como se muestra en (C) está disponible para conectar enchufes de tres cuchillas con conexión a tierra. La orejeta verde de conexión a tierra que se extiende del adaptador, debe ser conectada a una tierra permanente como una caja de salida aterrizada adecuadamente. El adaptador no debe ser usado si está disponible un receptáculo aterrizado de tres ranuras.



NOTA: Los adaptadores NO son para uso en Canadá.

## Control remoto

Este dispositivo cumple con las reglas de la FCC parte 15. La operación está sujeta a las siguientes dos condiciones:

(1) Este dispositivo no puede causar interferencias perjudiciales, y (2) este dispositivo debe aceptar cualquier interferencia recibida, incluyendo interferencias que pueda causar funcionamiento no deseado. No existe garantía de que no ocurra interferencia en una instalación en particular. Si este equipo efectivamente causa interferencia dañina a la recepción de radio o televisión, lo cual puede determinarse apagando y encendiendo el equipo, se recomienda al usuario que trate de corregir la interferencia realizando uno o varios de los siguientes pasos:

- Cambie de dirección o de lugar la antena receptora.
- Aumente la separación entre el equipo y el receptor.
- Conecte el equipo en un tomacorriente en un circuito diferente de donde esté conectado el receptor.
- Consulte al concesionario o a un técnico de radio/TV con experiencia para que le ayude.

Este control remoto requiere 1 batería plana de litio (tamaño CR2025), la cual viene incluida.

Advertencia: Cambios o modificaciones a esta unidad que no estén expresamente aprobados por la parte responsable por conformidad pueden anular la autorización del usuario para operar el equipo.

### ADVERTENCIA



NO mezcle baterías viejas con nuevas.

NO use baterías recargables de óxido de plata con la unidad del control remoto.

NO mezcle baterías alcalinas, estándar (Carbón-Cinc) o recargables (Níquel-Cadmio).

NO deseche las baterías en el fuego. La eliminación inadecuada puede hacer que las baterías goteen o exploten.



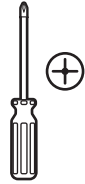
## Pre-Instalación (continuación)

(D)

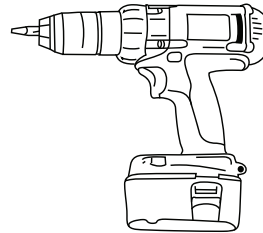
### HERRAMIENTAS REQUERIDAS (NO INCLUIDOS)



Gafas de seguridad



Desarmador Phillips



Taladro

### HERRAMIENTAS INCLUIDAS



NOTA: Las herramientas son mostradas en su tamaño real.



AA



BB

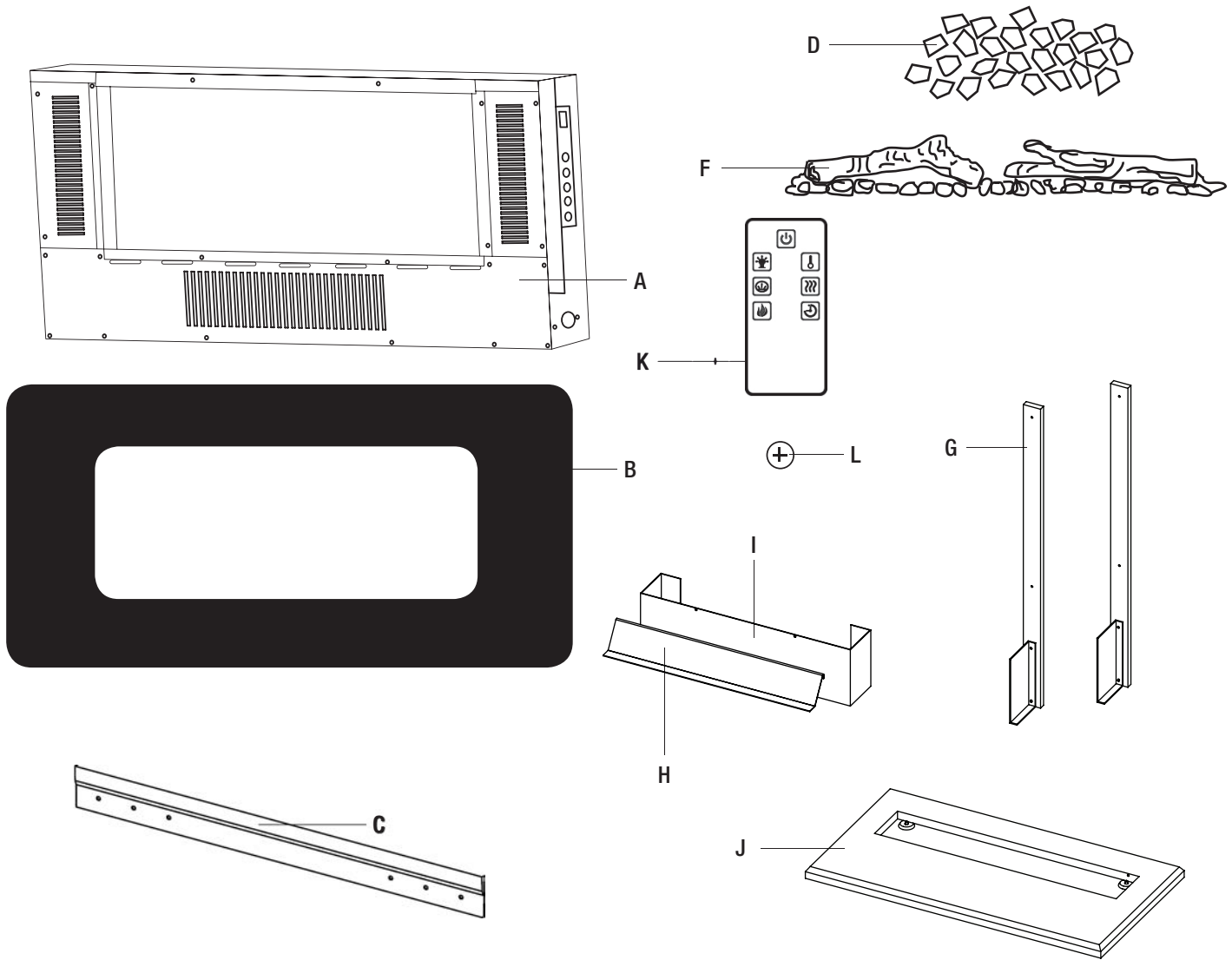


CC

Parte	Descripción	Cantidad
AA	Tornillo pequeño	12
BB	Tornillo grande	2
CC	Anclaje de pared	2

# Pre-Instalación (continuación)

## CONTENIDO DEL PAQUETE



Parte	Descripción	Cantidad
A	Calefactor	1
B	Cristal frontal	1
C	Soporte de Montaje (conectado al calefactor A)	1
D	Cristales de acrílico	1
F	Leños	1
G	Soportes para mueble	2

Parte	Descripción	Cantidad
H	Deflector	1
I	Frente	1
J	Base del calefactor	1
K	Control remoto	1
L	Batería (preinstalación)	1

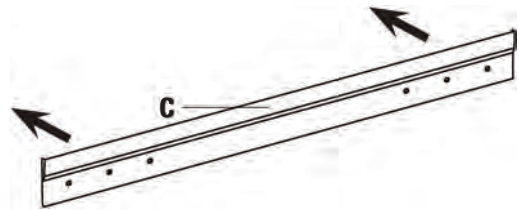
Nota: Las dos principales soportes para mueble son idénticos.

## Instalación - Fijación a pared

### 1 Posicionamiento del soporte de montaje

Elija una pared sólida. Posicione el soporte de montaje (C) donde vaya a instalar el calefactor (A) en la pared, y asegúrese de que el soporte de montaje (C) esté a nivel.

Utilice un bolígrafo para marcar los 2 agujeros de montaje en la pared, en el lugar deseado, utilizando como modelo el soporte de montaje (C).



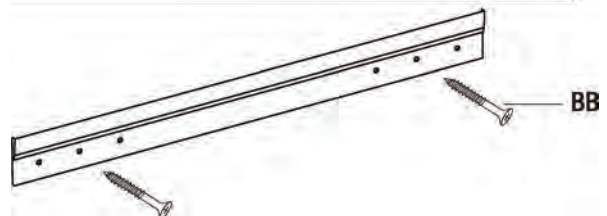
### 2 Fijación del soporte de montaje

Inserte los 2 anclajes de auto-taladrado (CC) en el lugar marcado en la pared. Si está instalando el soporte de montaje (C) a un montante de la pared, no hay necesidad de taladrar los agujeros en la madera ni necesita usted los anclajes de pared (CC). Se recomienda instalar el soporte de montaje al menos a un montante.



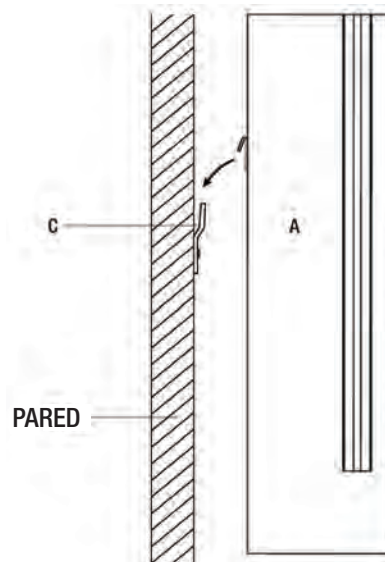
### 3 Fijación del soporte de montaje

Fije el soporte de montaje (C) a la pared con cuatro tornillos grandes (BB).



### 4 Cómo colgar el calefactor

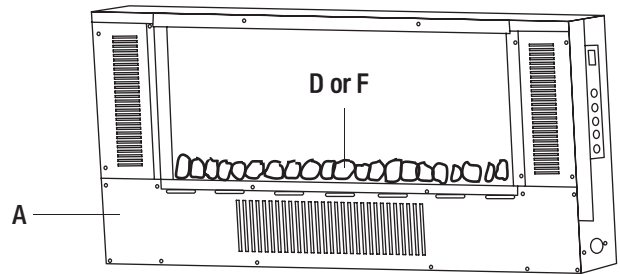
Colocación de la cámara de combustión eléctrica (A) al soporte de montaje (C).



## Instalación - Fijación a pared (continuación)

### 5 Inserción de la capa de brasas

- ~ Coloque la capa de brasas (cristales de acrílico [D] o leños [F] ) a lo largo de la inserción del alféizar en la parte delantera del calefactor (A).



### 6 Instalación del cristal frontal



**NOTA:**El cristal frontal es pesado. Se recomienda el uso de dos personas en esta fase, para prevenir daños al cristal frontal o al calefactor.

- ~ Levante el cristal frontal (B) a su sitio, asegurándose de que las dos tapas en la parte trasera de arriba del cristal frontal (B) encajan correctamente en los agujeros encima del calefactor (A).
- ~ Fije el cristal frontal (B) fijando dos tornillos pequeños (AA) a los dos lados.

