

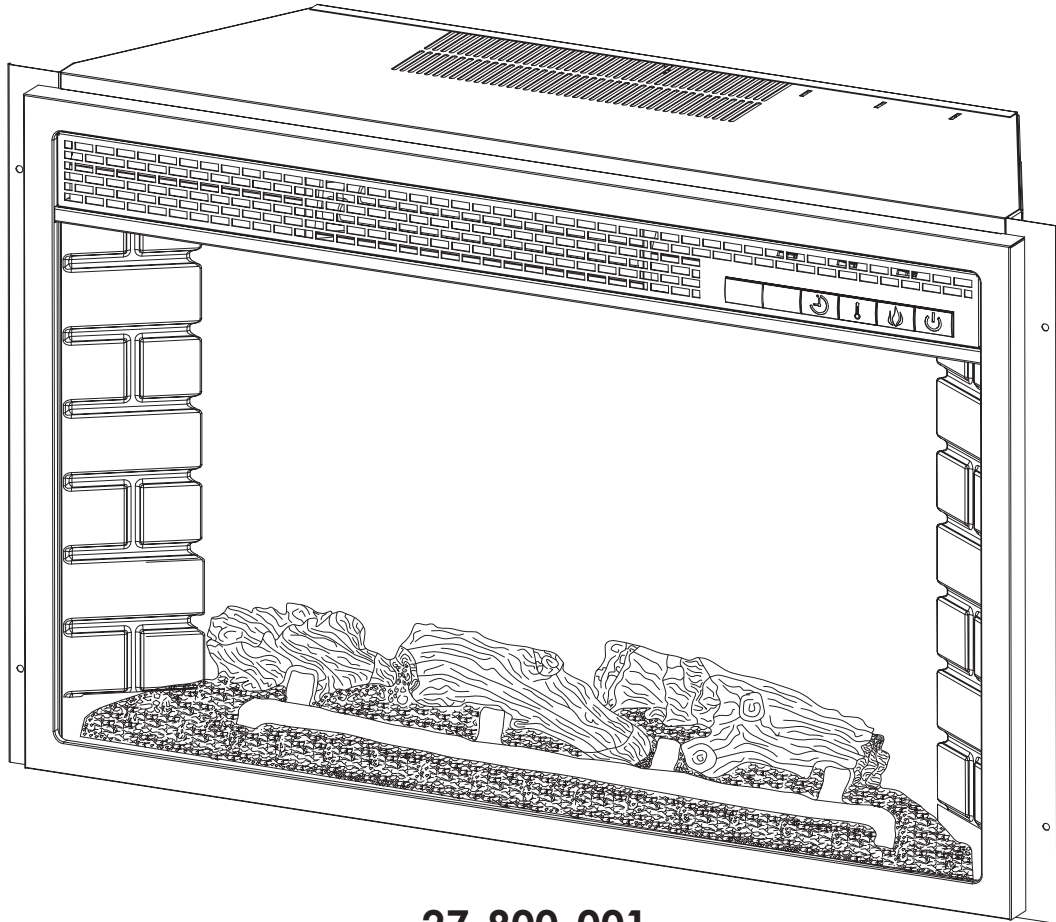
# Muskoka®

ELECTRIC FIREBOX

FOYER ÉLECTRIQUE

HOGAR ELÉCTRICO

USE AND CARE GUIDE | GUIDE D'UTILISATION ET D'ENTRETIEN | GUÍA DE USO Y CUIDADO



27-800-001



**IMPORTANT:  
SAVE THESE  
INSTRUCTIONS.**

**PLEASE READ THIS MANUAL BEFORE  
INSTALLING AND USING APPLIANCE**

**WARNING!**  
IF THE INFORMATION IN THIS MANUAL IS NOT FOLLOWED  
EXACTLY, AN ELECTRICAL SHOCK OR FIRE MAY RESULT  
CAUSING PROPERTY DAMAGE, PERSONAL INJURY OR LOSS OF LIFE.

Retain this manual for future use.

**IMPORTANT :  
CONSERVER CES  
INSTRUCTIONS.**

**VEUILLEZ LIRE CE MANUEL AVANT L'INSTALLATION  
ET L'UTILISATION DE VOTRE FOYER**

**AVERTISSEMENT!**  
SI LES RENSEIGNEMENTS DE CE MANUEL NE SONT PAS EXACTEMENT  
SUIVIS, UN CHOC ÉLECTRIQUE OU UN INCENDIE PEUT SURVENIR, ET  
CAUSER DES DOMMAGES, DES BLESSURES OU LA PERTE DE VIE

Conserver ce manuel pour une utilisation ultérieure.

**IMPORTANTE:  
GUARDE ESTAS  
INSTRUCCIONES.**

**POR FAVOR LEA LAS INSTRUCCIONES DE  
INSTALACIÓN Y DE OPERACIÓN ANTES DE  
USAR ESTE CAJA DE FUEGO**

**¡ADVERTENCIA!**  
SI NO SIGUE EXACTAMENTE LA INFORMACIÓN EN ESTE MANUAL, PODRÍA  
RESULTAR EN CHOQUES ELÉCTRICOS O INCENDIO QUE PUEDEN CAUSAR  
DAÑOS A LA PROPIEDAD, LESIONES PERSONALES O LA PÉRDIDA DE LA VIDA.

Guarde este manual para futuras referencias.

# Table of Contents

Table of Contents . . . . .	2	Tools Required . . . . .	6
Safety Information. . . . .	2	Hardware Included . . . . .	6
User Instructions . . . . .	3	Package Contents. . . . .	6
Grounding Instructions . . . . .	3	Operation. . . . .	7
Locating Your Fireplace . . . . .	3	Maintenance. . . . .	8
Mantel Installation. . . . .	3	Glass information. . . . .	8
Firebox Specifications. . . . .	3	Maintenance of Motors . . . . .	8
Electrical Connection. . . . .	3	Battery Replacement . . . . .	9
Remote Control. . . . .	4	Circuit Diagram . . . . .	9
Warranty. . . . .	5	Care and Cleaning. . . . .	9
Pre-Installation . . . . .	6	Troubleshooting. . . . .	10
Planning Installation. . . . .	6	Service Parts. . . . .	11

# Safety Information

1. Read all instructions before using this heater.
2. This heater is hot when in use. To avoid burns, do not let bare skin touch hot surfaces. If provided, use handles when moving this heater. Keep combustible materials, such as furniture, pillows, bedding, papers, clothes, and curtains at least 3 feet (0.9 meters) from the front of the heater and keep them away from the sides and rear.
3. Extreme caution is necessary when any heater is used by or near children or invalids and whenever the heater is left operating and unattended.
4. Always unplug heater when not in use.
5. Do not operate any heater with a damaged cord or plug or after the heater malfunctions, has been dropped or damaged in any manner. Return heater to authorized service facility for examination, electrical or mechanical adjustment, or repair.
6. Do not use outdoors.
7. This heater is not intended for use in bathrooms, laundry areas and similar indoor locations. Never locate heater where it may fall into a bathtub or other water container.
8. Do not run power cord under carpeting. Do not cover power cord with throw rugs, runners, or the like. Arrange power cord away from traffic area and where it will not be tripped over.
9. To disconnect heater, turn controls to off, then remove plug from outlet.
10. Connect to properly grounded outlets only.
11. Do not insert or allow foreign objects to enter any ventilation or exhaust openings as this may cause an electric shock or fire, or damage the heater.
12. To prevent a possible fire, do not block firebox air intakes or exhaust in any manner. Do not operate firebox on soft surfaces, like a bed, where openings may become blocked.
13. A heater has hot and arching or sparking parts inside. Do not use in areas where gasoline, paint, or flammable liquids are used or stored.
14. Use this heater only as described in this manual. Any other use not recommended by the manufacturer may cause fire, electrical shock, or injury to persons.
15. Always plug heaters directly into a wall outlet/receptacle. Never use with an extension cord or relocatable power tap (outlet/power strip).
16. This electric fireplace is not designed for "zero" clearance wall and/or cabinet/millwork installations. Accessibility for servicing and maintenance must be possible without disturbing building structures and/or cabinet/millwork finishes.

## 17. SAVE THESE INSTRUCTIONS



# Safety Information (continued)

## USER INSTRUCTIONS

1. Any repairs to this appliance should be carried out by qualified/authorized service personnel only.
2. Under no circumstances should this appliance be modified. Parts having to be removed for servicing must be replaced with original "OEM" (original equipment manufacturers) parts only.
3. This firebox is to be cleaned with a damp cloth (water) only.

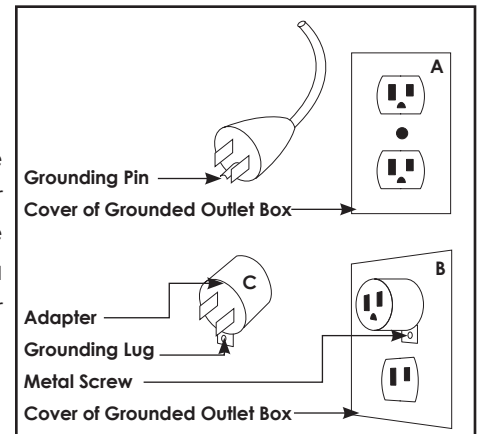
**IMPORTANT: Always unplug the power cord before cleaning the unit. Do not use any abrasive cleaners on the unit.**

4. Unplug this firebox when not in use.

## GROUNDING INSTRUCTIONS

This heater is for use on 120 volts. The cord has a plug as shown in figure 1A in the diagram. An adapter as shown in figure 1C is available for connecting three-blade grounding-type plugs to two-slot receptacles. The green grounding lug extending from the adapter must be connected to a permanent ground such as a properly grounded outlet box. The adapter should not be used if a three-slot grounded receptacle is available.

(Note: Grounding adapter use prohibited in Canada)

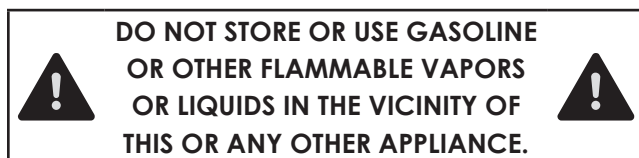


## LOCATING YOUR FIREPLACE

When choosing a location for your new fireplace, ensure the general instructions are followed. Also, for best effect install the fireplace out of direct sunlight. It is safe to set the fireplace insert close to non-combustibles.

## MANTEL INSTALLATION

Please refer to the detailed instructions that came with the mantel that you purchased.



## 27-800-001 SPECIFICATIONS

Fireplace Insert dimensions (w x d x h)	27.75" x 8" x 17.25" 70.4 cm x 20.2 cm x 44 cm
Voltage	120 V
Frequency	60 Hz
Watts • Amps.	1440W • 12A

## ELECTRICAL CONNECTION

A 15 Amp, 120 Volt, 60 Hz circuit with a properly grounded outlet is required to operate this appliance. Preferably, the fireplace insert will be on a dedicated circuit as other appliances on the same circuit may cause the circuit breaker to trip or the fuse to blow when the heater is in operation. The unit comes standard with a 6 ft (1.8 m) long 3 wire cord, exiting out the back of the fireplace insert. Plan the installation to avoid the use of an extension cord. Always plug heaters directly into a wall outlet/receptacle. Never use with an extension cord or relocatable power tap (outlet/power strip).



# Safety Information (continued)

## REMOTE CONTROL

This device complies with Industry Canada license-exempt RSS standard(s). Operation is subject to the following two conditions: (1) this device may not cause interference, and (2) this device must accept any interference, including interference that may cause undesired operation of the device.

This Class (B) device complies with Part 15 of the FCC Rules and Canadian ICES-003. Operation is subject to the following two conditions:

(1) This device may not cause harmful interference, and (2) this device must accept any interference received, including interference that may cause undesired operation. There is no guarantee that interference will not occur in a particular installation. If this equipment does cause harmful interference to radio or television reception, which can be determined by turning the equipment off and on, the user is encouraged to try to correct the interference by one or more of the following measures:

- Reorient or relocate the receiving antenna.
- Increase the separation between the equipment and receiver.
- Connect the equipment into an outlet on a circuit different from that to which the receiver is connected.
- Consult the dealer or an experienced radio/TV technician for help.

This remote control requires 1 Lithium Coin Cell Battery (size CR2025), which is included.

**CAUTION:** Changes or modifications to this unit not expressly approved by the party responsible for compliance could void the user's authority to operate the equipment.



DO NOT mix old and new batteries.

DO NOT use rechargeable silver oxide cell batteries with remote control unit.

DO NOT mix alkaline, standard (Carbon-Zinc), or rechargeable (Nickel-Cadmium) batteries.

DO NOT dispose of batteries in fire. Improper disposal may cause batteries to leak or explode.



**WARNING: Never attempt to disassemble or alter the product in any way not instructed by this manual.**

# 1 Year Warranty

## WHAT IS COVERED

The manufacturer warrants that your new electric fireplace is free from manufacturing and material defects for a period of one year from date of purchase, subject to the following conditions and limitations.

This electric fireplace must be installed and operated at all times in accordance with the instructions furnished with the product. Any alteration, willful abuse, accident, or misuse of the product shall nullify this warranty. This warranty is non-transferrable, and is made to the original owner, provided that the purchase was made through an authorized supplier of the manufacturer. This warranty is limited to the repair or replacement of part(s) found to be defective in material or workmanship, provided that such part(s) have been subjected to normal conditions of use and service, after said defect is confirmed by the manufacturer's inspection. The manufacturer may, at its discretion, fully discharge all obligations with respect to this warranty by refunding the wholesale price of the defective part(s).

## WHAT IS NOT COVERED

Any installation, labor, construction, transportation, or other related costs/expenses arising from defective part(s), repair, replacement, or otherwise of same, will not be covered by this warranty, nor shall the manufacturer assume responsibility for same. Further, the manufacturer will not be responsible for any incidental, indirect, or consequential damages, except as provided by law.

All other warranties - expressed or implied - with respect to the product, its components and accessories, or any obligations/liabilities on the part of the manufacturer are hereby expressly excluded. The manufacturer neither assumes, nor authorizes any third party to assume, on its behalf, any other liabilities with respect to the sale of this product. The warranties as outlined within this document do not apply to nonmanufacturer accessories used in conjunction with the installation of this product.

This warranty does not cover the light bulb(s) included with the fireplace.

This warranty is void if: the fireplace has been operated in atmospheres contaminated by chlorine, fluorine, or other damaging chemicals; the fireplace is subjected to prolonged periods of dampness or condensation; the fireplace is altered, willfully abused, damaged by accident, or misused in any way.

Make sure you have your warranty, your sales receipt, and the model/serial number of your product.

## DO NOT ATTEMPT TO DO ANY SERVICE WORK YOURSELF. PLEASE CONTACT CUSTOMER SERVICE AT:



1-877-447-4768

[www.ghpgroupinc.com](http://www.ghpgroupinc.com)



271 Massey Road, Guelph, Ontario, N1K 1B2

6440 W. Howard Street, Niles, Illinois 60714

# Pre-Installation

## PLANNING INSTALLATION

To avoid scratching the finish, assemble the product on a soft, non-abrasive surface, such as carpet or cardboard. Assembly of this product may require more than one person.

## TOOLS REQUIRED



Safety Goggles



Phillips screwdriver

## HARWARE INCLUDED

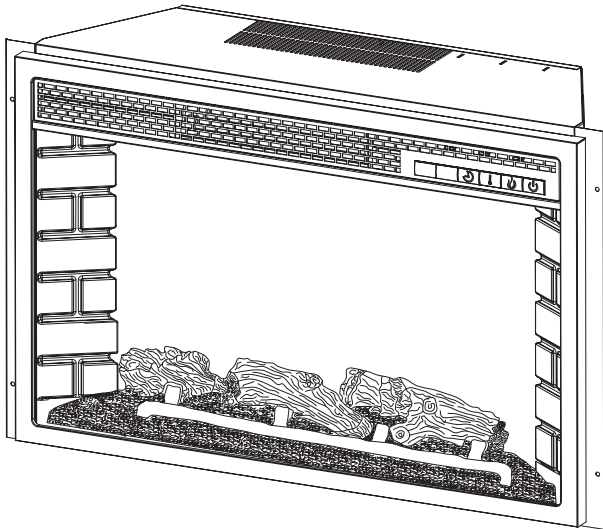
Note: Hardware not shown to actual size.

AA



PART	DESCRIPTION	QUANTITY
AA	Screws (ST4)	4

## PACKAGE CONTENTS



A

PART	DESCRIPTION	QUANTITY
A	Fireplace Insert	1
B	Remote Control	1



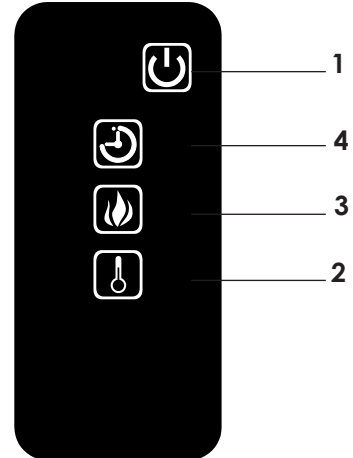
B

# Operation

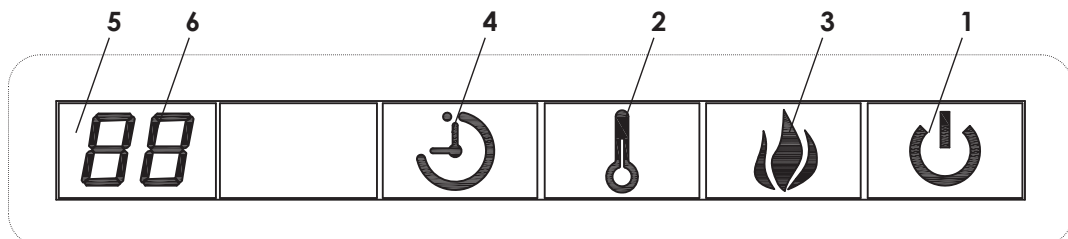
NOTE: When the heat function is used for the first time, a slight odor may be present. This is normal and should not occur again unless the heater is not used for an extended period of time.

## USING THE CONTROL PANEL

1. Check that the heater outlet grill is not covered or obstructed in anyway, and make sure the power to the unit is switched on.
2. The fireplace can be accessed in two ways: Using the touchpad control panel, or using the multifunction remote control unit.
3. Press the appropriate button to operate your fireplace:



1. Main Power Button: This button supplies power to all of the fireplace functions. It must be turned on for the fireplace to work.
2. Heater Control Button: This button controls the heater ON/OFF. When the temperature unit is set as 'F' or 'C', the temperature scope are as follows:  
  
"F" =Fahrenheit temperature 86°F, 84°F, 82°F, 80°F, 78°F, 76°F, 74°F, 72°F, 70°F, 68°F, 66°F, 64°F, 62°F.  
  
"C" =Celsius temperature 30°C, 29°C, 28°C, 27°C, 26°C, 25°C, 24°C, 23°C, 22°C, 21.C, 20°C, 19°C, 18°C, 17°C.
3. Flame Control Button: This button controls the brightness of the flame effect with settings at High, Medium, and Low. When the log set is first turned on, the flame will come on at the highest setting. The log set will remember the last flame setting used and in later use the flame brightness will start at that setting, unless power to the unit has been interrupted. Each time the flame button is pressed, the flame brightness decreases. The only way to turn off the flame effect completely is to turn off the main power button (1).
4. Timer Button: This button controls the ON/OFF and 8-time setting from 1 H to 8 H. When the Timer is first turned on, it will come on at the shortest time setting (1 H). Each time the Timer button is pressed, the time increases 1 hour, up to the longest setting (8 hours). Once the set time expires, all fireplace functions will be automatically turned off.
5. Fahrenheit/Celsius Display: This button displays F (Fahrenheit) or C (Celsius) depending on how the temperature mode is set. When the fireplace is turned on, the Fahrenheit (F) temperature will be displayed. To switch from Fahrenheit to Celsius, or vice-versa, when the HEATER is ON, hold HEATER CONTROL button for 10 seconds. The fireplace will remember the last temperature mode setting, and in later use, the display will start at that setting, unless power to the unit has been interrupted.
6. Temperature/Timer Display: This LED display shows the set point for the temperature and timer functions. When either of these functions is activated, the display reflects the set point for five seconds and then fades to black. Any change in the set point of the temperature or timer will reactivate the display, which again fades after five seconds.



# Maintenance



**DANGER: Disconnect power before servicing.**



**WARNING: Any electrical re-wiring of this appliance must be done by a qualified electrician. This wiring must be done in accordance with local codes and/or in Canada with the current CSA C22.1 Canadian Electrical Code, and for US installations, the National Electrical Code ANSI/NFPA NO 70.**



**WARNING: If repairing or replacing any electrical component or wiring, the original wire routing, color coding and securing locations must be followed.**

## GLASS INFORMATION

1. Under no circumstances should this product be operated with a broken or chipped glass panel.
2. Do not strike or slam the glass.
3. Do not use abrasive cleansers to clean the glass. Make sure the glass is cool to the touch.
4. This product uses tempered glass. Replacement of the glass supplied by the manufacturer should be done by qualified/authorized service personnel only.

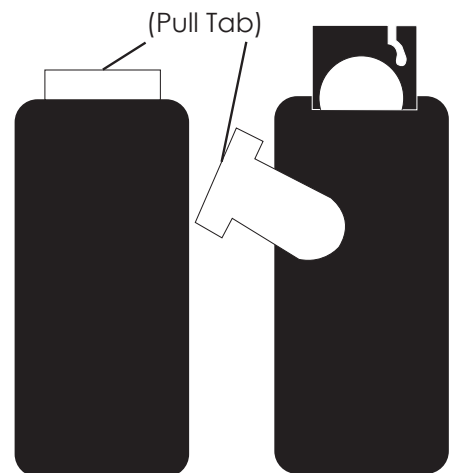
## MAINTENANCE OF MOTORS

1. Always disconnect the appliance from the main power supply and allow it to cool before any servicing operation.
2. The motors used on the fan heater and flame blower are pre-lubricated for extended bearing life and require no further lubrication. However, periodic cleaning/vacuuming of the appliance around the air intake and exhaust, as well as the fan heater is recommended. For heavy or continuous use, periodic cleaning must be done more frequently. If the heater blows alternating cold and warm air, check the fan for free movement and for debris restricting air flow. If the fan does not move freely, the unit be turned off and fan replaced immediately in order to prevent further damage to the unit.

## REMOTE CONTROL INFORMATION

The infrared remote control relies on a line of sight and must be pointed at the flame/screen of the fireplace to work. The remote control unit has the controls required to turn ON/OFF both the main power and the heater. If you prefer to use the touchpad control on the fireplace unit itself, open the control panel sliding cover to access the touchpad buttons. The layout of the buttons on touchpads and remote control unit can be seen on the previous page.

The plastic tab inside the battery compartment **MUST** be removed before the remote control will operate.



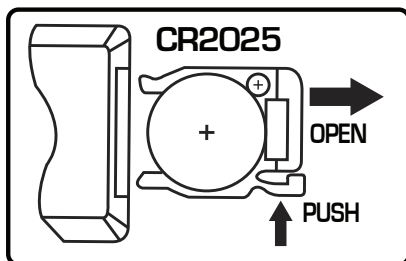


## Maintenance (continued)

### BATTERY REPLACEMENT

Please dispose of the used battery per municipal or provincial/state law.

**BATTERY REPLACEMENT PROCEDURE: (SIZE CR2025)**



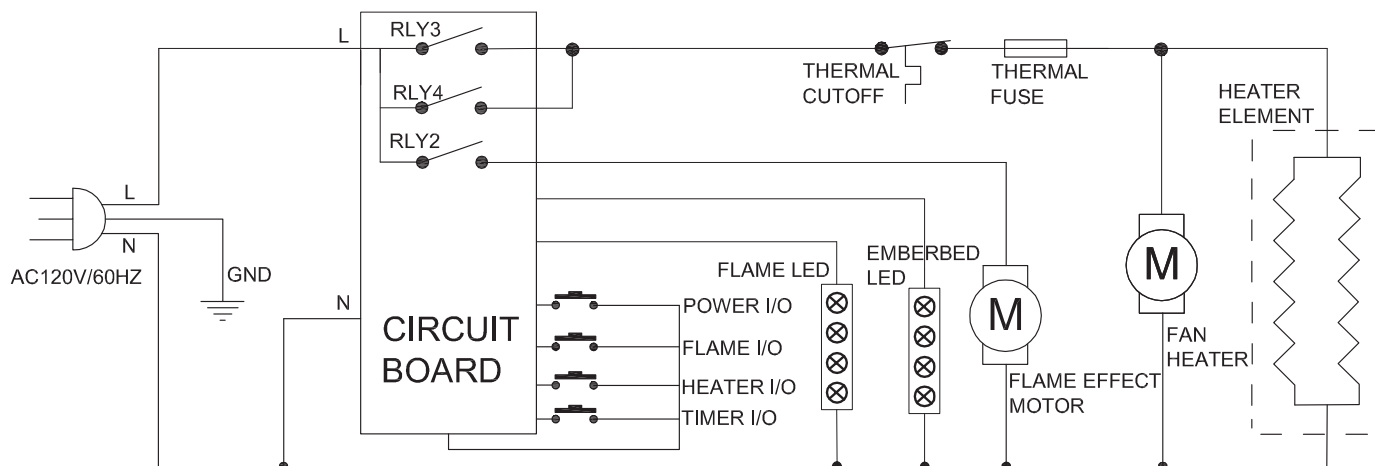
**THIS PRODUCT CONTAINS BATTERIES. IF SWALLOWED, IT COULD CAUSE SEVERE INJURY OR DEATH IN JUST 2 HOURS. SEEK MEDICAL ATTENTION IMMEDIATELY.**

**RELEASE**

### Circuit Diagram



**DANGER: Disconnect power before servicing.**



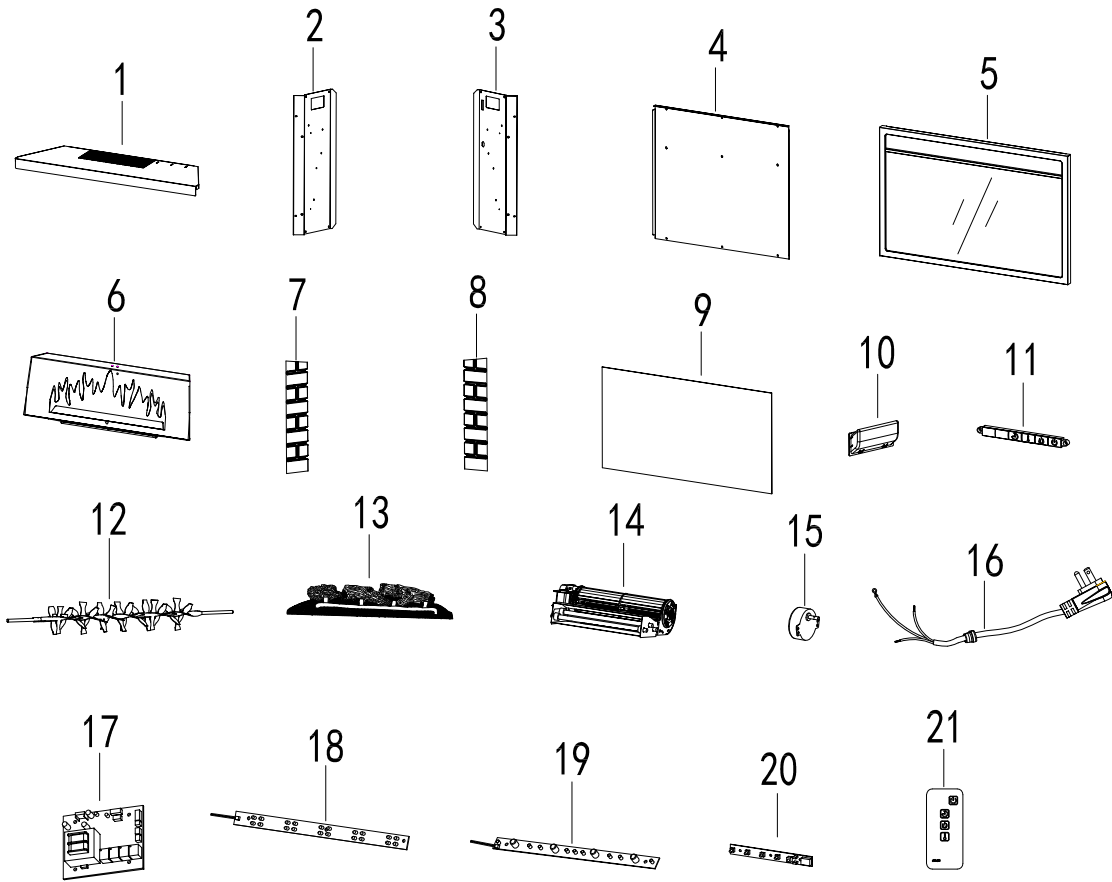
### Care and Cleaning

1. Always turn the heater OFF and unplug the power cord from the outlet before cleaning.
2. Cleaning of the control panel, located in the upper right-hand corner of the fireplace is to be done only using a soft cloth, slightly dampened in water (if needed, a small amount of dish soap can be added to the water) and dried using a clean, dry soft cloth. Cleaning of the screen diffuser is to be done using only water and lint free cloth. DO NOT use any abrasive on the controls or the diffusing screen.

# Troubleshooting

PROBLEM	POSSIBLE CAUSE	SOLUTION
The fireplace does not operate.	The fireplace is not plugged in. A circuit breaker is tripped or a fuse blown. The ON/OFF switch is defective. There is loose wiring.	Make sure the fireplace is plugged in to a standard 120V outlet. Check additional appliances on the circuit; ideally the fireplace should be on a dedicated 15-amp circuit. Call customer service. Call customer service.
The power light is ON but the flame effect is not visible.	The fireplace is not operating correctly. Light bulbs are not functioning. Loose wiring	Refer to the operating instructions. Refer to Replacing the Light Bulbs Call customer service.
The heater is not operating.	Incorrect operation. The heater switch is defective. The heater assembly is defective. There is loose wiring. The vents are dirty or clogged.	Refer to the operating instructions. Call customer service. Call customer service. Call customer service. Unplug the unit. Clear the vent area of dust and debris. Wait ten minutes, plug the unit in again and turn on the heater
There is excessive noise when the heater is operating.	Dirty or clogged blower. The heater assembly is defective.	Refer to Maintenance of Motors in Care and Maintenance. Call customer service.
The power light is ON but the ember bed flame is not flickering.	Light bulbs are not functioning. Loose wiring.	Refer to Replacing the Light Bulbs Call customer service.
There is excessive noise when the flame is ON but the heater is OFF.	The rotating flame reflector shaft rubbing against the housing. The flame reflector shaft motor is defective.	Open the back of the firebox and reposition the flame reflector shaft. Turn off the unit prior to servicing. Call customer service.

# Service Parts



Part	Description	Part #
1	Top Panel	EF27900001AC
2	Left Side Panel Assembly	EF27900002AC
3	Right Side Panel Assembly	EF27900003AC
4	Back Panel	EF27900004AC
5	Trim Assembly	EF27900005AC
6	Flame Panel	EF27900006AC
7	Left Brick Side Panel	EF27900007AC
8	Right Brick Side Panel	EF27900008AC
9	Screen	EF27900009AC
10	Handle	EF27900010AC
11	Control Panel	EF27900011AC

Part	Description	Part #
12	Flame Reflector	EF27900012AC
13	Logset	EF27900013AC
14	Heater	EF24900007AC
15	Synchronous Motor	EF27900015AC
16	Power Cord & Connector	EF27900016AC
17	Main Board	EF27800017AC
18	Flame - LED	EF27900018AC
19	Embedded - LED Strip	EF27900019AC
20	Control Panel Circuit Board	EF27900020AC
21	Remote Control	EF33510AS-15

# Muskoka®

Muskoka® is a registered trademark of GHP Group Inc.



1-877-447-4768 • [www.ghpgroupinc.com](http://www.ghpgroupinc.com)



# Table des matières

Table des matières . . . . .	12	Outils requis . . . . .	16
Mesures de sécurité . . . . .	12	Matériel inclus . . . . .	16
Instructions d'utilisateur . . . . .	13	Contenu . . . . .	16
Instructions de mise à la terre . . . . .	13	Fonctionnement . . . . .	17
Positionnement de foyer . . . . .	13	Maintenance . . . . .	18
Installation du manteau de foyer . . . . .	13	Information sur la verre . . . . .	18
Spécifications de foyer . . . . .	13	Entretien des moteurs . . . . .	18
Branchement électrique . . . . .	13	Remplacement de pile . . . . .	19
Télécommande . . . . .	14	Schéma électrique . . . . .	19
Garantie . . . . .	15	Entretien et nettoyage . . . . .	19
Pré-installation . . . . .	16	Dépannage . . . . .	20
Planification de l'installation . . . . .	16	Pièces de rechange . . . . .	21

## Mesures de sécurité

1. Lire toutes les instructions avant d'utiliser cet appareil de chauffage.
2. Cet appareil de chauffage est chaud lorsqu'il est utilisé. Pour éviter les brûlures, ne pas toucher aux surfaces chaudes de l'appareil à mains nues. Au besoin, utiliser les poignées pour déplacer l'appareil. Garder les matières combustibles comme les meubles, les oreillers, la literie, le papier, les vêtements et les rideaux à au moins 3 pi (0,9m) du pourtour de l'appareil (avant, côtés, arrière).
3. Il faut user d'une extrême prudence lorsque l'appareil est utilisé par des enfants ou des personnes handicapées, ou lorsque ces derniers sont à proximité et que l'appareil est laissé sans surveillance.
4. Débrancher toujours l'appareil lorsqu'il n'est pas utilisé.
5. Ne pas utiliser un appareil de chauffage pourvu d'un cordon d'alimentation ou d'une fiche endommagés, ni après une défaillance de l'appareil, ni si l'appareil est tombé au sol ou s'il a été endommagé de quelque façon. Retourner l'appareil de chauffage à un atelier de service autorisé pour faire effectuer une vérification, un ajustement des systèmes électriques et mécaniques ou pour toute réparation.
6. Ne pas utiliser à l'extérieur.
7. Cet appareil de chauffage n'a pas été conçu pour être utilisé dans une salle de bain, une salle de lavage ni pour tout autre endroit similaire à l'intérieur. Ne jamais placer cet appareil où il pourrai tomber dans la baignoire ou un contenant rempli d'eau.
8. Ne pas acheminer le cordon sous un tapis. Ne pas couvrir le cordon d'une moquette ou d'un tapis, ou de tout autre matériau similaire. Disposer le cordon à bonne distance des zones de passage, à un endroit où il ne risque pas d'être un obstacle.
9. Pour débrancher l'appareil, tourner la commande en position d'arrêt (OFF), puis débrancher la fiche de la prise murale.
10. Brancher à des prises mises à la terre seulement.
11. Ne laisser aucun objet étranger pénétrer dans les ouvertures de ventilation ou d'échappement pour éviter une décharge électrique, un incendie et les dommages à l'appareil.
12. Pour éviter les risques d'incendie, ne pas obstruer les prises d'admission d'échappement de l'air. Ne pas utiliser le manteau de foyer sur des surfaces souples comme un lit pour éviter d'obstruer les ouvertures.
13. Un appareil de chauffage est pourvu de pièces internes produisant des arcs électriques ou des étincelles. Ne pas utiliser l'appareil dans une pièce où de l'essence, de la peinture ou des liquides inflammables sont utilisés ou entreposés.
14. Utiliser cet appareil de chauffage en suivant les instructions du manuel. Toute autre utilisation du produit non recommandée par le fabricant pourrait être à l'origine d'un incendie, d'une décharge électrique ou de blessures.
15. Toujours chauffe brancher directement dans une prise de courant / de la prise murale. Ne jamais utiliser avec une rallonge ou du robinet d'alimentation relocatable (bande de sortie / puissance).
16. Ce foyer électrique n'est pas conçu pour mur "zéro" de jeu et / ou installations armoire / menuiserie. Accessibilité pour l'entretien et la maintenance doit être possible sans perturber les structures de construction et / ou finitions armoire / menuiserie.
17. **CONSERVER CES INSTRUCTIONS**

# Mesures de sécurité (suite)

## INSTRUCTIONS D'UTILISATEUR

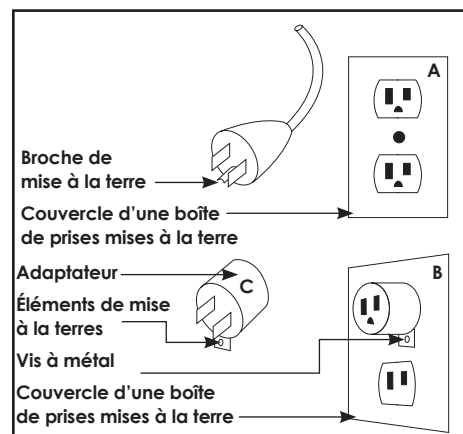
1. Toute réparation de cet appareil doit être effectuée par un personnel d'entretien qualifié et autorisé seulement.
2. La modification de cet appareil est absolument interdite. Les pièces qui doivent être déposées pour un service d'entretien doivent être remplacées des pièces d'origine seulement.
3. Le manteau de foyer doit être nettoyé avec un chiffon humide seulement.

**IMPORTANT : Toujours débrancher le cordon d'alimentation avant de nettoyer l'unité. Ne pas utiliser de détergents abrasifs pour nettoyer l'appareil.**

4. Toujours débrancher l'appareil lorsqu'il n'est pas utilisé.

## INSTRUCTIONS DE MISE À LA TERRE

Cet appareil fonctionne sous une tension de 120 volts. Le cordon d'alimentation a été branché comme le montre la figure 1A du diagramme. Un adaptateur, comme le montre la figure 1C, peut être utilisé pour raccorder une fiche à trois broches (mise à la terre) à une prise à deux fentes. La fiche de mise à la terre verte de l'adaptateur doit être raccordée à une mise à la terre permanente (prise de courant mise à la terre). L'adaptateur ne doit pas être utilisé si une prise à trois fentes mise à la terre est disponible. (Notez: Utilisation d'un adaptateur est interdit au Canada)

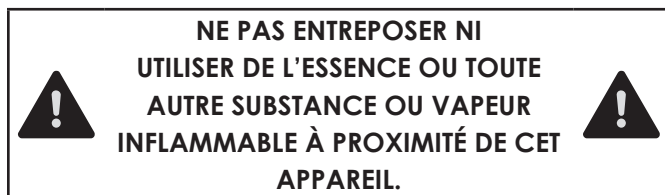


## POSITIONNEMENT DE FOYER

Lors du choix de l'emplacement de votre nouveau foyer, s'assurer d'observer les recommandations générales suivantes. De même, pour une apparence optimale, ne pas exposer le foyer directement au soleil. Il est sécuritaire de placer le manteau de foyer électrique à bonne distance de toute matière combustible.

## INSTALLATION DU MANTEAU DE FOYER

Prière de consulter les instructions détaillées qui accompagnent votre manteau de foyer.



## 27-800-001 SPÉCIFICATIONS

Manteau de foyer	27.75" x 8" x 17.25"
dimension (w x d x h)	70.4 cm x 20.2 cm x 44 cm
Tension	120 V
Fréquence	60 Hz
Puissance • Intensité	1440W • 12A

## BRANCHEMENT ÉLECTRIQUE

Un circuit de 120 volts, 15 ampères, 60 Hz pourvu d'une fiche mise à la terre est nécessaire pour le fonctionnement de cet appareil. De préférence, le manteau de foyer doit être un circuit indépendant et dédié, car les autres appareils sur un même circuit risqueraient de déclencher le disjoncteur lors du fonctionnement de l'appareil de chauffage. L'unité propose de série un cordon d'alimentation de 6 pi (1,8 m) raccordé derrière le manteau de foyer. Planifier une installation qui ne nécessite pas l'utilisation d'une rallonge. Toujours chauffer brancher directement dans une prise de courant / de la prise murale. Ne jamais utiliser avec une rallonge ou du robinet d'alimentation relocatable (bande de sortie / puissance).



# Mesures de sécurité (suite)

## TÉLÉCOMMANDE

Le présent appareil est conforme aux CNR d'Industrie Canada applicables aux appareils radio exempts de licence. L'exploitation est autorisée aux deux conditions suivantes : (1) l'appareil ne doit pas produire de brouillage, et (2) l'utilisateur de l'appareil doit accepter tout brouillage radioélectrique subi, même si le brouillage est susceptible d'en compromettre le fonctionnement.

Ce dispositif est conforme aux règles de la FCC Partie 15 fonctionnement est soumis aux deux conditions suivantes: (1) Ce dispositif ne peut pas provoquer d'interférences nuisibles, et (2) cet appareil doit accepter toute interférence reçue, y compris les interférences qui peuvent provoquer un fonctionnement indésirable. Il n'existe aucune garantie contre des interférences se produisant dans le cadre d'une installation particulière. Si l'équipement engendre des interférences nuisant à la réception radio ou télévisuelle (ce qui peut être déterminé en le mettant hors tension, puis en le remettant sous tension), vous êtes encouragé à tenter d'y remédier en ayant recours à l'une des mesures suivantes:

- Réorienter ou déplacer l'antenne réceptrice.
- Augmenter la séparation entre l'équipement et le récepteur.
- Brancher l'équipement à une prise sur un circuit différent de celui sur lequel le récepteur est branché.
- Consulter le revendeur ou un technicien radio/TV expérimenté pour obtenir de l'aide.

La télécommande nécessite 1 pile au lithium (type CR2025), qui est incluse.

Avertissement: Les modifications apportées à cet équipement qui ne sont pas expressément approuvées par l'entité responsable de la conformité pourraient annuler l'autorisation de l'utilisateur à utiliser l'équipement.

N'UTILISEZ PAS de vieilles piles avec des piles neuves.



N'UTILISEZ PAS de piles rechargeables à oxyde d'argent-cadmium avec la télécommande.

N'UTILISEZ PAS de piles alcalines, ordinaires (carbone-zinc) ou rechargeables (nickel-cadmium) ensemble.

NE JETEZ PAS les piles au feu. Une mise au rebut inadéquate pourrait causer une fuite ou faire exploser les piles.



**AVERTISSEMENT: N'essayez jamais de démonter ou changer le produit de quelque façon non instruit par ce manuel.**

# Garantie Limitée D'un An

## CE QUI EST COUVERT

Le fabricant garantit que votre nouveau foyer électrique est exempt de défauts de matériau et de fabrication pour une période d'un an à compter de la date d'achat, sous réserve des conditions et limitations suivantes.

Ce foyer électrique doit être installé et fonctionner en tout temps conformément aux instructions fournies avec le produit. Toute altération, abus volontaire, accident ou mauvais usage du produit annulera cette garantie. Cette garantie n'est pas transférable et est faite au propriétaire d'origine, à condition que l'achat a été effectué par l'intermédiaire d'un fournisseur agréé du fabricant. Cette garantie est limitée à la réparation ou au remplacement de la pièce qui comporte un défaut de matériel ou de fabrication, à condition que cette pièce ait été soumise à des conditions normales d'utilisation et de service, après que ledit défaut soit confirmé par l'inspection du fabricant. Le fabricant peut, à sa discrétion, assumer pleinement toutes ses obligations à l'égard de cette garantie en remboursant le prix de gros de la pièce défectueuse.

## QU'EST-CE QUI N'EST PAS COUVERT

Toute installation, travail, construction, transport ou autres frais connexes/dépenses découlant de pièce(s) défectueuse(s), réparation, remplacement, ou sinon de même, ne sont pas couverts par cette garantie, ni que le fabricant assume la responsabilité de même. En outre, le fabricant ne pourra être tenu pour responsable de tout dommage indirect, ou dommages indirects, sauf dans les cas prévus par la loi.

Toutes les autres garanties - expresses ou implicites - en ce qui a trait au produit, ses composants et accessoires, ou toutes les obligations ou responsabilités de la part du fabricant sont expressément exclues. Le fabricant n'assume, ni n'autorise aucun tiers à assumer en son nom toute autre passif à l'égard de la vente de ce produit. Les garanties décrites dans le présent document ne s'appliquent pas aux accessoires, autres que ceux du fabricant, utilisés en conjonction avec l'installation de ce produit.

Cette garantie ne couvre pas les ampoules incluses avec le foyer.

Cette garantie est nulle si : le foyer a été utilisé dans une atmosphère contaminée par du chlore, du fluor, ou autres produits chimiques nuisibles; le foyer est soumis à des périodes prolongées d'humidité ou de condensation; le foyer est modifié, sciemment abusé, endommagé par accident, utilisation abusive de quelque façon.

Assurez-vous d'avoir votre garantie, votre reçu de vente et le modèle/numéro de série de votre produit.

**NE PAS TENTER DE FAIRE TOUT TRAVAIL D'ENTRETIEN VOUS-MÊME. COMMUNIQUEZ AVEC LE SERVICE À LA CLIENTÈLE AU NUMÉRO SANS FRAIS SUIVANT :**



1-877-447-4768

[www.ghpgroupinc.com](http://www.ghpgroupinc.com)



271 Massey Road, Guelph, Ontario, N1K 1B2

6440 W. Howard Street, Niles, Illinois 60714

# Pré-installation

## PLANIFICATION DE L'INSTALLATION

Pour éviter d'endommager ce produit, assembler sur une surface douce, non abrasive comme du tapis ou du carton. L'assemblage de ce produit peut nécessiter plus d'une personne.

## OUTILS REQUIS



Lunettes de sécurité    Tournevis Phillips

## MATÉRIEL INCLUS

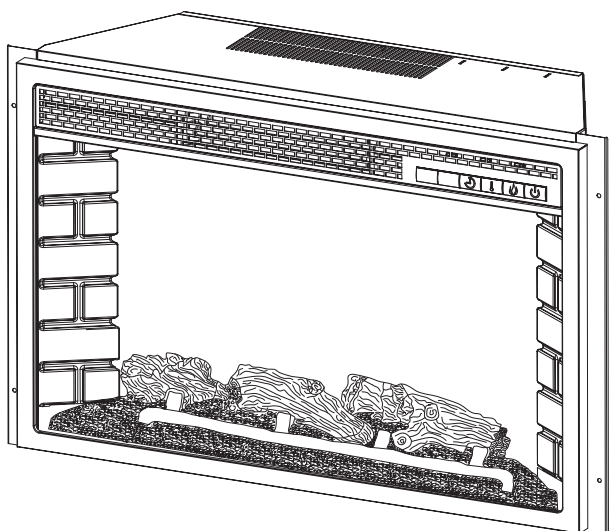
Matériel non représenté à la taille réelle.

AA



PIÈCE	DESCRIPTION	QUANTITÉ
AA	Vis (ST4)	4

## CONTENU



A

PIÈCE	DESCRIPTION	QUANTITÉ
A	Foyer électrique	1
B	Télécommande	1



B

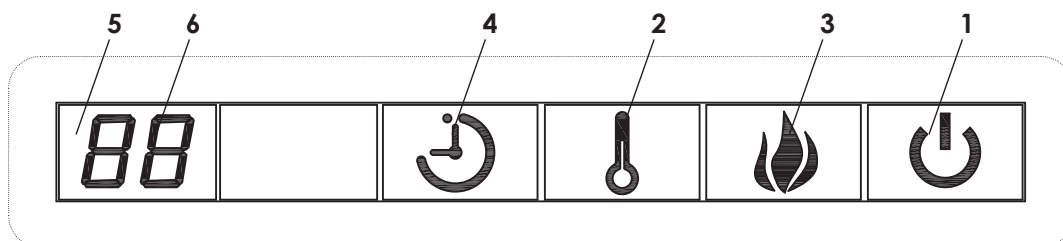
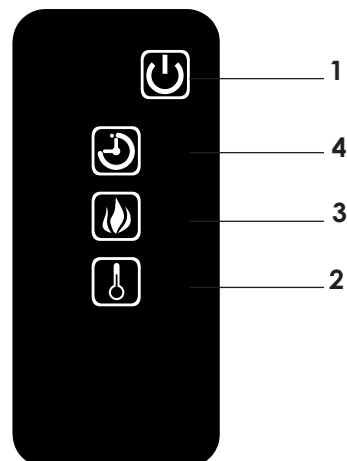


# Fonctionnement

REMARQUE : Lorsque la fonction de chauffage est utilisée pour la première fois, une légère odeur peut être présente. Ceci est normal et ne devrait pas se produire à nouveau à moins que le chauffage ne soit pas utilisé pendant une période de temps prolongée.

## UTILISATION DU PANNEAU DE COMMANDE

1. Vérifier que le gril de sortie de l'appareil de chauffage n'est pas couvert ou obstrué de quelque façon, et s'assurer que l'appareil est allumé.
2. Le foyer peut être accessible de deux manières : À l'aide du pavé tactile du panneau de commande ou à l'aide de la télécommande.
3. Appuyer sur le bouton approprié pour faire fonctionner votre foyer :
1. Interrupteur général : Ce bouton alimente toutes les fonctions du foyer. Il doit être activé pour que le foyer fonctionne.
2. Bouton de commande de l'appareil de chauffage : Ce bouton commande le chauffage ON / OFF. Lorsque l'unité de température est définie comme "F" ou "C", la portée de la température sont les suivantes :  
  
"F" = Température Fahrenheit 86°F, 84°F, 82°F, 80°F, 78°F, 76°F, 74°F, 72°F, 70°F, 68°F, 66°F, 64°F, 62°F.  
  
"C" = Température Celsius 30°C, 29°C, 28°C, 27°C, 26°C, 25°C, 24°C, 23°C, 22°C, 21°C, 20°C, 19°C, 18°C, 17°C.
3. Bouton de commande de la flamme : Ce bouton de commande permet de régler l'intensité lumineuse des flammes (élevée, moyenne et faible). Les flammes sont réglées sur l'intensité lumineuse maximale lors de la première mise en marche du jeu de bûches. Le jeu de bûches conserve son réglage de flamme en mémoire et il utilise la même intensité lumineuse lors du prochain usage, à moins d'une coupure de courant. Il est possible de diminuer l'intensité lumineuse des flammes en appuyant sur ce bouton. Seul l'interrupteur principal (1) permet d'éteindre complètement les flammes.
4. Bouton de minuterie : Ce bouton commande les fonctions de marche et d'arrêt ainsi que 8 réglages d'heure allant de 1 H à 8 H. Lorsque vous mettez la minuterie en marche pour la première fois, le réglage est défini à 1 heure. Chaque fois que le bouton de minuterie est enfoncé, le réglage augmente de 1 heure, jusqu'au réglage le plus long (8 heures). Une fois la durée atteinte, toutes les fonctions de foyer seront automatiquement désactivées.
5. Affichage Fahrenheit/Celsius : Ce bouton affiche F (Fahrenheit) ou C (Celsius) en fonction du réglage du mode de température. Lorsque le foyer est allumé, la température Fahrenheit (F) s'affiche. Pour basculer de Fahrenheit à Celsius, ou vice versa, lorsque l'APPAREIL DE CHAUFFAGE est en marche, maintenir le bouton de COMMANDE DU CHAUFFAGE enfoncé pendant 10 secondes. Le foyer conserve son dernier réglage de température en mémoire et, à moins d'une coupure de courant, démarre à ce réglage à la prochaine utilisation.
6. Affichage de Température/Minuterie : Cet afficheur DEL affiche le point de consigne pour les fonctions de température et de minuterie. Lorsque l'une ou l'autre de ces fonctions est activée, l'affichage reflète le point de consigne pendant cinq secondes, puis s'estompe. Tout changement dans le point de consigne de la température ou de la minuterie réactivera l'affichage, qui s'estompera après cinq secondes.



# Maintenance



**DANGER: Débrancher l'alimentation électrique avant d'effectuer les travaux d'entretien.**



**AVERTISSEMENT : Tout recâblage de cet appareil doit être effectué par un électricien agréé. Veillez à ce que le câblage soit effectué conformément aux codes locaux ou, au Canada, à la plus récente version du Code canadien de l'électricité, CSA C22.1 ou, dans le cas des installations aux É.-U., au code national de l'électricité, ANSI/NFPA N° 70.**



**AVERTISSEMENT : En cas de réparation ou de remplacement d'un composant ou d'un câble électrique, respectez l'acheminement des câbles, les codes de couleur et les emplacements de fixation d'origine.**

## INFORMATION SUR LA VERRE

1. Il ne faut en aucun cas que ce produit fonctionne avec le verre cassé.
2. Ne pas frapper ou claquer le verre.
3. Ne pas utiliser de produits abrasifs pour le nettoyage du verre.
4. Ce produit utilise du verre trempé. Le remplacement du verre fourni par le fabricant doit être effectuée par un technicien qualifié.

## ENTRETIEN DES MOTEURS

1. Toujours débrancher l'appareil de l'alimentation électrique principale et le laisser refroidir avant tout entretien.
2. Les moteurs utilisés sur le radiateur du ventilateur et la soufflante de flamme ont été prégraissés pour prolonger la durée des roulements et n'exigent aucun autre graissage. Il est toutefois, recommandé de nettoyer l'appareil et de passer l'aspirateur périodiquement autour de la prise d'air, de la sortie d'air et du radiateur du ventilateur. Nettoyer plus fréquemment l'appareil en cas d'utilisation intensive ou continue. Si l'appareil de chauffage propulse en alternance de l'air froid et de l'air chaud, veuillez vérifier si le ventilateur tourne librement ou si des débris obstruent la circulation d'air. Si le ventilateur ne tourne pas librement, mettre l'appareil hors fonction, puis remplacer immédiatement le ventilateur pour éviter tout autre dommage à l'équipement.

## INFORMATIONS SUR LA TÉLÉCOMMANDE

La télécommande infrarouge fonctionne avec une ligne de visée et doit être pointée sur la flamme/écran du foyer pour fonctionner. La télécommande dispose des commandes requises pour activer/désactiver l'alimentation principale et le chauffage. Si vous préférez utiliser le pavé tactile sur le foyer, ouvrez le couvercle coulissant du panneau de commande pour accéder aux boutons du pavé tactile. La disposition des boutons sur la pavé tactile et la télécommande se retrouve sur la page précédente.

Il FAUT retirer la languette en plastique du compartiment de la pile pour que la télécommande fonctionne.

(Tirer sur la languette)

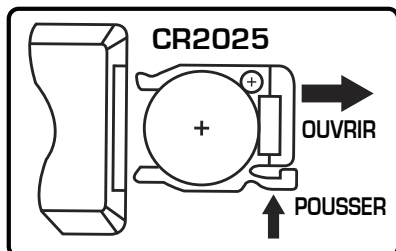


## Maintenance (suite)

### REPLACEMENT DE PILE

Se il vous plaît jetez pas la pile utilisée par la loi municipal ou provincial / état.

PROCÉDURE DE REMPLACEMENT DES PILES : (FORMAT CR2025)



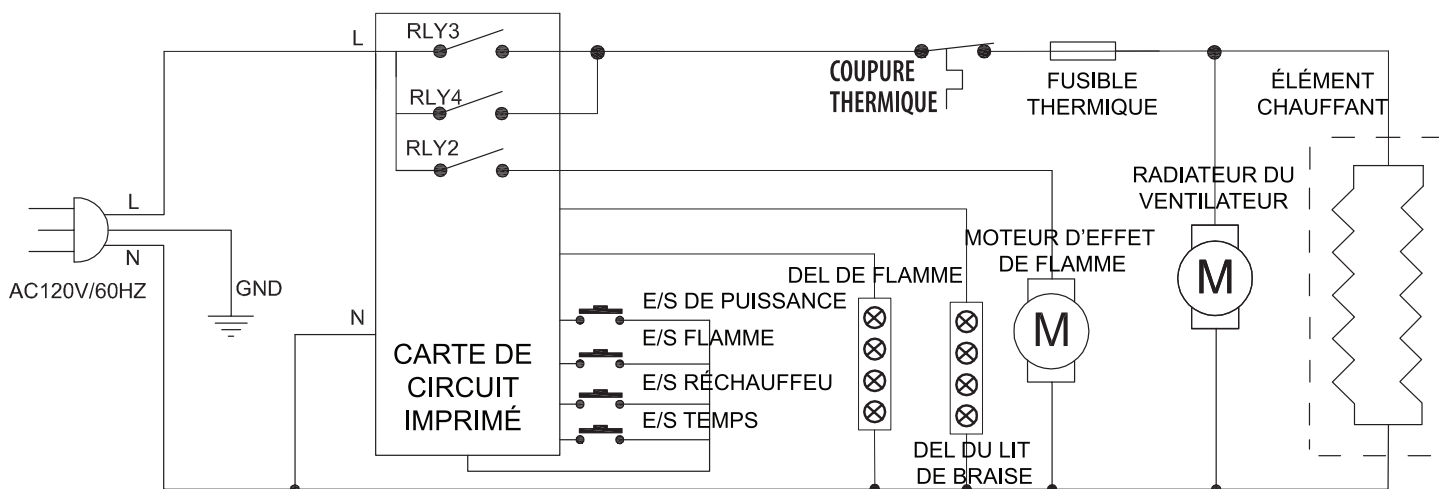
**! CET ARTICLE CONTIENT LES PILES. DE GRAVES BLESSURES OU LA MORT POURRAIENT SUIVRE DANS LES DEUX HEURES SUIVANT L'INGESTION. DEMANDER L'AIDE DE PROFESSIONNELS DE LA SANTÉ SUR LE CHAMP. !**

▼ RELÂCHER

## Schéma électrique



**DANGER: Débrancher l'alimentation électrique avant d'effectuer les travaux d'entretien.**



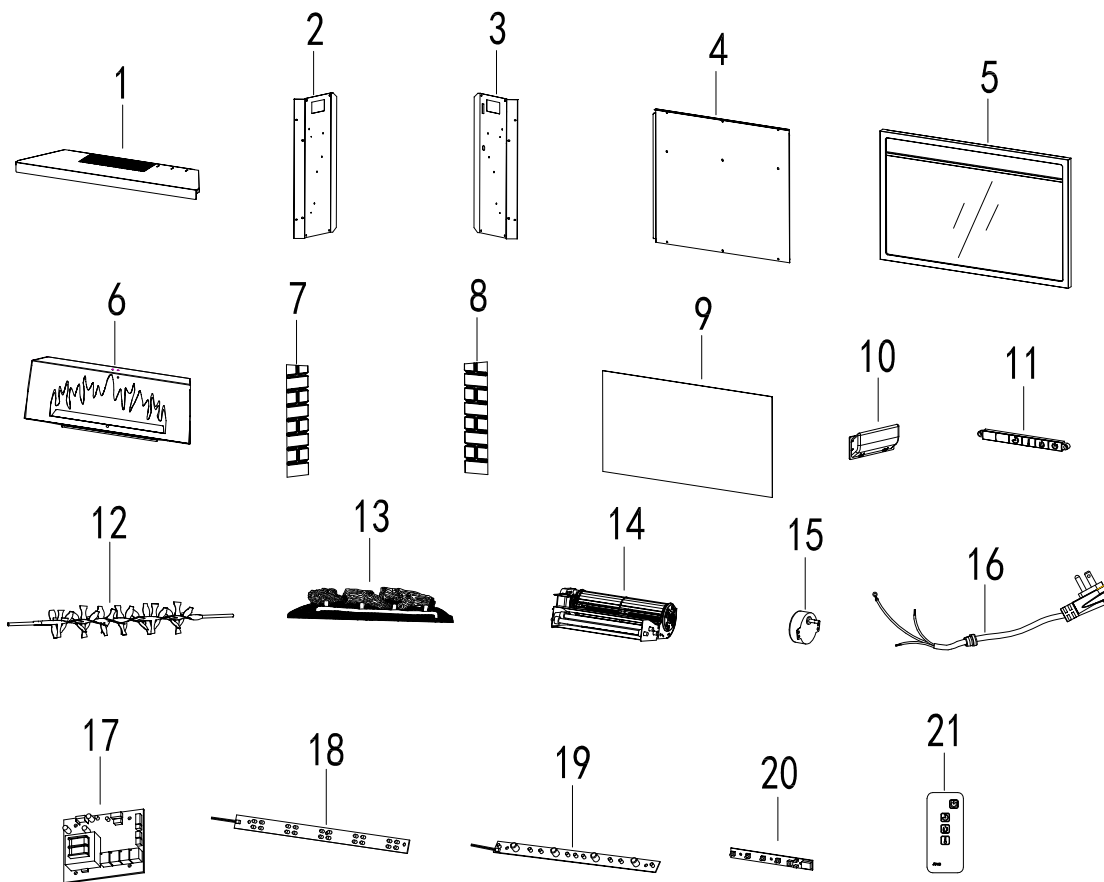
## Entretien et nettoyage

1. Toujours mettre le chauffage à ARRÊT et débrancher le cordon d'alimentation de la prise secteur avant de le nettoyer.
2. Le nettoyage du panneau de commande, situé dans le coin supérieur droit du foyer doit uniquement être effectué avec un chiffon doux légèrement imbibé d'eau (si nécessaire, une petite quantité de savon de vaisselle peut être ajouté à l'eau) et séché en utilisant un chiffon propre, sec et doux. Le nettoyage de l'écran de diffusion doit être uniquement effectué avec de l'eau et un chiffon non pelucheux. NE PAS utiliser d'abrasifs sur les commandes et l'écran de diffusion.

# Dépannage

PROBLÈME	CAUSE POSSIBLE	SOLUTION
Le foyer ne fonctionne pas.	Le foyer n'est pas branché. Un disjoncteur est déclenché ou un fusible a sauté. L'interrupteur MARCHE/ARRÊT est défectueux. Le câblage est desserré.	S'assurer que le foyer est branché dans une prise standard de 120 V. Vérifier si d'autres appareils sont alimentés par le même circuit. Idéalement, le foyer doit être installé sur un circuit dédié de 15 A. Contacter le service à la clientèle. Contacter le service à la clientèle.
Le voyant d'alimentation est ALLUMÉ mais l'effet flamme n'est pas visible.	Le foyer ne fonctionne pas correctement. Les ampoules ne fonctionnent pas. Câblage desserré.	Consulter le mode d'emploi. Se référer à la section remplacement des ampoules. Contacter le service à la clientèle.
Le chauffage ne fonctionne pas.	Fonctionnement incorrect. L'interrupteur du chauffage est défectueux. L'ensemble de chauffage est défectueux. Le câblage est desserré. Les événements sont sales ou bouchés.	Consulter le mode d'emploi. Contacter le service à la clientèle. Contacter le service à la clientèle. Contacter le service à la clientèle. Débrancher l'appareil. Vider les événements de toute poussière et de débris. Attendre dix minutes, brancher l'appareil à nouveau et mettre l'élément de chauffage en marche.
Il y a trop de bruit lors du fonctionnement du chauffage.	Ventilateur sale ou bouché. L'ensemble de chauffage est défectueux.	Se référer à la section Entretien des moteurs dans Soins et entretien. Contacter le service à la clientèle.
Le voyant d'alimentation est ALLUMÉ mais l'effet flamme n'est pas visible.	Les ampoules ne fonctionnent pas. Câblage desserré.	Se référer à la section remplacement des ampoules. Contacter le service à la clientèle.
Il y a du bruit excessif lorsque la flamme est active mais le chauffage est éteint.	L'arbre rotatif du réflecteur de flamme frotte contre le boîtier. Le moteur de l'arbre du réflecteur de flamme est défectueux.	Ouvrir l'arrière du boîtier de foyer et repositionner l'arbre du réflecteur de flamme. Mettre l'unité hors tension avant de procéder à l'entretien. Contacter le service à la clientèle.

# Pièces de rechange



Pièce	Description	# du pièce
1	Panneau supérieur	EF2790001AC
2	Ensemble de panneau latéral gauche	EF27900002AC
3	Ensemble de panneau latéral droit	EF27900003AC
4	Panneau arrière	EF27900004AC
5	Ensemble bride	EF27900005AC
6	Flammes du panneau	EF27900006AC
7	Brique panneau de gauche	EF27900007AC
8	Brique panneau de droit	EF27900008AC
9	Écran	EF27900009AC
10	Poignée	EF27900010AC
11	Panneau de commande	EF27900011AC

Pièce	Description	# du pièce
12	Réflecteur de flamme	EF27900012AC
13	Bruches	EF27900013AC
14	Réchauffeur	EF24900007AC
15	Moteur synchrone	EF27900015AC
16	Câble d'alimentation et le connecteur	EF27900016AC
17	Carte principale	EF27800017AC
18	Llama - LED	EF27900018AC
19	Embarqué - bande de LED	EF27900019AC
20	Panneau Circuit de commande	EF27900020AC
21	Télécommande	EF33510AS-15

# Muskoka®

Muskoka® est une marque de commerce déposée de GHP Group Inc.



1-877-447-4768 • [www.ghpgroupinc.com](http://www.ghpgroupinc.com)



## Tabla de contenido

Tabla de contenido . . . . .	22	Herramientas requeridas . . . . .	26
Información de seguridad . . . . .	23	Herraje incluido . . . . .	26
Manual de instrucciones del usuario . . . . .	23	Contenido del paquete . . . . .	26
Instrucciones sobre le conexión a tierra . . . . .	23	Instrucciones para su funcionamiento . . . . .	27
Ubicación de su chimenea . . . . .	23	Mantenimiento . . . . .	28
Instalación de repisa de chimenea . . . . .	23	Información del vidrio . . . . .	28
Especificaciones . . . . .	23	Mantenimiento de motores . . . . .	28
Conexión eléctrica . . . . .	23	Reemplazo de la batería . . . . .	29
Control remoto . . . . .	24	Diagrama de circuito . . . . .	29
Garantía . . . . .	25	Cuidado y limpieza . . . . .	29
Pre-instalación . . . . .	26	Resolución de fallas . . . . .	30
Planificación de la instalación . . . . .	26	Piezas de repuesto . . . . .	31

## Información de seguridad

1. Lea todas las instrucciones antes de usar el calentador.
2. El calentador está caliente cuando se encuentra en uso. Para evitar quemaduras, no toque las superficies calientes con la piel desnuda. De tenerlas, use las manijas para mover el calentador. Los materiales combustibles, como muebles, almohadas, papeles, ropa y cortinas deben permanecer alejados como mínimo a 3 pies (0,9 metros) de la parte frontal, lateral y trasera del calentador.
3. Necesitará tener mucho cuidado cuando deje el calentador en uso y sin ser atendido por otra persona y también cada vez que haya niños o minusválidos cerca.
4. Desconecte el calentador cuando no esté en funcionamiento.
5. No haga funcionar cualquier calentador con un cable o enchufe dañado luego de una falla, de que se haya caído o se haya dañado de algún modo. Lleve el calentador a un servicio técnico autorizado para que lo revisen, le realicen un ajuste eléctrico o mecánico, o lo reparen.
6. No lo use al aire libre.
7. El calentador no está destinado a ser usado en baños, zonas destinadas a la lavandería y ubicaciones interiores similares. Jamás debe ubicar el calentador en una posición en la que se pueda caer en una bañera o cualquier otro contenedor con agua.
8. No pase el cable de alimentación por debajo de alfombras. No tape el cable de alimentación con tapetes, correderas o similares. Aleje el cable de alimentación de zonas de tránsito y en donde las personas no se tropiecen.
9. Para desconectar el calentador, ponga los controles en OFF y luego quite el enchufe de la toma de corriente.
10. Conecte el cable sólo a una toma que tenga una buena conexión a tierra.
11. No inserte o permita que objetos extraños ingresen a las aberturas de ventilación o de escape porque puede producir descargas eléctricas o dañar el calentador.
12. Para prevenir un incendio, no bloquee las tomas de aire de la cámara de combustión o de escape de ningún modo. La cámara de combustión no debe funcionar sobre superficies suaves, como una cama, en donde se podrían tapar las aberturas.
13. Los calentadores tienen partes interiores que se calientan y que producen chispas y arcos eléctricos. No lo use en zonas en que se use o almacene gasolina, pintura o líquidos inflamables.
14. Use el calentador sólo como se lo indica en este manual. Cualquier uso distinto al recomendado por el fabricante puede generar incendios, descargas eléctricas o lesiones personales.
15. Siempre conecte los calentadores directamente a una toma de corriente/receptáculo. Nunca se utilice con un cable de extensión o con una fuente de alimentación móvil (toma de corriente/regleta).
16. Esta chimenea eléctrica no está diseñada para "cero" espacio entre la pared y / o las instalaciones del gabinete / carpintería. La accesibilidad para el servicio y el mantenimiento debe ser posible sin alterar la construcción de estructuras y / o acabados del gabinete / carpintería.

### 17. GUARDE ESTE MANUAL DE INSTRUCCIONES

# Información de seguridad (continuado)

## MANUAL DE INSTRUCCIONES DEL USUARIO

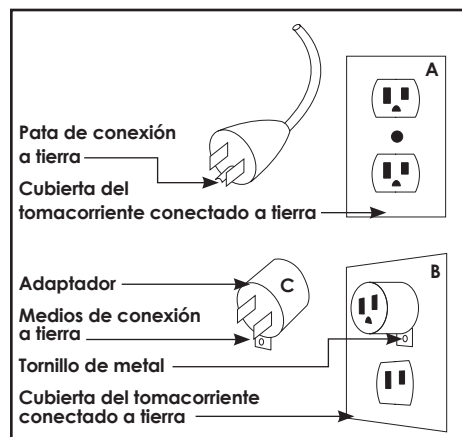
1. Sólo el servicio técnico autorizado y capacitado deberá reparar este electrodoméstico.
2. Este electrodoméstico no deberá ser modificado bajo ninguna razón. Las partes que se quiten para su mantenimiento sólo podrán ser reemplazadas con partes "OEM" (que provenga de un fabricante de equipamiento original).
3. Deberá limpiar la caja de fuego con un paño húmedo con agua solamente.

**PRECAUCIÓN: Siempre debe desconectar el cable de alimentación antes de limpiar la unidad. No use limpiadores abrasivos en la unidad.**

4. Desconecte la caja de fuego cuando no esté en funcionamiento.

## INSTRUCCIONES SOBRE LE CONEXIÓN A TIERRA

Este calentador se debe usar con 120 voltios. El cable tiene un enchufe como se muestra en la imagen 1A en el diagrama. Hay un adaptador disponible como el que se muestra en 1C para conectar enchufes de tres patas con conexión a tierra en tomas de corriente con dos ranuras. La lengüeta de puesta a tierra de color verde que se desprende del adaptador debe estar conectada a una conexión a tierra permanente, como por ejemplo, una caja de toma de corriente que tenga una conexión a tierra adecuada. No deberá usar este adaptador cuando haya un toma que permita conectar enchufes con tres patas. (Nota: utilice el adaptador de conexión a tierra prohibida en Canadá)

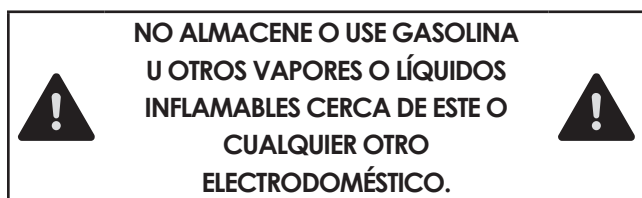


## UBICACIÓN DE SU CHIMENEA

Cuando elija una ubicación para su chimenea, asegúrese de seguir las instrucciones. Además, para obtener un mejor resultado, evite instalarla directamente bajo la luz del sol. Es más seguro, instalarla cerca de elementos no combustibles.

## INSTALACIÓN DE REPISA DE CHIMENEA 27-800-001 ESPECIFICACIONES

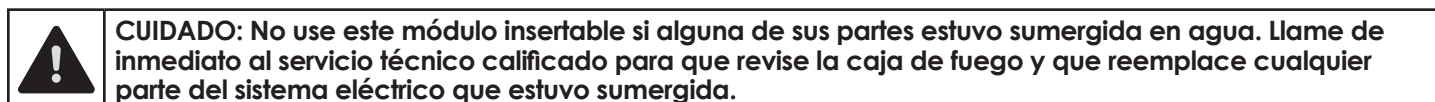
Por favor consulte las instrucciones que vienen con la repisa que compró.



Módulo insertable	27.75" x 8" x 17.25"
dimensiones (w x d x h)	70.4 cm x 20.2 cm x 44 cm
Voltaje	120 V
Frecuencia	60 Hz
Vatios • Amperes	1440W • 12A

## CONEXIÓN ELÉCTRICA

Se necesita un circuito de 15 amperes, 120 voltios y 60 Hz con un toma que tenga una adecuada conexión a tierra para el funcionamiento de este dispositivo. Es preferible que el módulo insertable tenga un circuito exclusivo porque es posible que otros electrodomésticos en el mismo circuito disparen el disyuntor o que se queme un fusible cuando el calentador esté en funcionamiento. La unidad estándar tiene un cable de 6 pies (1,8 m) de 3 hilos, que sale de la parte posterior del módulo. Planifique la instalación para evitar el uso de un cable de extensión. Siempre conecte los calentadores directamente a una toma de corriente/receptáculo. Nunca se utilice con un cable de extensión o con una fuente de alimentación móvil (toma de corriente/regleta).



# Información de seguridad (continuado)

## CONTROL REMOTO

Este dispositivo cumple con el estándar de Industry Canada RSS exentos de licencia. La operación está sujeta a las siguientes dos condiciones:

(1) Este dispositivo no puede causar interferencias perjudiciales, y (2) este dispositivo debe aceptar cualquier interferencia recibida, incluyendo interferencias que pueda causar funcionamiento no deseado.

Este dispositivo cumple con las reglas de la FCC parte 15. La operación está sujeta a las siguientes dos condiciones:

(1) Este dispositivo no puede causar interferencias perjudiciales, y (2) este dispositivo debe aceptar cualquier interferencia recibida, incluyendo interferencias que pueda causar funcionamiento no deseado. No existe garantía de que no ocurra interferencia en una instalación en particular. Si este equipo efectivamente causa interferencia dañina a la recepción de radio o televisión, lo cual puede determinarse apagando y encendiendo el equipo, se recomienda al usuario que trate de corregir la interferencia realizando uno o varios de los siguientes pasos:

- Cambie de dirección o de lugar la antena receptora.
- Aumente la separación entre el equipo y el receptor.
- Conecte el equipo en un tomacorriente en un circuito diferente de donde esté conectado el receptor.
- Consulte al concesionario o a un técnico de radio/TV con experiencia para que le ayude.

Este control remoto requiere 1 batería plana de litio (tamaño CR2025), la cual viene incluida.

Advertencia: Cambios o modificaciones a esta unidad que no estén expresamente aprobados por la parte responsable por conformidad pueden anular la autorización del usuario para operar el equipo.

NO mezcle baterías antiguas con nuevas.



NO use baterías recargables de plata-cadmio en la unidad de control remoto.

NO mezcle baterías alcalinas, estándar (zinc-carbono) o recargables (níquel cadmio).

NO incinere las baterías. Una eliminación incorrecta de las baterías puede provocar que éstas exploten o se filtren.



**CUIDADO: Nunca intente desmontar o alterar el producto de cualquier manera no instruida por este manual.**



# Garantía de 1 año

## LO QUE ESTÁ CUBIERTO

El fabricante garantiza que su nueva chimenea eléctrica está libre de defectos de fabricación y materiales por un periodo de un año a partir de la fecha de compra, sujeto a las siguientes condiciones y limitaciones.

Esta chimenea eléctrica debe ser instalada y operada en todo momento de acuerdo con las instrucciones proporcionadas con el producto. Cualquier alteración, abuso intencionado, accidente o mal uso del producto anulará esta garantía. Esta garantía es intransferible y es hecha al propietario original, siempre que la compra fue hecha mediante un proveedor autorizado del fabricante. Esta garantía está limitada a la reparación o reemplazo de pieza(s) que se encuentren defectuosas en materiales o mano de obra, siempre que tal(es) pieza(s) hayan estado sujetas a condiciones normales de uso y servicio, luego de que dicho defecto sea confirmado por la inspección de fabricante. El fabricante puede, a su discreción, liberar de todas las obligaciones, con respecto a esta garantía mediante el reembolso del precio al por mayor de la(s) pieza(s) defectuosa(s).

## LO QUE NO ESTÁ CUBIERTO

Cualquier instalación, trabajo, construcción, transporte u otros costos/gastos que surjan de pieza(s) defectuosa(s), reparación, reemplazo u otra cosa similar, no será cubierta por esta garantía y tampoco el fabricante asumirá responsabilidad por lo mismo. Además, el fabricante no será responsable de ningún daño incidental, indirecto o consecuente, excepto como lo establezca la ley.

Todas las otras garantías, expresas o implícitas, con respecto al producto, sus componentes y accesorios, o cualquier obligación/responsabilidad civil sobre la pieza del fabricante, por la presente se excluyen expresamente. El fabricante tampoco asume, ni autoriza a ninguna tercera parte a asumir, en su nombre, cualquier otra responsabilidad civil con respecto a la venta de este producto. Las garantías como están descritas dentro de este documento, no aplican a accesorios que no son del fabricante usadas junto con la instalación de este producto.

Esta garantía no cubre la(s) bombilla(s) incluidas con la chimenea.

Esta garantía no tiene validez si: la chimenea ha sido operada en atmósferas contaminadas con cloro, flúor u otro químico dañino; la chimenea está sujeta a periodos prolongados de humedad o condensación; la chimenea es alterada, maltratada intencionalmente, dañada por accidente o usada incorrectamente en cualquier manera.

Asegúrese de tener su garantía, su recibo de venta y el número de modelo/serie de su producto.

**NO INTENTE HACER TRABAJO DE SERVICIO USTED MISMO. COMUNÍQUESE A SERVICIO AL CLIENTE LLAMANDO A LA LINEA TELEFÓNICA GRATUITA:**



1-877-447-4768

[www.ghpgroupinc.com](http://www.ghpgroupinc.com)



271 Massey Road, Guelph, Ontario, N1K 1B2

6440 W. Howard Street, Niles, Illinois 60714

## Pre-instalación

### PLANIFICACIÓN DE LA INSTALACIÓN

Para evitar rayar el acabado, ensamble este producto sobre una superficie suave no abrasiva, como una alfombra o cartones. El ensamblaje de este producto puede requerir más de una persona.

### HERRAMIENTAS REQUERIDAS



Lentes de la seguridad Destornillador Phillips

### HERRAJE INCLUIDO

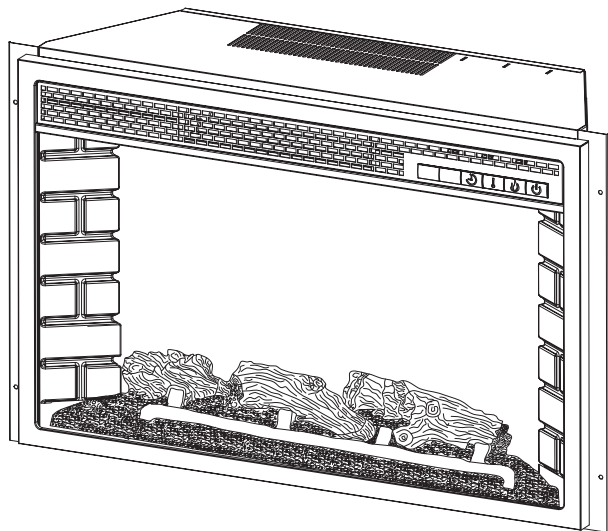
NOTA : No se muestra el herraje en el tamaño real.

AA



PIEZA	DESCRIPCIÓN	CANTIDAD
AA	Tornillos (ST4)	4

### CONTENIDO DEL PAQUETE



A

PIEZA	DESCRIPCIÓN	CANTIDAD
A	Inserto de chimenea	1
B	Control remoto	1



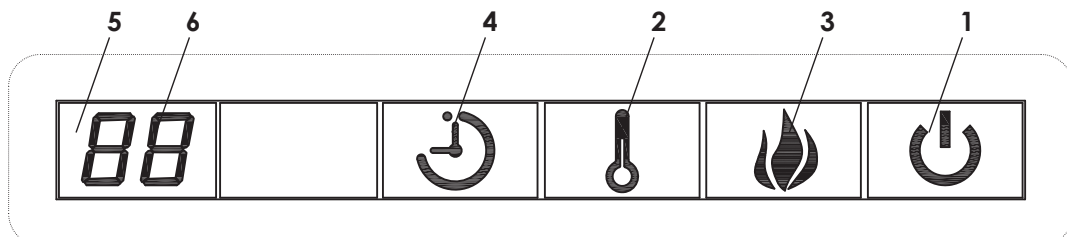
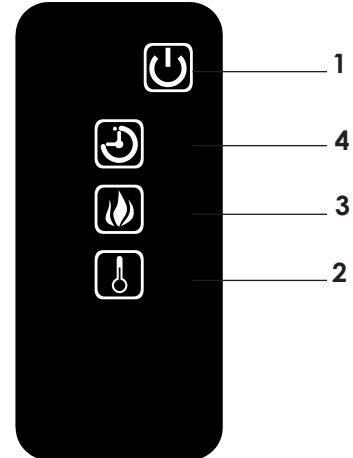
B

# Instrucciones para su funcionamiento

NOTA: Cuando la función de calor es usada por primera vez, se puede presentar un ligero olor. Esto es normal y no debe ocurrir otra vez a menos que el calefactor no se use por largo tiempo.

## USO DEL PANEL DE CONTROL

1. Compruebe que la rejilla de salida del calefactor no esté cubierta ni obstruida en ninguna manera y asegúrese de que la energía de la unidad esté encendida.
2. La chimenea se puede acceder de (2) maneras: Usando el panel de control del teclado táctil, o usando la unidad de control remoto multifunción.
3. Presione el botón apropiado para operar su chimenea:
  1. Botón de fuente de energía principal: Este botón suministra energía a todas las funciones de la chimenea. Debe encenderse para que la chimenea funcione.
  2. Botón de control del calefactor: Este botón controla el calentador encendido / apagado. Cuando la unidad de temperatura se establece como "F" o "C", el alcance de temperatura son los siguientes:  
  
Temperatura "F" = Fahrenheit 86 °F, 84 °F, 82 °F, 80 °F, 78 °F, 76 °F, 74 °F, 72 °F, 70 °F, 68 °F, 66 °F, 64 °F, 62 °F.  
  
Temperatura "C" = 30 °C, 29 °C, 28 °C, 27 °C, 26 °C, 25 °C, 24 °C, 23 °C, 22 °C, 21 °C, 20 °C, 19 °C, 18 °C, 17 °C.
  3. Botón de control de la llama: Este botón controla la luminosidad del efecto de llama con ajustes como Alto, Medio y Bajo. Cuando el ajuste de registro se enciende por primera vez, la llama se encenderá en el ajuste más alto. El ajuste de registro recordará el último ajuste de llama y en uso posterior la luminosidad de la llama encenderá a ese ajuste, a menos que se haya interrumpido la energía a la unidad. Cada vez que se presiona el botón de la llama, la luminosidad de la llama disminuye. La única manera de apagar por completo el efecto de la llama es apagando el botón de la fuente de energía principal (1).
  4. Botón del temporizador: Este botón controla el encendido y apagado y un ajuste de 8 tiempos de 1 H a 8 H. Cuando el temporizador se enciende por primera vez, encenderá al ajuste de tiempo más corto (1 H). Cada vez que se presiona el botón del temporizador, el tiempo aumenta (1 hora), hasta el ajuste más largo (8 horas). Una vez expira el tiempo de ajuste, todas las funciones de la chimenea se apagarán automáticamente.
  5. Pantalla Fahrenheit/Celsius: Este botón muestra F (Fahrenheit) o C (Celsius) dependiendo de cómo se ajuste el modo de temperatura. Cuando la chimenea se enciende, se mostrará la temperatura Fahrenheit (F). Para cambiar de Fahrenheit a Celsius, o viceversa, cuando el CALEFACTOR está ENCENDIDO, sostenga el botón CONTROL DEL CALEFACTOR durante 10 segundos. La chimenea recordará el último ajuste del modo de temperatura y, en uso posterior, la pantalla arrancará a ese ajuste, a menos que se haya interrumpido la energía a la unidad.
  6. Pantalla Temperatura/Temporizador: Esta pantalla LED muestra el punto de ajuste para las funciones de temperatura y temporizador. Cuando se activa alguna de estas funciones, la pantalla refleja el punto de ajuste durante cinco segundos y luego se atenúa a negro. Cualquier cambio en el punto de ajuste de la temperatura o temporizador reactivará la pantalla, que de nuevo se atenúa después de cinco segundos.



# Mantenimiento



**PELIGRO:** Desconecte la energía antes de dar servicio.



**CUIDADO:** Cualquier renovación de cableado de este dispositivo debe ser hecho por un electricista calificado. Este cableado debe ser hecho de acuerdo con códigos locales y/o en Canadá con el Código Eléctrico Canadiense actual CSA C22.1 y para instalaciones en los EE. UU., el Código Eléctrico Nacional ANSI/NFPA NO 70.



**CUIDADO:** Si se repara o reemplaza cualquier componente eléctrico o el cableado, el enrutamiento original de cables, la codificación de color y ubicaciones seguras deben seguirse.

## INFORMACIÓN DEL VIDRIO

1. Bajo ninguna circunstancia se debe operar este producto con el vidrio roto.
2. No golpee ni cierre de golpe el vidrio.
3. No use limpiadores abrasivos para limpiar el vidrio.
4. Este producto usa vidrio templado. El reemplazo del vidrio suministrado por el fabricante debe ser hecho por una persona de servicio calificada.

## MANTENIMIENTO DE MOTORES

1. Siempre desconecte el dispositivo de la fuente de energía principal y deje que se enfríe antes de cualquier operación de servicio.
2. Los motores usados en el calefactor del ventilador y el soplador de llama están prelubricados para prolongar la vida del cojinete y no requieren lubricación adicional. Sin embargo, recomendamos que se limpie/aspire de forma periódica el dispositivo alrededor de la entrada de aire y escape, así como también el calefactor del ventilador. Para uso pesado o continuo, la limpieza periódica debe hacerse con más frecuencia. Si el calefactor sopla de forma alterna aire frío y caliente, compruebe el libre movimiento del ventilador y busque desechos que restrinjan el flujo de aire. Si el ventilador no se mueve libremente, la unidad debe apagarse y reemplazarse el ventilador de inmediato con el fin de evitar daños futuros a la unidad.

## INFORMACIÓN DEL CONTROL REMOTO

El control remoto infrarrojo depende de una línea de visión y debe ser apuntado a la llama/rejilla para que funcione. La unidad de control remoto tiene los controles requeridos para ENCENDER/APAGAR tanto la energía principal como el calefactor. Si prefiere el control de teclado táctil en la unidad de la chimenea, abra el panel de control deslizando la cubierta para acceder a los botones del teclado táctil. La disposición de los botones en el teclado táctil y la unidad de control remoto se puede ver en la página anterior.

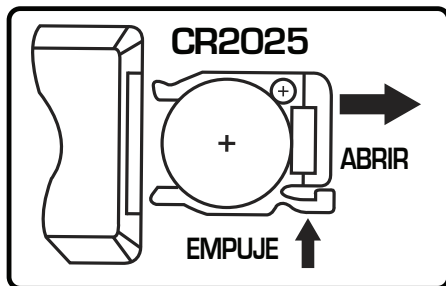


## Mantenimiento (continuado)

### REEMPLAZO DE LA BATERÍA

Por favor deséchelos por la pila usada por la ley municipal o provincial / estatal.

PROCEDIMIENTO DE REEMPLAZO DE LA BATERÍA: (TAMAÑO CR2025)



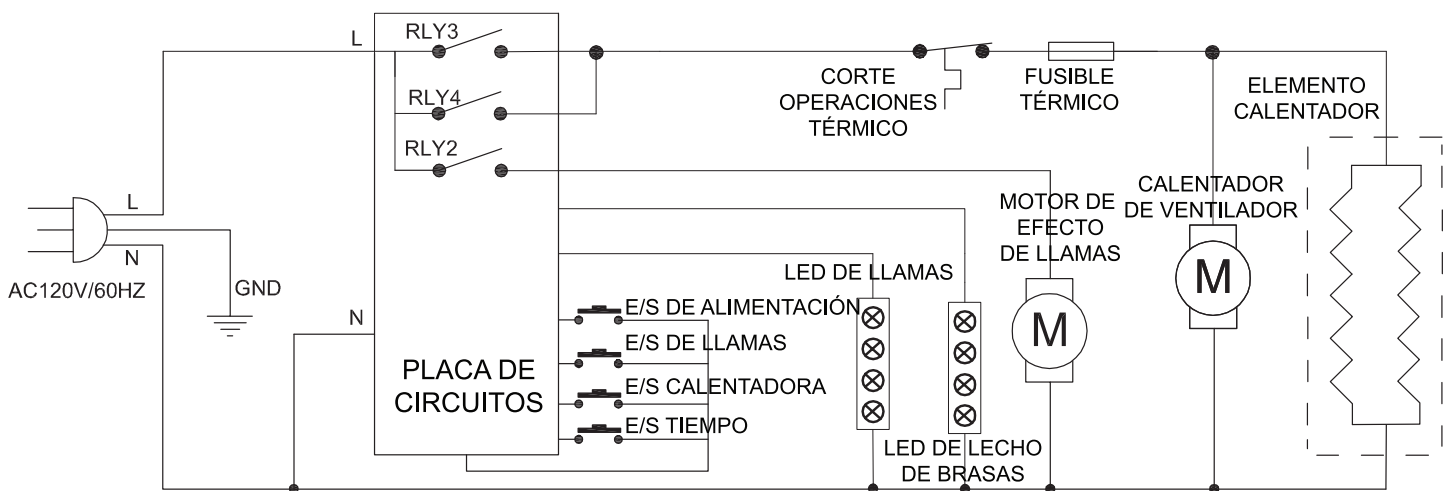
**ESTE PRODUCTO CONTIENE UNA BATERÍA. SI SE INGIERE, PUEDE CAUSAR LESIONES GRAVES O LA MUERTE EN TAN SÓLO 2 HORAS. BUSQUE ATENCIÓN MÉDICA DE INMEDIATO.**

▼ LIBERAR

### Diagrama de circuito



**PELIGRO:** Desconecte la energía antes de dar servicio.



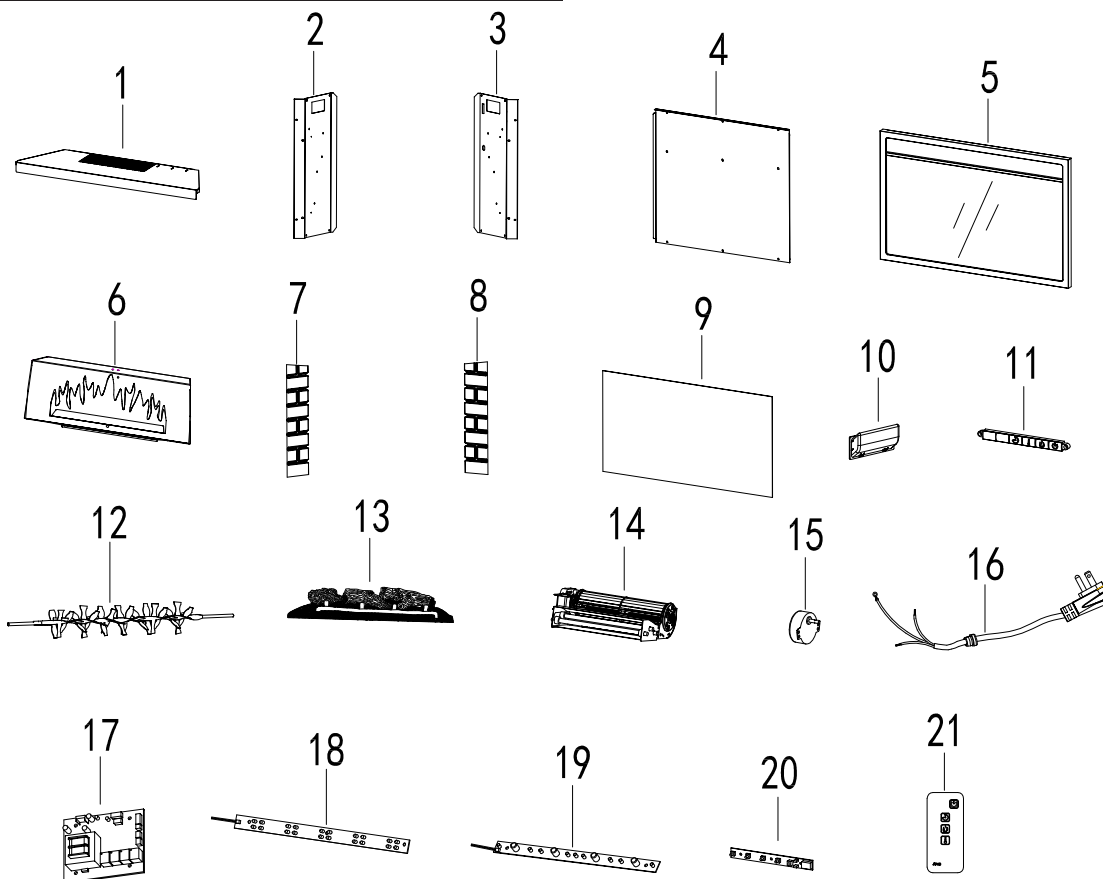
### Cuidado y limpieza

1. Siempre apague el calefactor y desconecte el cable eléctrico del tomacorriente antes de limpiarlo.
2. La limpieza del panel de control, localizado en la esquina superior derecha de la chimenea debe hacerse usando solamente un paño suave, ligeramente humedecido en agua (de ser necesario, se puede agregar una pequeña cantidad de jabón de platos al agua) y secarse usando un paño suave limpio y seco. La limpieza del difusor de rejilla debe hacerse usando solamente agua y un paño libre de pelusa. NO use controles abrasivos y la rejilla de difusión.

# Resolución de fallas

PROBLEMA	CAUSA POSIBLE	SOLUCIÓN
La chimenea no funciona.	<p>La chimenea no está enchufada.</p> <p>Un disyuntor de circuito se ha activado o un fusible ha explotado.</p> <p>El interruptor ON/OFF está defectuoso.</p> <p>Hay un cable flojo.</p>	<p>Asegúrese de que la chimenea esté enchufada en un tomacorriente estándar de 120V.</p> <p>Revise los electrodomésticos adicionales en el circuito; idealmente, la chimenea debe estar en un circuito dedicado de 15 Amperios.</p> <p>Llame a Servicio al Cliente.</p> <p>Llame a Servicio al Cliente.</p>
La luz de energía está encendida pero el efecto de la llama no es visible.	<p>La chimenea no está funcionando correctamente.</p> <p>Hay bombilla(s) floja(s).</p> <p>Hay bombilla(s) quemada(s).</p>	<p>Consulte las instrucciones de operación.</p> <p>Apriete la(s) bombilla(s).</p> <p>Reemplace la(s) bombilla(s).</p>
El calefactor no está funcionando.	<p>La chimenea no está funcionando correctamente.</p> <p>El interruptor del calefactor está defectuoso.</p> <p>El ensamblaje del calefactor está defectuoso.</p> <p>Hay un cable flojo.</p> <p>Los respiraderos están sucios u obstruidos.</p>	<p>Consulte las instrucciones de operación.</p> <p>Llame a Servicio al Cliente.</p> <p>Llame a Servicio al Cliente.</p> <p>Llame a Servicio al Cliente.</p> <p>Desconecte la unidad. Limpie el área del respiradero de polvo y desechos. Espere diez minutos, enchufe la unidad de nuevo y encienda el calefactor.</p>
Hay ruido excesivo cuando el calefactor está funcionando.	<p>El soplador está sucio u obstruido.</p> <p>El ensamblaje del calefactor está defectuoso.</p>	<p>Consulte la sección Mantenimiento de motores en el capítulo Mantenimiento.</p> <p>Llame a Servicio al Cliente.</p>
La luz de energía está encendida pero la llama de la cama de brasas no es intermitente.	<p>Hay bombilla(s) floja(s).</p> <p>Hay un cable flojo.</p>	<p>Apriete la(s) bombilla(s).</p> <p>Llame a Servicio al Cliente.</p>
Hay un ruido excesivo cuando la llama está ENCENDIDA pero el calefactor está APAGADO.	<p>El eje del reflector rotativo de la llama está rozando contra la carcasa.</p> <p>El motor del eje del reflector de la llama está defectuoso.</p>	<p>Abra la parte trasera de la caja de fuego y reubique el eje del reflector de la llama.</p> <p>Apague la unidad antes de darle servicio.</p> <p>Llame a Servicio al Cliente.</p>

# Piezas de repuesto



Pieza	Descripción	Pieza	Pieza	Descripción	Pieza
1	Panel superior	EF27900001AC	12	Reflector de llamas	EF27900012AC
2	Ensamble de panel lateral izquierdo	EF27900002AC	13	Juego de leños	EF27900013AC
3	Ensamble de panel lateral derecho	EF27900003AC	14	Calentador	EF24900007AC
4	Panel posterior	EF27900004AC	15	Motor sincrónico	EF27900015AC
5	Ensamble de reborde	EF27900005AC	16	Cable de alimentación y conector	EF27900016AC
6	Panel de llamas	EF27900006AC	17	Placa principal	EF27800017AC
7	Panel izquierdo ladrillo	EF27900007AC	18	Llama - LED	EF27900018AC
8	Panel derecho ladrillo	EF27900008AC	19	Embedded - tira de LED	EF27900019AC
9	Pantalla	EF27900009AC	20	Placa de circuito panel de control	EF27900020AC
10	Manejar	EF27900010AC	21	Control remoto	EF33510AS-15
11	Panel de control	EF27900011AC			

# Muskoka®

Muskoka® es una marca registrada de GHP Group Inc.



1-877-447-4768 • [www.ghpgroupinc.com](http://www.ghpgroupinc.com)

