

Installation and Operational Manual

Effective May 26, 2022



Boutique Collection

Engineered SculptureStone® Tubs

Installer: This booklet must be given to the product owner.
Please note important information below:

Distributor
Name _____

Model # _____

Manufacturer's Date _____

Serial / Registration # _____

Owner's Manual and Installation Guide

Thank you for purchasing an MTI bath product. You have chosen the best-built Engineered SculptureStone® (ESS) tub in the USA. The outstanding heat retention, combined with the ease of cleaning and the elegant look of natural stone, will provide you with many years of pleasure. The instructions in this booklet will provide you with the information you need to install this unit. This information is also available on mtibaths.com.

Our customer service department is available to answer any additional questions you may have pertaining to the installation of your bath. Please call 800-783-8827 to speak to our Service Department or email service@mtibaths.com.

For faster service, please have your warranty registration number (serial number) ready when calling. The serial number can be found on the front of this Owner's Manual. Tubs equipped with an airbath blower will have a CSA sticker on the top of the air blower.

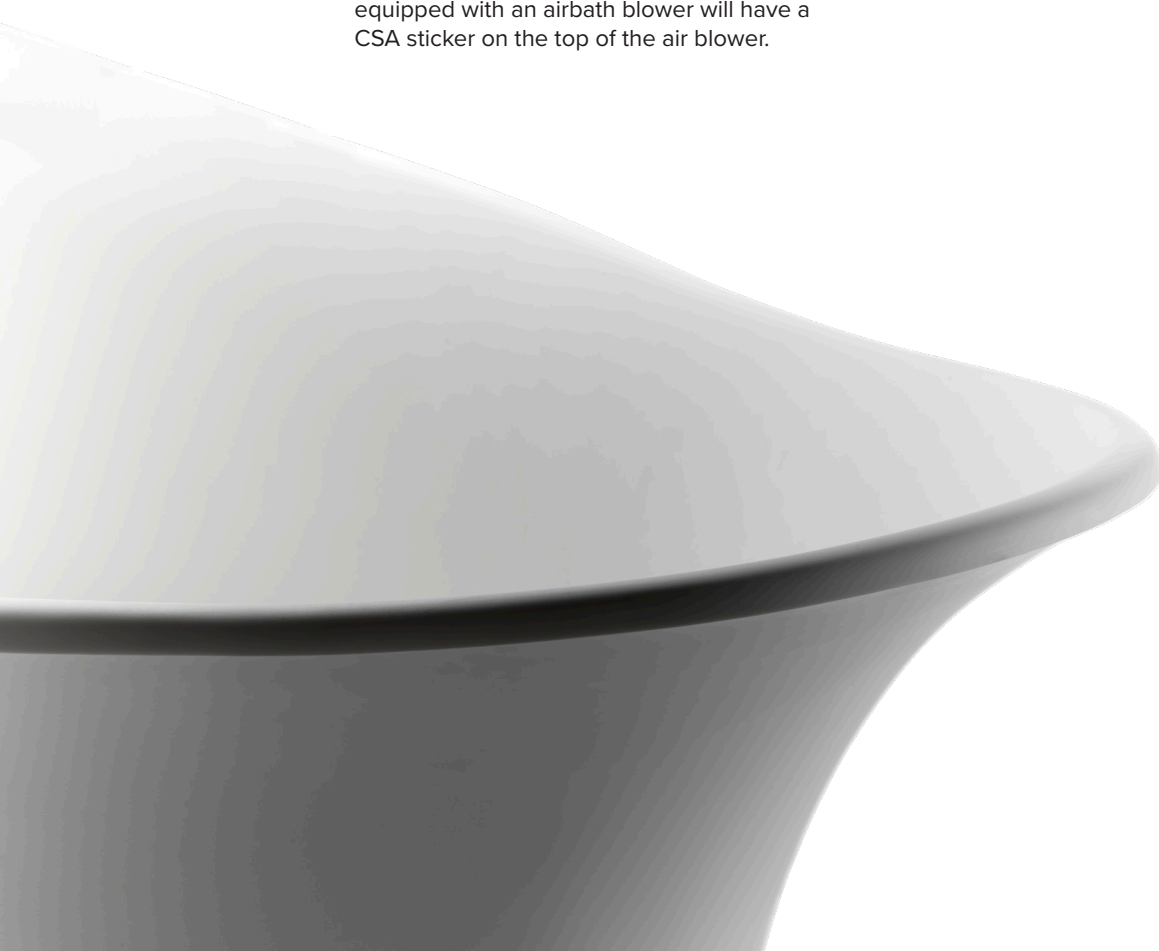


Table of Contents

Important Safety Instructions	1
Installation Instructions	2-9
Product Inspection.....	2
Drain Rough-In Dimensions.....	3
Freestanding Tubs	4-5
Drain Installation.....	4
Freestanding Tubs with Cradle	5
Alcove Tubs	6
Air Baths	7-9
Electrical Specifications.....	7
Hydrotherapy Operating Instructions	10
Care and Cleaning Instructions	11
Troubleshooting.....	12
Residential Warranty.....	13-14
Commercial Warranty.....	15-16



Important Safety Instructions

This manual contains information and instructions for proper operation and maintenance of your MTI bathtub. Failure to follow these instructions could result in personal injury, electrical shock or fire.

WARNING: WHEN USING ELECTRICAL PRODUCTS, BASIC PRECAUTIONS SHOULD BE FOLLOWED INCLUDING THE FOLLOWING:

Do not permit children to use this unit unless they are closely supervised by an adult at all times. Supervision is also required when bath is used by an elderly or handicapped individual.

Never leave a full or filling bath unattended.

Use this unit only for its intended use as described in this manual. Do not use attachments not recommended by the manufacturer. Never drop or insert any object into any opening.

The water in a bath should never exceed 40° C (104° F). Water temperatures between 38° C (100° F) and 40° C (104° F) are considered safe for a healthy adult. Use time should be limited to approximately 10 minutes, followed by a shower to cool down. Longer exposures may result in hyperthermia, which can be fatal. The symptoms of this condition are nausea, dizziness and fainting. Lower water temperatures are recommended for extended use (exceeding 10 - 15 minutes) and for young children.

Since excessive water temperatures have a high potential for causing fetal damage during the early months of pregnancy, pregnant or possibly pregnant women should limit water temperatures to 38° C (100° F).

The use of drugs or alcoholic beverages before or during bathing may lead to unconsciousness with the possibility of drowning. Never use the bath while under the influence of alcohol, anticoagulants, stimulants, antihistamines, vasoconstrictors, vasodilators, hypnotics, narcotics or tranquilizers.

Persons using medication should consult a physician before using a bath since medication may induce drowsiness while other medications may affect heart rate, blood pressure and circulation.

DANGER:

To reduce the risk of injury, enter and exit the bath slowly.

Never operate electrically connected devices in or within 5' of the bath. Never drop or insert any object into any opening within the bath.

Risk of electric shock. Connect only to circuits protected by a Ground Fault Circuit Interrupter (GFCI). Such a device should be installed by a licensed electrician and should be tested on a regular basis (at least monthly). To test the GFCI push the TEST button. The GFCI should interrupt the power. Push the RESET button and the power should be restored. If the GFCI fails to operate in this manner there is the possibility of an electric shock. DO NOT USE. Disconnect the unit and have the problem corrected by a qualified service technician. To avoid the possibility of personal injury and discoloration of the acrylic surface, the inlet water temperature should not exceed 60° C (140° F).

Disconnect power before servicing.

A pressure wire connector is provided on the exterior of the pump or control within this unit to permit connection of a bonding conductor between this unit and all other exposed metal in the vicinity, as needed to comply with local requirements.

INSTALLER/OWNER BEARS ALL RESPONSIBILITY TO COMPLY WITH ALL STATE AND LOCAL CODES WHEN INSTALLING THIS PRODUCT.

IMPORTANT: When required by local codes, install a RPZ (Reduced Pressure Zone) backflow prevention device to each faucet supply line.

SAVE THESE INSTRUCTIONS



Installation Instructions

Read all instructions before installing tub. MTI recommends using a professional installer for this product. Installer/product owner is responsible for complying with all state and local codes. Handle this tub with extreme caution. Dropping this product, even from several inches, may cause cracking and permanent damage. Rubber gripped gloves may make it easier to handle the ESS bath.

This tub is made of resin and natural minerals and may have minor variations in color and surface texture throughout the tub. This is normal and part of the unique, handcrafted beauty for products made from natural minerals such as MTI's Engineered SculptureStone®. Please see 'Care & Cleaning Instructions' on page 11.

BEFORE INSTALLING:

Inspect tub thoroughly.

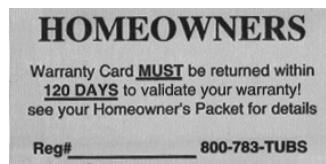
- Damage from shipping or delivery must be reported to carrier immediately. **Do not install damaged tub. MTI is not responsible for damage occurring during transit.**
- Factory defect must be reported to factory before tub is installed. Defects or damage claimed after installation will be excluded from warranty.
- Ensure location is structurally sound, flat and level. See individual specification sheets for weights and water capacity.
- Water test the tub on a flat and level surface. Report any leaks or drainage issues prior to installation.
- If tub is equipped with an air system, perform a system test using provided cables to ensure all components are operating optimally prior to installation.

Please note: Blemishes, air holes or casting marks on the underside of the bath are not considered defects and do not affect the performance or quality of the bath.

Always protect the tub from construction damage by using a protective cover. Damage, including chips and scratches incurred at the jobsite are excluded from warranty, but may be repaired by a qualified technician at the owner's expense. Do not stand in the tub or store materials in the tub during construction. Tubs are intended for indoor use. Tubs are warranted for indoor installation in a climate controlled environment only.

Never leave a full or filling bath unattended.

WARRANTY CARDS & CSA LABELS:



IMPORTANT: Locate and note your serial number on the cover of this manual for any future service needs.



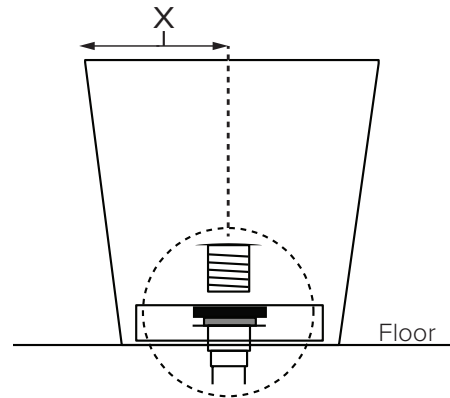
Drain Rough-In Dimensions for Freestanding Tubs with Integral Overflow

MTI Boutique freestanding tubs may be installed with the overflow positioned in the rear or the front of the tub, however, rough-in dimensions provided below are from center of drain to the top outside edge as shown on the product specification sheet. See product specs for line drawing of each tub model.

MODEL NO.	MEASUREMENT X		
131, 131A.....	10 1/2"	217	14"
140	16 3/16"	218	9"
161, 161A.....	9 1/4"	219	7 1/2"
162,162A.....	10 1/4"	220, 220C	6 1/2"
185	8 1/4"	221	7"
189	8"	222	6 3/4"
193	8 1/2"	223	8 1/2"
194,	7 1/4"	227	7 7/8"
195	8"	228	6 1/8"
196	8 1/2"	228T.....	6 1/2"
197	7 1/4"	230	8 1/2"
198	8"	231	8 1/2"
199	14"	233	7 1/2"
200.....	8"	234	7 1/2"
211.....	10"	235	7 3/4"
		236	7 1/2"
		240	8"
		242	10"
		243	8 1/2"
		244	8 1/2"
		245, 245C	6 1/4"
		246	8 1/4"
		247	8 1/4"
		248	8"
		249	8"
		253*.....	25"
		259	32"
		260.....	10"
		262.....	8"
		273	8"

The toe tap drain kit for these tub models includes a straight PVC fitting for weld adhesive connection to the drain pipe directly underneath the tub drain. A 6" brass tailpiece is available, sold separately. When installing to brass, use the provided brass nut in lieu of the PVC fitting to secure the assembly to the threaded drain body.¹

Distance from the bottom of the drain to the finished floor will vary with each tub model. Be sure to measure this distance before trimming rough-in pipe. Weight of the the tub should not rest on the drain; damage may result.¹



*Rough-in dimensions provided are from center of drain to the top outside edge as shown on the product specification sheet. See product specifications for drain and overflow orientation and additional product dimensions.

¹MTI does not warrant leaks or damages associated with improper drain installation and will not be responsible for any costs related to improper installation. If you need assistance, please call the MTI Service Department at 800.783.8827.



Installation Instructions

Freestanding Tubs with Integral Overflow

The integral overflow tubs by MTI Baths require only the waste to be installed. The P-trap will be located directly below the drain. See rough-in chart by model in this manual or the tub specification sheet at mtibaths.com. The tub comes equipped with a toe tap drain and PVC drain fitting.

ⓘ **MTI Recommends using clear 100% silicone sealant. Do Not use plumber's putty.**

With Subfloor Access

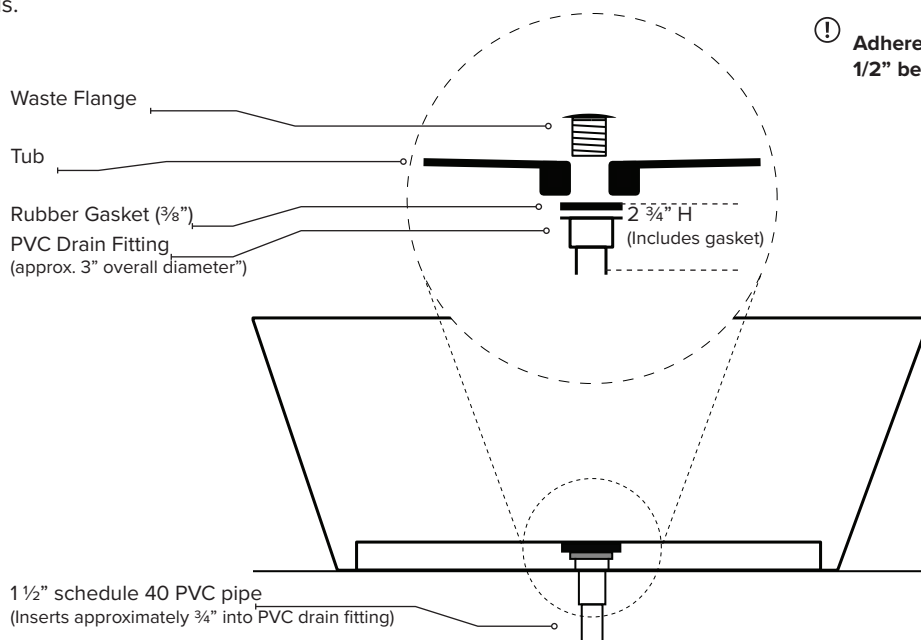
1. Install drain assembly on tub using clear silicone under metal waste flange and on both sides of the gray rubber gasket on underside of the tub. MTI recommends using a small amount of clear silicone on the female threads of the PVC drain fitting to act as a thread sealant. Tighten until it seats, plus one half turn.

Do not overtighten and do not exceed 7ft-lbs maximum. Product damage will occur. ¹

2. Adhere tub to the finished floor using 1/2" bead of clear silicone. Make sure that tub is precisely located where desired and that the hole in the floor for the waste pipe aligns with the tub drain. Immediately wipe off any excess silicone that may be on the floor or exterior of the tub.
3. Finish drain installation from below.
4. Allow time for adhesives to cure and water test for leaks. Many products are ready to test in as little as 30 minutes. Please refer to product label(s) for details.

Without Subfloor Access

1. Stub out drain and P-trap with 1 1/2 schedule 40 PVC pipe at least 1" above finished floor. Because the height will vary slightly from tub to tub, box out around the pipe to allow trimming this pipe below grade upon installing the MTI supplied fitting. The fitting is approximately 3" in diameter.
2. Determine gap between underside of tub (at drain) and the floor. Shorten 1 1/2 inch pipe to allow for the overall height of the the supplied PVC drain fitting and gasket above the finished floor. Dry fit drain fitting to pipe to insure proper height is achieved before setting the tub. **The weight of the tub must not rest on the drain pipe.**
3. Glue fitting to pipe using PVC cement and adhere the rubber gasket to the top of flange with clear silicone.
4. Apply another bead of silicone on top of gasket and a small amount of silicone in the top threads of PVC drain fitting to act as a thread sealant.
5. Adhere tub to the finished floor using 1/2" bead of clear silicone. Make sure that the drain hole, gasket and flange align so that the waste flange can be threaded in from inside the tub. Immediately wipe off any excess silicone that may be on the floor or exterior of the tub.
6. Place a small bead of silicone under the metal waste flange and thread into PVC drain fitting from inside the tub. Tighten until it seats plus one quarter turn.
7. Allow time for silicone and water test for leaks. Many products are ready to test in as little as 30 minutes. Please refer to product label for details.



ⓘ **Adhere tub to the floor with at least 1/2" bead of silicone.**



Installation Instructions – Elena With Cradle

This tub with cradle is designed to install upon finished floor and features an integral overflow, requiring only the waste to be installed. The P-trap will be located directly below the drain. Use actual tub to determine final rough-in location. Instructions below assume subfloor access to solder finished brass tailpiece to your waste pipe. Use of a quick connect drain kit eliminates the need for soldering. When using a quick connect drain, follow the instructions below to install the cradle and toe tap drain assembly, then use quick connect drain instructions for final installation.

! MTI Recommends using clear 100% silicone sealant. Do Not use plumber's putty.



NOTICE: floor protecting silicone or rubber covers for furniture feet may be used with cradle for additional floor protection. Item not supplied by MTI Baths.

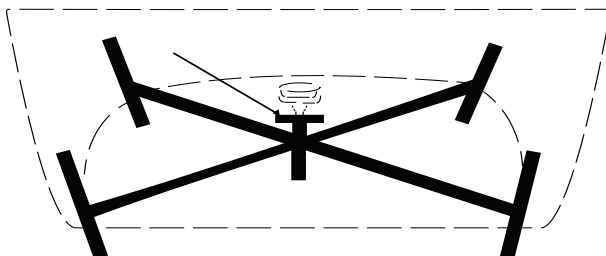
Using furniture feet covers may increase slip potential of cradle with tub. Be sure to adhere furniture feet to floor using clear silicone.

INSTALLATION INSTRUCTIONS

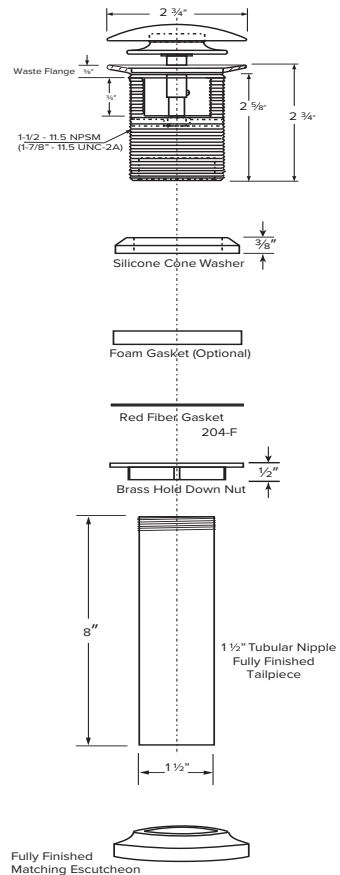
1. Ensure tub installation location is structurally sound, flat and level.
2. Install P-trap with rough-in waste pipe situated directly below planned location of tub drain.
3. Dry fit to ensure proper alignment and mark cradle location. Make sure that the tub drain is aligned with roughed-in waste pipe, then mark location of all 5 feet of the tub cradle before removing tub and cradle.
4. Apply silicone adhesive under each of the 5 legs of the cradle and align each leg with previously marked locations. Wipe off excess adhesive. Allow cure time and install drain kit onto tub before setting tub back into the cradle.

IMPORTANT: Secure protective cloth around top portion of cradle legs before setting tub into cradle!

5. Install toe tap drain on tub using clear silicone under the waste flange and on both sides of the silicone gasket on underside of the tub. Tighten brass hold-down nut until it seats, plus one quarter turn. Thread decorative tail piece into the threaded waste. Allow curing time and water test for leaks. Many products are ready to test in as little as 30 minutes. Please refer to product label for details.
6. Slip on and temporarily secure matching escutcheon to tailpiece before lowering tub back onto cradle. Ensure that tailpiece is aligned with hole in the floor for waste line.
7. From below floor, solder tailpiece to 1.5" brass waste pipe, making sure to protect surrounding materials.



TOE TAP DRAIN WITH INTEGRATED OVERFLOW AND THREADED BRASS DECORATIVE TAILPIECE



¹MTI does not warrant leaks associated with improper drain installation and will not be responsible for any costs related to improper installation. If you need assistance, please call the MTI Service Department at 800.783.8827.

Installation Instructions – Alcove Tubs

Due to the handcrafted nature of this product, all printed specifications have a +/- 1/2" tolerance and are subject to change at any time. Take all final installation dimensions from your tub before constructing the stud wall.

This tub is ready for installation on a flat, level subfloor. Additional bedding compound is not required. Be sure to test both floor and tub for level prior to installing. To secure the tub to the floor and wall stringers, apply at least 1/2" bead of silicone to all contact surfaces on the bottom of the the tub, integrated skirt and/or end panels, and under the tub rim.

IMPORTANT:
Apply at least a 1/2" bead of silicone to all contact surfaces.

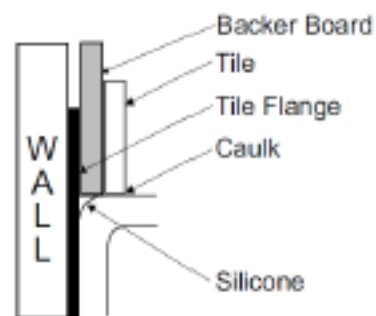
Determine the final height of your stringers by measuring the tub from the underside of the rim to the floor. Mark a level line on the stud walls using the measurement determined above. Attach a 2x2 or similar to the studs, aligning the top of your stringers to this line. All mounting surfaces must be at the proper height.



The ABS tile flange is chemically bonded to the tub at the factory. This facilitates installation and provides a watertight seal on any sides specified.

IMPORTANT: THE TILE FLANGE IS NOT DESIGNED TO SUPPORT THE WEIGHT OF THE TUB!

Make sure the tub is level from front to back and side to side. Screw through the flange into the studs. No pre-drilling is necessary. **Seal / fill the void between the tile flange and the tub with clear silicone.**





Installation Instructions – Airbath

If your bath came equipped with an air system, there are several considerations and important installation procedures to follow. To maintain optimal performance and easy operation, the following conditions must be met.

Electrical installation instructions

See Important Safety Information on page 1 of this manual and Electrical Specifications below. This circuit must be connected to a supply that is protected by a ground fault circuit interrupter (GFCI). Such a GFCI should be provided by the installer and accessible for testing on a routine basis.

Testing The GFCI:

Push the **TEST** button. The GFCI should interrupt power.
Push the **RESET** button. Power should be restored.

WARNING: If the GFCI fails to operate in this manner, there is a ground current flowing, indicating the possibility of electric shock. DO NOT use this unit. Disconnect the unit and have the problem corrected by a qualified service representative before using.

Every MTI air blower is supplied with a 29” grounded cord and NEMA plug to be plugged into a grounded receptacle*. **Do not remove this plug.** If a wall mount switch is desired to control use of the unit, the switch should control the receptacle. **Under no circumstance should you alter the provided supply cord.**

Before servicing unit, shut off all electrical outlets as more than one outlet may be energized.

*Air blowers do not require a bonding conductor.

Electrical Specifications

Air Blower 9.5 AMP

System components supplied with MTI tubs intended for installation within the U.S. & Canada are limited to 110V. Check your order details when installing outside of these territories.

Airbath Installation Instructions

Read all installation instructions before beginning install.

The blower and check valve must be remotely located within 8’ of the tub (*See Illustration A on the page 9*). A common location is a closet or cabinet. The check valve must be 2” above the height of the top of the tub rim and can be mounted to the framing or wall with pipe hanger, pipe clamp, metal straps or wire ties. MTI SculptureStone airbaths come with a remote control and optional keypad.

Blower Installation

- Installation location of the blower must be properly ventilated to keep it from overheating and climate controlled to avoid the impact of cold ambient air on the performance of the blower and guard against humidity that can be corrosive to the electronics.
- 14” x 16” access must be provided for future servicing.
- The blower requires approximately 2ft³ of space and 1” x 4” vent for proper circulation. Do not use insulation within 8” of the blower, and never wrap insulation around the blower as this will cause the equipment to fail.
- Secure blower using wood screws through the mounting feet.
- Within 2 ft. of the blower, there must be a GFCI electrical outlet on a 110 VAC that is the recommended size for the air system. The GFCI outlet must be accessible for future servicing.

Note: MTI does not recommend locating the blower more than 8’ from the tub to prevent heat loss from the blower to the tub. 1” schedule 40 PVC pipe and pipe insulation may be used to help retain the warmth of air from the blower.

Installation Instructions – Airbath

If your bath came equipped with an air system, there are several considerations and important installation procedures to follow. To maintain optimal performance and easy operation, the following conditions must be met.

Check Valve And Airline Installation

- The remote check valve **MUST** be mounted at least 2" above the top rim of the tub. Use 1" PVC flexible pipe or rigid schedule 40 to connect the remote check valve to the manifold (factory installed underneath the tub) or to the grey air hose at the manifold. Connect the check valve to the blower using the grey hose. Make sure ring clamps are secure on both end of the grey hose(s).
- **NOTE:** Depending on remote check valve location and site conditions, the air hose that is attached to the manifold can remain within the pedestal or run under the floor to connect to the roughed in airline in the floor, or exit the tub through the side of the pedestal base for an above-the-floor airline installation. When running grey hose under the floor, use a heat resistant adhesive to secure connection from hose to pipe and use care not to crush or restrict the airflow in the line in any way.

IMPORTANT: Side exit from the pedesal would require onsite drilling through the pedestal and should only be considered when there is no subfloor access to run the airline. MTI does not recommend an above-the-floor airline, unless the tub and outlet in pedestal are very close the wall or the airline can be concealed with nearby or surrounding cabinetry. Onsite modification to the pedestal is performed at the risk of the installer. MTI does not pre-drill the pedestal base for side exit (**Photo A**).

Water Sensor, Remote Control & Keypad Installation

- The water sensor wire, factory installed to posts under the tub on either side of the tub drain (**Photo B**), will connect to a port on the side of the blower (*See Illustration A on next page*). Do not attempt to remove the sensor wires from the tub. To extend this wire, splice in 18 gauge, low voltage wire. Be sure to save the two pin connector to allow connection to the blower.
- Use the 12" ethernet cable to connect the radio receiver module to the blower. (*See Illustration B on next page*). The keypad comes synchronized to the blower from the factory. Synchronization instructions are provided with the remote control.
- The keypad is optional and can be mounted convenient to the bather or in an inconspicuous location to use as a secondary option for system control. Use the 6' ethernet cable to connect the keypad to the secondary jack on the radio receiver module (*See Illustration B on next page*).

Test

- Plug the blower into the outlet and test for operation. After the airbath is turned off and water drains from the tub, the LED light on the keypad will flash continuously, indicating the purge cycle is activated.
- **NOTE:** All air baths are equipped with an automatic drying cycle. Approximately 7 minutes after the bath is drained, the blower will turn on for 1-2 minutes. This drying cycle cannot be cancelled. Any attempt to cancel this cycle resets the countdown timer. When the purge cycle is complete, the LED light will cease flashing.

PHOTO A

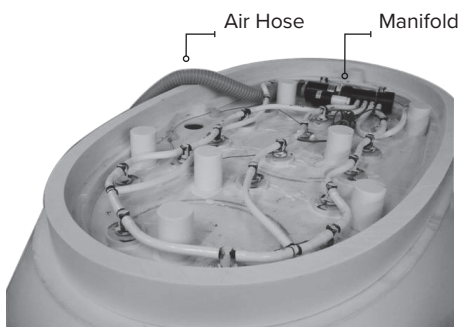
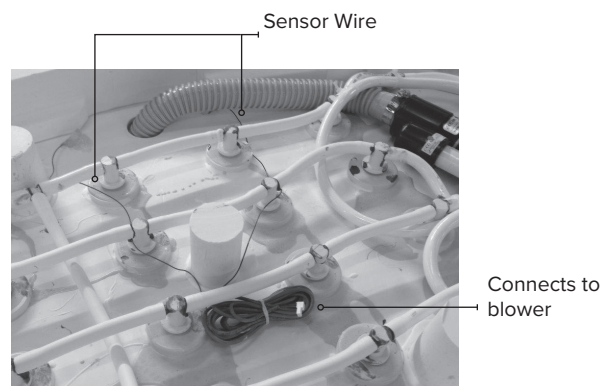


PHOTO B





Installation Instructions – Airbath

The following illustrations are referenced in the instructions on page 8.

Illustration A

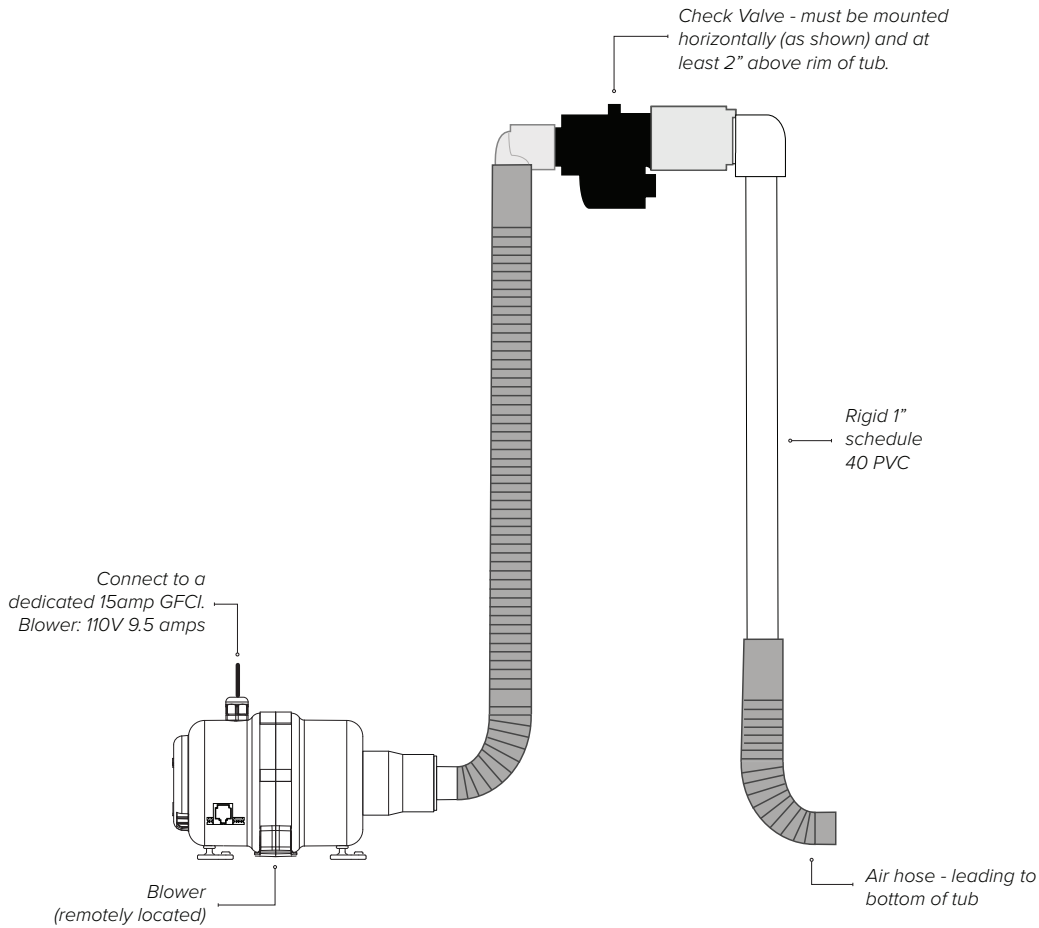
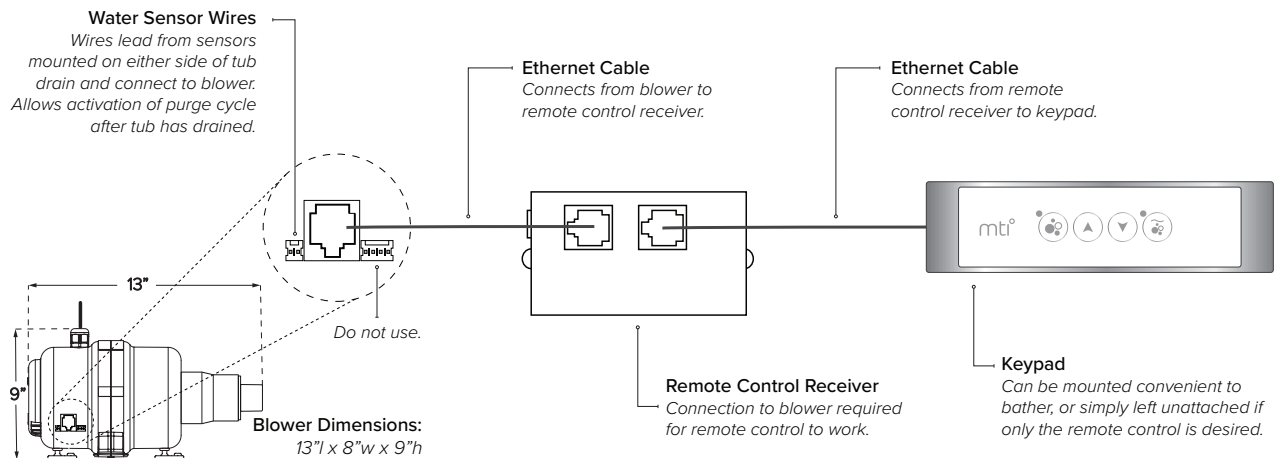
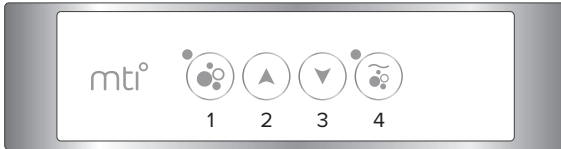


Illustration B



Operation Instructions – Airbath Keypad and Remote

Note: Numbered instructions depict buttons in photo as seen from left to right on keypad or top to bottom on remote control.



Airbath Keypad

FUNCTIONS:



1. ON/OFF

1st Press: The blower starts. LED light on.
2nd Press: The blower stops. LED light off.



2. BLOWER SPEED INCREASE

Press & hold to increase the blower speed. Release pressure at the desired speed.
Note: The blower initially starts at 30% speed.



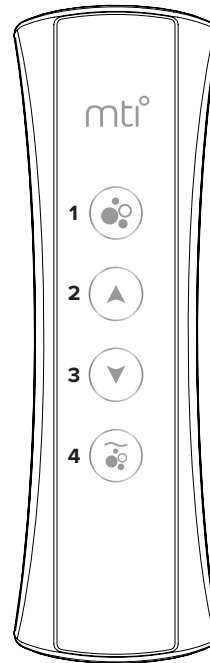
3. BLOWER SPEED DECREASE

Press & hold to decrease the blower speed. Release pressure at the desired speed.



4. SPA MODES

1st Press (Wave): Speed will vary gradually from maximum to minimum. LED light on.
2nd Press (Pulse): Speed will go directly to minimum and then straight back to maximum. LED light will flash.
3rd Press (Steady): Returns to maximum speed (100%). LED light turns off. To decrease speed press "decrease" arrow down.



Airbath Remote Control

Note: Blower automatically stops after 20 minutes.

STANDARD DRYING CYCLE WITH WATER DETECTORS:

The system is equipped with two sensors on the floor of the bath near the drain. Every time water is introduced to the bath and drained, either by showering, bathing or cleaning, the sensors will activate the drying cycle. The cycle will start approximately 7 minutes after the bath is drained and run for 1-2 minutes. The drying cycle will activate even when the air system has not been turned on. The blower LED blinks (on keypad only) during the drying cycle countdown. This countdown cannot be cancelled. Any attempt to cancel this cycle only resets the countdown timer.

OPERATIONAL VIDEOS:

Please visit mtibaths.com



Care and Cleaning Instructions

The Engineered SculptureStone® (ESS) surface is among the highest quality surfaces available, designed and engineered to resist scratches and stains when used properly. Its hard, non-porous surface prevents dirt from accumulating and resists stains better than other materials. To maintain the elegant look of the ESS surface, follow these simple steps:

Matte Finish

1. Remove dust or dry dirt with a soft, damp cloth, and clean with any mild dish soap and water.
2. Clean grease, oil, paint or ink stains with isopropyl (rubbing) alcohol or Mr. Clean® Magic Eraser. Rinse and dry with a soft, dry cloth.
3. For more stubborn stains, use a mild abrasive cleaner such as Soft Scrub or Bon Ami. Repeat as needed for best results. A gray Scotch Brite pad may be used. **DO NOT USE** the green Scotch Brite pads on the solid-surface tubs as it will destroy the surface. To restore the surface, sand with 180 grit wet/dry sandpaper.
4. Small scratches may be removed by sanding with 180 grit wet/dry sandpaper and then cleaning with Soft Scrub.

Gloss Finish

1. Remove dust or dry dirt with a soft, damp cloth, and clean with any mild dish soap and water or products specifically made for cleaning granite or other high-gloss counter surfaces (e.g. Countertop Magic). Do not apply to the floor of the tub, as some products may make the tub slippery.
2. Clean grease, oil, paint or ink stains with isopropyl (rubbing) alcohol. Dry with a soft, dry cloth.
3. Never use any abrasive cleaners. If any product feels gritty, it is NOT safe to use on the gloss-finished surface.
4. Small scratches may be removed by sanding with wet/dry sandpaper. Contact MTI for recommended grit based upon extent of damage.

Exterior Color

1. Remove dust or dry dirt with a soft, damp cloth, and clean with any mild dish soap and water or automotive cleaner for flat/matte or gloss finish, such as 3M Flitz automotive surface cleaner. Follow product label directions and precautions.*
2. Clean grease, oil, paint or ink stains with isopropyl (rubbing) alcohol. Dry with a soft, dry cloth.
3. Never use any abrasive cleaners. If any product feels gritty, it is NOT safe to use on the exterior color-finished surface.
4. Do not allow surface to come into contact with nail polish, nail polish remover, Wintergreen oil, dry cleaning solution, lacquer thinners, gasoline, pine oil, etc.
5. Small scratches can be removed by applying a thin coat of automotive polishing liquid and buffing lightly with a clean cloth. For deeper scratches, sand the surface lightly with wet/dry sandpaper. Contact MTI for recommended grit based upon extent of damage.

* Be sure to check the product label. Some products, although not containing abrasives, WILL damage the product over time. Never use any type of “scrubbing bubbles” or aerosol spray cleaners on your product.

General Care

1. Do not clean with hot water when room temperature is below freezing.
2. Avoid using razor blades or other sharp objects that might scratch the surface.
3. Do not use harsh chemicals, such as hydrochloric acid, sodium hydroxide, paint thinner, chloride solvents or any strong acid or base, as this will permanently damage the finish. Also avoid any cleaners that include lime removal agents such as CLR or Lime-A-Way, as these can also damage the finish.
4. Avoid any bath products that contain natural or artificial dyes. Test product first on an inconspicuous area before using.
5. MTI strongly recommends a professional surface repair person for deep scratches, chips or gouges.
6. Damage occurring to the unit during installation is the responsibility of the installer, and after installation, the responsibility of the user.

This tub is made of natural minerals and resin and may have minor variations in color and surface texture throughout the tub. This is normal and part of the unique, hand-crafted beauty for products made from natural minerals. Improper use may damage the tub or its finish and void the warranty.



Troubleshooting FAQ

Q: THE BLOWER WILL NOT TURN ON. WHAT SHOULD I CHECK FIRST?

Check the electrical connections. Test the outlet for power by plugging in a small lamp or hair dryer. Check to make sure the breaker is not tripped. Replace GFCI outlet or breaker if necessary.

Q: THERE IS A RUST COLORED, GREASY RING IN MY BATH TUB. WHAT CAUSES THIS?

The condition results from sediment in the water heater of the home. Drain and flush the heater according to the manufacturer's instructions, and then clean the interior of the tub with a mild, grease cutting dish soap.

Q: THE BLOWER IS TURNING ON, YET THE AIR JETS ON MY TUB ARE NOT BLOWING AIR BUBBLES. WHAT COULD BE THE PROBLEM?

One or more connections may have been unplugged during installation. Check that the grey air hose from the air blower to the manifold, and from the manifold to the tub, is properly connected. If necessary, reconnect and tighten clamps. See illustration on page 9.

Q: I HAVE AN MTI AIR BATH, AND IT APPEARS TO JUST TURN ON EVEN IF WE NOT IN THE TUB.

Each MTI Boutique Series air bath is equipped with a pair of sensors near the drain of the bath. They appear as two small chrome buttons. Every time water is introduced into the bath, even if the air system was not used, the air system will automatically activate approximately 7 minutes after the water has drained out of the tub in order to purge the system of any small droplets of water. The system will turn off in approximately 1 minute.

Q: I UNDERSTAND THE PURGE CYCLE, HOWEVER, MY TUB IS NOW PURGING IN THE MIDDLE OF THE NIGHT, HOW CAN I STOP THIS FROM HAPPENING?

Small, barely detectable power fluctuations may have disrupted the purge cycle. Turn the breaker off (or unplug the blower), wait for ten seconds, then plug back in. The blower should now follow the normal purge cycle.

Q: THE AIR BUBBLES SEEM COOL. HOW DO I CHECK THAT THE BLOWER IS WARMING THE AIR?

To verify, turn the air system on high for 4-5 minutes (you do not need to have water in the tub). Carefully feel the grey air hose where it exits the blower. It should be warm to the touch. If it is cold, please contact MTI for service. Please note that some skin sensitive people might experience the so-called "cold air effect", which is caused by the actual sensation of air bubbles running along the skin, giving the bather a "shivering" sensation. **Note:** Even if the air entering the tub was hot enough to burn the skin, this shivering effect would still persist. The heated blower is not designed to heat your bath water, just to pre-heat the incoming air. The air hose and blower must be installed in a climate controlled environment. Pipe insulation may be used to insulate the air hose, however, do not insulate the blower itself; the blower needs sufficient air space surrounding it for proper circulation and operation.

Q: IS IT SAFE TO USE BATH SALTS OR BATH OILS IN MY TUB?

Water soluble products such as bath salts are fine to use, however, MTI does not recommend the use of heavy bath oils. If bath oil is used, refer to the care and cleaning section of this manual for proper after-care and cleaning instructions.

Q: HOW CAN I GET SCRATCHES OUT OF MY ESS TUB?

Most scratches and scuffs can be easily sanded out. Please contact MTI's service department for instructions. Deeper scratches and chips may require the services of a professional repair technician.

Q: MY BATH'S AIR SYSTEM HAS BEEN WORKING GREAT FOR YEARS, AND THEN SUDDENLY JUST STOPPED WORKING. WHAT SHOULD I CHECK FIRST?

The problem is most likely the breaker or the GFCI outlet. Check your breaker box first, and then use a hairdryer to test the outlet where the equipment is plugged in. This should identify the problem. If both these items check out fine, please have your serial or registration number available and contact MTI's service department.

Q: THE REMOTE CONTROL FOR MY AIR BATH NO LONGER FUNCTIONS. WHAT CAN I DO?

Barely detectable power fluctuations may occasionally disrupt the remote control operation. To correct:

1. Turn off the breaker or unplug the blower, then turn it on again.
2. Within 15 seconds, simultaneously press the "plus" and "minus" buttons, hold down for four seconds, and release. The remote is now ready for use.
3. If the synchronization is not successful, simply repeat the steps.

If the remote is still inoperable, please have your serial or registration number available and contact MTI's service department. The remote control is a non-serviceable, sealed control, so it cannot be repaired on site.



MTI Residential Warranty

This warranty is effective for all MTI Engineered SculptureStone® (ESS) tubs manufactured after **January 1, 2018**, and is in lieu of all other warranties. MTI Baths, Inc. See commercial warranty for commercial installation coverage.

Lifetime Bath Warranty

Shell: MTI Baths (MTI) warrants the shell of the SculptureStone tub against defects in material and workmanship for the lifetime of the product to the original purchaser. Slight variations in the surface are indigenous to the natural stone appearance and do not compromise the structural integrity of the product, therefore are not considered defects or flaws. Blemishes, air holes or casting marks on the underside of the bath are not considered defects and do not affect the performance or quality of the product.

Air Bath: The non pro-rated warranty covers the blower against defects in material or workmanship. All other hydrotherapy components included in MTI packages are subject to the MTI Two-Year parts warranty.

Two-Year (Parts Only) Warranty: MTI warrants all Boutique Collection hydrotherapy components not specified above for two years (parts only) against defects in material or workmanship. If an electronic component or keypad is deemed defective within the two year period, MTI will send replacement parts at no charge.

Replacement parts shall assume the remaining warranty period of the parts replaced, and are subject to availability and may differ from those originally supplied. Changes in materials, parts or specifications are not valid reasons for product refusal or replacement under warranty.

Accessories manufactured by MTI Baths, Inc. carry a one year warranty for parts only. Accessories sold by MTI, but not manufactured by MTI, carry terms of warranty provided by the original manufacturer.

Warranty Performance: Replacement parts and/or repair services authorized under the terms of this warranty will result in the issuance of a service order number. There will be no charge for necessary repair parts, materials, labor, or related freight costs under the terms of this warranty. No payment for services rendered will be made by MTI Baths without an MTI authorized service order. To obtain service for any malfunction or defect, contact MTI's Technical Service & Warranty Department in writing within 10 days of the discovery of the problem. Proof of purchase must be provided. Other support materials may be requested to assist technicians with problem and warranty assessment. MTI reserves the right to inspect the malfunction or defect on site and repair or replace the unit at our discretion.

Warranty Extent & Limitations: Warranty coverage begins from date of purchase regardless of installation date. The warranty registration card must be filled out by the purchaser and mailed to MTI Baths at 670 N. Price Rd. Sugar Hill, Georgia 30518 or completed online at mtibaths.com/contact-us/warranty-registration/ within one hundred twenty days from purchase.

This warranty is product specific and extends only to the original consumer/purchaser of the MTI Baths product. Original purchase and installation must be within the boundaries of the continental USA*. The warranty terminates after transfer of ownership or if the product is installed or relocated outside the boundaries of the continental USA* by the original consumer/purchaser prior to the expiration of the warranty period. Installation must be in an indoor, climate-controlled, residential environment. The unit must be installed and operated according to the instructions contained in the installation and owner's manual.

MTI cannot guarantee that any tub model currently in use will be available in the future. Product replacement is subject to availability. Replacement products may differ from those originally supplied.

MTI does not warrant leaks associated with improper waste and overflow installation or damages from over-filling the bath. **Never leave a full bath or filling bath unattended.** MTI will not be responsible for the cost of removing or reinstalling the unit, or costs associated with any adjacent materials.

CONTINUED ON NEXT PAGE...



Warranty Exclusions: Changes in materials, parts or specifications are not valid reasons for product refusal or replacement under warranty claims. Defects, damage, or failure caused by common carrier, installer, user, or other persons are excluded from this warranty. We do not cover defects, damage, or product failure caused by the following: careless handling, modification of any type for any reason, improper installation (see “Installation Instructions”), connections supplied by the installer, misuse, incorrect or improper maintenance, use of improper cleaners and/or chemicals (see “Care & Cleaning”), food, beverages (i.e., red wine), bathing products with harmful dyes or other contents (i.e., glitter), medicinal products i.e., mecurochrome), make-up or hair dye, hot appliance and cigarette burns, or extraordinary acts such as earthquakes, hurricanes, lightning, floods, hail, etc.

Display Models: Display floor models and overstock sale units are excluded from this warranty.

Drain Kits & Finishes: Drain kits that are sold by MTI are not manufactured by MTI and are excluded from this product warranty. Many drain kits and accessories carry a factory warranty direct from the manufacturer. Terms vary among manufacturers. Special order finishes for drain kits are excluded from this product warranty.

Acts Invalidating Warranty: Inspection of the unit prior to installation is the responsibility of the installer(s) or person(s) acting on behalf of the product owner. He/she will be responsible for ensuring that the unit is free of defect or damage. Our shipping container advises the installer of this responsibility. MTI is not responsible for failure or damage that should have been discovered, repaired and avoided by proper inspection and testing prior to installation. Damage that occurred in transit is the responsibility of the carrier. The consignee must open and inspect the unit for damage when it is delivered. If the unit is damaged, this must be reported immediately to both the seller and the carrier in writing and an inspection must be requested. In the event that the carrier fails to respond, report such response to both the seller and the carrier. Any freight claims must be filed within ten business days.

The check valve on all air baths must be installed 2” above the water line of the tub. Access must be provided to each air blower and/or electrical component on your tub. The access panel(s) must have a minimum size of 16”x14” for installation and future servicing of the equipment. MTI Baths, Inc. will not authorize any service unless clear access is available. Access from a crawlspace or incomplete access to all equipment may result in warranty claims being denied. The tub must be water tested for proper drainage, system operation, and leak detection prior to final installation and installed per the installation instructions provided. Failure to do so will void warranty. Damage, including chips or scratches, occurring to the unit during installation is the responsibility of the installer and after installation is the responsibility of the product owner.

MTI BATHS IS NOT LIABLE FOR INCIDENTAL OR CONSEQUENTIAL DAMAGE, LOSS OF TIME, INCONVENIENCE, INCIDENTAL EXPENSES, LABOR OR MATERIAL CHARGES OR ANY OTHER COSTS RELATED TO THE APPLICATION OF THIS WARRANTY.

Disclaimers:

MTI Baths is not responsible for incidental or consequential damages/losses from any cause such as water damage to carpeting, floors or ceilings. Optional equipment not manufactured by MTI or installed by MTI is not covered. Damages or defects that should be detected before installation are not covered. The limited warranty does not include labor, transportation, or other costs incurred in the removal and/or reinstallation of the original unit or replacement unit. Costs related to obtaining access for repair are not covered. The foregoing warranty is EXCLUSIVE and in lieu of all other warranties, including any other warranty of quality, express or implied, and including any warranty of merchantability, or any warranty of fitness for any particular purpose.

To verify coverage or request service, please contact the MTI Service Department at 800.783.8827 or email service@mtibaths.com. Please have serial or registration number available.

**Exceptions for Alaskan and Canadian Customers: MTI Baths extends the complete ten year Limited Residential Warranty to any ESS tub installed within a 75-mile radius of an Authorized MTI Distributor. Any installation site outside the 75-mile radius will be covered for two years, parts only.*

**Exceptions for Hawaiian Customers: MTI Baths extends the complete ten year Limited Residential Warranty to Hawaiian customers on the islands of Maui, Kauai and Oahu only. All other locations will be covered for two years, parts only.*



MTI Commercial Warranty

This warranty is effective for all MTI Engineered SculptureStone® (ESS) tubs manufactured after **January 1, 2018**, and is in lieu of all other warranties. MTI Baths, Inc. (MTI) provides a limited warranty for all ESS tubs for use in the continental USA to the **original purchaser** for commercial, rental or multi-family application.

Two-Year Bath Warranty

Shell: MTI Baths (MTI) warrants the shell of the SculptureStone tub against defects in material and workmanship of the product for a period of two years from the date of purchase to the original purchaser. Slight variations in the surface are indigenous to the natural stone appearance and do not compromise the structural integrity of the product, therefore are not considered defects or flaws. Blemishes, air holes or casting marks on the underside of the bath are not considered defects and do not affect the performance or quality of the product.

Air Bath: The non pro-rated warranty covers the blower against defects in material or workmanship. All other hydrotherapy components included in MTI packages are subject to the MTI One-Year parts warranty.

One-Year (Parts Only) Warranty: MTI warrants all Boutique Collection hydrotherapy components not specified above for one year (parts only) against defects in material or workmanship. If an electronic component or keypad is deemed defective within the one year period, MTI will send replacement parts at no charge.

Replacement parts shall assume the remaining warranty period of the parts replaced, and are subject to availability and may differ from those originally supplied. Changes in materials, parts or specifications are not valid reasons for product refusal or replacement under warranty.

Warranty Performance: Replacement parts and/or repair services authorized under the terms of this warranty will result in the issuance of a service order number. There will be no charge for necessary repair parts, materials, labor, or related freight costs under the terms of this warranty. No payment for services rendered will be made by MTI Baths without an MTI authorized service order. To obtain service for any malfunction or defect, contact MTI's Technical Service & Warranty Department in writing within 10 days of the discovery of the problem. Proof of purchase must be provided. Other support materials may be requested to assist technicians with problem and warranty assessment. MTI reserves the right to inspect the malfunction or defect on site and repair or replace the unit at our discretion.

Warranty Extent & Limitations: Warranty coverage begins from date of purchase regardless of installation date. The warranty registration card must be filled out by the purchaser and mailed to MTI Baths at 670 N. Price Rd. Sugar Hill, Georgia 30518 or completed online at mtibaths.com/contact-us/warranty-registration/ within one hundred twenty days from purchase.

This warranty is product specific and extends only to the original consumer/purchaser of the MTI Baths product. Original purchase and installation must be within the boundaries of the continental USA. The warranty terminates after transfer of ownership or if the product is installed or relocated outside the boundaries of the continental USA by the original consumer/purchaser prior to the expiration of the warranty period. Installation must be in an indoor, climate-controlled environment. The unit must be installed and operated according to the instructions contained in the installation and owner's manual.

MTI cannot guarantee that any tub model currently in use will be available in the future. Product replacement is subject to availability. Replacement products may differ from those originally supplied.

MTI does not warrant leaks associated with improper waste and overflow installation or damages from over-filling the bath. **Never leave a full bath or filling bath unattended.** MTI will not be responsible for the cost of removing or reinstalling the unit, or costs associated with any adjacent materials.

CONTINUED ON NEXT PAGE...



Warranty Exclusions: Changes in materials, parts or specifications are not valid reasons for product refusal or replacement under warranty claims. Defects, damage, or failure caused by common carrier, installer, user, or other persons are excluded from this warranty. We do not cover defects, damage, or product failure caused by the following: careless handling, modification of any type for any reason, improper installation (see "Installation Instructions"), connections supplied by the installer, misuse, incorrect or improper maintenance, use of improper cleaners and/or chemicals (see "Care & Cleaning"), food, beverages (i.e., red wine), bathing products with harmful dyes or other contents (i.e., glitter), medicinal products i.e., mecrochrome), make-up or hair dye, hot appliance and cigarette burns, or extraordinary acts such as earthquakes, hurricanes, lightning, floods, hail, etc..

Display Models: Display floor models and overstock sale units are excluded from this warranty.

Drain Kits & Finishes: Drain kits that are sold by MTI are not manufactured by MTI and are excluded from this product warranty. Many drain kits and accessories carry a factory warranty direct from the manufacturer. Terms vary among manufacturers. Special order finishes for drain kits are excluded from this product warranty.

Acts Invalidating Warranty: Inspection of the unit prior to installation is the responsibility of the installer(s) or person(s) acting on behalf of the product owner. He/she will be responsible for ensuring that the unit is free of defect or damage. Our shipping container advises the installer of this responsibility. MTI is not responsible for failure or damage that should have been discovered, repaired and avoided by proper inspection and testing prior to installation. Damage that occurred in transit is the responsibility of the carrier. The consignee must open and inspect the unit for damage when it is delivered. If the unit is damaged, this must be reported immediately to both the seller and the carrier in writing and an inspection must be requested. In the event that the carrier fails to respond, report such response to both the seller and the carrier. Any freight claims must be filed within ten business days.

The check valve on all air baths must be installed 2" above the water line of the tub. Access must be provided to each air blower and/or electrical component on your tub. The access panel(s) must have a minimum size of 16"x14" for installation and future servicing of the equipment. MTI Baths, Inc. will not authorize any service unless clear access is available. Access from a crawlspace or incomplete access to all equipment may result in warranty claims being denied. The tub must be water tested for proper drainage, system operation, and leak detection prior to final installation and installed per the installation instructions provided. Failure to do so will void warranty. Damage, including chips or scratches, occurring to the unit during installation is the responsibility of the installer and after installation is the responsibility of the product owner.

MTI BATHS IS NOT LIABLE FOR INCIDENTAL OR CONSEQUENTIAL DAMAGE, LOSS OF TIME, INCONVENIENCE, INCIDENTAL EXPENSES, LABOR OR MATERIAL CHARGES OR ANY OTHER COSTS RELATED TO THE APPLICATION OF THIS WARRANTY.

Disclaimers:

MTI Baths is not responsible for incidental or consequential damages/losses from any cause such as water damage to carpeting, floors or ceilings. Optional equipment not manufactured by MTI or installed by MTI is not covered. Damages or defects that should be detected before installation are not covered. The limited warranty does not include labor, transportation, or other costs incurred in the removal and/or reinstallation of the original unit or replacement unit. Costs related to obtaining access for repair are not covered. The foregoing warranty is EXCLUSIVE and in lieu of all other warranties, including any other warranty of quality, express or implied, and including any warranty of merchantability, or any warranty of fitness for any particular purpose.

To verify coverage or request service, please contact the MTI Service Department at 800.783.8827 or email service@mtibaths.com. Please have serial or registration number available.



NOTES



NOTES

NOTES



MTI Baths
670 North Price Road
Sugar Hill, GA 30518
p: (800) 783-8827
f: (800) 438-8827



Made in the USA

[mtibaths.com](https://www.mtibaths.com)

© Copyright 2021 by MTI Baths, Inc.
Modification Rights Reserved. 1021