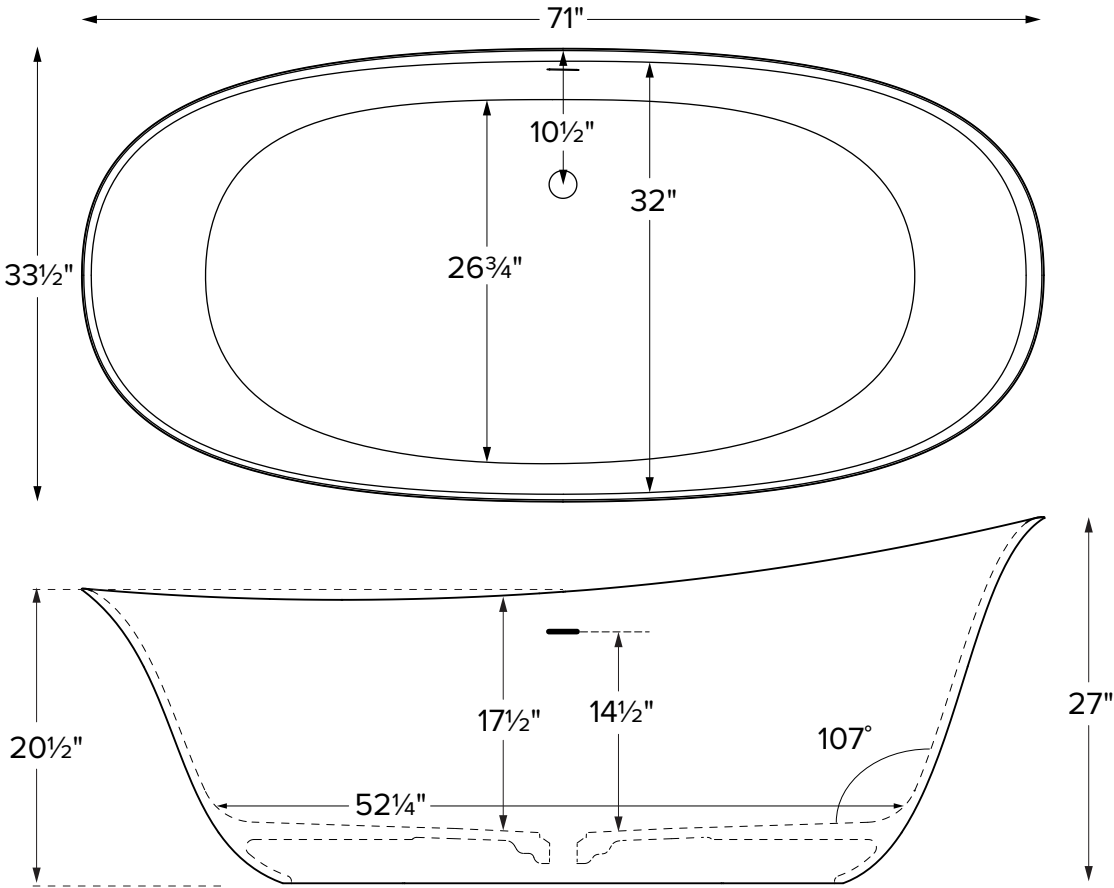


Lucia



Features an integrated overflow

MODEL 277
71" x 33.5" x 20.5"
FREESTANDING 81 gal to overflow
<b>SculptureStone®</b>
295 lbs / 134 kg soaker
Filling this tub to the maximum may require an above average size or dedicated water heater.



ELECTRICAL COMPONENTS & SPECIFICATIONS		
Required Electrical Service - 110 Volt		
Hydrotherapy Package	Components Included	GFCI
Airbath	heated blower	1-15 amp
Electrical requirements may change with the addition of optional therapy components. See specific option details or installation information. CSA Certified C/US; ANSI Z124.1 and ANSI 112.19.7 and ANSI 112.19.7		

- IMPORTANT ORDERING & INSTALLATION INFORMATION**
- Before ordering or installing, please consider future access to equipment.
  - Includes an integrated overflow with toe tap drain in chrome finish. May be specified without an overflow (see local codes before ordering without an overflow).
  - Airbaths require job site preparation for remote installation of the blower and required check valve. Check valve must be installed higher than the rim of the tub.
  - Waterproof remote control included with airbath. Keypad shipped loose may be remote mounted on nearby surface/wall.
  - Faucet valves cannot be mounted on this tub model.

See the Installation & Operation Manual for more details.  
 MTI's Customer Service: Monday-Friday 8am-6pm EST  
**800-783-8827** or [service@mtibaths.com](mailto:service@mtibaths.com)

• Before discarding tub crate, check for accessories that may be packaged inside.  
 • All product measurements are ±1/2".  
 • Specifications and configurations are subject to change without notice.  
 • Measurements herein supersede all others published prior to publication date below.



For more information on options and accessories go to SculptureStone® Tubs Options on mtibaths.com

Lucia  
MODEL # 277  
71" x 33.5" x 20.5"

- Blower & required check valve for airbath must be remote mounted.
- Check valve must be installed higher than the rim of the tub.
- See the Installation & Operation Manual for more details.

Hydrotherapy	Package Contents	Part #	Finish	MSRP
Soaker	Soaking bath - no jets. Includes an integrated slotted overflow with a toe-tap drain kit.	S277	soft matte	\$8,900
		S277GL	hand-polished gloss	\$9,985
Airbath	20 air jets, heated air blower, keypad, waterproof remote control, integrated slotted overflow with a toe-tap drain kit.	AST277	soft matte	\$14,020
		AST277GL	hand-polished gloss	\$15,105

**Options** *Must be ordered at time of purchase*

**Quick Ship** (QSPRI2) **\$1,025** reduces lead time  
*Please call for availability*

**Standard Color** White  
**Biscuit Color Upgrade** (SSBI) **\$310**  
*Additional material colors available for projects only. Please call MTI.*

**Exterior Color** **\$1,760** (SSCOLTG) Gloss Finish (SSCOLTM) Matte Finish  
Must specify color code:  
Sapphire Blue (SB), Blue Lagoon (BL), Terracotta (TC),  
Onyx (OX), Stratus Gray (TG), Stormgray (SG)  
*Check mtibaths.com for current lead time*

**Accessories**

**Teak Bath Mat** (TKMAT3018) **\$815** Measures 30" x 17.5" x 1"  
*Custom sizes also available. Contact MTI for details.*

**Boutique Accessories**  
Packaging / Handling Fee Applies

**SculptureStone® Bathroom Table** (TABLE) **\$825** matte finish  
(TABLEGL) **\$1,235** gloss finish  
*Order with tub for best color match*

**SculptureStone® Standard Faucet Stand**

Small - 3-hole capacity <b>14¼" w x 20½" h</b> Matte (STAND) <b>\$725</b> Gloss (STANDGL) <b>\$1,135</b>	Large - 5-hole capacity <b>22" w x 21½" h</b> Matte (STANDL) <b>\$855</b> Gloss (STANDLGL) <b>\$1,265</b>
---	--

**SculptureStone® Premium Faucet Stand**

<b>15" w x 39" h</b> Matte (SSFSR3915MT) <b>\$2,365</b> Gloss (SSFSR3915GL) <b>\$2,720</b>	<b>10" w x 39" h</b> Matte (SSFSR3910MT) <b>\$2,135</b> Gloss (SSFSR3910GL) <b>\$2,525</b>
<b>20" w x 23" h</b> Matte (SSFSR2320MT) <b>\$1,930</b> Gloss (SSFSR2320GL) <b>\$2,315</b>	<b>15" w x 23" h</b> Matte (SSFSR2315MT) <b>\$1,825</b> Gloss (SSFSR2315GL) <b>\$2,180</b>

**Drains & Overflow Kits** *Must be ordered at time of purchase*

**Toe Tap Drain Cover Finishes**  
PVC drain - Chrome included  
+**\$50** upcharge Br. Nickel (WIOBN), Pol. Nickel (WIOPN)  
+**\$85** upcharge Matte Black (WIOMB)  
+**\$105** upcharge Oil-Rubbed Bronze\* (WIOOR)  
+**\$640** upcharge Special Finish\* (WIOSF)  
*Send finish sample to MTI Baths for best match.*

**Toe Tap SculptureStone® Drain Cover Finishes**  
Upgrade is in lieu of standard chrome to tap drain cover.  
White only  
+**\$90** upcharge Matte Finish (SSWIOMT)  
+**\$110** upcharge Gloss Finish (SSWIOGL)  
**Brass Tailpiece** (WIOBS) **\$85** in addition to finish charge listed above  
**Quick Drain Kit** (WOQ) **\$460**

\* MTI has selected an oil-rubbed bronze finish that is compatible with Delta and many other manufacturers. To ensure best match, order as a Special Finish and submit a sample.  
CSA # MTCT-277  
©2023 by MTI Baths, Inc. Modification Rights Reserved

\* Allow 2-4 weeks lead time for Special Finishes.  
Send sample for best match.

