

MTI BASICS® Collection Tubs

MBRO6036E

60" x 36" x 19.25"

Acrylic Drop-In Tub

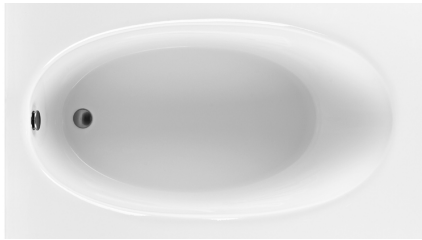
Soaker 100 lbs / 45 kg

Plumbed 125 lbs / 57 kg

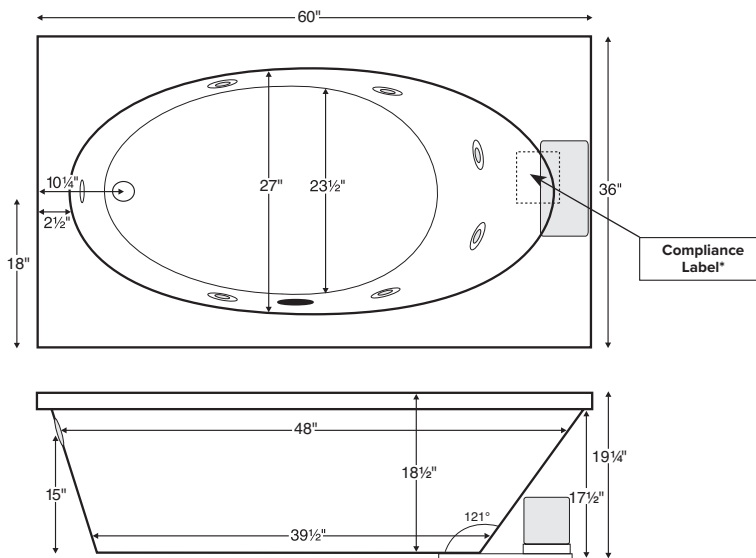
Avg Fill 34 gal to above jet level

Max Fill 51 gal to overflow

NOTE: Filling this tub to the maximum may require an above average size or dedicated water heater.



Shown with Whirlpool Package



Soaker
Soaking bath - No jets. Includes textured bottom.
Part # MBSRO6036E
Air Bath
12 air jets, heated air blower, pre-leveled foam base and textured bottom. Pre-leveled foam base increases overall tub height 2"-3"
Part # MBARO6036E
Whirlpool
6 point-massage jets, 1-bhp pump and textured bottom
Part # MBWRO6036E

Options Must be ordered at time of purchase

Standard White (no charge)
Color Upgrade: Biscuit (MTISCOLOR)

Quick Ship / Priority call for availability
 Soaker & Whirlpool (QSHIPMTIS)
 Airbath (QSHIPMTISA)

Inline Heater
 For Whirlpool (HTRMTIS)
 uses existing pump
 For Soaker & Air Bath (MBHTISOAK)
 heater with recirculating pump

Accessories

Lift and Turn Drain & Overflow
 Chrome (MBWOC)
 White (MBWOW)
 Brushed Nickel (MBWOBN)

Pillows
 Soft Pillow
 White (MBPSW) Black (MBPSB)
 Roll-Up Pillow
 Light Aqua (MBPRUC) Black (MBRUB)

Installation Aids Must be ordered at time of purchase

Tile Flange Factory-Installed rigid ABS
 3 sides (MBTFK3) 2 sides (MBTFK2)
 1 side (MBTFK1)
 Must specify flange location(s) on order.

Pre-Leveled Foam Base
 5' Tubs (MBPLFOAM)
 All airbaths include a pre-leveled foam base.

Pre-Leveled Frame and Foam Base with Skirting
 (Available in white only)
 Raised Fixed Panel
 5' Tubs (MBFSKAO5)
 5.5' Tubs (MBFSKAO55)
 6' Tubs (MBFSKAO6)

Raised Removable Panels
 5' Tubs (MBFSKAR5)
 5.5' Tubs (MBFSKAR55)
 6' Tubs (MBFSKAR6)

Hydrotherapy Package	Components Included	GFCI / 110V
Soaker with Optional Inline Heater	½-bhp pump, inline heater	1-15 amp
Whirlpool or Air Bath	1-bhp pump	1-15 amp
Whirlpool with Optional Inline Heater	1-bhp pump, inline heater	1-20 amp
Air Bath with Optional Inline Heater	heated blower, ½-bhp pump, inline heater	2-15 amp

Important Ordering and Installation Information

- Before ordering or installing, consider access to equipment.
- Always measure tub on-site before building tub deck.
- Use proper bedding compound to fully level and support the tub.
- Tubs equipped with an air system or factory installed pre-leveled foam base are designed to install directly onto a flat level subfloor.
- Tub height is increased up to 3" when equipped with factory-installed foam base.
- Location of all therapy components is predetermined and cannot be changed.
- Options listed cannot be combined with Designer Collection options.

*CSA Certified C/US; ANSI Z124.1 and ANSI 112.19.7

- Before discarding tub crate, check for accessories that may be packaged inside.
- All product measurements are ±1/2".
- Specifications and configurations are subject to change without notice.
- Measurements herein supersede all others published prior to publication revision date.

