

MTI BASICS® Collection Tubs

MBOC6060

59.25" x 59.25" x 21.25"

Acrylic Drop-In Tub

Soaker 100 lbs / 45 kg

Plumbed 125 lbs / 57 kg

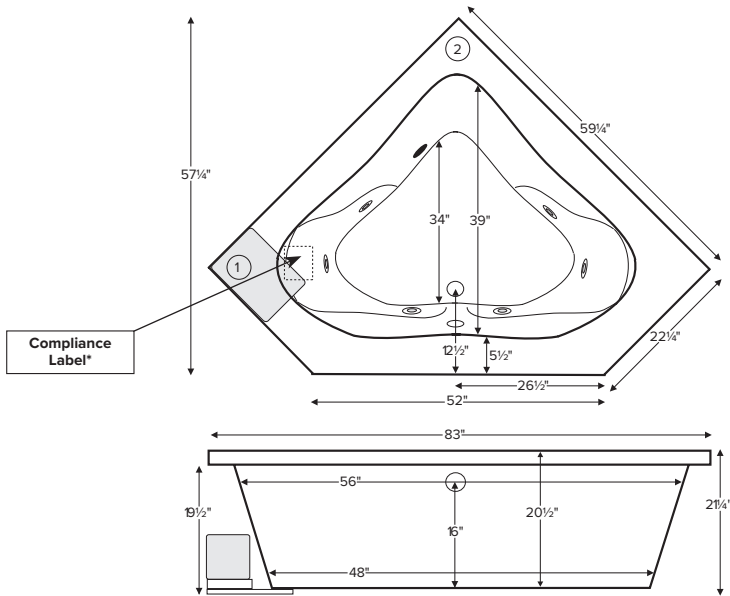
Avg Fill 44 gal to above jet level

Max Fill 85 gal to overflow

NOTE: Filling this tub to the maximum may require an above average size or dedicated water heater.



Shown with Whirlpool Package



Soaker
Soaking bath - No jets. Includes textured bottom.
Part # MBSOC6060
Air Bath
12 air jets, heated air blower, pre-leveled foam base and textured bottom. Pre-leveled foam base increases overall tub height 2"-3"
Part # MBAOC6060
Whirlpool
6 point-massage jets, 1-bhp pump and textured bottom
Part # MBWOC6060

Options Must be ordered at time of purchase

Standard White (no charge)
Color Upgrade: Biscuit (MTISCOLOR)

Quick Ship / Priority call for availability
 Soaker & Whirlpool (QSHIPMTIS)
 Airbath (QSHIPMTISA)

Inline Heater
 For Whirlpool (HTRMTIS)
 uses existing pump
 For Soaker & Air Bath (MBHTISOAK)
 heater with recirculating pump

Accessories

Lift and Turn Drain & Overflow
 Chrome (MBWOC)
 White (MBWOW)
 Brushed Nickel (MBWOBN)

Pillows
 Soft Pillow
 White (MBPSW) Black (MBPSB)
 Roll-Up Pillow
 Light Aqua (MBPRUC) Black (MBRUB)

Drains & Overflow Kits Must be ordered at time of purchase

Tile Flange
 2 sides for corner tubs
 Factory-Installed rigid ABS (MBTFKC)
 Integral (MBTIF)

Pre-Leveled Foam Base
 5' Tubs (MBPLFOAM) All airbaths include a pre-leveled foam base

Pre-Leveled Frame and Foam Base
 Corner Tubs (MBPLFC)

Pre-Leveled Frame and Foam Base with Skirting
 (Available in white only)
 Acrylic Euro-Style Skirt with Removable Panels
 Corner Tubs (MBFSKAC5)

Hydrotherapy Package	Components Included	GFCI / 110V
Soaker with Optional Inline Heater	½-bhp pump, inline heater	1-15 amp
Whirlpool or Air Bath	1-bhp pump	1-15 amp
Whirlpool with Optional Inline Heater	1-bhp pump, inline heater	1-20 amp
Air Bath with Optional Inline Heater	heated blower, ½-bhp pump, inline heater	2-15 amp

Important Ordering and Installation Information

- Before ordering or installing, consider access to equipment.
- Always measure tub on-site before building tub deck.
- Use proper bedding compound to fully level and support the tub.
- Tubs equipped with an air system or factory installed pre-leveled foam base are designed to install directly onto a flat level subfloor.
- Tub height is increased up to 3" when equipped with factory-installed foam base.
- Location of all therapy components is predetermined and cannot be changed.
- Options listed cannot be combined with Designer Collection options.

*CSA Certified C/US; ANSI Z124.1 and ANSI 112.19.7

- Before discarding tub crate, check for accessories that may be packaged inside.
- All product measurements are ±1/2".
- Specifications and configurations are subject to change without notice.
- Measurements herein supersede all others published prior to publication revision date.

CSA # MTIS-OC6060

©2023 by MTI Baths, Inc. Modification Rights Reserved



Rev. 07 07 2023