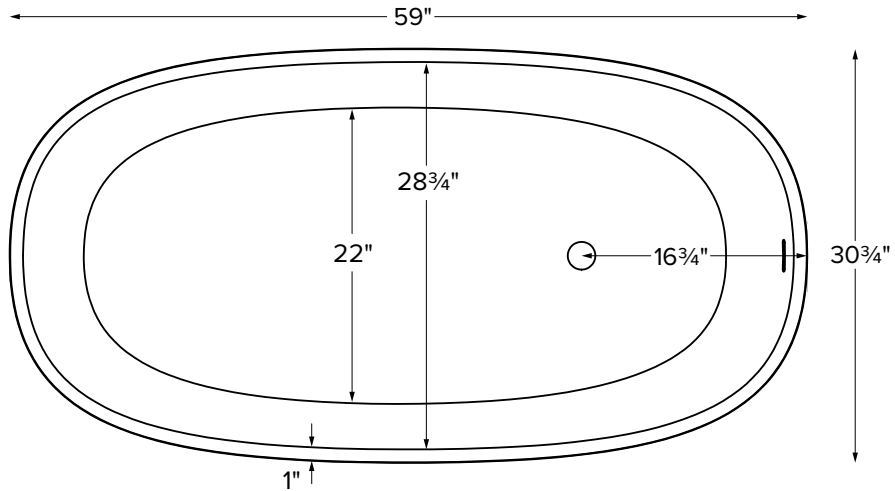


James

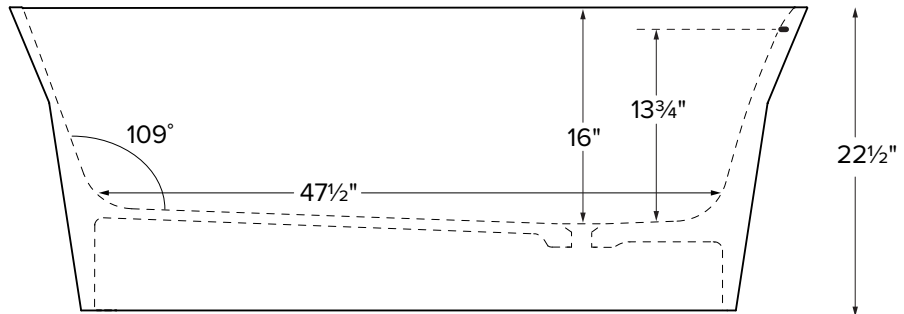
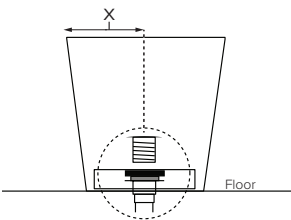


Features an integrated overflow

| |
|--|
| MODEL 411 |
| 59" x 30.75" x 22.5" |
| FREESTANDING 56 gal to overflow |
| Mineral Composite |
| 345 lbs / 157 kg soaker |
| Filling this tub to the maximum may require an above average size or dedicated water heater. |



Drain Rough-In Measurement



| ELECTRICAL COMPONENTS & SPECIFICATIONS | | |
|---|----------------------------|-------------|
| Required Electrical Service - 110 Volt | | |
| Hydrotherapy Package | Components Included | GFCI |
| Air Massage | heated blower | 1-15 amp |
| Electrical requirements may change with the addition of optional therapy components. See specific option details or installation information. CSA Certified C/US; B45.5/IAPMO ANSI Z124.1 and ANSI 112.19.7 | | |

ORDERING AND INSTALLATION

- Before ordering or installing, please consider future access to equipment.
- Integrated overflow with toe tap drain included.
- Air baths require job site preparations for remote mounting the blower and required check valve. Check valve must be installed higher than the rim of the tub.
- Waterproof remote control included. Keypad is shipped loose and may be mounted nearby.
- Faucet valves cannot be installed on this tub model.

See the Installation & Operation Manual for more details.
 MTI's Customer Service: Monday-Friday 8am-6pm EST
800-783-8827 or service@mtibaths.com

• Before discarding tub packaging, check for accessories that may be packaged inside.
 • All product measurements are ±1/2".
 • Specifications and configurations are subject to change without notice.
 • Measurements herein supersede all others published prior to publication date below.



Cosmopolitan Collection Tubs

For more information on options and accessories go to Cosmopolitan Mineral Composite Tubs Options on mtibaths.com

- Blower & required check valve for airbath must be remote mounted
- Check valve must be installed higher than the rim of the tub.

James
MODEL # 411
59" x 30.75" x 22.5"

| Hydrotherapy | Package Contents | Finish/Color | Part # | MSRP |
|-----------------|---|----------------------|----------------|-----------------|
| Soaker | Soaking bath - no jets. Includes an integrated slotted overflow with white toe-tap drain kit. See Options below for Exterior Color/Finish codes. | Gloss White | S411 | \$6,500 |
| | | Exterior Matte White | S411M | \$7,100 |
| | | Exterior Matte Color | S411V | \$7,550 |
| Air Bath | 20 air jets, heated air blower, keypad, waterproof remote control, integrated slotted overflow with white toe-tap drain kit. See Options below for Exterior Color/Finish codes. | Gloss White | AST411 | \$10,705 |
| | | Exterior Matte White | AST411M | \$11,305 |
| | | Exterior Matte Color | AST411V | \$11,755 |

| Options <i>Must be ordered at time of purchase</i> |
|---|
| Exterior Color/Finish White, matte finish (MWH) Gray, matte finish only (MGY) Black, matte finish only (MBK) |
| Recommended Drain Kits OS&B 500Q Series PVC (included with tub) OS&B Euroclicker-FA-XXX Brass Westbrass D98LTBAA-XX Mountain Plumbing BDWOF-ST |

| Accessories |
|---|
| Drain Kit Accessories Brass Tailpiece (WIOBS) \$85 (not compatible with OS&B 500Q) Quick Drain Kit (WOQ) \$460 |
| Pillows from \$180 |
| Teak Bath Mat (TKMAT3018) \$815 <i>Custom sizes also available. Contact MTI for details and pricing.</i> |



Inside view of tub