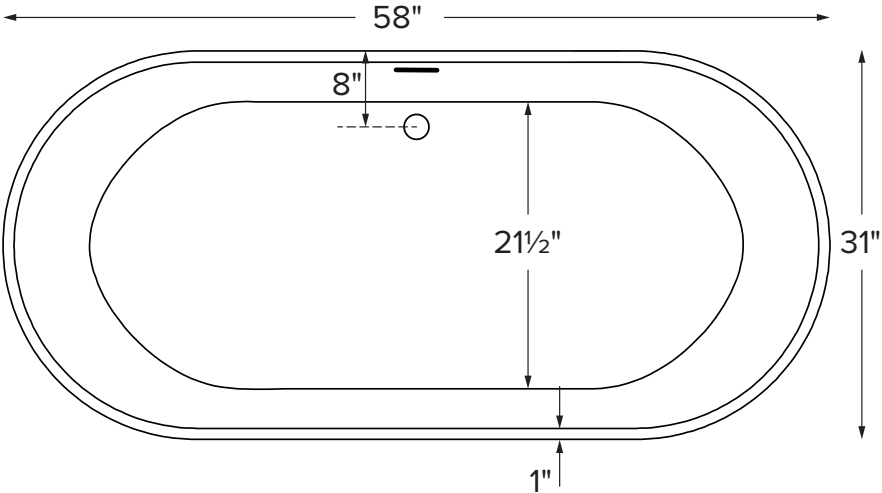


Hamilton

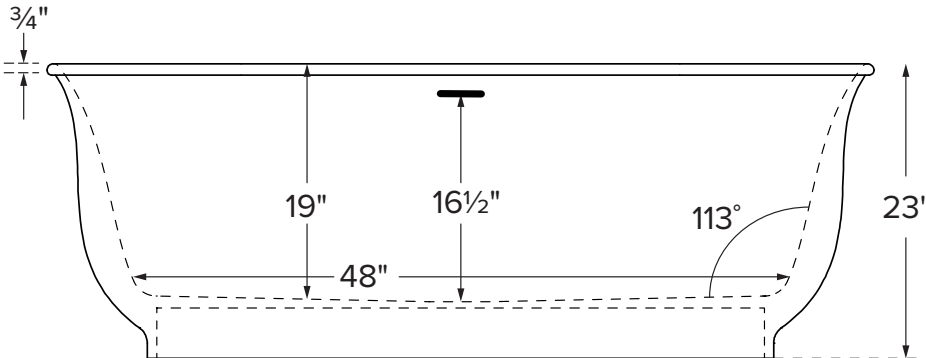
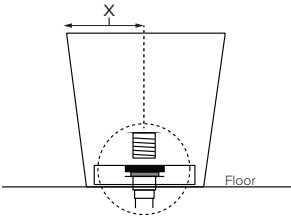


Features an integrated overflow

MODEL 406
58" x 31" x 23"
FREESTANDING 65 gal to overflow
Mineral Composite
143 lbs / 65 kg soaker
Filling this tub to the maximum may require an above average size or dedicated water heater.



Drain Rough-In Measurement



ELECTRICAL COMPONENTS & SPECIFICATIONS		
Required Electrical Service - 110 Volt		
Hydrotherapy Package	Components Included	GFCI
Air Massage	heated blower	1-15 amp
Electrical requirements may change with the addition of optional therapy components. See specific option details or installation information. CSA Certified C/US; B45.5/IAPMO ANSI Z124.1 and ANSI 112.19.7		

- IMPORTANT ORDERING & INSTALLATION INFORMATION**
- Before ordering or installing, please consider future access to equipment.
 - Integrated overflow with toe tap drain included. May also be specified without an overflow (see local codes).
 - Air baths require job site preparations for remote mounting the blower and required check valve. Check valve must be installed higher than the rim of the tub.
 - Waterproof remote control included. Keypad is shipped loose and may be mounted nearby.
 - Faucet valves cannot be installed on this tub model.

See the Installation & Operation Manual for more details.
 MTI's Customer Service: Monday-Friday 8am-6pm EST
 800-783-8827 or service@mtibaths.com

• Options and accessories may be packaged inside the tub crate. Always check packaging before discarding.
 • All product measurements are ±1/2".
 • Specifications and configurations are subject to change without notice.
 • Measurements herein supersede all others published prior to publication date below.



For more information on options and accessories go to Designer Mineral Composite Tubs Options on mtibaths.com

- Blower & required check valve for airbath must be remote mounted
- Check valve must be installed higher than the rim of the tub.

Hamilton
MODEL # 406
58" x 31" x 23"

Hydrotherapy	Package Contents	Part #	MSRP
Soaker	Soaking bath - no jets. Includes an integrated slotted overflow with toe-tap drain kit.	S406	\$6,500
Air Bath	20 air jets, heated air blower, keypad, waterproof remote control, integrated slotted overflow with toe-tap drain kit.	AST406	\$10,705

Options <i>Must be ordered at time of purchase</i>
Standard Colors White, gloss finish only
Quick Ship reduces lead time (QSPRI) \$430 <i>Please call for availability</i>
Drains <i>Must be ordered at time of purchase</i>
Integrated Overflow and Toe-Tap Drain Kit Finishes PVC drain - White (included with tub) Substitute Finish - No Charge Chrome (MCIOC) Brushed Nickel (MCIOBN) Polished Nickel (MCIOPN)
Brass Tailpiece (WIOBS) \$85 in addition to finish charge listed above
Quick Drain Kit (WOQ) \$460

Accessories				
Pillows from \$180				
Teak Bath Mat (TKMAT3018) \$815 <i>Custom sizes also available. Contact MTI for details and pricing.</i>				
Tub Tray SculptureStone® – Available in white only Solid without stemware holder (SSTRAY1) \$340 Solid with Stemware Holder (SSTRAY2) \$450				
Bathroom Table SculptureStone® Packaging / Handling Fee Applies (TABLE) \$825 available in white only +\$430 gloss finish upcharge (SSGLOSSNK)				
Faucet Stand SculptureStone® Standard Packaging / Handling Fee Applies				
<table border="0"> <tr> <td>Small 3-hole capacity 14¼" w x 20½" h Matte (STAND) \$725</td> <td>Large 5-hole capacity 22" w x 21½" h Matte (STANDL) \$855</td> </tr> </table>	Small 3-hole capacity 14¼" w x 20½" h Matte (STAND) \$725	Large 5-hole capacity 22" w x 21½" h Matte (STANDL) \$855		
Small 3-hole capacity 14¼" w x 20½" h Matte (STAND) \$725	Large 5-hole capacity 22" w x 21½" h Matte (STANDL) \$855			
+\$430 gloss finish upcharge (SSGLOSSNK)				
Premium Faucet Stand SculptureStone® Packaging / Handling Fee Applies				
<table border="0"> <tr> <td>15" w x 39" h Matte (SSFSR3915MT) \$2,365 Gloss (SSFSR3915GL) \$2,720</td> <td>10" w x 39" h Matte (SSFSR3910MT) \$2,135 Gloss (SSFSR3910GL) \$2,525</td> </tr> <tr> <td>20" w x 23" h Matte (SSFSR2320MT) \$1,930 Gloss (SSFSR2320GL) \$2,315</td> <td>15" w x 23" h Matte (SSFSR2315MT) \$1,825 Gloss (SSFSR2315GL) \$2,180</td> </tr> </table>	15" w x 39" h Matte (SSFSR3915MT) \$2,365 Gloss (SSFSR3915GL) \$2,720	10" w x 39" h Matte (SSFSR3910MT) \$2,135 Gloss (SSFSR3910GL) \$2,525	20" w x 23" h Matte (SSFSR2320MT) \$1,930 Gloss (SSFSR2320GL) \$2,315	15" w x 23" h Matte (SSFSR2315MT) \$1,825 Gloss (SSFSR2315GL) \$2,180
15" w x 39" h Matte (SSFSR3915MT) \$2,365 Gloss (SSFSR3915GL) \$2,720	10" w x 39" h Matte (SSFSR3910MT) \$2,135 Gloss (SSFSR3910GL) \$2,525			
20" w x 23" h Matte (SSFSR2320MT) \$1,930 Gloss (SSFSR2320GL) \$2,315	15" w x 23" h Matte (SSFSR2315MT) \$1,825 Gloss (SSFSR2315GL) \$2,180			

