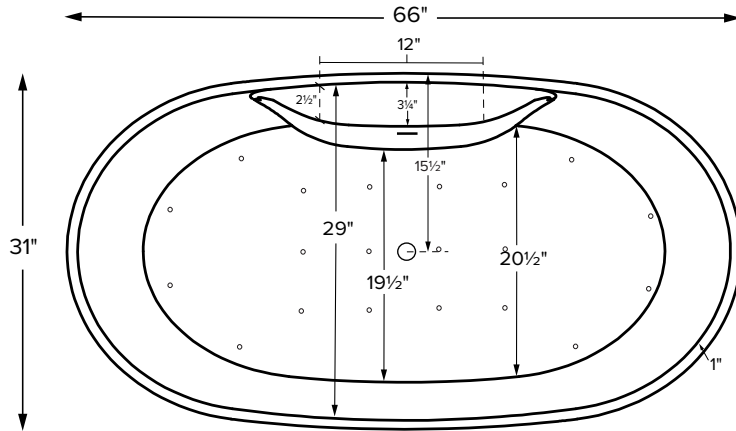


Adel 4



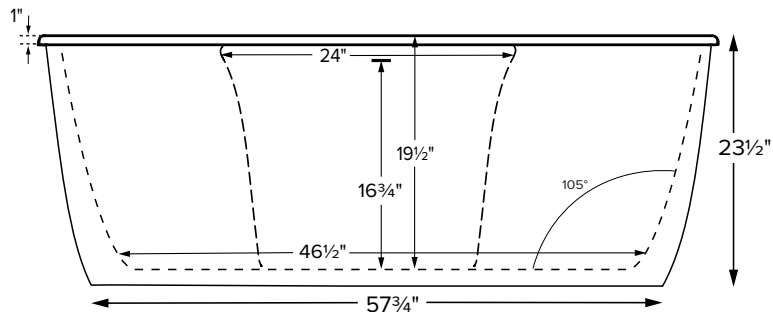
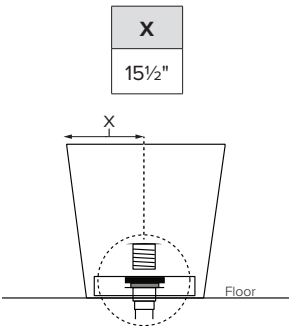
Features a 1" tub ledge with integrated overflow for minimalist design.

MODEL 269	
66" x 31" x 23.5"	
FREESTANDING 69 gal to overflow	
Acrylic CXL™	DoloMatte™
135 lbs / 61 kg	<SOAKER> 152 lbs / 69 kg
Filling this tub to the maximum may require an above average size or dedicated water heater.	



The Adel 4 features a flat deck on the drain side for mounting faucetry. Shown with Air Massage Package.

Drain Rough-In Measurement



Footprint: 57 3/4" x 26"

ELECTRICAL COMPONENTS & SPECIFICATIONS

Hydrotherapy Package	Components Included	110V GFCI
Air Massage	heated blower	1-15 amp
Air Massage Elite	heated blower, chromatherapy	1-15 amp

Electrical requirements may change with the addition of optional therapy components. See specific option details or installation information. CSA Certified C/US; ANSI Z124.1 and ANSI 112.19.7

IMPORTANT ORDERING & INSTALLATION INFORMATION:

- Before ordering or installing, please consider future access to equipment.
- Comes equipped with an access panel on the drain side for installation of valves and toe tap drain.
- Hydrotherapy equipment may ship loose for remote installation depending on tub model. See bullets at the top of the next page for details.
- Radiance placed on floor locations will affect placement of air jets.
- All tubs are in accordance with CSA B45.5/IAPMO Z124 standard and compliant with ASTM C 1028-07 coefficient of friction. Dolomatte meets ANSI A137.1/A326.3 coefficient of friction and AS HB198:2014 pendulum slip resistance testing.

- Before discarding tub crate, check for accessories that may be packaged inside.
- All product measurements are ±1/2".
- Specifications and configurations are subject to change without notice.
- Measurements herein supersede all others published prior to publication date below.

See the Installation & Operation Manual for more details. MTI's Customer Service: Monday-Friday 8am-6pm EST 800-783-8827 or service@mtibaths.com



- Airbath system components ship loose for remote installation on site.
- Secondary remote check valve must be installed higher than the rim of the tub.
- See the Installation & Operation Manual for more details.

**Adel 4**  
MODEL 269  
66" x 31" x 23.5"

Hydrotherapy Packages	Package Contents	Acrylic CXL™		DoloMatte™	
		Part #	MSRP	Part #	MSRP
Soaker	Soaking bath - no jets; includes a pre-leveled foam base and integrated slotted overflow with toe-tap drain kit in chrome.	<b>S269</b>	<b>\$6,270</b>	<b>S269DM</b>	<b>\$7,070</b>
Air Massage	20 air jets, heated air blower, pre-leveled foam base and integrated slotted overflow with toe-tap drain kit in chrome.	<b>AST269</b>	<b>\$9,920</b>	<b>AST269DM</b>	<b>\$10,720</b>
Air Massage Elite	30 air jets, heated air blower, Chromatherapy LED lighting, Spa Mode, pre-leveled foam base and integrated slotted overflow with toe-tap drain kit in chrome.	<b>AE269</b>	<b>\$11,820</b>	<b>AE269DM</b>	<b>\$12,620</b>

RECOMMENDED SENSORY THERAPIES

**Chromatherapy**

(LE) **\$800** underwater lighting  
2 LED lights included

**Audiotherapy** Not Available with Chromatherapy

(STEREOBT) **\$1,390** 2 transducers  
with bluetooth and amplifier  
(BTREMOTE) **\$600** bluetooth remote

(STEREOH202) **\$1,575** 4 transducers  
amplifier not included

**Thermltherapy**

(RAD100) **\$1,595** Radiance®  
2 heated zones included  
(HTISOAK) **\$825**

**Options** *Must be ordered at time of purchase*

**Standard Colors** White (CWH) DoloMatte available in matte white only.  
Biscuit (CBS) Not available for DoloMatte.  
*Please call for availability of special colors.*

**Quick Ship** reduces lead time (QSPRI) **\$430**  
*Please call for availability*

**Textured, Slip-Resistant Bottom** (TXTBTM) **\$105**

**Virtual Spout** high-flow integrated tub filler (FPMJ) **\$450**  
Access panel required

**Accessories**

**Pillows** from **\$180**

**Teak Bath Mat** (TKMAT3018) **\$815**

*Custom sizes also available. Contact MTI for details and pricing.*

**Teak Tub Tray**

Slatted (TK-TRAY1) **\$500** Solid (TK-TRAY2) **\$570**

**Floor-Mounted High-Flow Tub Filler** two designs available

Contemporary

Chrome (FILLC) **\$1,480**

Brushed Nickel (FILLBN) **\$1,710**

Traditional

Chrome (FILLTC) **\$1,505**

Brushed Nickel (FILLTBN) **\$1,745**

**Faucet Stand** SculptureStone® Standard

**Small** 3-hole capacity

**14¼" w x 21¾" h**

Matte (STAND) **\$725**

**Large** 5-hole capacity

**22" w x 21¾" h**

Matte (STANDL) **\$855**

**+\$430 gloss finish upcharge** (SSGLOSSNKG)

**Drains & Overflow Kits** *Must be ordered at time of purchase*

**Integrated Overflow with Toe Tap**

**Slotted Overflow**

PVC drain - Chrome (SLOTIOC) included

**Finish Upcharge**

White (SLOTIOWHU) **\$65**

Brushed Nickel (SLOTIOBNU) **\$65**

Polished Nickel (SLOTIOPNU) **\$105**

**Round Overflow**

Chrome (RIOG) may substitute slotted overflow

**Finish Upcharge**

White (RIOWH) **\$120**

Brushed Nickel (RIOBN) **\$120**

Polished Nickel (RIOPN) **\$120**

**Brass Tailpiece** (WIOBS) **\$85**

*May be ordered separately*

**Quick Connect Drain** - (WOQ) **\$460**

