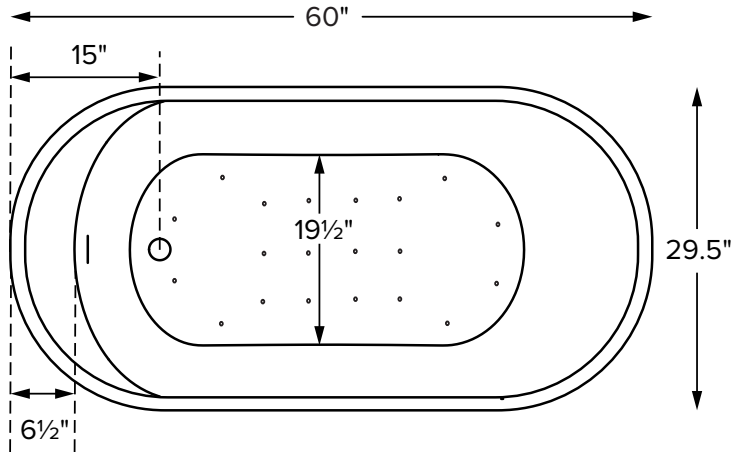


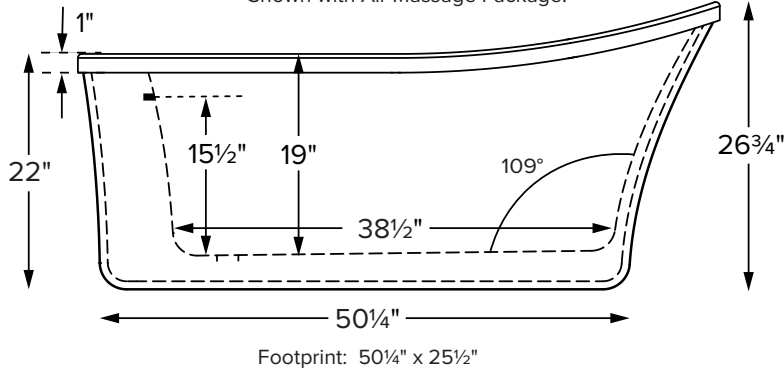
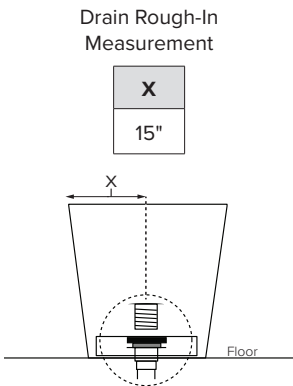
Eryn



MODEL 267	
60" x 29.5" x 22"	
FREESTANDING 53 gal to overflow	
Acrylic CXL™	DoloMatte™
100 lbs / 45 kg	<SOAKER> 113 lbs / 51 kg
Filling this tub to the maximum may require an above average size or dedicated water heater.	



The Eryn features a flat deck on the drain side for mounting faucetry. Shown with Air Massage Package.



ELECTRICAL COMPONENTS & SPECIFICATIONS

Hydrotherapy Package	Components Included	110V GFCI
Air Massage	heated blower	1-15 amp
Air Massage Elite	heated blower, chromatherapy	1-15 amp

Electrical requirements may change with the addition of optional therapy components. See specific option details or installation information. CSA Certified C/US; ANSI Z124.1 and ANSI 112.19.7

IMPORTANT ORDERING & INSTALLATION INFORMATION:

- Before ordering or installing, please consider future access to equipment.
- No access panel. Tub features slotted integrated overflow with toe tap drain.
- Space between tub walls and underneath for installation of valves and toe tap drain.
- Hydrotherapy equipment may ship loose for remote installation depending on tub model. See bullets at the top of the next page for details.
- Radiance placed on floor locations will affect placement of air jets.
- All tubs are in accordance with CSA B45.5/APMO Z124 standard and compliant with ASTM C 1028-07 coefficient of friction. Dolomatte meets ANSI A137.1/A326.3 coefficient of friction and AS HB198:2014 pendulum slip resistance testing.

- Before discarding tub packaging, check for accessories that may be packaged inside.
- All product measurements are ±1/2".
- Specifications and configurations are subject to change without notice.
- Measurements herein supersede all others published prior to publication date below.

See the Installation & Operation Manual for more details. MTI's Customer Service: Monday-Friday 8am-6pm EST **800-783-8827** or service@mtibaths.com



For more information on options and accessories go to
Acrylic CXL / DoloMatte Tub Options on mtibaths.com

Designer Collection Tubs

- Airbath system components ship loose for remote installation on site.
- Secondary remote check valve must be installed higher than the rim of the tub.
- See the Installation & Operation Manual for more details.

Eryn
MODEL 267
60" x 29.5" x 22"

Hydrotherapy Packages	Package Contents	Acrylic CXL™		DoloMatte™	
		Part #	MSRP	Part #	MSRP
Soaker	Soaking bath - no jets; includes a pre-leveled foam base and integrated slotted overflow with toe-tap drain kit in chrome. Overall height at the backrest is 26.75" and step in height is 22".	S267	\$6,270	S267DM	\$7,070
Air Massage	20 air jets, heated air blower, pre-leveled foam base and integrated slotted overflow with toe-tap drain kit in chrome. Overall height at the backrest is 26.75" and step in height is 22".	AST267	\$9,920	AST267DM	\$10,720
Air Massage Elite	30 air jets, heated air blower, Chromatherapy LED lighting, Spa Mode, pre-leveled foam base. and integrated slotted overflow with toe-tap drain kit in chrome. Overall height at the backrest is 26.75" and step in height is 22".	AE267	\$11,820	AE267DM	\$12,620

RECOMMENDED SENSORY THERAPIES

Chromatherapy

(LE) **\$800** underwater lighting
2 LED lights included

Audiotherapy Not Available with Chromatherapy

(STEREOBT) **\$1,390** 2 transducers
with bluetooth and amplifier
(BTREMOTE) **\$600** bluetooth remote

(STEREOH202) **\$1,575** 4 transducers
amplifier not included

Thermotherapy

(RAD100) **\$1,595** Radiance®
2 heated zones included
(HTISOAK) **\$825**

Options *Must be ordered at time of purchase*

Standard Colors White (CWH) DoloMatte available in matte white only.
Biscuit (CBS) Not available for DoloMatte.

Please call for availability of special colors.

Quick Ship reduces lead time (QSPRI) **\$430**

Please call for availability

Textured, Slip-Resistant Bottom (TXTBTM) **\$105**

Virtual Spout high-flow integrated tub filler (FPMJ) **\$450**
Access panel required

Accessories

Pillows from \$180

Teak Bath Mat (TKMAT3018) **\$815**

Custom sizes also available. Contact MTI for details and pricing.

Teak Tub Tray

Slatted (TK-TRAY1) **\$500** Solid (TK-TRAY2) **\$570**

Drains & Overflow Kits *Must be ordered at time of purchase*

Integrated Overflow with Toe Tap

Slotted Overflow

PVC drain - Chrome (SLOTIOC) included

Finish Upcharge

White (SLOTIOWHU) **\$65**

Brushed Nickel (SLOTIOBNU) **\$65**

Polished Nickel (SLOTIOPNU) **\$105**

Brass Tailpiece (WIOBS) \$85

May be ordered separately

Quick Connect Drain - (WOQ) \$460

