

Boutique Collection Tubs

Elena Soaker with Cradle

MODEL #: 245C

245CR 58" x 32" x 27.75"

245CF 58" x 32" x 26.75"

GENERAL SPECIFICATIONS

Material - SculptureStone®

Installation - Freestanding

Soaker Weight - 280 lbs / 127 kg

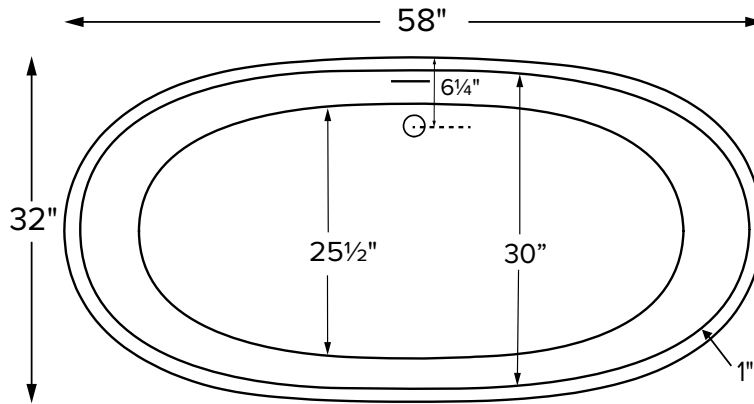
Air Bath Weight - 310 lbs / 141 kg

Maximum Fill - 75 gal to overflow

NOTE: Filling this tub to the maximum may require an above average size or dedicated water heater.



Features an integrated overflow and black powder-coated steel cradle with matching decorative tailpiece for drain connection.



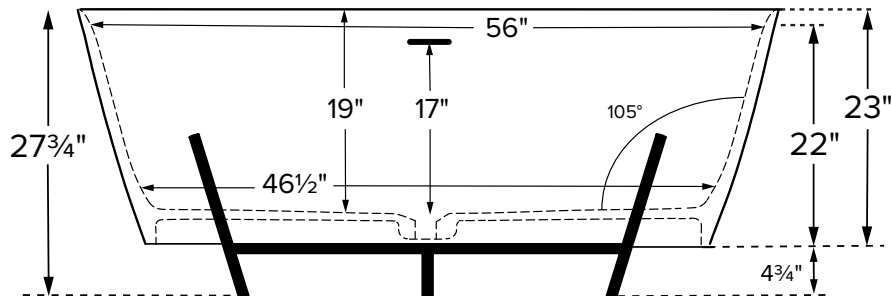
Elena #245 is available with a half-rolled or flat rim.
Tub height will vary based upon features selected.



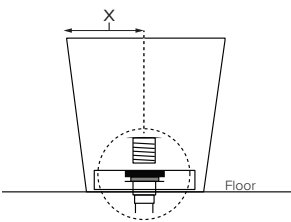
Half-Rolled Rim



Flat Rim
(reduces overall height by 1")



Drain
Rough-In
Measurement



Tailpiece for drain connection comes color-matched to cradle.

ELECTRICAL COMPONENTS & SPECIFICATIONS

Hydrotherapy Package

Cradle tubs available as Soaker only

CSA Certified C/US; ANSI Z124.1

IMPORTANT ORDERING & INSTALLATION INFORMATION

- Includes an integrated overflow with toe tap drain in chrome finish. May be specified without an overflow (see local codes before ordering without an overflow).
- Includes decorative tailpiece color-matched to tub cradle.
- Additional cradle colors available based on the universal RAL color chart; see ralcolor.com. Provide RAL color code on order. Extended lead time may apply.
- Air baths require job site preparation for remote installation of the blower and required check valve. Check valve must be installed higher than the rim of the tub.
- Waterproof remote control included with air bath. Keypad shipped loose may be remote mounted on nearby surface/wall.
- Faucet valves cannot be mounted on this tub model.

See the Installation & Operation Manual for more details.
MTI's Customer Service: Monday-Friday 8am-6pm EST
800-783-8827 or service@mtibaths.com

- Before discarding tub crate, check for accessories that may be packaged inside.
- All product measurements are $\pm 1/2"$.
- Specifications and configurations are subject to change without notice.
- Measurements herein supersede all others published prior to publication date below.

CSA # MTCT-245C

©2021 by MTI Baths, Inc. Modification Rights Reserved

1 of 2



Rev. 08 12 2021

For more information on options and accessories go to SculptureStone® Tubs Options on mtibaths.com

Elena Soaker with Cradle

MODEL #: 245C

245CR 58" x 32" x 27.75"

245CF 58" x 32" x 26.75"

Hydrotherapy	Package Contents	Part #	MSRP	
Soaker	Soaking bath - no jets. Includes integrated slotted overflow with a toe-tap drain kit in chrome finish and black tailpiece with rosette floor escutcheon and black powder-coated tub cradle. Notes: • Overall height with cradle and half-rolled rim is 27¾." • Custom colors available for cradle; tailpiece comes matched to cradle	S245CR (Half-Rolled Rim)	\$9,935	Crate / Handling Fee Applies
		S245CF (Flat Rim)		

See Elena without cradle for air bath option, model #245.

Options <small>Must be ordered at time of purchase</small>
Quick Ship (QSPRI2) \$950 reduces lead time <i>Please call for availability</i>
Standard Color White, matte finish Biscuit Color Upgrade (SSBI) \$285 matte finish <i>Additional material colors available for projects only. Please call MTI.</i>
Hand-Polished Deep Gloss Finish (SSGLOSS) \$965 upcharge For white or biscuit
Exterior Color \$1,630 (SSCOLTG) Gloss Finish (SSCOLTM) Matte Finish Must specify color code: Sapphire Blue (SB), Blue Lagoon (BL), Terracotta (TC), Onyx (OX), Nightfall (NF), Stratus Gray (TG), Stormgray (SG), Moonstone (MS) <i>Adds 20 business days to standard lead time.</i>
Accessories
Teak Bath Mat (TKMAT3018) \$740 Measures 30" x 17.5" x 1" <i>Custom sizes also available. Contact MTI for details.</i>
Floor-Mounted High-Flow Tub Filler Contemporary Chrome (FILLC) \$1,480 Br. Nickel (FILLBN) \$1,710 Traditional Chrome (FILLTC) \$1,505 Br. Nickel (FILLTBN) \$1,745
SculptureStone® Tub Tray Without Stemware Holder (SSTRAY1) \$315 With Stemware Holder (SSTRAY2) \$415 <i>Color and finish will come matched with tub</i>
Teak Tub Tray Slatted (TK-TRAY1) \$455 Solid (TK-TRAY2) \$520 <i>Order with tub for best fit</i>

Boutique Accessories Packaging / Handling Fee Applies
SculptureStone® Bathroom Table (TABLE) \$765 matte finish +\$400 gloss finish upcharge (SSGLOSSSNK) <i>Order with tub for best color match</i>
SculptureStone® Standard Faucet Stand Small - 3-hole capacity 14¼" w x 21¼" h Matte (STAND) \$670 Large - 5-hole capacity 22" w x 21¾" h Matte (STANDL) \$790 +\$400 gloss finish upcharge (SSGLOSSSNK)
SculptureStone® Premium Faucet Stand 15" w x 39" h Matte (SSFSR3915MT) \$2,190 Gloss (SSFSR3915GL) \$2,520 10" w x 39" h Matte (SSFSR3910MT) \$1,975 Gloss (SSFSR3910GL) \$2,340 20" w x 23" h Matte (SSFSR2320MT) \$1,785 Gloss (SSFSR2320GL) \$2,145 15" w x 23" h Matte (SSFSR2315MT) \$1,690 Gloss (SSFSR2315GL) \$2,020

Drains & Overflow Kits Must be ordered at time of purchase

Toe Tap Drain Cover Finishes
PVC drain - Chrome included
+\$30 upcharge Br. Nickel (WIOBN), Pol. Nickel (WIOPN)
+\$65 upcharge Matte Black (WIOMB)
+\$105 upcharge Oil-Rubbed Bronze* (WIOOR)
+\$580 upcharge Special Finish* (WIOSF)
Send finish sample to MTI Baths for best match.

Toe Tap SculptureStone® Drain Cover Finishes
White only
+\$85 upcharge Matte Finish (SSWIOMT)
+\$100 upcharge Gloss Finish (SSWIOGL)
Brass Tailpiece (WIOBS) **\$70** in addition to finish charge listed above
Quick Drain Kit (WOQ) **\$430**

* MTI has selected an oil-rubbed bronze finish that is compatible with Delta and many other manufacturers. To ensure best match, order as a Special Finish and submit a sample.
CSA # MTCT-245C

* Allow 2-4 weeks lead time for Special Finishes.
Send sample for best match.

