



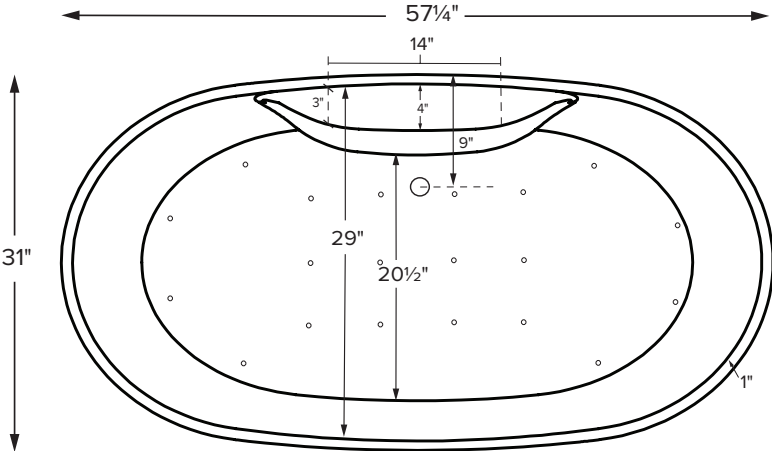
Features an integrated slotted overflow

Adel 2
 MODEL #: 255
 57.25" x 31" x 21.50"

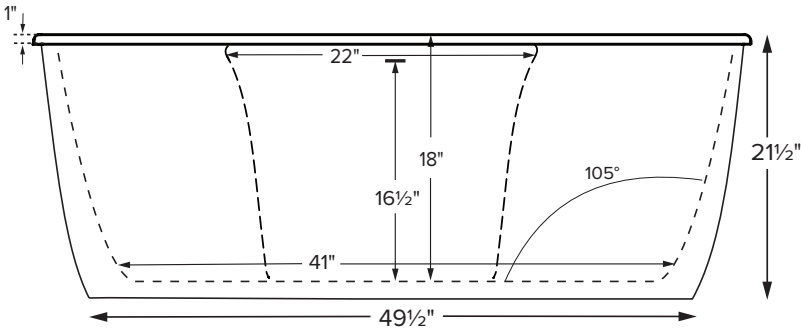
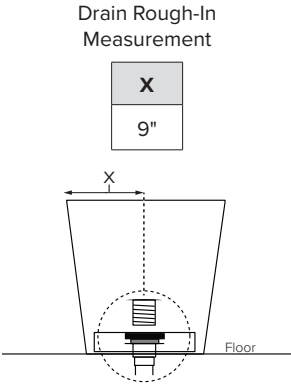
GENERAL SPECIFICATIONS

- Material** - Acrylic
- Installation** - Freestanding
- Soaker Weight** - 123 lbs / 56 kg
- Maximum Fill** - 72 gal to overflow

NOTE: Filling this tub to the maximum may require an above average size or dedicated water heater.



The Adel 2 features a flat deck on the drain side for mounting faucetry.
 Shown with Air Massage Package.



Footprint: 49 1/2" x 26"



ELECTRICAL COMPONENTS & SPECIFICATIONS		
Required Electrical Service - 110 Volt		
Hydrotherapy Package	Components Included	GFCI
Air Massage	heated blower	1-15 amp
Air Massage Elite	heated blower, chromatherapy	1-15 amp

Electrical requirements may change with the addition of optional therapy components.
 See specific option details or installation information.
 CSA Certified C/US; ANSI Z124.1 and ANSI 112.19.7

See the Installation & Operation Manual for more details.
 MTI's Customer Service: Monday-Friday 8am-6pm EST
800-783-8827 or service@mtibaths.com

- IMPORTANT ORDERING & INSTALLATION INFORMATION:**
- Before ordering or installing, please consider future access to equipment.
 - Comes equipped with an access panel on the drain side for installation of waste and overflow.
 - Air baths require job site preparations for remote mounting the blower and required check valve. Check valve must be installed higher than the rim of the tub.
 - Hydrotherapy equipment may ship loose for remote installation depending on tub model. See package content on the following page for details.
 - Radiance placed on floor locations will affect placement of air jets.

- Before discarding tub crate, check for accessories that may be packaged inside.
- All product measurements are ±1/2".
- Specifications and configurations are subject to change without notice.
- Measurements herein supersede all others published prior to publication date below.



Adel 2
MODEL #: 255
57.25" x 31" x 21.50"

Hydrotherapy Packages	Package Contents	Part #	MSRP
Soaker	Soaking bath - no jets; includes a pre-leveled foam base and integrated slotted overflow with toe-tap drain kit in chrome.	S255	\$4,995
Air Massage	20 air jets, heated air blower, pre-leveled foam base and integrated slotted overflow with toe-tap drain kit in chrome. Blower, control boxes, and keypad must be remote located.	AST255	\$8,295
Air Massage Elite	30 air jets, heated air blower, Chromatherapy LED lighting, Spa Mode, pre-leveled foam base. and integrated slotted overflow with toe-tap drain kit in chrome. Blower, control boxes, and Spa Mode keypad must be remote located.	AE255	\$10,220

RECOMMENDED SENSORY THERAPIES

Chromatherapy

(LE) **\$695** underwater lighting
2 LED lights included

Audiotherapy

(STEREOBT) **\$1,200** 2 transducers
with bluetooth and amplifier
(BTREMOTE) **\$490** bluetooth remote

(STEREOH202) **\$1,450** 4 transducers
amplifier not included

Thermaltherapy

(RAD100) **\$1,400** Radiance®
2 heated zones included

Options

Must be ordered at time of purchase.

Standard Colors White (CWH)
Biscuit (CBS)

Please call for availability of special colors.

Quick Ship reduces lead time (QSPRI) **\$380**

Please call for availability

Textured, Slip-Resistant Bottom (TXTBTM) **\$100**

Compliant with ASTM C 1028-07 friction coefficient.

Virtual Spout high-flow integrated tub filler (FPMJ) **\$385**

Accessories

Pillows from **\$145**

Teak Bath Mat (TKMAT3018) **\$650**

Custom sizes also available. Contact MTI for details and pricing.

Teak Tub Tray **\$400**

Slatted (TK-TRAY1), Solid (TK-TRAY2)

Floor-Mounted High-Flow Tub Filler two designs available

Contemporary
Chrome (FILLC) **\$1,410**
Brushed Nickel (FILLBN) **\$1,630**

Traditional
Chrome (FILLTC) **\$1,435**
Brushed Nickel (FILLTBN) **\$1,660**

Faucet Stand SculptureStone® Standard

Small 3-hole capacity
14¼" w x 21¾" h

Matte (STAND) **\$640**

Large 5-hole capacity
22" w x 21¾" h

Matte (STANDL) **\$750**

+\$380 gloss finish upcharge (SSGLOSSSNK)

Drains & Overflow Kits Must be ordered at time of purchase

Integrated Overflow with Toe Tap

Slotted Overflow

PVC drain - Chrome (SLOTIOC) included

Finish Upcharge

White (SLOTIOWHU) **\$60**

Brushed Nickel (SLOTIOBNU) **\$60**

Polished Nickel (SLOTIOPNU) **\$100**

Round Overflow

Chrome (RIOCI) may substitute slotted overflow

Finish Upcharge

White (RIOWH) **\$115**

Brushed Nickel (RIOBN) **\$115**

Polished Nickel (RIOPN) **\$115**

Brass Tailpiece (WIOBS) **\$65**

May be ordered separately

Quick Connect Drain - (WOQ) **\$410**