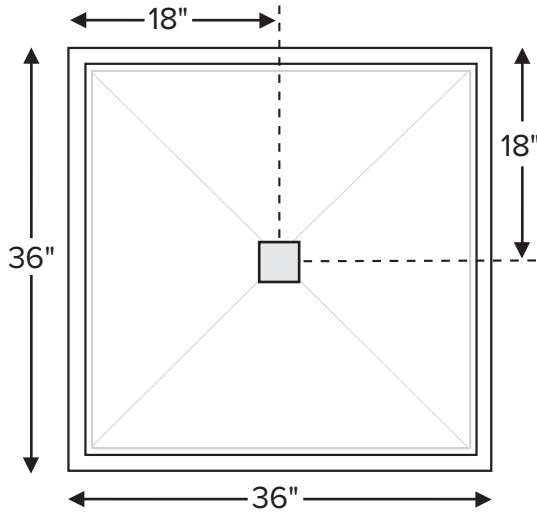
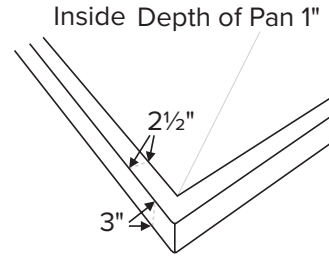


# Designer Collection Shower Bases

## 3636MT



36" x 36" x 3" (exterior bottom of base)	
MULTIPLE, LOW-PROFILE THRESHOLD smooth floor	
Center Drain	
<b>Acrylic CXL™</b>	<b>DoloMatte™</b>
65 lbs / 29 kg	73 lbs / 33 kg



When ordering, please specify tile flange locations.

Model #	Material	Color / Finish	MSRP
SB3636MT	Acrylic CXL™	White (CWH) or Biscuit (CBS) / Gloss	<b>\$1,535</b>
SBDM3636MT	DoloMatte™	White (CWH) / Matte	<b>\$1,935</b>

Must specify color code on order. DoloMatte available in white only.

### Options *Must be ordered at time of purchase*

#### Quick Ship (QSPRI) \$400

Reduces lead time. Please call for availability.

**Radiance® (RAD100) \$1,470** Shower floor heating system. Radiance heating grids are fully integrated within the acrylic shell structure of the shower floor. Requires a 110-volt, 15 amp GFCI and remote installation of control box & keypad.

#### Pre-Levelled Foam Base (PLFSB) \$170

**PVC Drain Kit Finishes** Chrome included with shower base

Brushed Nickel upcharge (SBSQDBN) **\$65**

Special Finishes upcharge\* (SBSQDSF) **\$310**

\*Must send finish sample and allow 3-4 weeks additional lead time.



Factory-installed tile flange is 3/16" thick.

Account for this thickness when planning final opening size.

### Accessories

#### Drain Kit Options

Solid Brass Drain Kit with Stainless Steel Trim (SBSQDSB) **\$195**

#### Teak Shower Seat

Premium

Natural Stainless (TK-SSEAT2416BNS) **\$2,755**

High-Polished Stainless (TK-SSEAT2416BHP) **\$3,150**

Standard

Natural Stainless (TK-SSEAT2215NS) **\$1,020**

High-Polished Stainless (TK-SSEAT2215HP) **\$1,430**

**Teak Bath Mat (TKMAT3018) \$740** Measures 30" x 17.5" x 1"

Custom sizes also available. Contact MTI for details.

**Teak Shower Tray (TK3636MT)**

**Contact MTI for pricing**

### IMPORTANT ORDERING & INSTALLATION INFORMATION

- Factory-installed tile flange on 1, 2 or 3 sides to facilitate installation. Must specify tile flange location(s) on order.
- 3.5" drain opening pre-drilled.
- Dimensions provided represent the length and width of the bottom of the base without tile flange. See Installation Instructions.
- Add proper wet-bedding compound to fully support bottom of shower base. Optional factory installed Pre-Levelled Foam Base negates the need to wet bed when installing on a flat, level subfloor. See installation instructions.
- All bases are in accordance with CSA B45.5/IAPMO Z124 standard and compliant with ASTM C 1028-07 coefficient of friction. Dolomatte bases meet ANSI A137.1/A326.3 coefficient of friction and AS HB198:2014 pendulum slip resistance testing.

- Options and accessories may be packaged inside the tub crate. Always check packaging before discarding.
- All product measurements are ±1/2".
- Specifications and configurations are subject to change without notice.
- Measurements herein supersede all others published prior to publication date below.

See the Installation & Operation Manual for more details.

MTI's Customer Service: Monday-Friday 8am-6pm EST

**800-783-8827** or [service@mtibaths.com](mailto:service@mtibaths.com)

CSA # MTSB-3636MT

HURL # MTSB-DM3636MT

©2021 by MTI Baths, Inc. Modification Rights Reserved



Rev. 10 15 2021