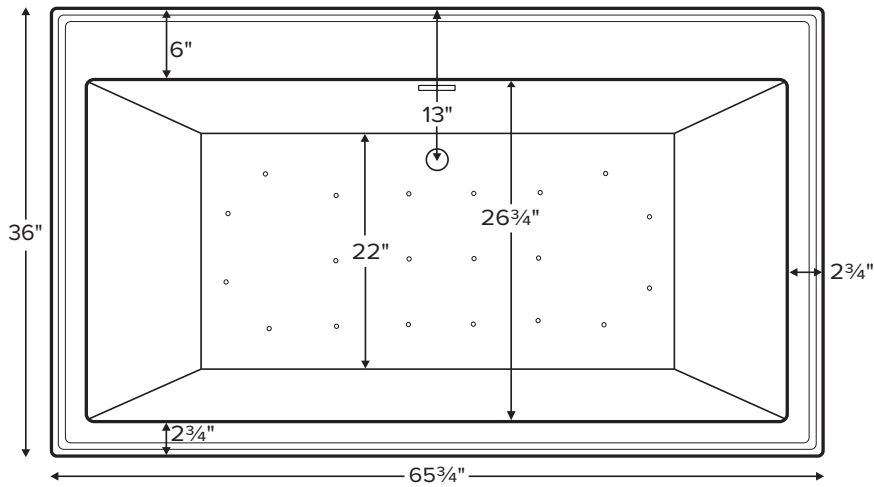


Madelyn 5



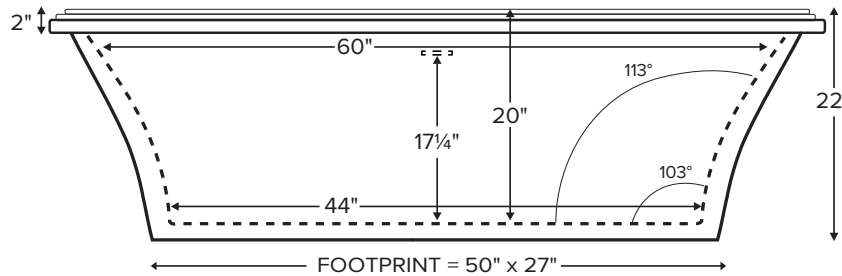
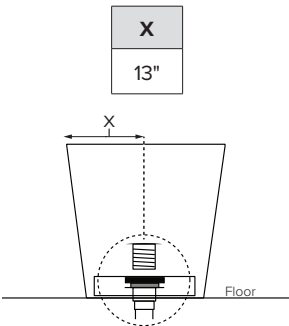
Features an integrated overflow.

MODEL 238	
65.75" x 36" x 22"	
FREESTANDING 93 gal to overflow	
<b>Acrylic CXL™</b>	<b>DoloMatte™</b>
155 lbs / 71 kg	<SOAKER> 174 lbs / 79 kg
Filling this tub to the maximum may require an above average size or dedicated water heater.	



The Madelyn 5 features a flat deck on the drain side for mounting faucetry.  
Shown with Air Massage Package.

Drain Rough-In Measurement



**ELECTRICAL COMPONENTS & SPECIFICATIONS**

Hydrotherapy Package	Components Included	110V GFCI
Air Massage	heated blower	1-15 amp
Air Massage Elite	heated blower, chromatherapy	1-15 amp

Electrical requirements may change with the addition of optional therapy components.  
See specific option details or installation information.  
CSA Certified C/US; ANSI Z124.1 and ANSI 112.19.7

**IMPORTANT ORDERING & INSTALLATION INFORMATION:**

- Before ordering or installing, please consider future access to equipment.
- This tub comes equipped with an access panel to facilitate installation of valves and toe tap drain.
- Tub features slotted integrated overflow with toe tap drain.
- Air baths require job site preparations for remote mounting the blower and required check valve. Check valve must be installed higher than the rim of the tub.
- Hydrotherapy equipment may ship loose for remote installation depending on tub model. See package content on the following page for details.
- Radiance placed on floor locations will affect placement of air jets.
- All tubs are in accordance with CSA B45.5/IAPMO Z124 standard and compliant with ASTM C 1028-07 coefficient of friction. Dolomatte meets ANSI A137.1/A326.3 coefficient of friction and AS HB198:2014 pendulum slip resistance testing.

- Before discarding tub crate, check for accessories that may be packaged inside.
- All product measurements are ±1/2".
- Specifications and configurations are subject to change without notice.
- Measurements herein supersede all others published prior to publication date below.

See the Installation & Operation Manual for more details.  
MTI's Customer Service: Monday-Friday 8am-6pm EST  
**800-783-8827** or [service@mtibaths.com](mailto:service@mtibaths.com)



**Madelyn 5**  
MODEL 238  
65.75" x 36" x 22"

Hydrotherapy Packages	Package Contents	Acrylic CXL™		DoloMatte™	
		Part #	MSRP	Part #	MSRP
Soaker	Soaking bath - no jets; includes a pre-leveled foam base and integrated slotted overflow with toe-tap drain kit in chrome.	<b>S238</b>	<b>\$5,585</b>	<b>S238DM</b>	<b>\$6,385</b>
Air Massage	20 air jets, heated air blower, pre-leveled foam base and integrated slotted overflow with toe-tap drain kit in chrome. Blower and control boxes must be remote located.	<b>AST238</b>	<b>\$8,945</b>	<b>AST238DM</b>	<b>\$9,745</b>
Air Massage Elite	30 air jets, heated air blower, Chromatherapy LED lighting, Spa Mode, pre-leveled foam base. and integrated slotted overflow with toe-tap drain kit in chrome. Blower and control boxes must be remote located.	<b>AE238</b>	<b>\$10,835</b>	<b>AE238DM</b>	<b>\$11,635</b>

**RECOMMENDED SENSORY THERAPIES**

**Chromatherapy**

(LE) **\$730** underwater lighting  
2 LED lights included

**Audiotherapy**

(STEREOBT) **\$1,260** 2 transducers  
with bluetooth and amplifier  
(BTREMOTE) **\$515** bluetooth remote

(STEREOH202) **\$1,525** 4 transducers  
amplifier not included

**Thermltherapy**

(RAD100) **\$1,470** Radiance®  
2 heated zones included

Options
<i>Must be ordered at time of purchase.</i>
<b>Standard Colors</b> White (CWH) DoloMatte available in matte white only. Biscuit (CBS) Not available for DoloMatte. <i>Please call for availability of special colors.</i>
<b>Quick Ship</b> reduces lead time (QSPRI) <b>\$400</b> <i>Please call for availability</i>
<b>Textured, Slip-Resistant Bottom</b> (TXTBTM) <b>\$105</b>
<b>Virtual Spout</b> high-flow integrated tub filler (FPMJ) <b>\$405</b>
<b>Grab Bars</b> from <b>\$315</b> (1 set of 2) Grab bars are factory installed to the left and right of the overflow. Go to Acrylic Tub Options on <a href="http://mtibaths.com">mtibaths.com</a> for details before ordering. <i>Color and finish selections vary.</i>
<b>Decorative Towel Bar</b> Chrome (CHTOWEL) <b>\$545</b> , Brushed Nickel (BNTOWEL) <b>\$545</b>

Accessories	
<b>Pillows from \$150</b>	
<b>Teak Bath Mat</b> (TKMAT3018) <b>\$740</b> <i>Custom sizes also available. Contact MTI for details and pricing.</i>	
<b>Teak Tub Tray</b> Slatted (TK-TRAY1) <b>\$455</b> Solid (TK-TRAY2) <b>\$520</b>	
<b>Floor-Mounted High-Flow Tub Filler</b> two designs available	
Contemporary Chrome (FILLC) <b>\$1,480</b> Brushed Nickel (FILLBN) <b>\$1,710</b>	Traditional Chrome (FILLTC) <b>\$1,505</b> Brushed Nickel (FILLTBN) <b>\$1,745</b>
<b>Faucet Stand</b> SculptureStone® Standard	
<b>Small</b> 3-hole capacity <b>14¼" w x 21¾" h</b> Matte (STAND) <b>\$670</b>	<b>Large</b> 5-hole capacity <b>22" w x 21¾" h</b> Matte (STANDL) <b>\$790</b>
<b>+\$400 gloss finish upcharge</b> (SSGLOSSSNK)	

**Drains & Overflow Kits** *Must be ordered at time of purchase*

**Integrated Overflow with Toe Tap**

**Slotted Overflow**

PVC drain - Chrome (SLOTIOC) included

**Finish Upcharge**

White (SLOTIOWHU) **\$65**

Brushed Nickel (SLOTIOBNU) **\$65**

Polished Nickel (SLOTIOPNU) **\$105**

**Round Overflow**

Chrome (RIOC) may substitute slotted overflow

**Finish Upcharge**

White (RIOWH) **\$120**

Brushed Nickel (RIOBN) **\$120**

Polished Nickel (RIOPN) **\$120**

**Brass Tailpiece** (WIOBS) **\$70**

*May be ordered separately*

**Quick Connect Drain** - (WOQ) **\$430**

