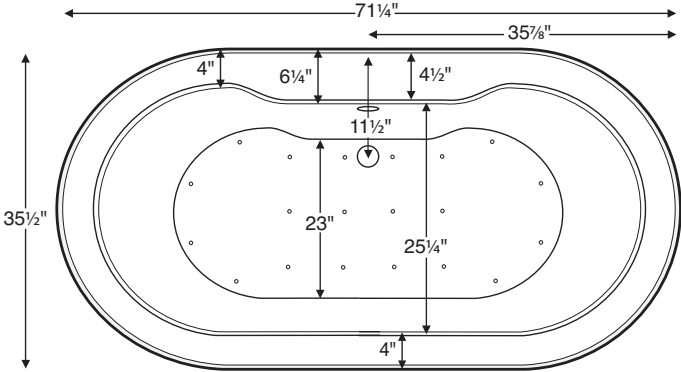


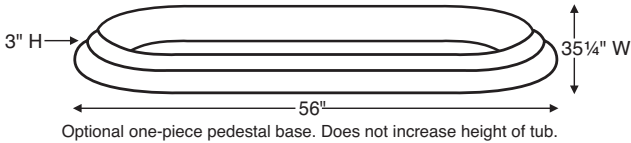
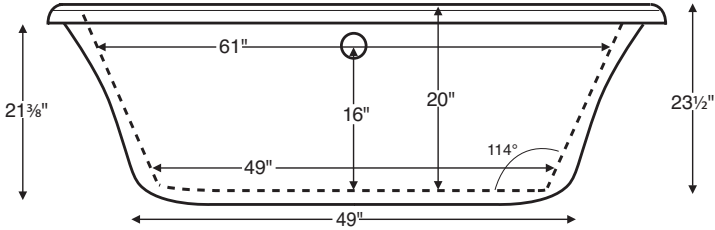
Melinda 6



|  |                          |
|--|--------------------------|
| MODEL 182  |                          |
| 71.25" x 35.5" x 23.5"   |                          |
| FREESTANDING<br>90 gal to overflow   |                          |
| <b>Acrylic CXL™</b>  | <b>DoloMatte™</b>        |
| 121 lbs / 55 kg  | <SOAKER> 136 lbs / 62 kg |
| Filling this tub to the maximum may require an above average size or dedicated water heater. |                          |



The Melinda 6 features a 4.5"-wide flat deck on the drain side for mounting faucetry. Shown with Air Massage Package.

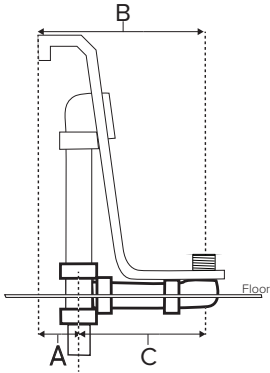


Optional one-piece pedestal base. Does not increase height of tub.



Drain Rough-In Measurements

| A      | B       | C  |
|--------|---------|----|
| 5 1/2" | 11 1/2" | 6" |



ELECTRICAL COMPONENTS & SPECIFICATIONS

| Hydrotherapy Package | Components Included          | 110V GFCI |
|----------------------|------------------------------|-----------|
| Air Massage          | heated blower                | 1-15 amp  |
| Air Massage Elite    | heated blower, chromatherapy | 1-15 amp  |

Electrical requirements may change with the addition of optional therapy components. See specific option details or installation information. CSA Certified C/US; ANSI Z124.1 and ANSI 112.19.7

IMPORTANT ORDERING & INSTALLATION INFORMATION:

- Before ordering or installing, please consider future access to equipment.
- This tub comes equipped with an access panel to facilitate installation of valves and the waste and overflow.
- Optional pedestal ring does not increase the height of the tub.
- Air baths require job site preparations for remote mounting the blower.
- Hydrotherapy equipment may ship loose for remote installation depending on tub model. See package content on the following page for details.
- MTI will eliminate the access panel upon request. Installation will be more difficult.
- Radiance placed on floor locations will affect placement of air jets.
- All tubs are in accordance with CSA B45.5/IAPMO Z124 standard and compliant with ASTM C 1028-07 coefficient of friction. Dolomatte meets ANSI A137.1/A326.3 coefficient of friction and AS HB198:2014 pendulum slip resistance testing.

• Before discarding tub crate, check for accessories that may be packaged inside.  
 • All product measurements are ±1/2".  
 • Specifications and configurations are subject to change without notice.  
 • Measurements herein supersede all others published prior to publication date below.



Melinda 6

MODEL 182

71.25" x 35.5" x 23.5"

| Hydrotherapy Packages | Package Contents  | Acrylic CXL™                 |                 | DoloMatte™                     |                 |
|-----------------------|---|------------------------------|-----------------|--------------------------------|-----------------|
|                       |   | Part #                       | MSRP            | Part #                         | MSRP            |
| Soaker                | Soaking bath - no jets; includes a pre-leveled foam base.   | <b>S182</b>                  | <b>\$5,565</b>  | <b>S182ADM</b>                 | <b>\$6,365</b>  |
|                       |   | With pedestal <b>S182B</b>   | <b>\$6,720</b>  | With pedestal <b>S182BDM</b>   | <b>\$7,620</b>  |
| Air Massage           | 20 air jets, heated air blower, pre-leveled foam base. Blower and control boxes must be remote located.                                       | <b>AST182</b>                | <b>\$8,925</b>  | <b>AST182ADM</b>               | <b>\$9,725</b>  |
|                       |   | With pedestal <b>AST182B</b> | <b>\$10,080</b> | With pedestal <b>AST182BDM</b> | <b>\$10,980</b> |
| Air Massage Elite     | 30 air jets, heated air blower, Chromatherapy LED lighting, Spa Mode, pre-leveled foam base. Blower and control boxes must be remote located. | <b>AE182</b>                 | <b>\$10,815</b> | <b>AE182ADM</b>                | <b>\$11,615</b> |
|                       |   | With pedestal <b>AE182B</b>  | <b>\$11,970</b> | With pedestal <b>AE182BDM</b>  | <b>\$12,870</b> |

RECOMMENDED SENSORY THERAPIES

**Chromatherapy**

(LE) **\$730** underwater lighting  
2 LED lights included

**Audiotherapy**

(STEREOBT) **\$1,260** 2 transducers  
with bluetooth and amplifier  
(BTREMOTE) **\$515** bluetooth remote

(STEREOH202) **\$1,525** 4 transducers  
amplifier not included

**Thermaltherapy**

(RAD100) **\$1,470** Radiance®  
2 heated zones included

**Options**

Must be ordered at time of purchase.

**Standard Colors** White (CWH) DoloMatte available in matte white only.  
Biscuit (CBS) Not available for DoloMatte.

Please call for availability of special colors.

**Quick Ship** reduces lead time (QSPRI) **\$400**

Please call for availability

**Textured, Slip-Resistant Bottom** (TXTBTM) **\$105**

**Virtual Spout** high-flow integrated tub filler (FPMJ) **\$405**

**Grab Bars** from **\$315** (1 set of 2)

Grab bars are factory installed to the left and right of the overflow. Go to Acrylic Tub Options on [mtibaths.com](http://mtibaths.com) for details before ordering.

Color and finish selections vary.

**Decorative Towel Bar**

Chrome (CHTOWEL) **\$545**, Brushed Nickel (BNTOWEL) **\$545**

**Accessories**

**Pillows** from **\$150**

**Teak Bath Mat** (TKMAT3018) **\$740**

Custom sizes also available. Contact MTI for details and pricing.



Melinda 6

MODEL 182

71.25" x 35.5" x 23.5"

**Cable Driven**

Turn the overflow knob clockwise to open the drain, then counterclockwise to close the drain.



- Drain Finishes - PVC Drain Kit**  
 White/Bone/Biscuit (WOCDW) **\$440**  
 Chrome (W OCD) **\$410**  
 Brushed Nickel (WOCDBN) **\$415**  
 Polished Nickel (WOCDPN) **\$540**  
 Oil-Rubbed Bronze<sup>†</sup> (WOCBOR) **\$550**  
 Polished Brass (WOCDBR) **\$520**  
 Special Finishes\* (WOCDSF) **\$1,135**

MTI does not offer a brass body cable drain kit.

**Lift & Turn**

Simple lift & turn to open. Lift, turn & release to close.



- Drain Finishes - PVC Drain Kit**  
 Chrome (WOC) **\$185**  
 White (WOW) **\$245**  
 Brushed Nickel (WOBN) **\$305**

**Toe Tap** Push down on drain cover to open and close.



- Round Overflow - PVC Drain Kit**  
 Chrome (WOTTC) **\$380**  
 Brushed Nickel (WOTTBN) **\$385**  
 Polished Nickel (WOTTPN) **\$385**  
 Special Finishes\* (WOTTSF) **\$1,090**



- Round Overflow - Solid Brass Drain**  
 Chrome (WOTTSBC) **\$810**  
 Brushed Nickel (WOTTSBBN) **\$810**  
 Polished Nickel (WOTTSBPN) **\$810**



- Rectangular Overflow - PVC Drain Kit**  
 Chrome (WOTRC) **\$400**  
 Brushed Nickel (WOTRBN) **\$410**  
 White (WOTRW) **\$440**

Rectangular Overflow kit must be specified when the tub is ordered.

**Slim-Line Overflow with Toe Tap Drain**

Sleek low profile overflow is factory installed • Overflow measures 4.5" x 1"  
 Provides a deeper soak • Not available for commercial applications



**Must be specified when the tub is ordered.**  
**Available for select Designer Collection tubs only.**

**Slim-Line Overflow with Toe-Tap PVC Drain**

- Chrome (SLOT C) **\$500**  
 Brushed Nickel (SLOTBN) **\$530**  
 Polished Nickel (SLOTPN) **\$555**  
 White (SLOTW) **\$420**



**Slim-Line Overflow with Toe-Tap Solid Brass Drain**

- Chrome (SLOTSBC) **\$930**  
 Brushed Nickel (SLOTSBBN) **\$935**  
 Polished Nickel (SLOTSBPN) **\$935**  
 White (SLOTSBW) **\$965**

See individual tub specification sheets for availability.

\* Allow 2-4 weeks lead time for Special Finishes.  
 Send sample for best match.

<sup>†</sup>Oil Rubbed Bronze finishes vary among manufacturers.  
 MTI has selected a finish that is compatible with many available.  
 To ensure best match, order as a Special Finish and submit a sample.

**NOTE:**

MTI does not warrant drain kits or finishes, though drain kits may carry a direct factory warranty from the manufacturer. Proper drain installation is the responsibility of the installer. MTI's tub warranty does not cover drain leakage.

