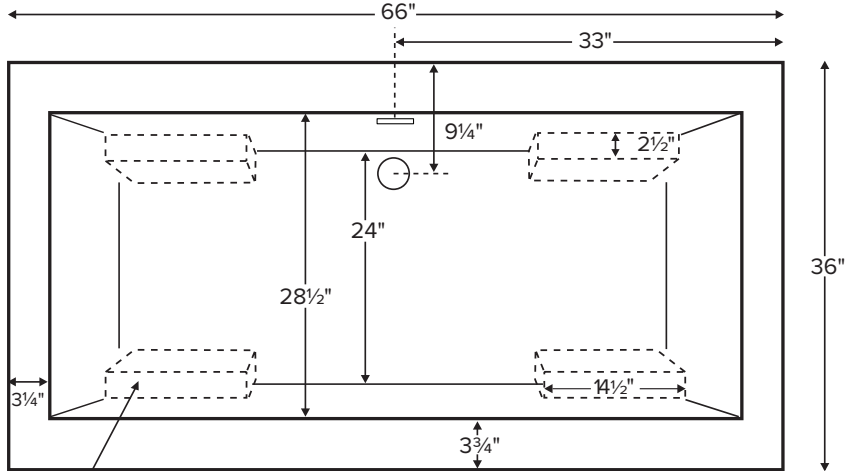


Andrea® 24



Features an integrated overflow

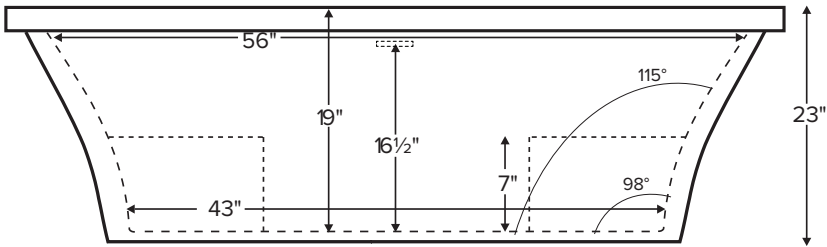
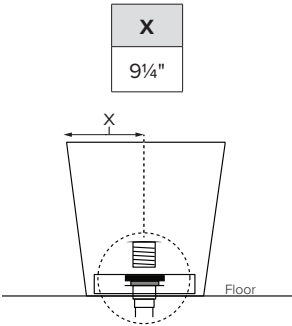
MODEL 210	
66" x 36" x 23"	
FREESTANDING 78 gal to overflow	
Acrylic CXL™	DoloMatte™
140 lbs / 64 kg	<SOAKER> 158 lbs / 72 kg
Filling this tub to the maximum may require an above average size or dedicated water heater.	



Optional Integral Armrests

Requires use of a wall-mounted or freestanding tub filler.
Shown as Soaker.

Drain Rough-In Measurement



ELECTRICAL COMPONENTS & SPECIFICATIONS

Hydrotherapy Package	Components Included	110V GFCI
Air Massage	heated blower	1-15 amp
Air Massage Elite	heated blower, chromatherapy	1-15 amp

Electrical requirements may change with the addition of optional therapy components.
See specific option details or installation information.
CSA Certified C/US; ANSI Z124.1 and ANSI 112.19.7

IMPORTANT ORDERING & INSTALLATION INFORMATION:

- Before ordering or installing, please consider future access to equipment.
- No access panel. Tub features slotted integrated overflow with toe tap drain.
- Air baths require job site preparations for remote mounting the blower and required check valve. Check valve must be installed higher than the rim of the tub.
- Hydrotherapy equipment may ship loose for remote installation depending on tub model. See package content on the following page for details.
- Radiance placed on floor locations will affect placement of air jets.
- Faucet valves cannot be installed on this tub model.
- All tubs are in accordance with CSA B45.5/IAPMO Z124 standard and compliant with ASTM C 1028-07 coefficient of friction. Dolomatte meets ANSI A137.1/A326.3 coefficient of friction and AS HB198:2014 pendulum slip resistance testing.

• Before discarding tub crate, check for accessories that may be packaged inside.
• All product measurements are ±1/2".
• Specifications and configurations are subject to change without notice.
• Measurements herein supersede all others published prior to publication date below.



Andrea® 24

MODEL 210

66" x 36" x 23"

Hydrotherapy Packages	Package Contents	Acrylic CXL™		DoloMatte™	
		Part #	MSRP	Part #	MSRP
Soaker	Soaking bath - no jets; includes a pre-leveled foam base. Integrated slotted overflow with toe-tap drain in chrome.	S210	\$6,020	S210DM	\$6,820
Air Massage	20 air jets, heated air blower, pre-leveled foam base. Blower and control boxes must be remote located. Integrated slotted overflow with toe-tap drain in chrome.	AST210	\$9,380	AST210DM	\$10,180
Air Massage Elite	30 air jets, heated air blower, Chromatherapy LED lighting, Spa Mode, pre-leveled foam base. Blower and control boxes must be remote located. Integrated slotted overflow with toe-tap drain in chrome.	AE210	\$11,270	AE210DM	\$12,070

RECOMMENDED SENSORY THERAPIES

Chromatherapy

(LE) **\$730** underwater lighting
2 LED lights included

Audiotherapy

(STEREOBT) **\$1,260** 2 transducers
with bluetooth and amplifier
(BTREMOTE) **\$515** bluetooth remote

(STEREOH202) **\$1,525** 4 transducers
amplifier not included

Thermaaltherapy

(RAD100) **\$1,470** Radiance®
2 heated zones included

Options

Must be ordered at time of purchase.

Standard Colors White (CWH) DoloMatte available in matte white only.
Biscuit (CBS) Not available for DoloMatte.

Please call for availability of special colors.

Quick Ship reduces lead time (QSPRI) **\$400**

Please call for availability

Textured, Slip-Resistant Bottom (TXTBTM) **\$105**

Integral Armrests - 2 pair (INTARM2) **\$275**

Accessories

Pillows from \$150

Teak Bath Mat (TKMAT3018) **\$740**

Custom sizes also available. Contact MTI for details and pricing.

Teak Tub Tray

Slatted (TK-TRAY1) **\$455** Solid (TK-TRAY2) **\$520**

Teak Seat (TK-REMSEAT) **\$620**

For use with armrests only.

Floor-Mounted High-Flow Tub Filler two designs available

Contemporary

Chrome (FILLC) **\$1,480**

Brushed Nickel (FILLBN) **\$1,710**

Traditional

Chrome (FILLTC) **\$1,505**

Brushed Nickel (FILLTBN) **\$1,745**

Faucet Stand SculptureStone® Standard

Small 3-hole capacity

14¼" w x 21¾" h

Matte (STAND) **\$670**

Large 5-hole capacity

22" w x 21¾" h

Matte (STANDL) **\$790**

+\$400 gloss finish upcharge (SSGLOSSNK)

Drains & Overflow Kits Must be ordered at time of purchase

Integrated Overflow with Toe Tap

Slotted Overflow

PVC drain - Chrome (SLOTIOC) included

Finish Upcharge

White (SLOTIOWHU) **\$65**

Brushed Nickel (SLOTIOBNU) **\$65**

Polished Nickel (SLOTIOPNU) **\$105**

Round Overflow

Chrome (RIOCI) may substitute slotted overflow

Finish Upcharge

White (RIOWH) **\$120**

Brushed Nickel (RIOBN) **\$120**

Polished Nickel (RIOPN) **\$120**

Brass Tailpiece (WIOBS) **\$70**

May be ordered separately

