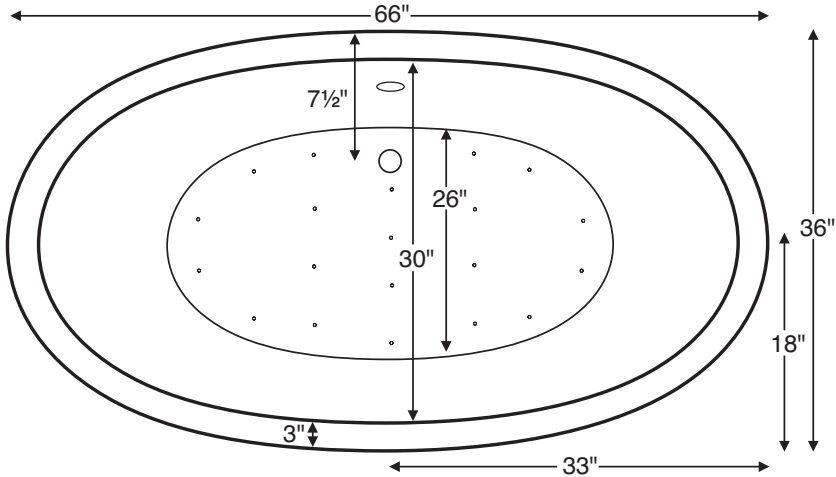


Olivia 1

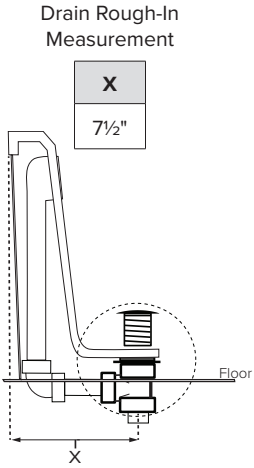
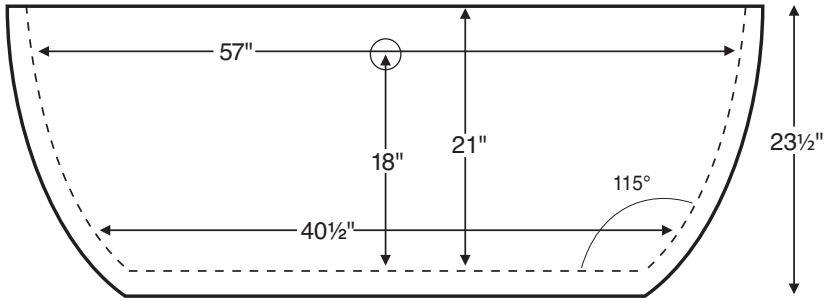


MODEL 147	
66" x 36" x 23.5"	
FREESTANDING 87 gal to overflow	
<b>Acrylic CXL™</b>	<b>DoloMatte™</b>
200 lbs / 91 kg	<SOAKER> 225 lbs / 102 kg
Filling this tub to the maximum may require an above average size or dedicated water heater.	



**IMPORTANT:**  
Must have access to the drain from underneath the tub for installation and servicing. Rough in drain pipe directly under the tub drain.

Requires use of a wall-mounted or freestanding tub filler.  
Shown with Air Massage Package.



**ELECTRICAL COMPONENTS & SPECIFICATIONS**

Hydrotherapy Package	Components Included	110V GFCI
Air Massage	heated blower	1-15 amp
Air Massage Elite	heated blower, chromatherapy	1-15 amp

Electrical requirements may change with the addition of optional therapy components.  
See specific option details or installation information.  
CSA Certified C/US; ANSI Z124.1 and ANSI 112.19.7

**IMPORTANT ORDERING & INSTALLATION INFORMATION:**

- Before ordering or installing, please consider future access to equipment.
- No access panel. Tub features factory installed overflow with toe tap drain.
- Air baths require job site preparations for remote mounting the blower and required check valve. Check valve must be installed higher than the rim of the tub.
- Hydrotherapy equipment may ship loose for remote installation depending on tub model. See package content on the following page for details.
- Radiance placed on floor locations will affect placement of air jets.
- Faucet valves cannot be installed on this tub model.
- All tubs are in accordance with CSA B45.5/IAPMO Z124 standard and compliant with ASTM C 1028-07 coefficient of friction. Dolomatte meets ANSI A137.1/A326.3 coefficient of friction and AS HB198:2014 pendulum slip resistance testing.

• Before discarding tub crate, check for accessories that may be packaged inside.  
• All product measurements are ±1/2".  
• Specifications and configurations are subject to change without notice.  
• Measurements herein supersede all others published prior to publication date below.



Olivia 1  
MODEL 147  
66" x 36" x 23.5"

Hydrotherapy Packages	Package Contents	Acrylic CXL™		DoloMatte™	
		Part #	MSRP	Part #	MSRP
Soaker	Soaking bath - no jets; includes a pre-leveled foam base and factory installed overflow with toe-tap drain kit in chrome.	<b>S147</b>	<b>\$10,315</b>	<b>S147DM</b>	<b>\$11,115</b>
Air Massage	20 air jets, heated air blower, pre-leveled foam base and factory installed overflow with toe-tap drain kit in chrome. Blower and control boxes must be remote located.	<b>AST147</b>	<b>\$13,675</b>	<b>AST147DM</b>	<b>\$14,475</b>
Air Massage Elite	30 air jets, heated air blower, Chromatherapy LED lighting, Spa Mode, pre-leveled foam base and factory-installed overflow with toe-tap drain kit in chrome. Blower, control boxes and Spa Mode keypad must be remote located/mounted.	<b>AE147</b>	<b>\$15,565</b>	<b>AE147DM</b>	<b>\$16,365</b>

RECOMMENDED SENSORY THERAPIES

**Chromatherapy**

(LE) **\$730** underwater lighting  
2 LED lights included

**Audiotherapy**

(STEREOBT) **\$1,260** 2 transducers  
with bluetooth and amplifier  
(BTREMOTE) **\$515** bluetooth remote

(STEREOH202) **\$1,525** 4 transducers  
amplifier not included

**Thermalthrapy**

(RAD100) **\$1,470** Radiance®  
2 heated zones included

**Options**

Must be ordered at time of purchase.

**Standard Colors** White (CWH)

Please call for availability of special colors.

**Quick Ship** reduces lead time (QSPRI) **\$400**

Please call for availability

**Textured, Slip-Resistant Bottom** (TXTBTM) **\$105**

**Accessories**

**Pillows** from **\$150**

**Teak Bath Mat** (TKMAT3018) **\$740**

Custom sizes also available. Contact MTI for details and pricing.

**Teak Tub Tray**

Slatted (TK-TRAY1) **\$455** Solid (TK-TRAY2) **\$520**

**Floor-Mounted High-Flow Tub Filler** two designs available

Contemporary

Chrome (FILLC) **\$1,480**

Brushed Nickel (FILLBN) **\$1,710**

Traditional

Chrome (FILLTC) **\$1,505**

Brushed Nickel (FILLTBN) **\$1,745**

**Faucet Stand** SculptureStone® Standard

**Small** 3-hole capacity

**14¼" w x 21¾" h**

Matte (STAND) **\$670**

**Large** 5-hole capacity

**22" w x 21¾" h**

Matte (STANDL) **\$790**

**+\$400 gloss finish upcharge** (SSGLOSSSNK)

**Drains & Overflow Kits** Must be ordered at time of purchase

**Direct Drain Tee Toe Tap with Round Overflow** – PVC Drain Kit

Overflow is factory installed

Chrome (WOTTC) included

Brushed Nickel (WOTTBNU) substitute free of charge

**Finish Upcharge**

White (WOTTWU) **\$35**

Polished Nickel (WOTTPNU) **\$60**

Oil-Rubbed Bronze+ (WOTTORU) **\$60**

Special Finishes+ (WOTTSFU) **\$615**