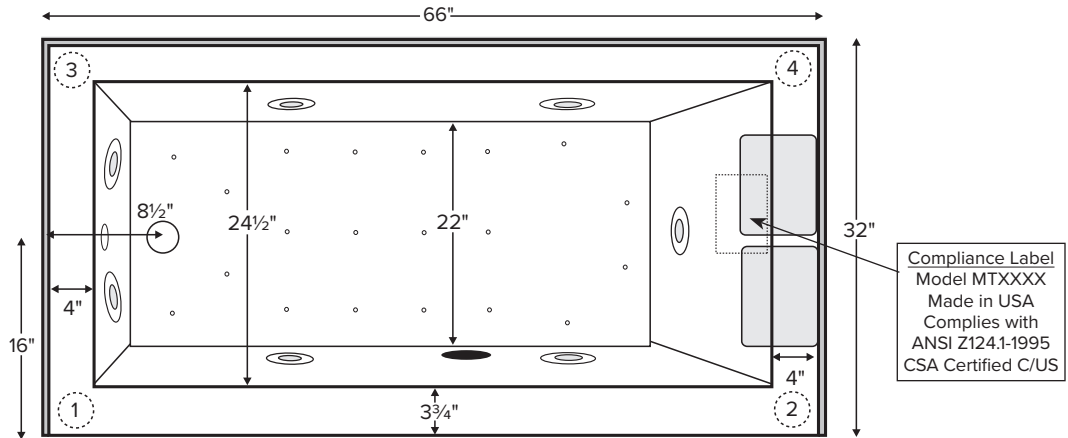


Cameron 3

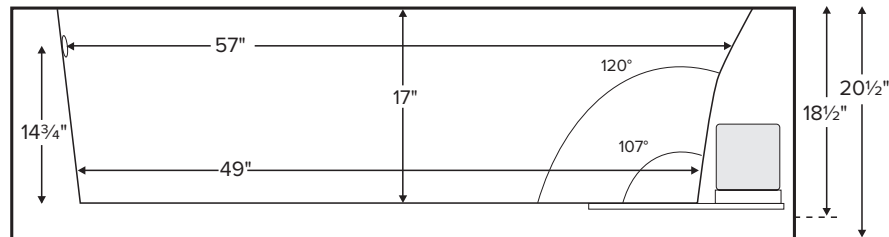


Features integral skirting and tile flange.

MODEL 153		
66" x 32" x 20.5"		
ALCOVE 67 gal to overflow		
<b>Acrylic CXL™</b>		<b>DoloMatte™</b>
115 lbs / 52 kg	<SOAKER>	129 lbs / 59 kg
140 lbs / 64 kg	<PLUMBED>	154 lbs / 70 kg
Filling this tub to the maximum may require an above average size or dedicated water heater.		



Numbered areas on tub deck represent possible locations to install cleaning systems, faucets and other fixtures. Shown with Air Massage and Ultra Whirlpool Package.



**IMPORTANT ORDERING & INSTALLATION INFORMATION**

- Before ordering or installing, please consider future access to equipment.
- Must specify left- or right-hand drain when ordering.
- Non-removable skirt provides no access to equipment. Must have end-access for servicing.
- Radiance placed on airbath floor will affect placement of air jets.
- **Use proper bedding compound to fully level and support the tub.**
- **Tubs equipped with an air system or factory installed pre-leveled foam base are designed to install directly onto a flat level subfloor.**
- System components may extend beyond the perimeter of deck.
- Advise MTI when planning to use a glass enclosure. Relocation of controls may be necessary.
- Suction and control locations may vary.

**ELECTRICAL COMPONENTS & SPECIFICATIONS**

Hydrotherapy Package	Components Included	GFCI / 110V
Standard Whirlpool	2-bhp pump	1-15 amp
Stream Bath	½-bhp, ozone	1-20 amp
Microbubbles	Microbubbles pump	1-15 amp
Ultra Whirlpool	2-bhp pump x 2, inline heater, ozone	2-20 amp
Air Massage	heated blower	1-15 amp
Air Massage Elite	heated blower, chromatherapy	1-15 amp
Air Massage w/ Stream Bath	½-bhp pump, heated blower, ozone	1-20 amp
Air Massage Elite w/ Stream Bath	½-bhp pump, heated blower, chromatherapy, ozone	1-20 amp

Hydrotherapy Package	Components Included	GFCI / 110V
Microbubbles with Air	Microbubbles pump, heated blower	1-20 amp
Microbubbles with Air Elite	Microbubbles pump, heated blower, chromatherapy	2-15 amp
Air with Whirlpool	2-bhp pump, heated blower	2-15 amp
Air with Ultra Whirlpool	2-bhp pump x 2, inline heater, heated blower, ozone	2-20 amp
Air Elite with Whirlpool	2-bhp pump, heated blower, chromatherapy	2-15 amp
Air Elite with Ultra Whirlpool	2-bhp pump x 2, inline heater, heated blower, chromatherapy, ozone	2-20 amp

See the Installation & Operation Manual for more details.  
MTI's Customer Service Monday-Friday 8am-6pm EST  
800-783-8827 or service@mtibaths.com

- Before discarding tub crate, check for accessories that may be packaged inside.
- All product measurements are ±1/2".
- Specifications and configurations are subject to change without notice.
- Measurements herein supersede all others published prior to publication date below.



Cameron 3

MODEL 153

66" x 32" x 20.5"

Hydrotherapy Packages	Package Contents	Acrylic CXL™		DoloMatte™	
		Part #	MSRP	Part #	MSRP
Soaker	Soaking bath - no jets; features integral skirting (no front access), integral tile flange. <b>Note: Overall tub height can be reduced by 2" for soakers only. Must specify on order.</b>	S153	\$3,015	S153DM	\$3,615
Stream Bath	6 side vents, 2 end vents, 1/2 bhp pump, Ozone, integral skirting (no front access), integral tile flange	SM153	\$5,560	SM153DM	\$6,160
Microbubbles	1 microbubbles infusion port and pump; features integral skirting (no front access), integral tile flange	M153	\$6,335	M153DM	\$6,935
Air Massage	20 air jets, heated air blower, Aromatherapy, integral skirting (no front access), integral tile flange, pre-leveled foam base	AST153	\$6,665	AST153DM	\$7,265
Air Massage Elite	30 air jets, heated air blower, Aromatherapy, Chromotherapy LED lighting, Spa Mode, integral skirting (no front access), integral tile flange, pre-leveled foam base	AE153	\$8,565	AE153DM	\$9,165
Stream Bath with Air Massage	6 side vents, 2 end vents, 1/2 bhp pump, Ozone, 20 air jets, heated air blower, Aromatherapy, integral skirting (no front access), integral tile flange, pre-leveled foam base	ASTSM153	\$8,710	ASTSM153DM	\$9,310
Stream Bath with Air Massage Elite	6 side vents, 2 end vents, 1/2 bhp pump, Ozone, 30 air jets, heated air blower, Aromatherapy, Chromotherapy LED lighting, Spa Mode, integral skirting (no front access), integral tile flange, pre-leveled foam base	AESM153	\$10,810	AESM153DM	\$11,410
Microbubbles with Air Massage	1 microbubbles infusion port and pump, 20 air jets, heated air blower, Aromatherapy, integral skirting (no front access), integral tile flange, pre-leveled foam base	ASTM153	\$9,385	ASTM153DM	\$9,985
Microbubbles with Air Massage Elite	1 microbubbles infusion port and pump, 30 air jets, heated air blower, Aromatherapy, Chromotherapy LED lighting, Spa Mode, integral skirting (no front access), integral tile flange, pre-leveled foam base	AEM153	\$11,185	AEM153DM	\$11,785
Standard Whirlpool	5 point-massage jets, 2-bhp pump, integral skirting (no front access), integral tile flange	P153	\$5,380	P153DM	\$5,980
Ultra Whirlpool	7 point-massage jets, 2-bhp pump, inline heater, Ozone, integral skirting (no front access), integral tile flange	P153U	\$7,375	P153UDM	\$7,975
Air Massage with Standard Whirlpool	5 point-massage jets, 2-bhp pump, 20 air jets, heated air blower, Aromatherapy, integral skirting (no front access), integral tile flange, pre-leveled foam base	AW153	\$9,030	AW153DM	\$9,630
Air Massage with Ultra Whirlpool	7 point-massage jets, 2-bhp pump, inline heater, 20 air jets, heated air blower, Aromatherapy, Ozone, integral skirting (no front access), integral tile flange, pre-leveled foam base	AU153	\$11,025	AU153DM	\$11,625
Air Massage Elite with Standard Whirlpool	5 point-massage jets, 2-bhp pump, 30 air jets, heated air blower, Aromatherapy, Chromotherapy LED lighting, Spa Mode, integral skirting (no front access), integral tile flange, pre-leveled foam base	AEAP153	\$10,930	AEAP153DM	\$11,530
Air Massage Elite with Ultra Whirlpool	7 point-massage jets, 2-bhp pump, inline heater, 30 air jets, heated air blower, Aromatherapy, Chromotherapy LED lighting, Spa Mode, Ozone, integral skirting (no front access), integral tile flange, pre-leveled foam base	AEAP153U	\$12,025	AEAP153UDM	\$12,625

RECOMMENDED SENSORY THERAPIES

**Chromotherapy**

(LE) **\$800** underwater lighting  
2 LED lights included

**Audiotherapy**

(STEREOBT) **\$1,390** 2 transducers with bluetooth and amplifier  
(BTREMOTE) **\$600** bluetooth remote

(STEREOH202) **\$1,575** 4 transducers amplifier not included

**Thermaltherapy**

(RAD100) **\$1,595** Radiance®  
2 heated zones included  
(HTISOAK) **\$825**



For more information on options and accessories go to Acrylic Tub Options at mtbaths.com

<b>Options</b> <i>Must be ordered at time of purchase.</i>
<b>Standard Colors</b> White (CWH) Biscuit (CBS) <i>Please call for availability of special colors.</i>
<b>Quick Ship</b> reduces lead time (QSPRI) <b>\$430</b> <i>Please call for availability</i>
<b>Inline Heater</b> maintains water temperature <b>For Soaker or Air Baths (HTISOAK) \$825</b> Includes a recirculating pump <i>Cannot be combined with Microbubbles.</i>
<b>Virtual Spout</b> high-flow integrated tub filler (FPMJ) <b>\$450</b> <i>Must specify stub-out location on order. See page 1 for location options.</i>
<b>Grab Bars</b> from <b>\$330</b> <i>Selections vary. Personalization available.</i>
<b>Textured, Slip-Resistant Bottom</b> (TXTBTM) <b>\$105</b> Compliant with ASTM C 1028-07 friction coefficient.
<b>Accessories</b>
<b>Pillows</b> from <b>\$180</b>
<b>Teak Bath Mat</b> (TKMAT3018) <b>\$815</b> <i>Custom sizes also available. Contact MTI for details and pricing.</i>
<b>Teak Tub Tray</b> Slatted (TK-TRAY1) <b>\$500</b> Solid (TK-TRAY2) <b>\$570</b>

<b>Hydrotherapy Equipment &amp; Cleaning Systems</b> <i>Must be ordered at time of purchase.</i>
<b>Inline Heater</b> maintains water temperature <b>For Whirlpools or Stream Bath (HTI) \$570</b> Uses existing pump <i>Cannot be combined with Microbubbles.</i>
<b>Whirlpool Cleaning Systems</b> <b>Fill-Flush (FFSO) \$590</b> <b>Simple Touch (FFE) \$1,020</b> <i>Must specify stub-out location on order. See page 1 for location options.</i>
<b>Whirlpool Jets</b> Pump upgrade may be advisable for optimal performance when adding jets. <b>Point-Massage Jet</b> Extra Point-Massage Jet (EJ) <b>\$315</b> <b>Micro-Jet</b> from <b>\$360</b> <i>Jet styles and packages vary. Personalization available.</i>
<b>Pump Upgrade - 3-bhp (PUMP3) \$315</b>
<b>Jet Trim Kits</b> <b>For Standard Whirlpool</b> Chrome (TRC) <b>\$270</b> , Brushed Nickel (TRBN) <b>\$725</b> <b>For Ultra Whirlpool</b> Chrome (TRCU) <b>\$370</b> , Brushed Nickel (TRBNU) <b>\$960</b> <i>Other finishes available.</i>
<b>Ozonator (OZONE) \$515</b> <i>Cannot be added to soakers or airbaths without combination hydrotherapy package or HTISOAK.</i>

<b>Drains &amp; Overflow Kits</b>			<i>Toe Tap Rectangular Overflow must be ordered at time of purchase</i>
<b>Cable Driven</b>	<b>Toe Tap</b>	<b>Toe Tap</b>	
<b>Drain Finishes</b> – PVC Drain Kit White/Biscuit (WOCDW) <b>\$440</b> Chrome (W OCD) <b>\$410</b> Brushed Nickel (WOCDBN) <b>\$490</b> Polished Nickel (WOCDPN) <b>\$540</b> Oil-Rubbed Bronze* (WOCBOR) <b>\$550</b> Polished Brass (WOCDBR) <b>\$690</b> Special Finishes* (WOCDSF) <b>\$1,135</b> <i>MTI does not offer a brass body cable drain kit.</i>	<b>Round Overflow</b> – PVC Drain Kit Chrome (WOTTC) <b>\$380</b> Brushed Nickel (WOTTBN) <b>\$385</b> Polished Nickel (WOTTPN) <b>\$385</b> Special Finishes* (WOTTSF) <b>\$1,145</b> <b>Round Overflow</b> – Solid Brass Drain Chrome (WOTTSBC) <b>\$810</b> Brushed Nickel (WOTTSBBN) <b>\$810</b> Polished Nickel (WOTTSBPN) <b>\$810</b>	<b>Rectangular Overflow</b> – PVC Drain Kit Chrome (WOTRC) <b>\$470</b> Brushed Nickel (WOTRBN) <b>\$430</b> White (WOTRW) <b>\$525</b> <b>Lift &amp; Turn</b> <b>Drain Finishes</b> – PVC Drain Kit Chrome (WOC) <b>\$185</b> White (WOW) <b>\$245</b> Brushed Nickel (WOBN) <b>\$305</b>	

<b>Slim-Line Overflow with Toe Tap Drain</b> <i>Must be ordered at time of purchase.</i>		
<ul style="list-style-type: none"> <li>• Low profile overflow is factory installed</li> <li>• Overflow measures 4.5" x 1"</li> <li>• Provides a deeper soak</li> <li>• Not available for commercial applications</li> </ul>	<b>Slim-Line Overflow with Toe Tap Drain</b> PVC Drain Chrome (SLOT) <b>\$500</b> Brushed Nickel (SLOTBN) <b>\$530</b> Polished Nickel (SLOTPN) <b>\$555</b> White (SLOTW) <b>\$430</b>	<b>Slim-Line Overflow with Toe Tap Drain</b> Solid Brass Drain Chrome (SLOTSBC) <b>\$930</b> Brushed Nickel (SLOTSBBN) <b>\$935</b> Polished Nickel (SLOTSBPN) <b>\$935</b> White (SLOTSBW) <b>\$965</b>

\* MTI has selected an oil-rubbed bronze finish that is compatible with Delta and many other manufacturers. To ensure best match, order as a Special Finish and submit a sample.

\* Allow 2-4 weeks lead time for Special Finishes. Send sample for best match.

