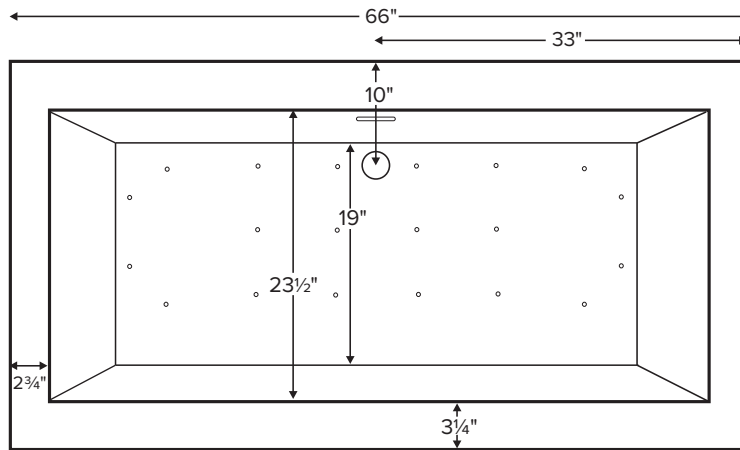




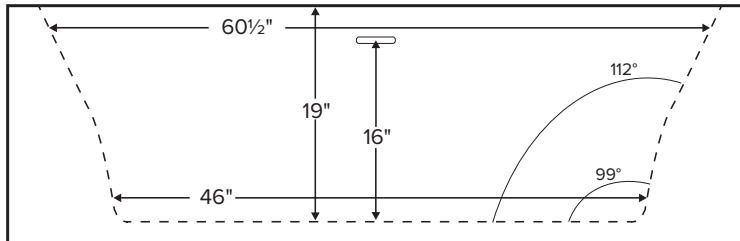
Available as a freestanding model or finished on 1, 2 or 3 sides for various installation applications.

Andrea® 28
with Sculpted Finish®

MODEL 239A	
66" x 30" x 22"	
FREESTANDING or ALCOVE 71 gal to overflow	
Acrylic CXL™	DoloMatte™
135 lbs / 61 kg	<SOAKER> 152 lbs / 69 kg
Filling this tub to the maximum may require an above average size or dedicated water heater.	



The Sculpted Finish process does not allow enough space for mounting fixtures on the tub deck. Features an integrated overflow. Shown as Air Bath



ELECTRICAL COMPONENTS & SPECIFICATIONS		
Hydrotherapy Package	Components Included	GFCI/110V
Microbubbles	Microbubbles pump	1-15 amp
Air Massage	heated blower	1-15 amp
Microbubbles with Air	Microbubbles pump, heated blower	1-20 amp
Air Massage Elite	heated blower, chromatherapy	1-15 amp
Microbubbles with Air Elite	Microbubbles pump, heated blower, chromatherapy	2-15 amp

Electrical requirements may change with the addition of optional therapy components. For more information go to mtibaths.com.

CSA Certified C/US; ANSI Z124.1
CSA Certified C/US; ANSI 112.19.7

IMPORTANT ORDERING & INSTALLATION INFORMATION

- Before ordering or installing, please consider future access to equipment.
- Unless ordering Sculpted Finish on 4 sides, please include a diagram specifying which sides will need to be finished, along with location of optional tile flange(s).
- Integrated overflow with direct connect toe tap drain in chrome included. See manual for details.
- When ordering an air bath, the air blower must be remote mounted.
- Microbubbles system components must be installed on a non-Sculpted Finish side. Components will extend beyond the perimeter of the tub. Call MTI for specific details regarding the desired installation before placing the order.
- Radiance placed on floor locations will affect placement of air jets.
- Hydrotherapy equipment may ship loose for remote installation. See package content on the following page for details. Specifications and configurations are subject to change without notice.

See the Installation & Operation Manual for more details.
MTI's Customer Service: Monday-Friday 8am-6pm EST
800-783-8827 or service@mtibaths.com

- Options and accessories may be packaged inside the tub crate. Always check packaging before discarding.
- All product measurements are ±1/2".
- Specifications and configurations are subject to change without notice.
- Measurements herein supersede all others published prior to publication date below.

CSA # MTDS-239A
CSA # MTDS-239D

©2022 by MTI Baths, Inc. Modification Rights Reserved



Andrea® 28
with Sculpted Finish®
MODEL 239A
66" x 30" x 22"

Hydrotherapy Packages	Package Contents	Sculpted Finish Sides	Acrylic CXL™		DoloMatte™	
			Part #	MSRP	Part #	MSRP
Soaker	Soaking bath - no jets, pre-leveled foam base, integrated slotted overflow with toe tap drain	4-sides sculpted	S239A4	\$9,485	S239D4	\$10,235
		3-sides sculpted	S239A3	\$8,770	S239D3	\$9,520
		2-sides sculpted	S239A2	\$7,065	S239D2	\$7,815
		1-side sculpted	S239A1	\$6,645	S239D1	\$7,395
Microbubbles	1 infusion port, microbubbles pump, pre-leveled foam base, integrated slotted overflow with toe tap drain	4-sides sculpted	n/a	n/a	n/a	n/a
		3-sides sculpted	M239A3	\$12,090	M239D3	\$12,840
		2-sides sculpted	M239A2	\$10,385	M239D2	\$11,135
		1-side sculpted	M239A1	\$9,965	M239D1	\$10,715
Air Massage	20 air jets, heated air blower, pre-leveled foam base, integrated slotted overflow with toe tap drain	4-sides sculpted	AST239A4	\$13,135	AST239D4	\$13,885
		3-sides sculpted	AST239A3	\$12,420	AST239D3	\$13,170
		2-sides sculpted	AST239A2	\$10,715	AST239D2	\$11,465
		1-side sculpted	AST239A1	\$10,295	AST239D1	\$11,045
Air Massage Elite	30 air jets, heated air blower, Chromatherapy LED lighting, Spa Mode, pre-leveled foam base, integrated slotted overflow with toe tap drain	4-sides sculpted	AE239A4	\$15,035	AE239D4	\$15,785
		3-sides sculpted	AE239A3	\$14,320	AE239D3	\$15,070
		2-sides sculpted	AE239A2	\$12,615	AE239D2	\$13,365
		1-side sculpted	AE239A1	\$12,195	AE239D1	\$12,945
Microbubbles with Air Massage	1 infusion port, microbubbles pump, 20 air jets, heated air blower, pre-leveled foam base, integrated slotted overflow with toe tap drain	4-sides sculpted	n/a	n/a	n/a	n/a
		3-sides sculpted	ASTM239A3	\$15,140	ASTM239D3	\$15,890
		2-sides sculpted	ASTM239A2	\$13,435	ASTM239D2	\$14,185
		1-side sculpted	ASTM239A1	\$13,015	ASTM239D1	\$13,765
Microbubbles with Air Massage Elite	1 infusion port, microbubbles pump, 30 air jets, heated air blower, Chromatherapy LED lighting, Spa Mode, pre-leveled foam base, integrated slotted overflow with toe tap drain	4-sides sculpted	n/a	n/a	n/a	n/a
		3-sides sculpted	AEM239A3	\$16,940	AEM239D3	\$17,690
		2-sides sculpted	AEM239A2	\$15,235	AEM239D2	\$15,985
		1-side sculpted	AEM239A1	\$14,815	AEM239D1	\$15,565

Microbubbles system components must be installed on a non-Sculpted Finish® side.

Components will extend beyond the perimeter of the tub. Call MTI for specific details regarding the desired installation before placing order.

For more customized applications, additional hydrotherapies may possibly be integrated in Sculpted Finish® tubs, depending on the types of therapy and the installation application. Visit mtibaths.com or call MTI at 800.783.8827.

RECOMMENDED SENSORY THERAPIES

Chromatherapy

(LE) **\$800** underwater lighting
2 LED lights included

Audiotherapy

(STEREOBT) **\$1,390** 2 transducers with bluetooth and amplifier
(BTREMOTE) **\$600** bluetooth remote

(STEREOH202) **\$1,575** 4 transducers
amplifier not included

Thermaltherapy

(RAD100) **\$1,595** Radiance®
2 heated zones included



For more information on options and accessories go to Acrylic Tub Options on mtibaths.com

Andrea 28 with Sculpted Finish®
MODEL 239A

Options <i>Must be ordered at time of purchase.</i>	
Standard Color White, gloss finish only (CWH)	
Textured, Slip-Resistant Bottom (TXTBTM) \$105 Compliant with ASTM C 1028-07 friction coefficient.	
Ozonator (OZONE) \$515	
Installation Options <i>Must be ordered at time of purchase.</i>	
Tile Flange	
Factory Installed rigid ABS	IMPORTANT: <i>Must specify flange location(s) on order of Factory-Installed Flange.</i>
1 Side (TFK1) \$175	
2 Sides (TFK2) \$185	
3 Sides (TFK3) \$200	
Field Install Kit (TFKNI) \$185	
Includes rigid ABS & adhesive	

Accessories	
Pillows from \$180	
Teak Bath Mat (TKMAT3018) \$815 <i>Custom sizes also available. Contact MTI for details and pricing.</i>	
Teak Tub Tray	
Slatted (TK-TRAY1) \$500	Solid (TK-TRAY2) \$570
Floor-Mounted High-Flow Tub Filler two designs available	
Contemporary	Traditional
Chrome (FILLC) \$1,480	Chrome (FILLTC) \$1,505
Brushed Nickel (FILLBN) \$1,710	Brushed Nickel (FILLTBN) \$1,745

Drains & Overflow Kits *Must be ordered at time of purchase*

Integrated Toe Tap	
Slotted Overflow	
PVC drain - Chrome (SLOTIOC) included	
Finish Upcharge	
White (SLOTIOWHU) \$65	
Brushed Nickel (SLOTIOBNU) \$65	
Polished Nickel (SLOTIOPNU) \$105	

Round Overflow	
Chrome (RIOBC) may substitute slotted overflow	
Finish Upcharge	
White (RIOWH) \$120	
Brushed Nickel (RIOBN) \$120	
Polished Nickel (RIOPN) \$120	