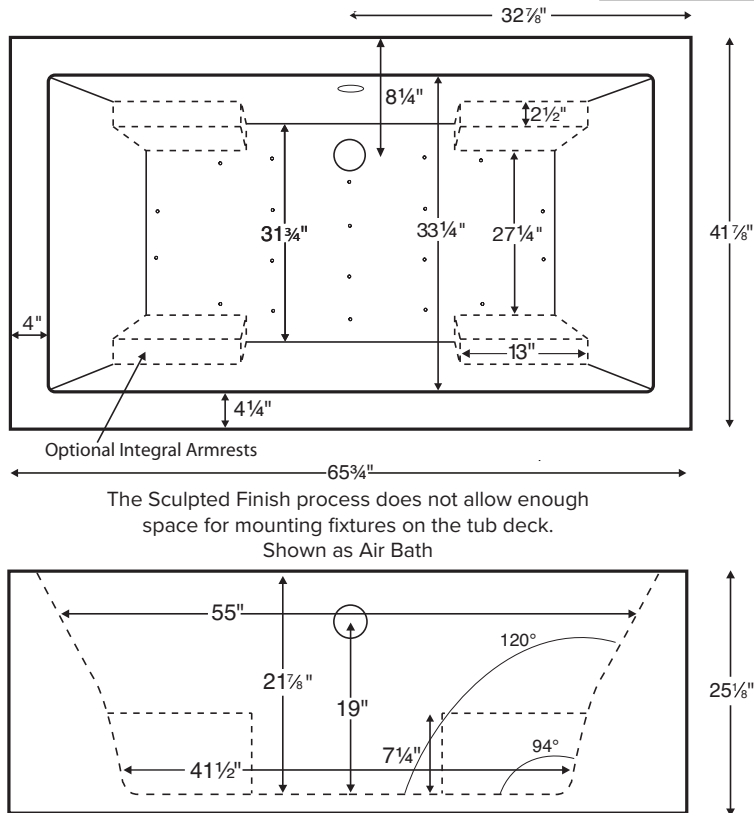




Available as a freestanding model or finished on 1, 2 or 3 sides for various installation applications.

Andrea® 13
with Sculpted Finish®

MODEL 103A	
65.75" x 41.875" x 25"	
FREESTANDING or ALCOVE 114 gal to overflow	
Acrylic CXL™	DoloMatte™
160 lbs / 73 kg	<SOAKER> 180 lbs / 82 kg
Filling this tub to the maximum may require an above average size or dedicated water heater.	



ELECTRICAL COMPONENTS & SPECIFICATIONS		
Hydrotherapy Package	Components Included	GFCI/110V
Microbubbles	Microbubbles pump	1-15 amp
Air Massage	heated blower	1-15 amp
Microbubbles with Air	Microbubbles pump, heated blower	1-20 amp
Air Massage Elite	heated blower, chromatherapy	1-15 amp
Microbubbles with Air Elite	Microbubbles pump, heated blower, chromatherapy	2-15 amp

Electrical requirements may change with the addition of optional therapy components. For more information go to mtibaths.com.

CSA Certified C/US; ANSI Z124.1
CSA Certified C/US; ANSI 112.19.7

IMPORTANT ORDERING & INSTALLATION INFORMATION

- Before ordering or installing, please consider future access to equipment.
- Unless ordering Sculpted Finish on 4 sides, please include a diagram specifying which sides will need to be finished, along with location of optional tile flange(s).
- Overflow is factory installed for provided toe tap drain.
- When ordering an air bath, the air blower must be remote mounted.
- Microbubbles system components must be installed on a non-Sculpted Finish side. Components will extend beyond the perimeter of the tub. Call MTI for specific details regarding the desired installation before placing the order.
- Radiance placed on floor locations will affect placement of air jets.
- Hydrotherapy equipment may ship loose for remote installation. See package content on the following page for details.
- Faucet valves cannot be installed on this tub model.

See the Installation & Operation Manual for more details.
MTI's Customer Service: Monday-Friday 8am-6pm EST
800-783-8827 or service@mtibaths.com

- Options and accessories may be packaged inside the tub crate. Always check packaging before discarding.
- All product measurements are ±1/2".
- Specifications and configurations are subject to change without notice.
- Measurements herein supersede all others published prior to publication date below.

CSA # MTDS-103A
CSA # MTDS-103D

©2022 by MTI Baths, Inc. Modification Rights Reserved



Andrea® 13
with Sculpted Finish®
MODEL 103A
65.75" x 41.875" x 25"

Hydrotherapy Packages	Package Contents	Sculpted Finish Sides	Acrylic CXL™		DoloMatte™	
			Part #	MSRP	Part #	MSRP
Soaker	Soaking bath - no jets, pre-leveled foam base, factory installed rectangular overflow with toe tap drain	4-sides sculpted	S103A4	\$9,520	S103D4	\$10,270
		3-sides sculpted	S103A3	\$8,805	S103D3	\$9,555
		2-sides sculpted	S103A2	\$7,100	S103D2	\$7,850
		1-side sculpted	S103A1	\$6,680	S103D1	\$7,430
Microbubbles	1 infusion port, microbubbles pump, pre-leveled foam base, factory installed rectangular overflow with toe tap drain	4-sides sculpted	n/a	n/a	n/a	n/a
		3-sides sculpted	M103A3	\$12,125	M103D3	\$12,875
		2-sides sculpted	M103A2	\$10,420	M103D2	\$11,170
		1-side sculpted	M103A1	\$10,000	M103D1	\$10,750
Air Massage	20 air jets, heated air blower, pre-leveled foam base, factory installed rectangular overflow with toe tap drain	4-sides sculpted	AST103A4	\$13,170	AST103D4	\$13,920
		3-sides sculpted	AST103A3	\$12,455	AST103D3	\$13,205
		2-sides sculpted	AST103A2	\$10,750	AST103D2	\$11,500
		1-side sculpted	AST103A1	\$10,330	AST103D1	\$11,080
Air Massage Elite	30 air jets, heated air blower, Chromatherapy LED lighting, Spa Mode, pre-leveled foam base, factory installed rectangular overflow with toe tap drain	4-sides sculpted	AE103A4	\$15,070	AE103D4	\$15,820
		3-sides sculpted	AE103A3	\$14,355	AE103D3	\$15,105
		2-sides sculpted	AE103A2	\$12,650	AE103D2	\$13,400
		1-side sculpted	AE103A1	\$12,230	AE103D1	\$12,980
Microbubbles with Air Massage	1 infusion port, microbubbles pump, 20 air jets, heated air blower, pre-leveled foam base, factory installed rectangular overflow with toe tap drain	4-sides sculpted	n/a	n/a	n/a	n/a
		3-sides sculpted	ASTM103A3	\$15,175	ASTM103D3	\$15,925
		2-sides sculpted	ASTM103A2	\$13,470	ASTM103D2	\$14,220
		1-side sculpted	ASTM103A1	\$13,050	ASTM103D1	\$13,800
Microbubbles with Air Massage Elite	1 infusion port, microbubbles pump, 30 air jets, heated air blower, Chromatherapy LED lighting, Spa Mode, pre-leveled foam base, factory installed rectangular overflow with toe tap drain	4-sides sculpted	n/a	n/a	n/a	n/a
		3-sides sculpted	AEM103A3	\$16,975	AEM103D3	\$17,725
		2-sides sculpted	AEM103A2	\$15,270	AEM103D2	\$16,020
		1-side sculpted	AEM103A1	\$14,850	AEM103D1	\$15,600

Microbubbles system components must be installed on a non-Sculpted Finish® side.

Components will extend beyond the perimeter of the tub. Call MTI for specific details regarding the desired installation before placing order.

For more customized applications, additional hydrotherapies may possibly be integrated in Sculpted Finish® tubs, depending on the types of therapy and the installation application. Visit mtibaths.com or call MTI at 800.783.8827.

RECOMMENDED SENSORY THERAPIES

Chromatherapy

(LE) **\$800** underwater lighting
2 LED lights included

Audiotherapy

(STEREOBT) **\$1,390** 2 transducers with bluetooth and amplifier
(BTREMOTE) **\$600** bluetooth remote

(STEREOH202) **\$1,575** 4 transducers
amplifier not included

Thermaltherapy

(RAD100) **\$1,595** Radiance®
2 heated zones included



For more information on options and accessories go to Acrylic Tub Options on mtibaths.com

Andrea® 13 with Sculpted Finish®
MODEL 103A

Options <i>Must be ordered at time of purchase.</i>	
Standard Color White, gloss finish only (CWH)	
Textured, Slip-Resistant Bottom (TXTBTM) \$105 Compliant with ASTM C 1028-07 friction coefficient.	
Ozonator (OZONE) \$515	
Integral Armrests - 1 pair (INTARM) \$140 end drain tub models Integral Armrests - 2 pair (INTARM2) \$295 center drain tub models	
Installation Options <i>Must be ordered at time of purchase.</i>	
Tile Flange	
Factory Installed rigid ABS	IMPORTANT: <i>Must specify flange location(s) on order of Factory-Installed Flange.</i>
1 Side (TFK1) \$175	
2 Sides (TFK2) \$185	
3 Sides (TFK3) \$200	
Field Install Kit (TFKNI) \$185	
Includes rigid ABS & adhesive	

Accessories	
Pillows from \$180	
Teak Bath Mat (TKMAT3018) \$815 <i>Custom sizes also available. Contact MTI for details and pricing.</i>	
Teak Tub Tray	
Slatted (TK-TRAY1) \$500	Solid (TK-TRAY2) \$570
Teak Seat (TK-REMSEAT) \$660 For use with armrests only.	
Floor-Mounted High-Flow Tub Filler two designs available	
Contemporary	Traditional
Chrome (FILLC) \$1,480	Chrome (FILLTC) \$1,505
Brushed Nickel (FILLBN) \$1,710	Brushed Nickel (FILLTBN) \$1,745

Drains & Overflow Kits *Must be ordered at time of purchase*

Toe Tap with Rectangular Overflow – PVC Drain Kit
Overflow is factory installed
Chrome (WOTRC) included
Brushed Nickel (WOTRBN) substitute free of charge
White (WOTRWU) **\$55** finish upcharge

Brass Body for Rectangular Overflow with Toe Tap
(WOTRSBU) **\$480** upcharge

Slim-Line Overflow with Toe Tap Drain *Must be ordered at time of purchase*

- May upgrade rectangular overflow to Slim-Line Overflow
- Low profile overflow is factory installed
- Overflow measures 4.5" x 1"
- Provides a deeper soak
- Not available for commercial applications

Slim-Line Overflow with Toe Tap Drain
PVC Drain
Chrome (SLOT) **\$500**
Brushed Nickel (SLOTBN) **\$530**
Polished Nickel (SLOTBN) **\$555**
White (SLOTW) **\$430**

Slim-Line Overflow with Toe Tap Drain
Solid Brass Drain
Chrome (SLOTSBC) **\$930**
Brushed Nickel (SLOTSBBN) **\$935**
Polished Nickel (SLOTSBPN) **\$935**
White (SLOTSBW) **\$965**



Rectangular overflow included



Optional Slim-Line overflow

