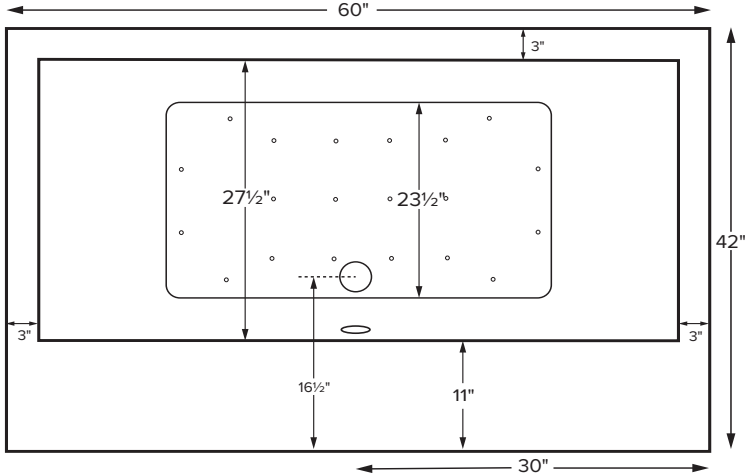




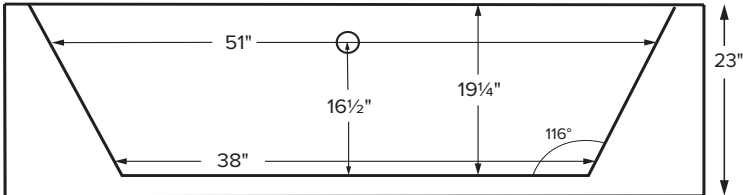
Available as a freestanding model or finished on 1, 2 or 3 sides for various installation applications.

Metro 2
with Sculpted Finish®

MODEL 84A	
60" x 42" x 23"	
FREESTANDING or ALCOVE 74 gal to overflow	
Acrylic CXL™	DoloMatte™
150 lbs / 68 kg	<SOAKER> 169 lbs / 77 kg
Filling this tub to the maximum may require an above average size or dedicated water heater.	



Features a flat 11" deck surface on the drain side for mounting faucetry. Drain kit sold separately. Shown as Air Bath



ELECTRICAL COMPONENTS & SPECIFICATIONS		
Hydrotherapy Package	Components Included	GFCI/110V
Microbubbles	Microbubbles pump	1-15 amp
Air Massage	heated blower	1-15 amp
Microbubbles with Air	Microbubbles pump, heated blower	1-20 amp
Air Massage Elite	heated blower, chromatherapy	1-15 amp
Microbubbles with Air Elite	Microbubbles pump, heated blower, chromatherapy	2-15 amp

Electrical requirements may change with the addition of optional therapy components. For more information go to mtibaths.com.

CSA Certified C/US; ANSI Z124.1
CSA Certified C/US; ANSI 112.19.7

See the Installation & Operation Manual for more details.
MTI's Customer Service: Monday-Friday 8am-6pm EST
800-783-8827 or service@mtibaths.com

- Options and accessories may be packaged inside the tub crate. Always check packaging before discarding.
- All product measurements are ±1/2".
- Specifications and configurations are subject to change without notice.
- Measurements herein supersede all others published prior to publication date below.

CSA # MTDS-84A
CSA # MTDS-84D

©2022 by MTI Baths, Inc. Modification Rights Reserved

IMPORTANT ORDERING & INSTALLATION INFORMATION

- Before ordering or installing, please consider future access to equipment.
- Unless ordering Sculpted Finish on 4 sides, please include a diagram specifying which sides will need to be finished, along with location of optional tile flange(s).
- Drain is not included with this tub model.
- When ordering an air bath, the air blower must be remote mounted.
- Microbubbles system components must be installed on a non-Sculpted Finish side. Components will extend beyond the perimeter of the tub. Call MTI for specific details regarding the desired installation before placing the order.
- Radiance placed on floor locations will affect placement of air jets.
- Hydrotherapy equipment may ship loose for remote installation. See package content on the following page for details. Specifications and configurations are subject to change without notice.



For more information on hydrotherapy packages please visit: mtibaths.com/wellness/

Metro 2
with Sculpted Finish®
MODEL 84A
60" x 42" x 23"

Hydrotherapy Packages	Package Contents	Sculpted Finish Sides	Acrylic CXL™		DoloMatte™	
			Part #	MSRP	Part #	MSRP
Soaker	Soaking bath - no jets, pre-leveled foam base	4-sides sculpted	S84A4	\$9,410	S84D4	\$10,160
		3-sides sculpted	S84A3	\$8,695	S84D3	\$9,445
		2-sides sculpted	S84A2	\$6,990	S84D2	\$7,740
		1-side sculpted	S84A1	\$6,570	S84D1	\$7,320
Microbubbles	1 infusion port, microbubbles pump, pre-leveled foam base	4-sides sculpted	n/a	n/a	n/a	n/a
		3-sides sculpted	M84A3	\$12,015	M84D3	\$12,765
		2-sides sculpted	M84A2	\$10,310	M84D2	\$11,060
		1-side sculpted	M84A1	\$9,890	M84D1	\$10,640
Air Massage	20 air jets, heated air blower, pre-leveled foam base	4-sides sculpted	AST84A4	\$13,060	AST84D4	\$13,810
		3-sides sculpted	AST84A3	\$12,345	AST84D3	\$13,095
		2-sides sculpted	AST84A2	\$10,640	AST84D2	\$11,390
		1-side sculpted	AST84A1	\$10,220	AST84D1	\$10,970
Air Massage Elite	30 air jets, heated air blower, Chromatherapy LED lighting, Spa Mode, pre-leveled foam base	4-sides sculpted	AE84A4	\$14,960	AE84D4	\$15,710
		3-sides sculpted	AE84A3	\$14,245	AE84D3	\$14,995
		2-sides sculpted	AE84A2	\$12,540	AE84D2	\$13,290
		1-side sculpted	AE84A1	\$12,120	AE84D1	\$12,870
Microbubbles with Air Massage	1 infusion port, microbubbles pump, 20 air jets, heated air blower, pre-leveled foam base	4-sides sculpted	n/a	n/a	n/a	n/a
		3-sides sculpted	ASTM84A3	\$15,065	ASTM84D3	\$15,815
		2-sides sculpted	ASTM84A2	\$13,360	ASTM84D2	\$14,110
		1-side sculpted	ASTM84A1	\$12,940	ASTM84D1	\$13,690
Microbubbles with Air Massage Elite	1 infusion port, microbubbles pump, 30 air jets, heated air blower, Chromatherapy LED lighting, Spa Mode, pre-leveled foam base	4-sides sculpted	n/a	n/a	n/a	n/a
		3-sides sculpted	AEM84A3	\$16,865	AEM84D3	\$17,615
		2-sides sculpted	AEM84A2	\$15,160	AEM84D2	\$15,910
		1-side sculpted	AEM84A1	\$14,740	AEM84D1	\$15,490

Microbubbles system components must be installed on a non-Sculpted Finish® side.

Components will extend beyond the perimeter of the tub. Call MTI for specific details regarding the desired installation before placing order.

For more customized applications, additional hydrotherapies may possibly be integrated in Sculpted Finish® tubs, depending on the types of therapy and the installation application. Visit mtibaths.com or call MTI at 800.783.8827.

RECOMMENDED SENSORY THERAPIES

Chromatherapy

(LE) **\$800** underwater lighting
2 LED lights included

Audiotherapy

(STEREOBT) **\$1,390** 2 transducers with bluetooth and amplifier
(BTREMOTE) **\$600** bluetooth remote

(STEREOH202) **\$1,575** 4 transducers
amplifier not included

Thermaltherapy

(RAD100) **\$1,595** Radiance®
2 heated zones included
Zones may be specified on Metro tub deck.



For more information on options and accessories go to Acrylic Tub Options on mtibaths.com

Metro 2 with Sculpted Finish®
MODEL 84A

Options <i>Must be ordered at time of purchase.</i>	
Standard Color White (CWH)	
Textured, Slip-Resistant Bottom (TXTBTM) \$105 Compliant with ASTM C 1028-07 friction coefficient.	
Ozonator (OZONE) \$515	
Virtual Spout high-flow integrated tub filler (FPMJ) \$450 <i>Must be located on same side as tub deck. Specify location when ordering.</i>	
Installation Options <i>Must be ordered at time of purchase.</i>	
Tile Flange	
Factory Installed rigid ABS	IMPORTANT: <i>Must specify flange location(s) on order of Factory-Installed Flange.</i>
1 Side (TFK1) \$175	
2 Sides (TFK2) \$185	
3 Sides (TFK3) \$200	
Field Install Kit (TFKNI) \$185 Includes rigid ABS & adhesive	

Accessories	
Pillows from \$180	
Teak Bath Mat (TKMAT3018) \$815 <i>Custom sizes also available. Contact MTI for details and pricing.</i>	
Teak Tub Tray	
Slatted (TK-TRAY1) \$500	Solid (TK-TRAY2) \$570
Floor-Mounted High-Flow Tub Filler two designs available	
Contemporary	Traditional
Chrome (FILLC) \$1,480	Chrome (FILLTC) \$1,505
Brushed Nickel (FILLBN) \$1,710	Brushed Nickel (FILLTBN) \$1,745

Drains & Overflow Kits *Toe Tap Rectangular Overflow must be ordered at time of purchase*

Cable Driven	Drain Finishes – PVC Drain Kit
	White/Bone/Biscuit (WOCDDW) \$440
	Chrome (WOC) \$410
	Brushed Nickel (WOCDBN) \$490
	Polished Nickel (WOCDPN) \$540
	Oil-Rubbed Bronze+ (WOCDDOR) \$550
	Polished Brass (WOCDBR) \$690
	Special Finishes* (WOCDSF) \$1,135
	<i>MTI does not offer a brass body cable drain kit.</i>
Lift & Turn	Drain Finishes – PVC Drain Kit
	Chrome (WOC) \$185
	White (WOW) \$245
	Brushed Nickel (WOBN) \$305

Toe Tap	Round Overflow – PVC Drain Kit
	Chrome (WOTTC) \$380
	Brushed Nickel (WOTTBN) \$385
	Polished Nickel (WOTTPN) \$385
	Special Finishes* (WOTTSF) \$1,145
	Round Overflow – Solid Brass Drain
	Chrome (WOTTSBC) \$810
	Brushed Nickel (WOTTSBBN) \$810
	Polished Nickel (WOTTSBPN) \$810
	Rectangular Overflow – PVC Drain Kit
	Chrome (WOTRC) \$470
	Brushed Nickel (WOTRBN) \$430
	White (WOTRW) \$525

Slim-Line Overflow with Toe Tap Drain *Must be ordered at time of purchase.*

- Low profile overflow is factory installed
- Overflow measures 4.5" x 1"
- Provides a deeper soak
- Not available for commercial applications

Slim-Line Overflow with Toe Tap Drain
PVC Drain
Chrome (SLOT) \$500
Brushed Nickel (SLOTBN) \$530
Polished Nickel (SLOTBN) \$555
White (SLOTW) \$430

Slim-Line Overflow with Toe Tap Drain
Solid Brass Drain
Chrome (SLOTSBC) \$930
Brushed Nickel (SLOTSBBN) \$935
Polished Nickel (SLOTSBPN) \$935
White (SLOTSBW) \$965



Optional Slim-Line overflow

* MTI has selected an oil-rubbed bronze finish that is compatible with Delta and many other manufacturers. To ensure best match, order as a Special Finish and submit a sample.
* Allow 2-4 weeks lead time for Special Finishes. Send sample for best match.

