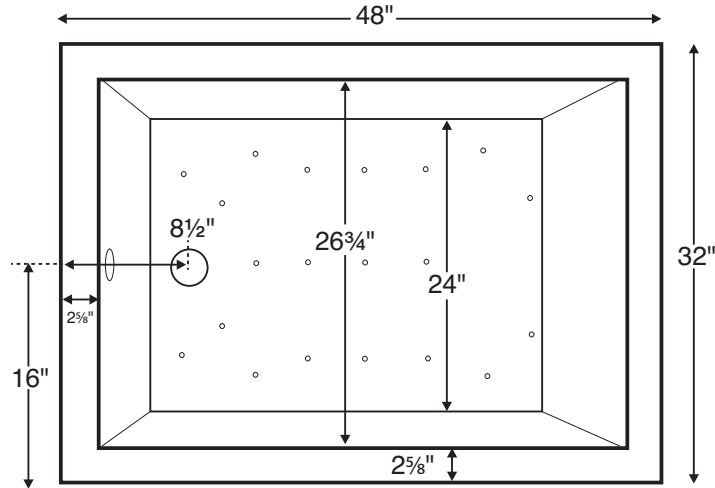




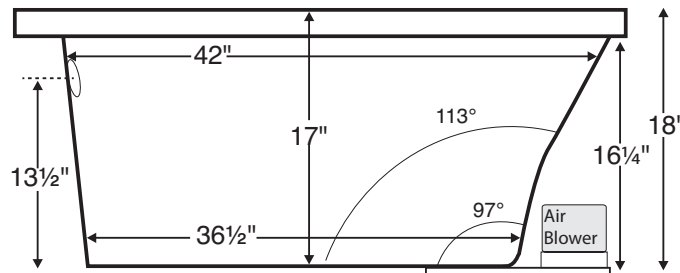
# Designer Collection Tubs

## Andrea® 25

MODEL 212	
48" x 32" x 18"	
DROP-IN or UNDERMOUNT 49 gal to overflow	
<b>Acrylic CXL™</b>	<b>DoloMatte™</b>
90 lbs / 41 kg	<SOAKER> 101 lbs / 46 kg
Filling this tub to the maximum may require an above average size or dedicated water heater.	



This model cannot accommodate a deck mount tub filler.  
Shown with Air Massage Package.



**IMPORTANT:**  
Air baths and tubs with a pre-leveled foam base or frame system add 2-3" to overall tub height.

### IMPORTANT ORDERING & INSTALLATION INFORMATION

- Before ordering or installing, please consider future access to equipment.
- Add proper bedding compound to fully level and support bottom of tub.
- When equipped with an air bath package, pre-leveled foam base or frame system, overall tub height is increased by approx. 2-3" and is designed to install on a flat, level subfloor.
- Radiance placed on airbath floor will affect placement of air jets.
- System components may extend beyond the perimeter of deck.
- Please measure tub **on-site** before building tub decking.
- Advise MTI when planning to use a glass enclosure. Relocation of controls may be necessary.
- Suction and control locations may vary.

### ELECTRICAL COMPONENTS & SPECIFICATIONS

Hydrotherapy Package	Components Included	GFCI / 110V
<b>Standard Whirlpool</b>	2-bhp pump	1-15 amp
<b>Stream Bath</b>	1/2-bhp, ozone	1-20 amp
<b>Microbubbles</b>	Microbubbles pump	1-15 amp
<b>Ultra Whirlpool</b>	2-bhp pump, inline heater, ozone	2-15 amp
<b>Air Massage</b>	heated blower	1-15 amp
<b>Air Massage Elite</b>	heated blower, chromatherapy	1-15 amp
<b>Air Massage w/ Stream Bath</b>	1/2-bhp pump, heated blower, ozone	1-20 amp
<b>Air Massage Elite w/ Stream Bath</b>	1/2-bhp pump, heated blower, chromatherapy, ozone	1-20 amp

Electrical requirements may change with the addition of optional therapy components. See specific option details or installation information.  
CSA Certified C/US; ANSI Z124.1 and ANSI 112.19.7

Hydrotherapy Package	Components Included	GFCI / 110V
<b>Microbubbles with Air</b>	Microbubbles pump, heated blower	1-20 amp
<b>Microbubbles with Air Elite</b>	Microbubbles pump, heated blower, chromatherapy	2-15 amp
<b>Air with Whirlpool</b>	2-bhp pump, heated blower	2-15 amp
<b>Air with Ultra Whirlpool</b>	2-bhp pump, inline heater, heated blower, ozone	2-20 amp
<b>Air Elite with Whirlpool</b>	2-bhp pump, heated blower, chromatherapy	2-15 amp
<b>Air Elite with Ultra Whirlpool</b>	2-bhp pump, inline heater, heated blower, chromatherapy, ozone	2-20 amp

See the Installation & Operation Manual for more details.  
MTI's Customer Service Monday-Friday 8am-6pm EST  
800-783-8827 or service@mtibaths.com

- Before discarding tub crate, check for accessories that may be packaged inside.
- All product measurements are ±1/2".
- Specifications and configurations are subject to change without notice.
- Measurements herein supersede all others published prior to publication date below.



- Aromatherapy is eliminated for undermount applications
- Air Baths, Pre-Leveled Foam Base or Frame Systems increase overall height by 2-3".

Hydrotherapy Packages	Package Contents	Acrylic CXL™		DoloMatte™	
		Part #	MSRP	Part #	MSRP
Soaker	Soaking bath - no jets	S212-DI	\$2,765	S212DM-DI	\$3,365
		S212-UM		S212DM-UM	
Stream Bath	6 side vents, 2 end vents, 1/2 bhp pump, Ozone	SM212-DI	\$5,310	SM212DM-DI	\$5,910
		SM212-UM		SM212DM-UM	
Microbubbles	1 microbubbles infusion port and pump	M212-DI	\$6,085	M212DM-DI	\$6,685
		M212-UM		M212DM-UM	
Air Massage	20 air jets, heated air blower, Aromatherapy, pre-leveled foam base	AST212-DI	\$6,415	AST212DM-DI	\$7,015
		AST212-UM		AST212DM-UM	
Air Massage Elite	30 air jets, heated air blower, Aromatherapy, Chromatherapy LED lighting, Spa Mode, pre-leveled foam base	AE212-DI	\$8,315	AE212DM-DI	\$8,915
		AE212-UM		AE212DM-UM	
Stream Bath with Air Massage	6 side vents, 2 end vents, 1/2 bhp pump, Ozone, 20 air jets, heated air blower, Aromatherapy, pre-leveled foam base	ASTSM212-DI	\$8,460	ASTSM212DM-DI	\$9,060
		ASTSM212-UM		ASTSM212DM-UM	
Stream Bath with Air Massage Elite	6 side vents, 2 end vents, 1/2 bhp pump, Ozone, 30 air jets, heated air blower, Aromatherapy, Chromatherapy LED lighting, Spa Mode, pre-leveled foam base	AESM212-DI	\$10,560	AESM212DM-DI	\$11,160
		AESM212-UM		AESM212DM-UM	
Microbubbles with Air Massage	1 microbubbles infusion port and pump, 20 air jets, heated air blower, Aromatherapy, pre-leveled foam base	ASTM212-DI	\$9,135	ASTM212DM-DI	\$9,735
		ASTM212-UM		ASTM212DM-UM	
Microbubbles with Air Massage Elite	1 microbubbles infusion port and pump, 30 air jets, heated air blower, Aromatherapy, Chromatherapy LED lighting, Spa Mode, pre-leveled foam base	AEM212-DI	\$10,935	AEM212DM-DI	\$11,535
		AEM212-UM		AEM212DM-UM	

RECOMMENDED SENSORY THERAPIES

**Chromatherapy**

(LE) **\$800** underwater lighting  
2 LED lights included

**Audiotherapy**

(STEREOBT) **\$1,390** 2 transducers  
with bluetooth and amplifier  
(BTREMOTE) **\$600** bluetooth remote

(STEREOH202) **\$1,575** 4 transducers  
amplifier not included

**Thermaltherapy**

(RAD100) **\$1,595** Radiance®  
2 heated zones included  
(HTISOAK) **\$825**

For more information on options and accessories go to Acrylic Tub Options at mtibaths.com

Options <i>Must be ordered at time of purchase.</i>	
<b>Standard Colors</b> White (CWH) Biscuit (CBS) <i>Please call for availability of special colors.</i>	
<b>Quick Ship</b> reduces lead time (QSPRI) <b>\$430</b> <i>Please call for availability</i>	
<b>Inline Heater</b> maintains water temperature <b>For Soaker or Air Baths (HTISOAK) \$825</b> Includes a recirculating pump <i>Cannot be combined with Microbubbles.</i>	
<b>Virtual Spout</b> high-flow integrated tub filler (FPMJ) <b>\$450</b> <i>Must specify stub-out location on order. See page 1 for location options.</i>	
<b>Grab Bars</b> from <b>\$330</b> <i>Selections vary. Personalization available.</i>	
<b>Textured, Slip-Resistant Bottom (TXTBTM) \$105</b> Compliant with ASTM C 1028-07 friction coefficient.	
<b>Low-Profile Rim</b> - reduces rim height to 1" (LPR) <b>\$265</b>	
Accessories	
<b>Pillows</b> from <b>\$180</b>	
<b>Teak Bath Mat (TKMAT3018) \$815</b> <i>Custom sizes also available. Contact MTI for details and pricing.</i>	
<b>Teak Tub Tray</b> Slatted (TK-TRAY1) <b>\$500</b> Solid (TK-TRAY2) <b>\$570</b>	

Hydrotherapy Equipment & Cleaning Systems <i>Must be ordered at time of purchase.</i>	
<b>Inline Heater</b> maintains water temperature <b>For Whirlpools or Stream Bath (HTI) \$570</b> Uses existing pump <i>Cannot be combined with Microbubbles.</i>	
<b>Whirlpool Cleaning Systems</b> <b>Fill-Flush (FFSO) \$590</b> <b>Simple Touch (FFE) \$1,020</b> <i>Must specify stub-out location on order. See page 1 for location options.</i>	
<b>Whirlpool Jets</b> Pump upgrade may be advisable for optimal performance when adding jets. <b>Point-Massage Jet</b> Extra Point-Massage Jet (EJ) <b>\$315</b> <b>Micro-Jet</b> from <b>\$360</b> <i>Jet styles and packages vary. Personalization available.</i> <b>Pump Upgrade - 3-bhp (PUMP3) \$315</b>	
<b>Jet Trim Kits</b> <b>For Standard Whirlpool</b> Chrome (TRC) <b>\$270</b> , Brushed Nickel (TRBN) <b>\$725</b> <b>For Ultra Whirlpool</b> Chrome (TRCU) <b>\$370</b> , Brushed Nickel (TRBNU) <b>\$960</b> <i>Other finishes available.</i>	
<b>Ozonator (OZONE) \$515</b> <i>Cannot be added to soakers or airbaths without combination hydrotherapy package or HTISOAK.</i>	

Installation Options <i>Must be ordered at time of purchase.</i>	
<b>Pre-Leveled Foam Base (PLFOAM) \$295</b> All airbaths include a pre-leveled foam base.	<b>Tile Flange</b> <b>Factory-Installed on 3 sides - rigid ABS (TFK3) \$200</b> <b>Field Install Kit - includes rigid ABS &amp; adhesive (TFKNI) \$185</b> <i>IMPORTANT: Must specify flange location(s) on order of Factory-Installed Flange. Not available with optional Low-Profile Rim.</i>
<b>Pre-Leveled Frame and Foam Base (PLF) \$740</b>	
<b>Pre-Leveled Frame and Foam Base with Skirting (Acrylic CXL™ tubs only)</b> <i>For pricing and details go to mtibaths.com</i>	

Drains & Overflow Kits <i>Toe Tap Rectangular Overflow must be ordered at time of purchase</i>		
<b>Cable Driven</b> <b>Drain Finishes – PVC Drain Kit</b> White/Biscuit (WOCDW) <b>\$440</b> Chrome (WOCD) <b>\$410</b> Brushed Nickel (WOCDBN) <b>\$490</b> Polished Nickel (WOCDPN) <b>\$540</b> Oil-Rubbed Bronze+ (WOCBOR) <b>\$550</b> Polished Brass (WOCDBR) <b>\$690</b> Special Finishes* (WOCDSF) <b>\$1,135</b> <i>MTI does not offer a brass body cable drain kit.</i>	<b>Toe Tap</b> <b>Round Overflow – PVC Drain Kit</b> Chrome (WOTTC) <b>\$380</b> Brushed Nickel (WOTTBN) <b>\$385</b> Polished Nickel (WOTTPN) <b>\$385</b> Special Finishes* (WOTTSF) <b>\$1,145</b> <b>Round Overflow – Solid Brass Drain</b> Chrome (WOTTSBC) <b>\$810</b> Brushed Nickel (WOTTSBBN) <b>\$810</b> Polished Nickel (WOTTSBPN) <b>\$810</b>	<b>Toe Tap</b> <b>Rectangular Overflow – PVC Drain Kit</b> Chrome (WOTRC) <b>\$470</b> Brushed Nickel (WOTRBN) <b>\$430</b> White (WOTRW) <b>\$525</b> <b>Lift &amp; Turn</b> <b>Drain Finishes – PVC Drain Kit</b> Chrome (WOC) <b>\$185</b> White (WOW) <b>\$245</b> Brushed Nickel (WOBN) <b>\$305</b>

Slim-Line Overflow with Toe Tap Drain <i>Must be ordered at time of purchase.</i>		
<ul style="list-style-type: none"> <li>Low profile overflow is factory installed</li> <li>Overflow measures 4.5" x 1"</li> <li>Provides a deeper soak</li> <li>Not available for commercial applications</li> </ul>	<b>Slim-Line Overflow with Toe Tap Drain</b> PVC Drain Chrome (SLOTC) <b>\$500</b> Brushed Nickel (SLOTBN) <b>\$530</b> Polished Nickel (SLOTPN) <b>\$555</b> White (SLOTW) <b>\$430</b>	<b>Slim-Line Overflow with Toe Tap Drain</b> Solid Brass Drain Chrome (SLOTSBC) <b>\$930</b> Brushed Nickel (SLOTSBBN) <b>\$935</b> Polished Nickel (SLOTSBPN) <b>\$935</b> White (SLOTSBW) <b>\$965</b>

\* MTI has selected an oil-rubbed bronze finish that is compatible with Delta and many other manufacturers. To ensure best match, order as a Special Finish and submit a sample.

\* Allow 2-4 weeks lead time for Special Finishes. Send sample for best match.

