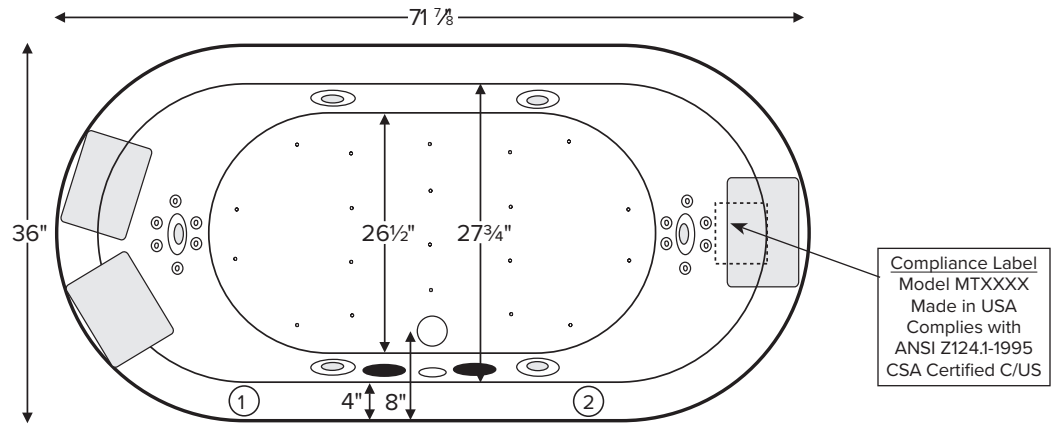


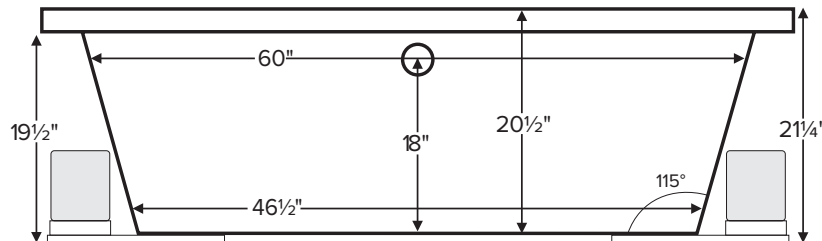
New Yorker 5



MODEL 111		
71.875" x 36" x 21.25"		
DROP-IN or UNDERMOUNT <i>Not recommended as a tub/shower combination</i> 102 gal to overflow		
Acrylic CXL™		DoloMatte™
110 lbs / 50 kg	<SOAKER>	124 lbs / 56 kg
133 lbs / 60 kg	<PLUMBED>	147 lbs / 67 kg
Filling this tub to the maximum may require an above average size or dedicated water heater.		



Numbered areas on tub deck represent possible locations to install cleaning systems, faucets and other fixtures. When Fill-Flush is ordered and location 2 is chosen, the detergent feeder will need to be offset to the left or the right. Shown with Air Massage and Ultra Whirlpool Package.



IMPORTANT: Air baths and tubs with a pre-leveled foam base or frame system add 2-3" to overall tub height.

IMPORTANT ORDERING & INSTALLATION INFORMATION

- Before ordering or installing, please consider future access to equipment.
- Add proper bedding compound to fully level and support bottom of tub.
- When equipped with an air bath package, pre-leveled foam base or frame system, overall tub height is increased by approx. 2-3" and is designed to install on a flat, level subfloor.
- Radiance placed on airbath floor will affect placement of air jets.
- System components may extend beyond the perimeter of deck.
- Please measure tub **on-site** before building tub decking.
- Advise MTI when planning to use a glass enclosure. Relocation of controls may be necessary.
- Suction and control locations may vary.

ELECTRICAL COMPONENTS & SPECIFICATIONS

Hydrotherapy Package	Components Included	GFCI / 110V
Standard Whirlpool	2-bhp pump	1-15 amp
Stream Bath	1/2-bhp, ozone	1-20 amp
Microbubbles	Microbubbles pump	1-15 amp
Ultra Whirlpool	2-bhp pump x 2, inline heater, ozone	2-20 amp
Air Massage	heated blower	1-15 amp
Air Massage Elite	heated blower, chromatherapy	1-15 amp
Air Massage w/ Stream Bath	1/2-bhp pump, heated blower, ozone	1-20 amp
Air Massage Elite w/ Stream Bath	1/2-bhp pump, heated blower, chromatherapy, ozone	1-20 amp

Electrical requirements may change with the addition of optional therapy components. See specific option details or installation information. CSA Certified C/US; ANSI Z124.1 and ANSI 112.19.7

Hydrotherapy Package	Components Included	GFCI / 110V
Microbubbles with Air	Microbubbles pump, heated blower	1-20 amp
Microbubbles with Air Elite	Microbubbles pump, heated blower, chromatherapy	2-15 amp
Air with Whirlpool	2-bhp pump, heated blower	2-15 amp
Air with Ultra Whirlpool	2-bhp pump x 2, inline heater, heated blower, ozone	2-20 amp
Air Elite with Whirlpool	2-bhp pump, heated blower, chromatherapy	2-15 amp
Air Elite with Ultra Whirlpool	2-bhp pump x 2, inline heater, heated blower, chromatherapy, ozone	2-20 amp

See the Installation & Operation Manual for more details. MTI's Customer Service Monday-Friday 8am-6pm EST 800-783-8827 or service@mtibaths.com

- Before discarding tub crate, check for accessories that may be packaged inside.
- All product measurements are ±1/2".
- Specifications and configurations are subject to change without notice.
- Measurements herein supersede all others published prior to publication date below.



- Aromatherapy is eliminated for undermount applications
- Air Baths, Pre-Levelled Foam Base or Frame Systems increase overall height by 2-3".

New Yorker 5
 MODEL 111
 71.875" x 36" x 21.25"

Hydrotherapy Packages	Package Contents	Acrylic CXL™		DoloMatte™	
		Part #	MSRP	Part #	MSRP
Soaker	Soaking bath - no jets	S111-DI	\$3,120	S111DM-DI	\$3,720
		S111-UM		S111DM-UM	
Stream Bath	6 side vents, 2 end vents, 1/2 bhp pump, Ozone	SM111-DI	\$5,665	SM111DM-DI	\$6,265
		SM111-UM		SM111DM-UM	
Microbubbles	1 microbubbles infusion port and pump	M111-DI	\$6,440	M111DM-DI	\$7,040
		M111-UM		M111DM-UM	
Air Massage	20 air jets, heated air blower, Aromatherapy, pre-leveled foam base	AST111-DI	\$6,770	AST111DM-DI	\$7,370
		AST111-UM		AST111DM-UM	
Air Massage Elite	30 air jets, heated air blower, Aromatherapy, Chromatherapy LED lighting, Spa Mode, pre-leveled foam base	AE111-DI	\$8,670	AE111DM-DI	\$9,270
		AE111-UM		AE111DM-UM	
Stream Bath with Air Massage	6 side vents, 2 end vents, 1/2 bhp pump, Ozone, 20 air jets, heated air blower, Aromatherapy, pre-leveled foam base	ASTSM111-DI	\$8,815	ASTSM111DM-DI	\$9,415
		ASTSM111-UM		ASTSM111DM-UM	
Stream Bath with Air Massage Elite	6 side vents, 2 end vents, 1/2 bhp pump, Ozone, 30 air jets, heated air blower, Aromatherapy, Chromatherapy LED lighting, Spa Mode, pre-leveled foam base	AESM111-DI	\$10,915	AESM111DM-DI	\$11,515
		AESM111-UM		AESM111DM-UM	
Microbubbles with Air Massage	1 microbubbles infusion port and pump, 20 air jets, heated air blower, Aromatherapy, pre-leveled foam base	ASTM111-DI	\$9,490	ASTM111DM-DI	\$10,090
		ASTM111-UM		ASTM111DM-UM	
Microbubbles with Air Massage Elite	1 microbubbles infusion port and pump, 30 air jets, heated air blower, Aromatherapy, Chromatherapy LED lighting, Spa Mode, pre-leveled foam base	AEM111-DI	\$11,290	AEM111DM-DI	\$11,890
		AEM111-UM		AEM111DM-UM	
Standard Whirlpool	6 point-massage jets, 2-bhp pump	P111-DI	\$5,485	P111DM-DI	\$6,085
		P111-UM		P111DM-UM	
Ultra Whirlpool	6 point-massage jets, 12 micro-jets with Tsubo massage, 2 2-bhp pumps, inline heater, Ozone	P111U-DI	\$7,480	P111UDM-DI	\$8,080
		P111U-UM		P111UDM-UM	
Air Massage with Standard Whirlpool	6 point-massage jets, 2-bhp pump, 20 air jets, heated air blower, Aromatherapy, pre-leveled foam base	AW111-DI	\$9,135	AW111DM-DI	\$9,735
		AW111-UM		AW111DM-UM	
Air Massage with Ultra Whirlpool	6 point-massage jets, 12 micro-jets with Tsubo massage, 2 2-bhp pumps, inline heater, 20 air jets, heated air blower, Aromatherapy, Ozone, pre-leveled foam base	AU111-DI	\$11,130	AU111DM-DI	\$11,730
		AU111-UM		AU111DM-UM	
Air Massage Elite with Standard Whirlpool	6 point-massage jets, 2-bhp pump, 30 air jets, heated air blower, Aromatherapy, Chromatherapy LED lighting, Spa Mode, pre-leveled foam base	AEAP111-DI	\$11,035	AEAP111DM-DI	\$11,635
		AEAP111-UM		AEAP111DM-UM	
Air Massage Elite with Ultra Whirlpool	6 point-massage jets, 12 micro-jets with Tsubo massage, 2 2-bhp pumps, inline heater, 30 air jets, heated air blower, Aromatherapy, Ozone, Chromatherapy LED lighting, Spa Mode, pre-leveled foam base	AEAP111U-DI	\$12,130	AEAP111UDM-DI	\$12,730
		AEAP111U-UM		AEAP111UDM-UM	

RECOMMENDED SENSORY THERAPIES

Chromatherapy

(LE) **\$800** underwater lighting
 2 LED lights included

Audiotherapy

(STEREOBT) **\$1,390** 2 transducers with bluetooth and amplifier
 (BTREMOTE) **\$600** bluetooth remote

(STEREOH202) **\$1,575** 4 transducers amplifier not included

Thermaltherapy

(RAD100) **\$1,595** Radiance®
 2 heated zones included
 (HTISOAK) **\$825**



For more information on options and accessories go to Acrylic Tub Options at mtibaths.com

Options <i>Must be ordered at time of purchase.</i>	
Standard Colors White (CWH) Biscuit (CBS) <i>Please call for availability of special colors.</i>	
Quick Ship reduces lead time (QSPRI) \$430 <i>Please call for availability</i>	
Inline Heater maintains water temperature For Soaker or Air Baths (HTISOAK) \$825 Includes a recirculating pump <i>Cannot be combined with Microbubbles.</i>	
Virtual Spout high-flow integrated tub filler (FPMJ) \$450 <i>Must specify stub-out location on order. See page 1 for location options.</i>	
Grab Bars from \$330 <i>Selections vary. Personalization available.</i>	
Textured, Slip-Resistant Bottom (TXTBTM) \$105 Compliant with ASTM C 1028-07 friction coefficient.	

Accessories	
Pillows from \$180	
Teak Bath Mat (TKMAT3018) \$815 <i>Custom sizes also available. Contact MTI for details and pricing.</i>	
Teak Tub Tray Slatted (TK-TRAY1) \$500 Solid (TK-TRAY2) \$570	

Installation Options <i>Must be ordered at time of purchase.</i>	
Pre-Leveled Foam Base (PLFOAM) \$295 All airbaths include a pre-leveled foam base.	

Hydrotherapy Equipment & Cleaning Systems <i>Must be ordered at time of purchase.</i>	
Inline Heater maintains water temperature For Whirlpools or Stream Bath (HTI) \$570 Uses existing pump <i>Cannot be combined with Microbubbles.</i>	
Whirlpool Cleaning Systems Fill-Flush (FFSO) \$590 Simple Touch (FFE) \$1,020 <i>Must specify stub-out location on order. See page 1 for location options.</i>	
Whirlpool Jets Pump upgrade may be advisable for optimal performance when adding jets. Point-Massage Jet Extra Point-Massage Jet (EJ) \$315 Micro-Jet from \$360 <i>Jet styles and packages vary. Personalization available.</i>	
Pump Upgrade - 3-bhp (PUMP3) \$315	
Jet Trim Kits For Standard Whirlpool Chrome (TRC) \$270 , Brushed Nickel (TRBN) \$725 For Ultra Whirlpool Chrome (TRCU) \$370 , Brushed Nickel (TRBNU) \$960 <i>Other finishes available.</i>	
Ozonator (OZONE) \$515 <i>Cannot be added to soakers or airbaths without combination hydrotherapy package or HTISOAK.</i>	

Drains & Overflow Kits *Toe Tap Rectangular Overflow must be ordered at time of purchase*

Cable Driven	
Drain Finishes – PVC Drain Kit	
White/Biscuit (WOCDW) \$440	
Chrome (WOC) \$410	
Brushed Nickel (WOCDBN) \$490	
Polished Nickel (WOCDPN) \$540	
Oil-Rubbed Bronze* (WOCBOR) \$550	
Polished Brass (WOCDBR) \$690	
Special Finishes* (WOCDSF) \$1,135	
<i>MTI does not offer a brass body cable drain kit.</i>	

Toe Tap	
Round Overflow – PVC Drain Kit	
Chrome (WOTTC) \$380	
Brushed Nickel (WOTTBN) \$385	
Polished Nickel (WOTTPN) \$385	
Special Finishes* (WOTTSF) \$1,145	
Round Overflow – Solid Brass Drain	
Chrome (WOTTSBC) \$810	
Brushed Nickel (WOTTSBBN) \$810	
Polished Nickel (WOTTSBPN) \$810	

Toe Tap	
Rectangular Overflow – PVC Drain Kit	
Chrome (WOTRC) \$470	
Brushed Nickel (WOTRBN) \$430	
White (WOTRW) \$525	
Lift & Turn	
Drain Finishes – PVC Drain Kit	
Chrome (WOC) \$185	
White (WOW) \$245	
Brushed Nickel (WOBN) \$305	

Slim-Line Overflow with Toe Tap Drain <i>Must be ordered at time of purchase.</i>	
<ul style="list-style-type: none"> Low profile overflow is factory installed Overflow measures 4.5" x 1" Provides a deeper soak Not available for commercial applications 	

Slim-Line Overflow with Toe Tap Drain	
PVC Drain	
Chrome (SLOT) \$500	
Brushed Nickel (SLOTBN) \$530	
Polished Nickel (SLOTPN) \$555	
White (SLOTW) \$430	

Slim-Line Overflow with Toe Tap Drain	
Solid Brass Drain	
Chrome (SLOTSBC) \$930	
Brushed Nickel (SLOTSBBN) \$935	
Polished Nickel (SLOTSBPN) \$935	
White (SLOTSBW) \$965	

* MTI has selected an oil-rubbed bronze finish that is compatible with Delta and many other manufacturers. To ensure best match, order as a Special Finish and submit a sample.

* Allow 2-4 weeks lead time for Special Finishes. Send sample for best match.