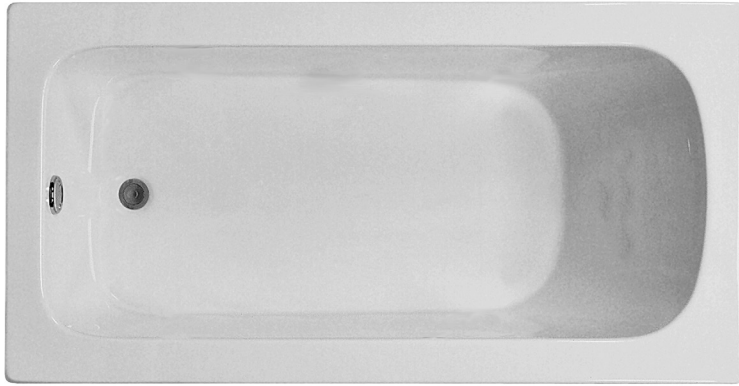
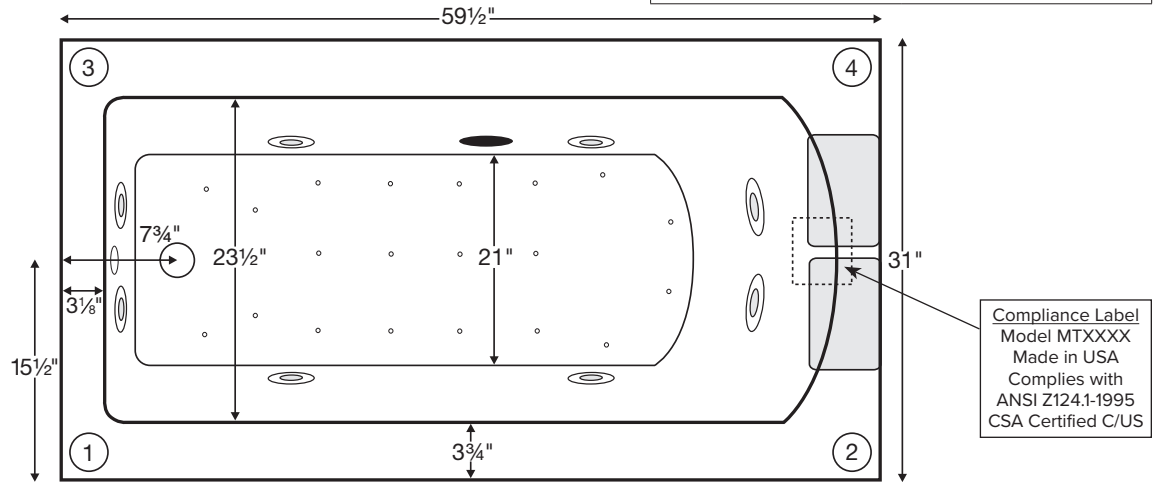


Sophia 1

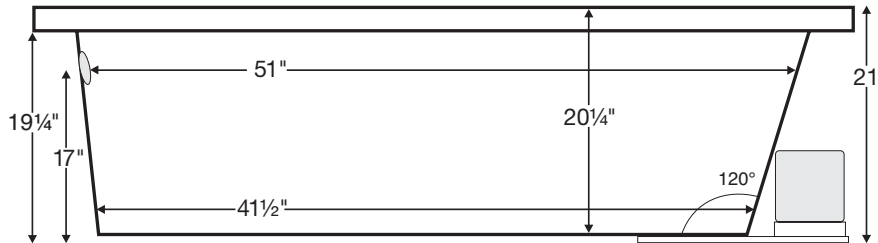


MODEL 55	
59.5" x 31" x 21"	
DROP-IN or UNDERMOUNT 77 gal to overflow	
<b>Acrylic CXL™</b>	<b>DoloMatte™</b>
95 lbs / 43 kg	<SOAKER> 107 lbs / 49 kg
118 lbs / 54 kg	<PLUMBED> 130 lbs / 59 kg
Filling this tub to the maximum may require an above average size or dedicated water heater.	



Compliance Label  
Model MTXXXX  
Made in USA  
Complies with  
ANSI Z124.1-1995  
CSA Certified C/US

Numbered areas on tub deck represent possible locations to install cleaning systems, faucets and other fixtures. Shown with Air Massage and Ultra Whirlpool Package.



**IMPORTANT:**  
Air baths and tubs with a pre-leveled foam base or frame system add 2-3" to overall tub height.

**IMPORTANT ORDERING & INSTALLATION INFORMATION**

- Before ordering or installing, please consider future access to equipment.
- Add proper bedding compound to fully level and support bottom of tub.
- When equipped with an air bath package, pre-leveled foam base or frame system, overall tub height is increased by approx. 2-3" and is designed to install on a flat, level subfloor.
- Radiance placed on airbath floor will affect placement of air jets.
- System components may extend beyond the perimeter of deck.
- Please measure tub **on-site** before building tub decking.
- Advise MTI when planning to use a glass enclosure. Relocation of controls may be necessary.
- Suction and control locations may vary.

**ELECTRICAL COMPONENTS & SPECIFICATIONS**

Hydrotherapy Package	Components Included	GFCI / 110V
Standard Whirlpool	2-bhp pump	1-15 amp
Stream Bath	1/2-bhp, ozone	1-20 amp
Microbubbles	Microbubbles pump	1-15 amp
Ultra Whirlpool	2-bhp pump, inline heater, ozone	2-15 amp
Air Massage	heated blower	1-15 amp
Air Massage Elite	heated blower, chromatherapy	1-15 amp
Air Massage w/ Stream Bath	1/2-bhp pump, heated blower, ozone	1-20 amp
Air Massage Elite w/ Stream Bath	1/2-bhp pump, heated blower, chromatherapy, ozone	1-20 amp

Hydrotherapy Package	Components Included	GFCI / 110V
Microbubbles with Air	Microbubbles pump, heated blower	1-20 amp
Microbubbles with Air Elite	Microbubbles pump, heated blower, chromatherapy	2-15 amp
Air with Whirlpool	2-bhp pump, heated blower	2-15 amp
Air with Ultra Whirlpool	2-bhp pump, inline heater, heated blower, ozone	2-20 amp
Air Elite with Whirlpool	2-bhp pump, heated blower, chromatherapy	2-15 amp
Air Elite with Ultra Whirlpool	2-bhp pump, inline heater, heated blower, chromatherapy, ozone	2-20 amp

See the Installation & Operation Manual for more details.  
MTI's Customer Service Monday-Friday 8am-6pm EST  
800-783-8827 or service@mtibaths.com

- Before discarding tub crate, check for accessories that may be packaged inside.
- All product measurements are ±1/2".
- Specifications and configurations are subject to change without notice.
- Measurements herein supersede all others published prior to publication date below.



- Aromatherapy is eliminated for undermount applications
- Air Baths, Pre-Levelled Foam Base or Frame Systems increase overall height by 2-3".

Sophia 1  
MODEL 55  
59.5" x 31" x 21"

Hydrotherapy Packages	Package Contents	Acrylic CXL™		DoloMatte™	
		Part #	MSRP	Part #	MSRP
Soaker	Soaking bath - no jets	S55-DI	\$2,630	S55DM-DI	\$3,230
		S55-UM		S55DM-UM	
Stream Bath	6 side vents, 2 end vents, 1/2 bhp pump, Ozone	SM55-DI	\$5,175	SM55DM-DI	\$5,775
		SM55-UM		SM55DM-UM	
Microbubbles	1 microbubbles infusion port and pump	M55-DI	\$5,950	M55DM-DI	\$6,550
		M55-UM		M55DM-UM	
Air Massage	20 air jets, heated air blower, Aromatherapy, pre-leveled foam base	AST55-DI	\$6,280	AST55DM-DI	\$6,880
		AST55-UM		AST55DM-UM	
Air Massage Elite	30 air jets, heated air blower, Aromatherapy, Chromatherapy LED lighting, Spa Mode, pre-leveled foam base	AE55-DI	\$8,180	AE55DM-DI	\$8,780
		AE55-UM		AE55DM-UM	
Stream Bath with Air Massage	6 side vents, 2 end vents, 1/2 bhp pump, Ozone, 20 air jets, heated air blower, Aromatherapy, pre-leveled foam base	ASTSM55-DI	\$8,325	ASTSM55DM-DI	\$8,925
		ASTSM55-UM		ASTSM55DM-UM	
Stream Bath with Air Massage Elite	6 side vents, 2 end vents, 1/2 bhp pump, Ozone, 30 air jets, heated air blower, Aromatherapy, Chromatherapy LED lighting, Spa Mode, pre-leveled foam base	AESM55-DI	\$10,425	AESM55DM-DI	\$11,025
		AESM55-UM		AESM55DM-UM	
Microbubbles with Air Massage	1 microbubbles infusion port and pump, 20 air jets, heated air blower, Aromatherapy, pre-leveled foam base	ASTM55-DI	\$9,000	ASTM55DM-DI	\$9,600
		ASTM55-UM		ASTM55DM-UM	
Microbubbles with Air Massage Elite	1 microbubbles infusion port and pump, 30 air jets, heated air blower, Aromatherapy, Chromatherapy LED lighting, Spa Mode, pre-leveled foam base	AEM55-DI	\$10,800	AEM55DM-DI	\$11,400
		AEM55-UM		AEM55DM-UM	
Standard Whirlpool	6 point-massage jets, 2-bhp pump	P55-DI	\$4,995	P55DM-DI	\$5,595
		P55-UM		P55DM-UM	
Ultra Whirlpool	8 point-massage jets, 2 bhp pump, inline heater, Ozone	P55U-DI	\$6,990	P55UDM-DI	\$7,590
		P55U-UM		P55UDM-UM	
Air Massage with Standard Whirlpool	6 point-massage jets, 2-bhp pump, 20 air jets, heated air blower, Aromatherapy, pre-leveled foam base	AW55-DI	\$8,645	AW55DM-DI	\$9,245
		AW55-UM		AW55DM-UM	
Air Massage with Ultra Whirlpool	8 point-massage jets, 2 bhp pump, inline heater, 20 air jets, heated air blower, Aromatherapy, Ozone, pre-leveled foam base	AU55-DI	\$10,640	AU55DM-DI	\$11,240
		AU55-UM		AU55DM-UM	
Air Massage Elite with Standard Whirlpool	6 point-massage jets, 2-bhp pump, 30 air jets, heated air blower, Aromatherapy, Chromatherapy LED lighting, Spa Mode, pre-leveled foam base	AEAP55-DI	\$10,545	AEAP55DM-DI	\$11,145
		AEAP55-UM		AEAP55DM-UM	
Air Massage Elite with Ultra Whirlpool	8 point-massage jets, 2 bhp pump, inline heater, 30 air jets, heated air blower, Aromatherapy, Ozone, Chromatherapy LED lighting, Spa Mode, pre-leveled foam base	AEAP55U-DI	\$11,640	AEAP55UDM-DI	\$12,240
		AEAP55U-UM		AEAP55UDM-UM	

RECOMMENDED SENSORY THERAPIES

**Chromatherapy**

(LE) **\$800** underwater lighting  
2 LED lights included

**Audiotherapy**

(STEREOBT) **\$1,390** 2 transducers with bluetooth and amplifier  
(BTREMOTE) **\$600** bluetooth remote

(STEREOH202) **\$1,575** 4 transducers amplifier not included

**Thermaltherapy**

(RAD100) **\$1,595** Radiance®  
2 heated zones included  
(HTISOAK) **\$825**



For more information on options and accessories go to Acrylic Tub Options at mtbaths.com

<b>Options</b> <i>Must be ordered at time of purchase.</i>	
<b>Standard Colors</b> White (CWH) Biscuit (CBS) <i>Please call for availability of special colors.</i>	
<b>Quick Ship</b> reduces lead time (QSPRI) <b>\$430</b> <i>Please call for availability</i>	
<b>Inline Heater</b> maintains water temperature <b>For Soaker or Air Baths (HTISOAK) \$825</b> Includes a recirculating pump <i>Cannot be combined with Microbubbles.</i>	
<b>Virtual Spout</b> high-flow integrated tub filler (FPMJ) <b>\$450</b> <i>Must specify stub-out location on order. See page 1 for location options.</i>	
<b>Grab Bars</b> from <b>\$330</b> <i>Selections vary. Personalization available.</i>	
<b>Textured, Slip-Resistant Bottom</b> (TXTBTM) <b>\$105</b> Compliant with ASTM C 1028-07 friction coefficient.	

<b>Accessories</b>	
<b>Pillows</b> from <b>\$180</b>	
<b>Teak Bath Mat</b> (TKMAT3018) <b>\$815</b> <i>Custom sizes also available. Contact MTI for details and pricing.</i>	
<b>Teak Tub Tray</b> Slatted (TK-TRAY1) <b>\$500</b> Solid (TK-TRAY2) <b>\$570</b>	

<b>Hydrotherapy Equipment &amp; Cleaning Systems</b> <i>Must be ordered at time of purchase.</i>	
<b>Inline Heater</b> maintains water temperature <b>For Whirlpools or Stream Bath (HTI) \$570</b> Uses existing pump <i>Cannot be combined with Microbubbles.</i>	
<b>Whirlpool Cleaning Systems</b> Fill-Flush (FFSO) <b>\$590</b> Simple Touch (FFE) <b>\$1,020</b> <i>Must specify stub-out location on order. See page 1 for location options.</i>	
<b>Whirlpool Jets</b> Pump upgrade may be advisable for optimal performance when adding jets. <b>Point-Massage Jet</b> Extra Point-Massage Jet (EJ) <b>\$315</b> <b>Micro-Jet</b> from <b>\$360</b> <i>Jet styles and packages vary. Personalization available.</i>	
<b>Pump Upgrade</b> - 3-bhp (PUMP3) <b>\$315</b>	
<b>Jet Trim Kits</b> <b>For Standard Whirlpool</b> Chrome (TRC) <b>\$270</b> , Brushed Nickel (TRBN) <b>\$725</b> <b>For Ultra Whirlpool</b> Chrome (TRCU) <b>\$370</b> , Brushed Nickel (TRBNU) <b>\$960</b> <i>Other finishes available.</i>	
<b>Ozonator</b> (OZONE) <b>\$515</b> <i>Cannot be added to soakers or airbaths without combination hydrotherapy package or HTISOAK.</i>	

**Installation Options** *Must be ordered at time of purchase.*

<b>Pre-Leveled Foam Base</b> (PLFOAM) <b>\$295</b> All airbaths include a pre-leveled foam base.	
<b>Pre-Leveled Frame and Foam Base</b> (PLF) <b>\$740</b>	
<b>Pre-Leveled Frame and Foam Base with Skirting</b> (Acrylic CXL™ tubs only) <i>For pricing and details go to mtbaths.com</i>	

<b>Tile Flange</b> <b>Factory-Installed on 3 sides</b> - rigid ABS (TFK3) <b>\$200</b> <b>Field Install Kit</b> - includes rigid ABS & adhesive (TFKNI) <b>\$185</b> <i>IMPORTANT: Must specify flange location(s) on order of Factory-Installed Flange. Not available with optional Low-Profile Rim.</i>	
--	--

**Drains & Overflow Kits** *Toe Tap Rectangular Overflow must be ordered at time of purchase*

<b>Cable Driven</b>	
<b>Drain Finishes</b> – PVC Drain Kit	
White/Biscuit (WOCDW) <b>\$440</b>	
Chrome (WOCD) <b>\$410</b>	
Brushed Nickel (WOCDBN) <b>\$490</b>	
Polished Nickel (WOCDPN) <b>\$540</b>	
Oil-Rubbed Bronze+ (WOCDOR) <b>\$550</b>	
Polished Brass (WOCDBR) <b>\$690</b>	
Special Finishes* (WOCDSF) <b>\$1,135</b> <i>MTI does not offer a brass body cable drain kit.</i>	

<b>Toe Tap</b>	
<b>Round Overflow</b> – PVC Drain Kit	
Chrome (WOTTC) <b>\$380</b>	
Brushed Nickel (WOTTBN) <b>\$385</b>	
Polished Nickel (WOTTPN) <b>\$385</b>	
Special Finishes* (WOTTSF) <b>\$1,145</b>	
<b>Round Overflow</b> – Solid Brass Drain	
Chrome (WOTTSBC) <b>\$810</b>	
Brushed Nickel (WOTTSBBN) <b>\$810</b>	
Polished Nickel (WOTTSBPN) <b>\$810</b>	

<b>Toe Tap</b>	
<b>Rectangular Overflow</b> – PVC Drain Kit	
Chrome (WOTRC) <b>\$470</b>	
Brushed Nickel (WOTRBN) <b>\$430</b>	
White (WOTRW) <b>\$525</b>	
<b>Lift &amp; Turn</b>	
<b>Drain Finishes</b> – PVC Drain Kit	
Chrome (WOC) <b>\$185</b>	
White (WOW) <b>\$245</b>	
Brushed Nickel (WOBN) <b>\$305</b>	

**Slim-Line Overflow with Toe Tap Drain** *Must be ordered at time of purchase.*

- Low profile overflow is factory installed
- Overflow measures 4.5" x 1"
- Provides a deeper soak
- Not available for commercial applications

<b>Slim-Line Overflow with Toe Tap Drain</b>	
PVC Drain	
Chrome (SLOTC) <b>\$500</b>	
Brushed Nickel (SLOTBN) <b>\$530</b>	
Polished Nickel (SLOTPN) <b>\$555</b>	
White (SLOTW) <b>\$430</b>	

<b>Slim-Line Overflow with Toe Tap Drain</b>	
Solid Brass Drain	
Chrome (SLOTSBC) <b>\$930</b>	
Brushed Nickel (SLOTSBBN) <b>\$935</b>	
Polished Nickel (SLOTSBPN) <b>\$935</b>	
White (SLOTSBW) <b>\$965</b>	

\* MTI has selected an oil-rubbed bronze finish that is compatible with Delta and many other manufacturers. To ensure best match, order as a Special Finish and submit a sample.

\* Allow 2-4 weeks lead time for Special Finishes. Send sample for best match.

