



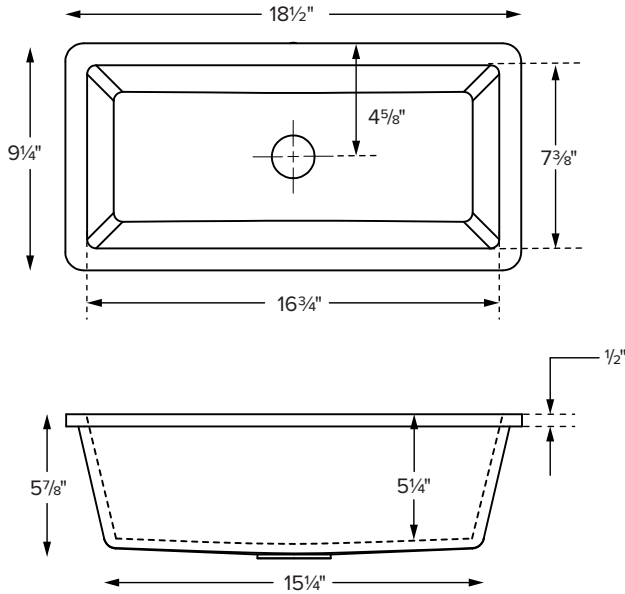
# Petra 14

Model # MTCS-775

18.5" x 9.25" x 5.875"

Bowl Size: 16.75" x 7.375"

**Material** SculptureStone®  
**Installation** undermount only  
**Shipping Weight** 20 lbs.



Due to its handcrafted nature, always measure sink on-site to ensure cut-out accuracy when undermounting.

Sink Options and Pricing
<b>Part #:</b> MTCS775 <b>\$950</b> <b>Packaging / Handling Fee Applies</b>
<b>Standard Color</b> White, matte finish <b>Biscuit Color Upgrade</b> (SSBISNK) <b>\$125</b> matte finish Additional material colors available for projects only. Please call MTI.
<b>Hand-Polished Deep Gloss Finish Upcharge</b> (SSGLOSSSNK2) <b>\$555</b> For White or Biscuit
<b>Quick Ship</b> (QSPRI3) <b>\$255</b> reduces lead time Please call for availability.
Options and Accessories
<b>Drain Kits</b>
<b>Integrated Overflow no charge</b> Rear Overflow (SINKIOR), Front Overflow (SINKIOF)
<b>Finger Touch Drain With Overflow</b> Chrome (DKFGC) <b>\$185</b> , Brushed Nickel (DKFGBN) <b>\$180</b>
<b>Finger Touch Drain Without Overflow</b> Chrome (DKFGCN) <b>\$185</b> , Brushed Nickel (DKFGBNN) <b>\$190</b>
<b>Grid Drain With Overflow</b> Chrome (DKGDC) <b>\$130</b> , Brushed Nickel (DKGDBN) <b>\$180</b>
<b>Grid Drain Without Overflow</b> Chrome (DKGDCN) <b>\$115</b> , Brushed Nickel (DKGDBNN) <b>\$180</b>
<b>Fixed Drain Without Overflow</b> Chrome (DKFDC) <b>\$300</b>

## CONSTRUCTION AND STANDARD FEATURES

- 1.5" drain opening. Comes without an overflow. Check local codes.
- Undermount only. Measure on site to achieve the proper cut-out size.
- Lip detail will accommodate commonly used undermount hardware. Undermount hardware is not included.
- One-piece construction using Engineered SculptureStone® (ESS) material.
- This material is non-porous, stain-, mold- and mildew-resistant.
- Approximately 70% of the material is organic, including minerals mined from the earth, making it "Green".
- Five-Year Limited Residential Warranty.

• Before discarding packaging, check for accessories that may be inside.  
 • All product measurements are ±1/2".  
 • Specifications and configurations are subject to change without notice.  
 • Measurements herein supersede all others published prior to publication date below.

